



US00D541848S

(12) **United States Design Patent**
King et al.

(10) **Patent No.:** **US D541,848 S**

(45) **Date of Patent:** **** May 1, 2007**

(54) **PRINT MEDIA STORAGE TRAY**

(75) Inventors: **Tobin Allen King**, Balmain (AU); **Kia Silverbrook**, Balmain (AU)

(73) Assignee: **Silverbrook Research Pty Ltd**, Balmain, NSW (AT)

(**) Term: **14 Years**

(21) Appl. No.: **29/219,498**

(22) Filed: **Dec. 20, 2004**

(51) **LOC (8) Cl.** **16-03**

(52) **U.S. Cl.** **D18/44**

(58) **Field of Classification Search** D18/36-41, D18/43-49, 56; D14/462-471; 222/DIG. 1; 355/97, 112; 399/16-23, 361, 363, 381-384, 399/388-391, 393; 271/3.02, 3.08, 18, 145, 271/160, 171, 226, 241, 264

See application file for complete search history.

(56) **References Cited**

U.S. PATENT DOCUMENTS

D302,007 S	*	7/1989	Hara et al.	D18/36
5,166,812 A	*	11/1992	Dow et al.	358/498
D339,152 S	*	9/1993	Hirose et al.	D18/39
D355,925 S	*	2/1995	Saunders et al.	D18/39
5,947,466 A	*	9/1999	Romine	271/34
D415,192 S	*	10/1999	Laidlaw	D18/49
D454,153 S	*	3/2002	Ogawa et al.	D18/40
D475,399 S	*	6/2003	Todd	D18/49

D475,400 S	*	6/2003	Todd	D18/49
D480,418 S	*	10/2003	Evers	D18/55
D491,220 S	*	6/2004	Whitehorn et al.	D18/50
2005/0100362 A1	*	5/2005	Kim et al.	399/388

* cited by examiner

Primary Examiner—Robert M. Spear
Assistant Examiner—Garth Rademaker

(57) **CLAIM**

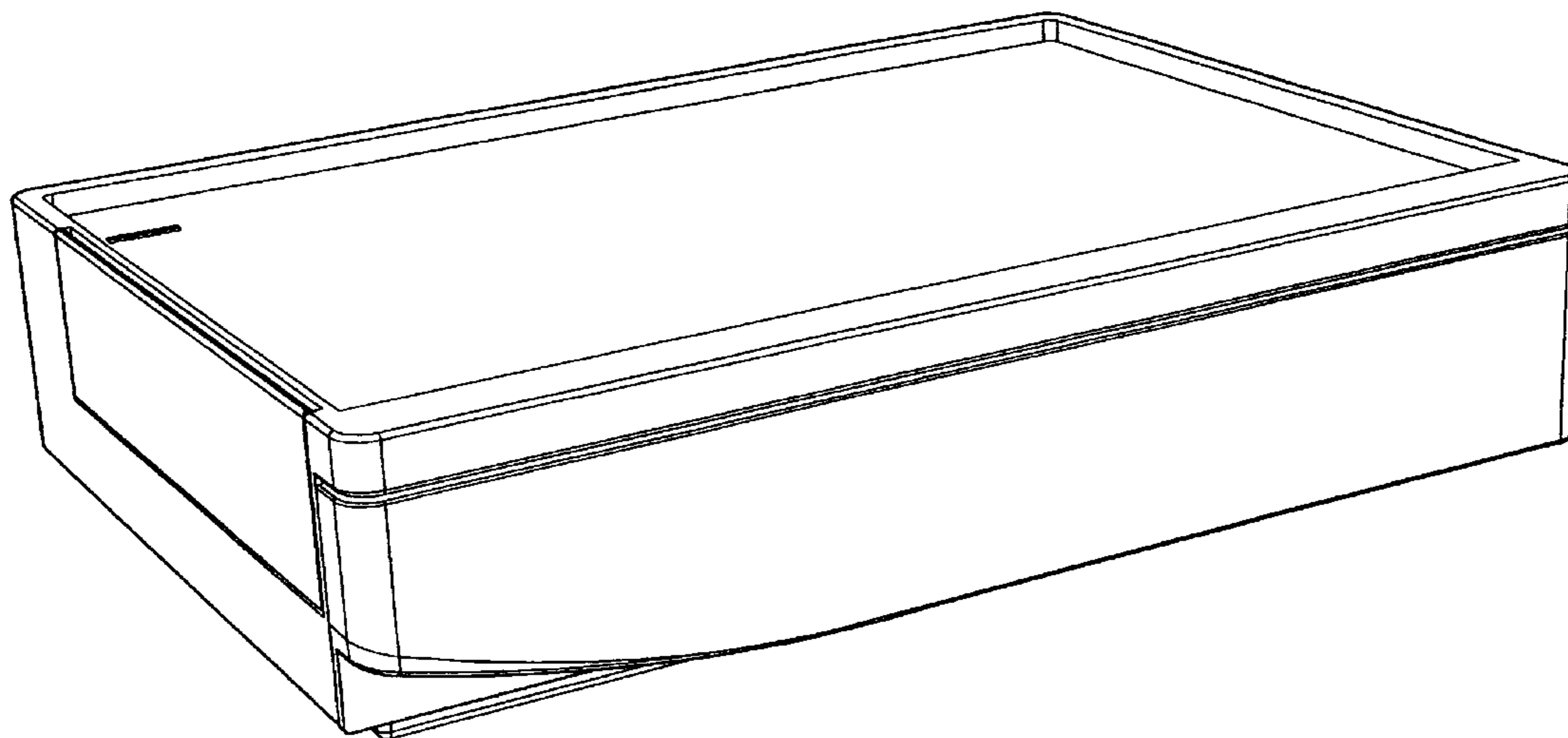
The ornamental design for a print media storage tray, as shown and described.

DESCRIPTION

FIG. 1 is a front and left side perspective view of a print media storage tray, showing our new design; FIG. 2 is a rear and right side perspective view thereof; FIG. 3 is a front elevational view thereof; FIG. 4 is a rear elevational view thereof; FIG. 5 is a left side elevational view thereof, shown at enlarged scale; FIG. 6 is a right side elevational view thereof; FIG. 7 is a top plan view thereof, shown at reduced scale; FIG. 8 is a bottom plan view thereof; FIG. 9 is a second front and right side perspective view thereof, shown at reduced scale; and, FIG. 10 is a second rear and left side perspective view thereof.

The broken line showing in FIGS. 9 and 10 is for illustrative purposes only and form no part of the claimed design.

1 Claim, 10 Drawing Sheets



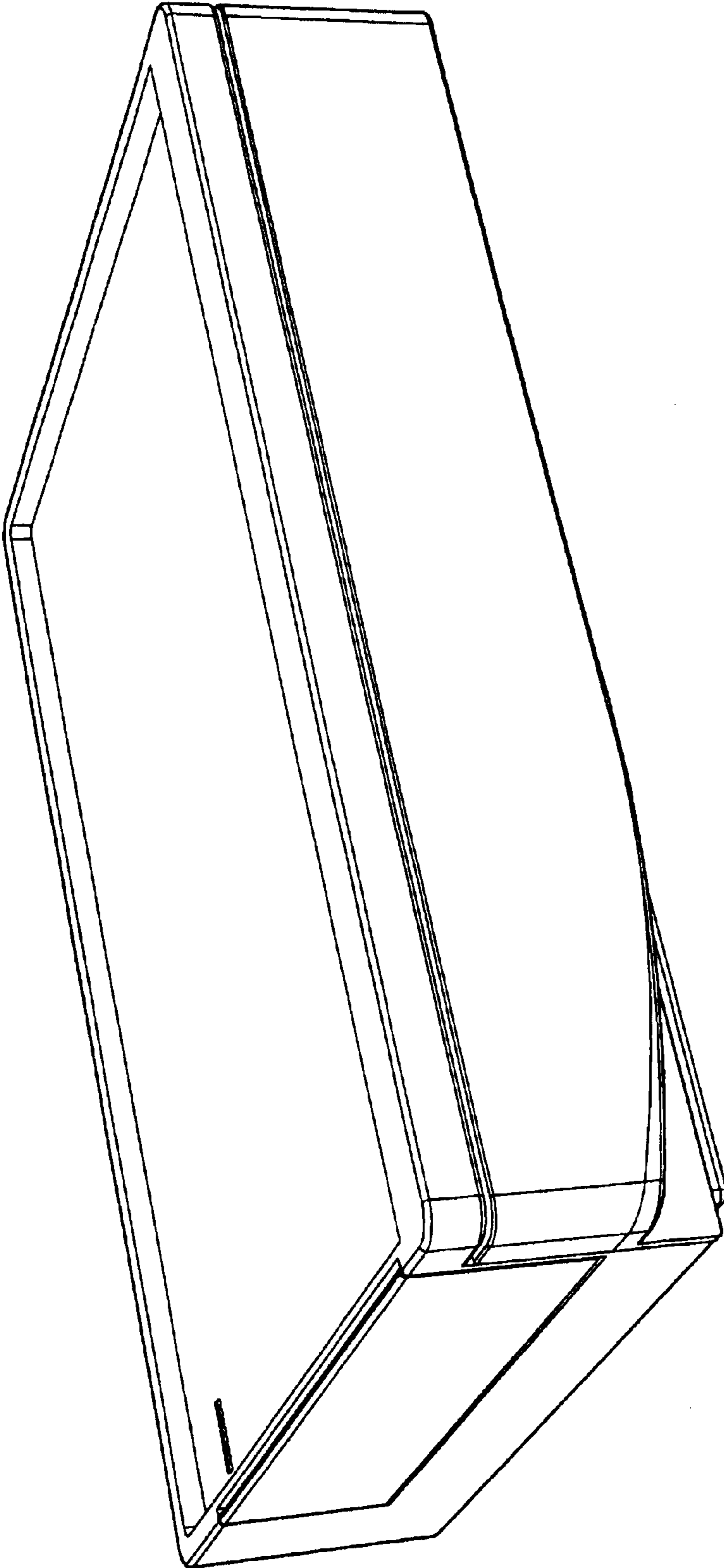


FIG. 1

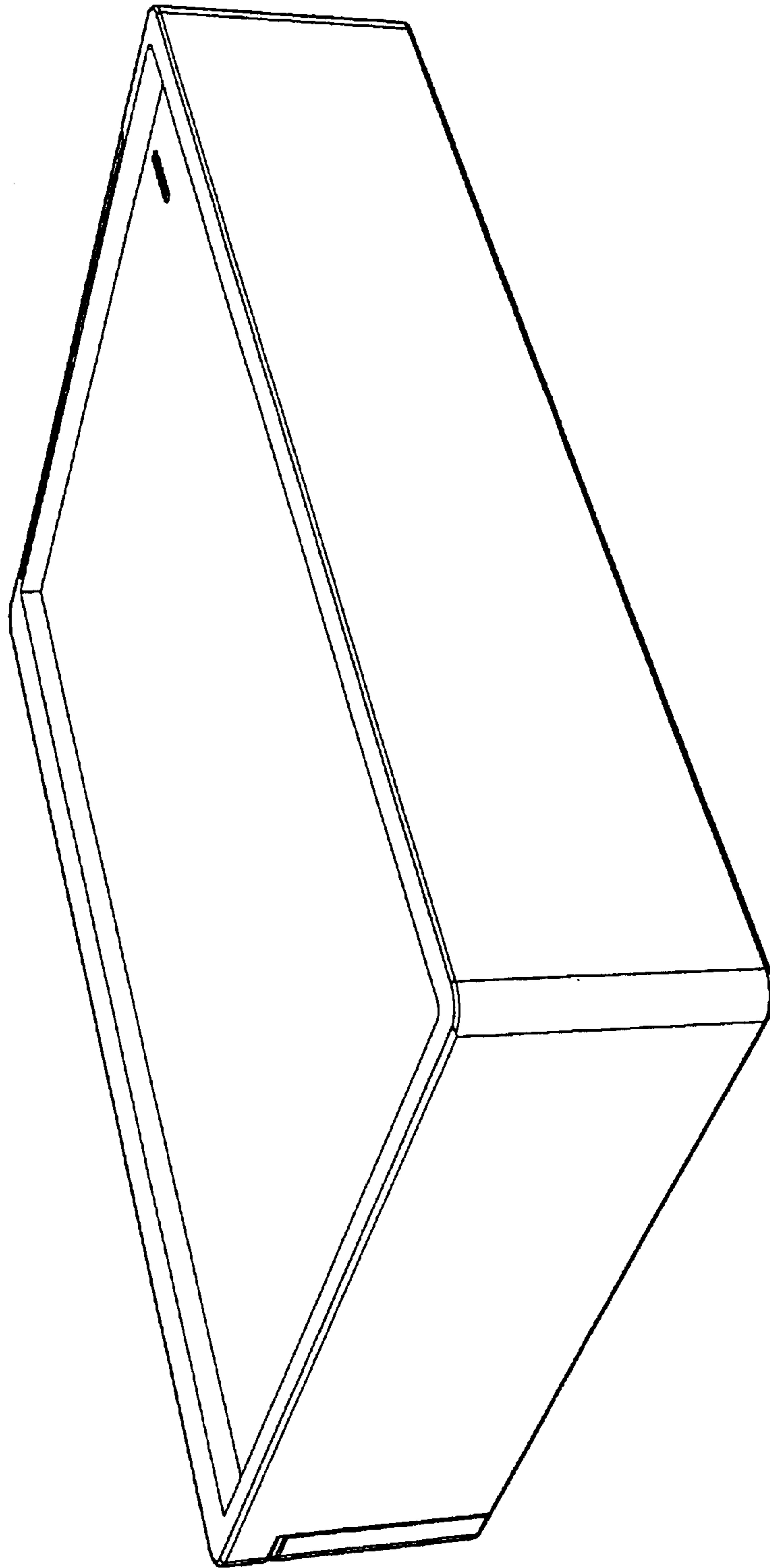


FIG. 2

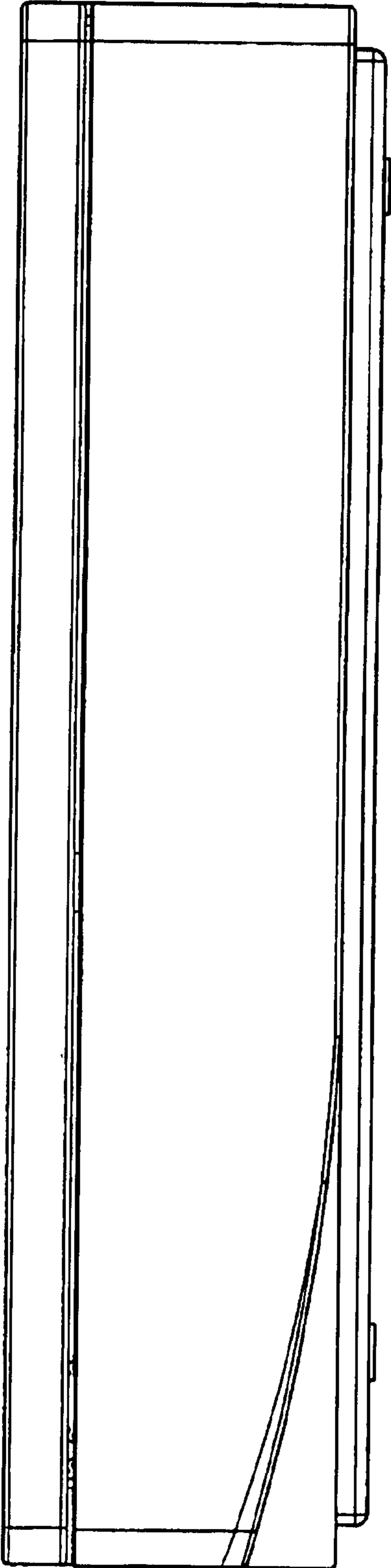


FIG. 3

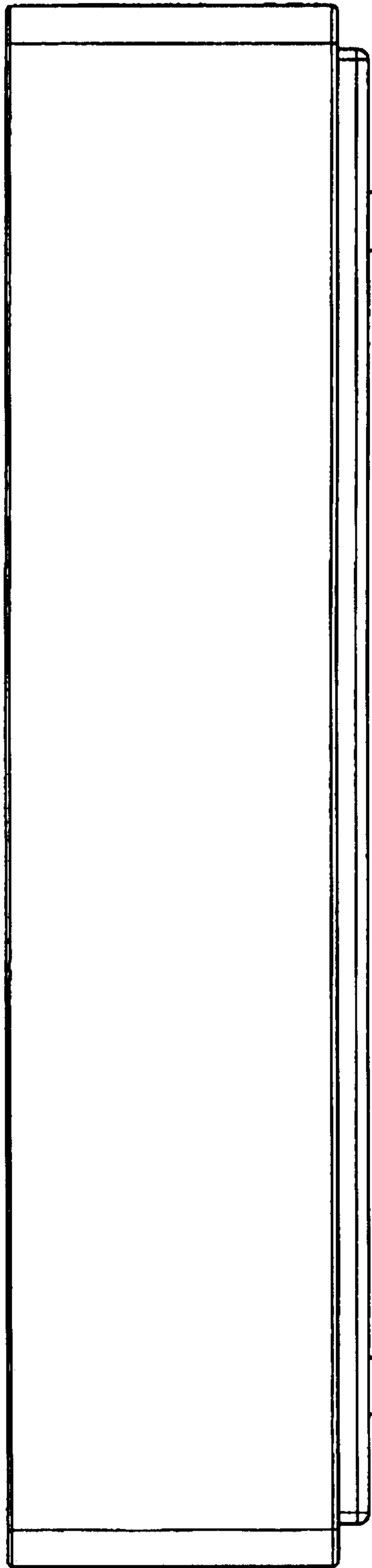


FIG. 4

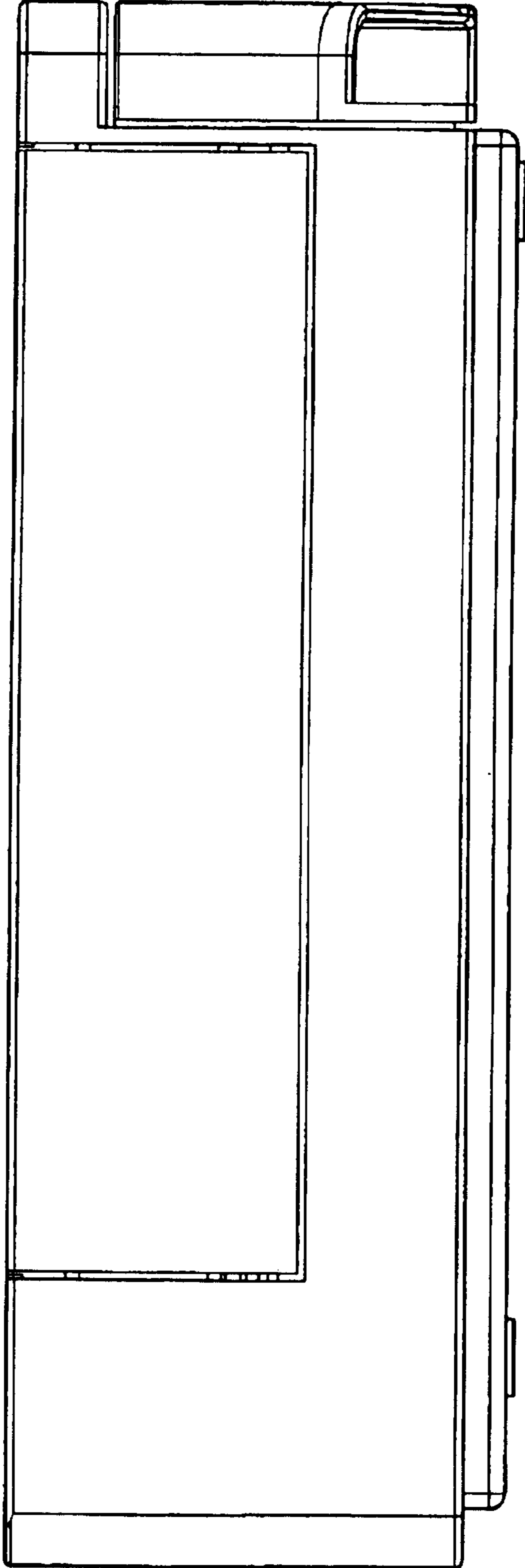


FIG. 5

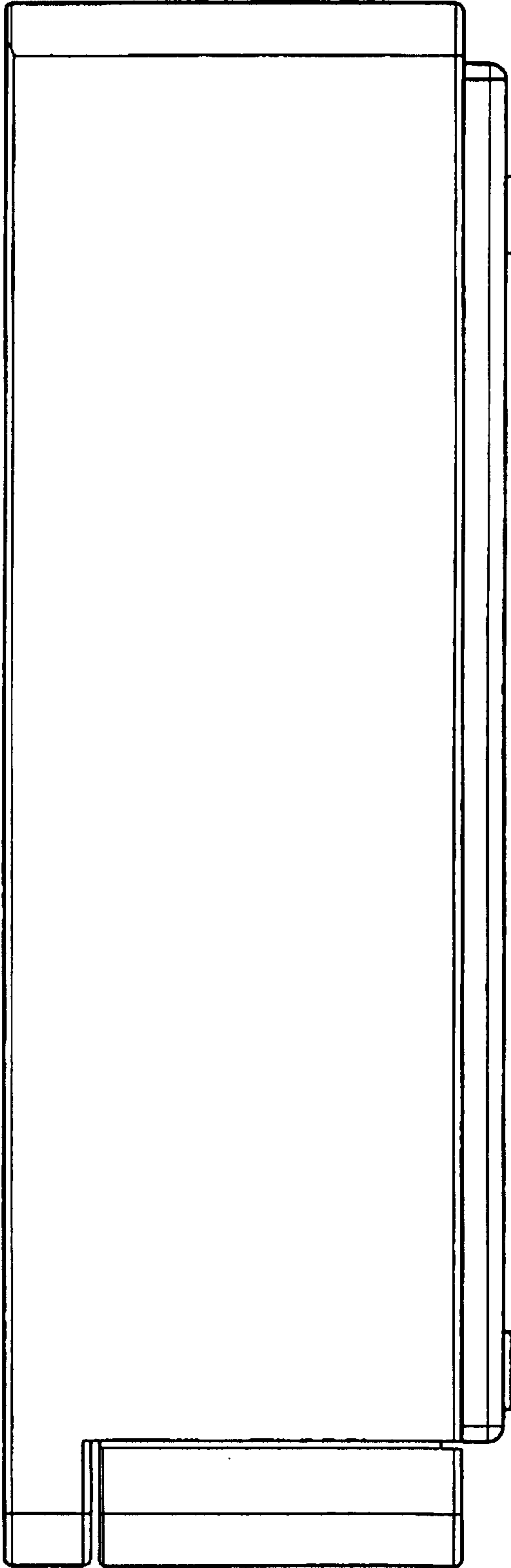


FIG. 6

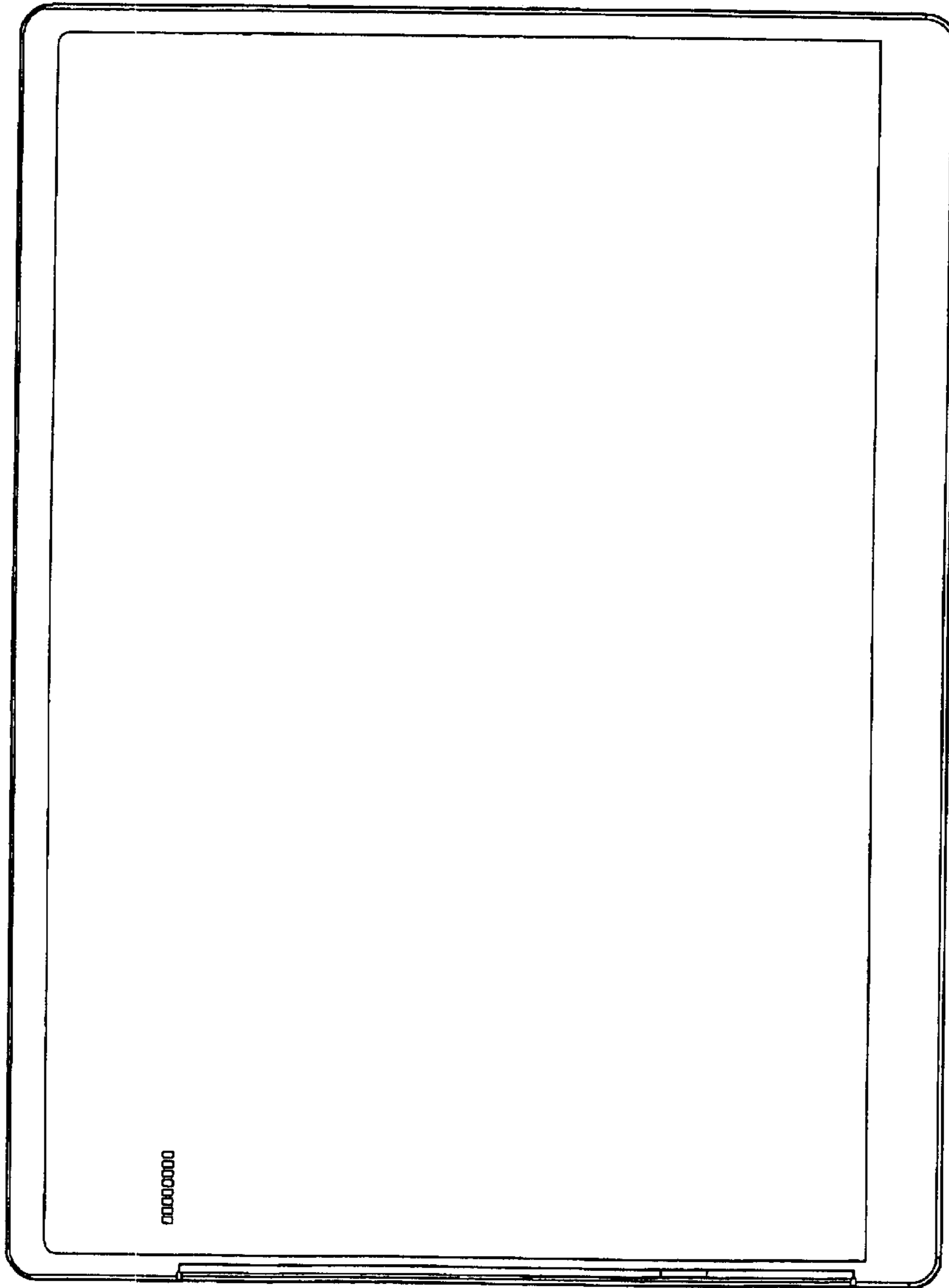


FIG. 7

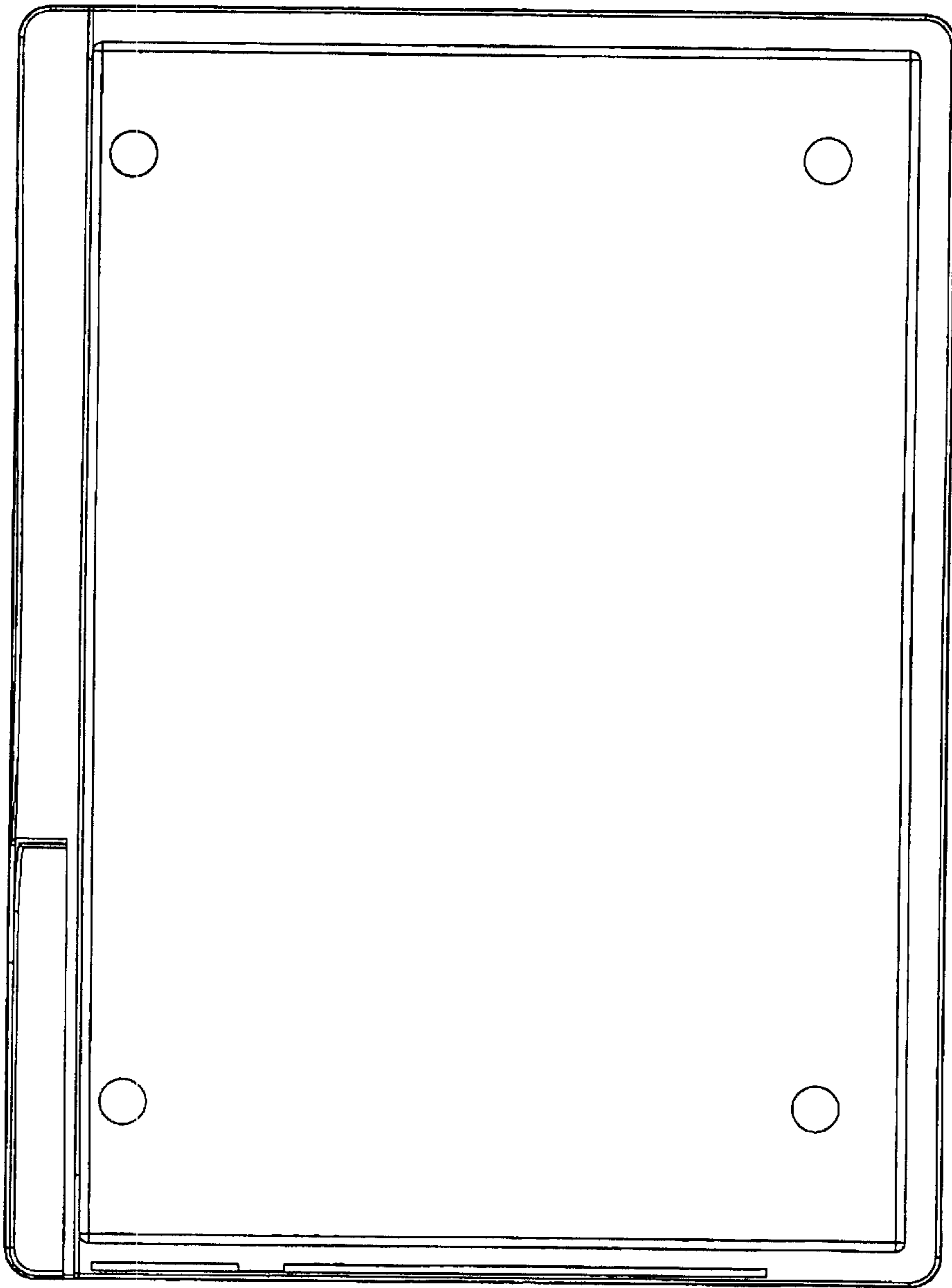


FIG. 8

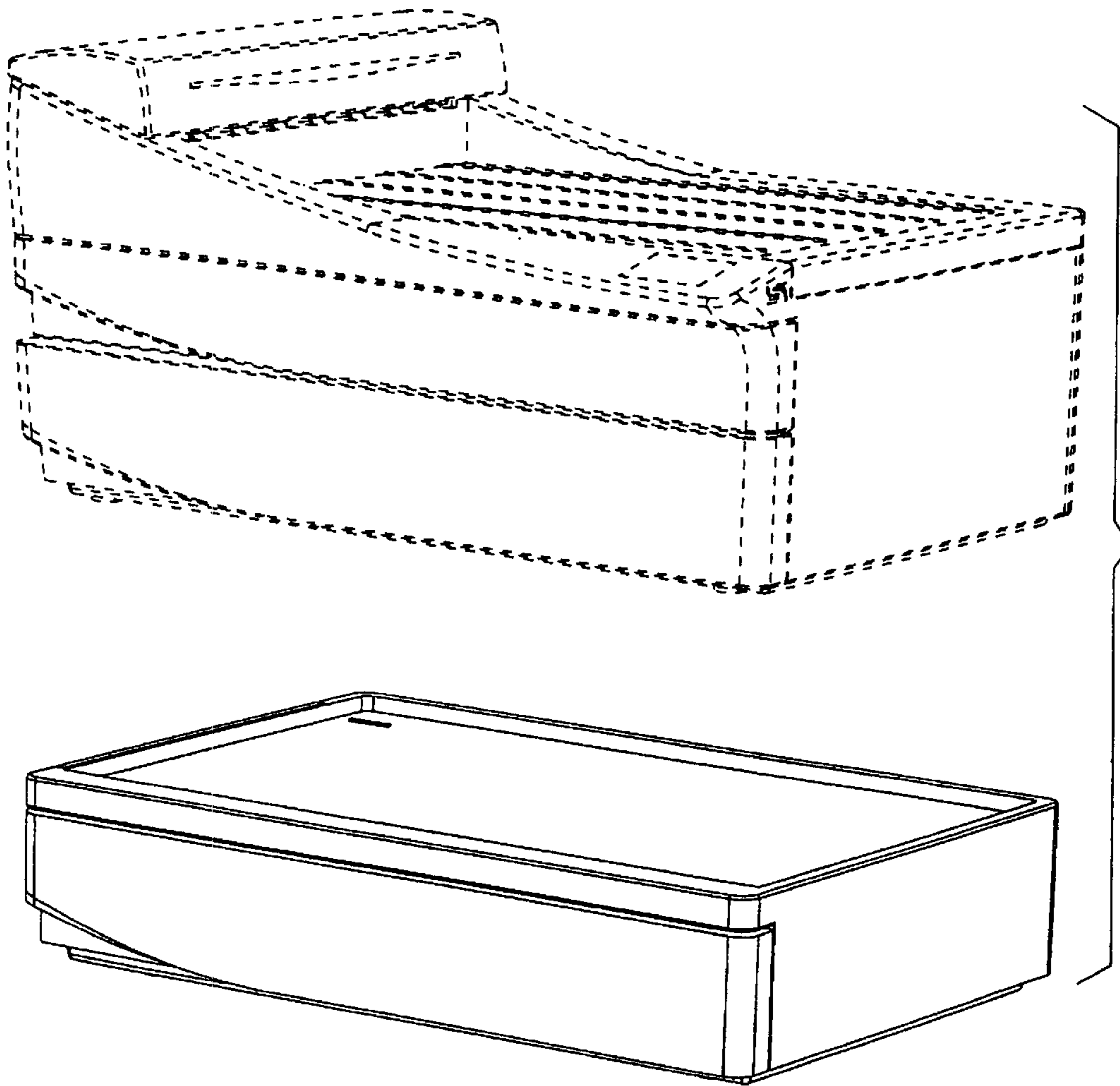


FIG. 9

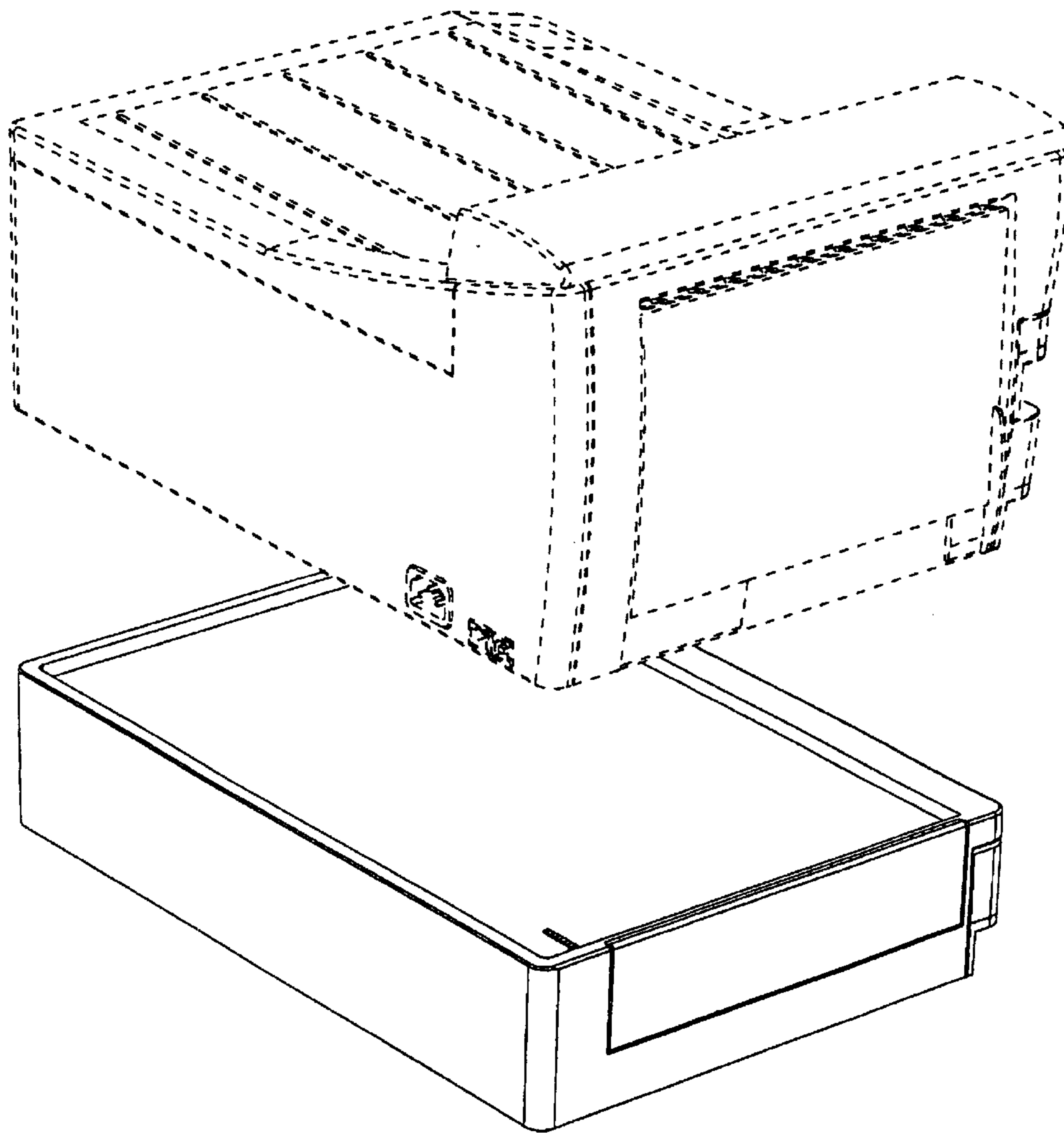


FIG. 10