



US00D541847S

(12) **United States Design Patent**
Katsuyama

(10) **Patent No.:** **US D541,847 S**

(45) **Date of Patent:** **** May 1, 2007**

(54) **TONER CARTRIDGE**

(75) Inventor: **Goro Katsuyama**, Kanagawa (JP)

(73) Assignee: **Ricoh Company, Ltd.**, Tokyo (JP)

(**) Term: **14 Years**

(21) Appl. No.: **29/223,440**

(22) Filed: **Feb. 15, 2005**

(30) **Foreign Application Priority Data**

Aug. 16, 2004 (JP) 2004-024486

(51) **LOC (8) Cl.** **16-03**

(52) **U.S. Cl.** **D18/43**

(58) **Field of Classification Search** D18/12,
D18/36, 40, 43, 56, 58; D14/462, 471; 222/DIG. 1;
347/214, 222; 399/120, 121, 168, 239, 279,
399/313, 357; 400/207, 208, 208.1
See application file for complete search history.

(56) **References Cited**

U.S. PATENT DOCUMENTS

D333,832 S	*	3/1993	Suzuki et al.	D18/40
D341,157 S	*	11/1993	Kitahara et al.	D18/56
D366,278 S	*	1/1996	Nagashima	D18/43
D373,787 S	*	9/1996	Isomoto et al.	D18/40
D394,451 S	*	5/1998	Okada	D18/43
D413,621 S	*	9/1999	Ichimaru et al.	D18/43
D451,542 S	*	12/2001	Ishizawa et al.	D18/56
D455,455 S	*	4/2002	Katsuyama	D18/43
D455,778 S	*	4/2002	Katsuyama	D18/43
D468,346 S	*	1/2003	Jeunet	D18/56
6,532,352 B2	*	3/2003	Katsuyama	399/120

6,542,707 B2	*	4/2003	Muramatsu et al.	...	222/DIG. 1
6,785,496 B2	*	8/2004	Iwata et al.	399/120
D505,695 S	*	5/2005	Naraoka	D18/43
7,110,704 B2	*	9/2006	Sudo et al.	222/DIG. 1
7,130,558 B2	*	10/2006	Matsumoto et al.	...	222/DIG. 1
2005/0031375 A1	*	2/2005	Sasatani et al.	399/120

* cited by examiner

Primary Examiner—Caron D. Veynar

Assistant Examiner—Garth Rademaker

(74) *Attorney, Agent, or Firm*—Dickstein Shapiro LLP

(57) **CLAIM**

The ornamental design for a toner cartridge, as shown and described.

DESCRIPTION

FIG. 1 is a front elevational view of a toner cartridge according to the present invention;
 FIG. 2 is a rear elevational view thereof;
 FIG. 3 is a bottom plan view thereof;
 FIG. 4 is a right side elevational view thereof;
 FIG. 5 is a top, front and right side perspective view thereof;
 FIG. 6 is a top, front and right side perspective view thereof, shown with the environment removed;
 FIG. 7 is a front elevational view thereof;
 FIG. 8 is a top plan view thereof;
 FIG. 9 is a bottom plan view thereof; and,
 FIG. 10 is a right side elevational view thereof.
 The broken line showing in the drawings is included for the illustrative purposes only and forms no part of the claimed design.

1 Claim, 6 Drawing Sheets

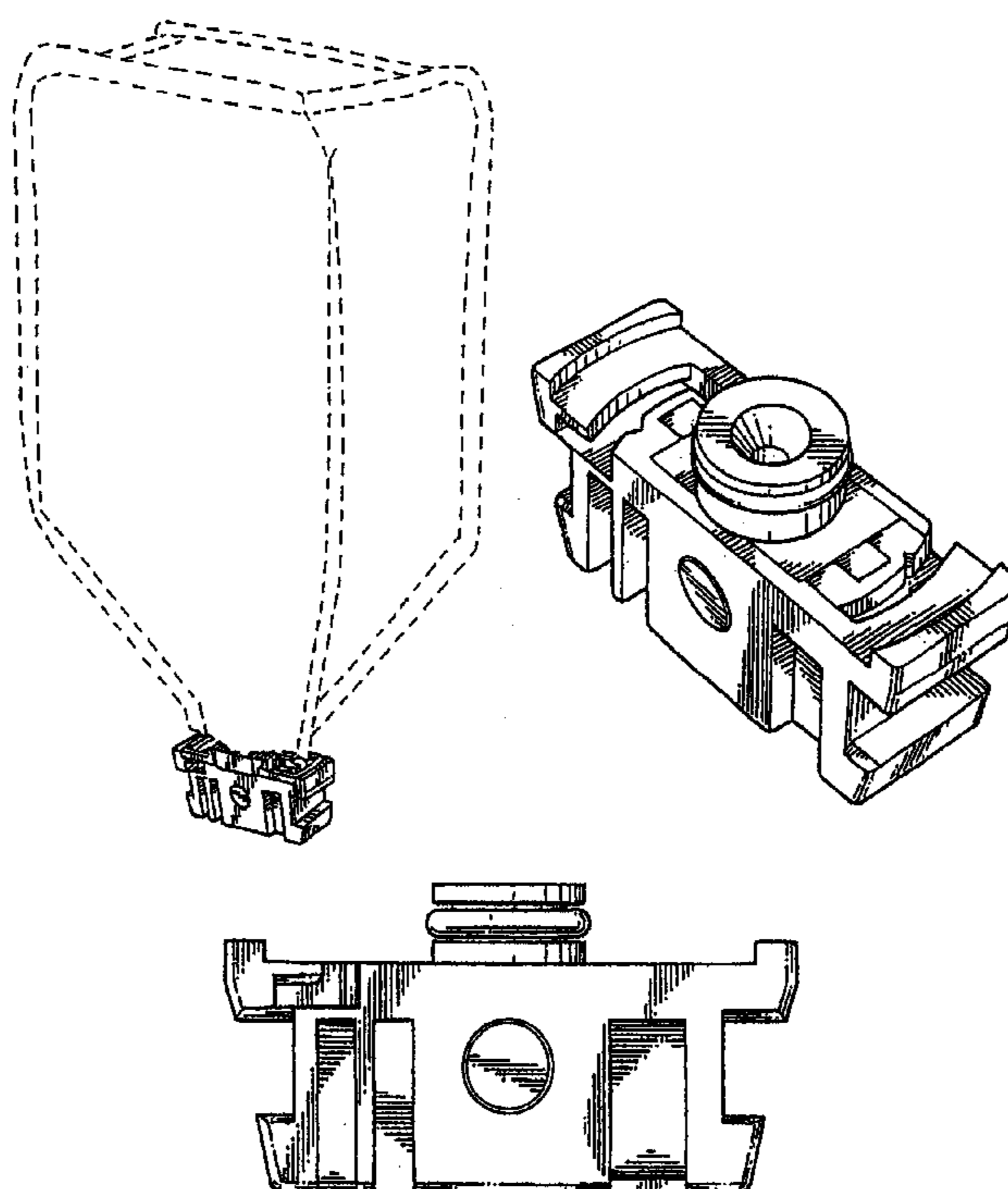


FIG. 1

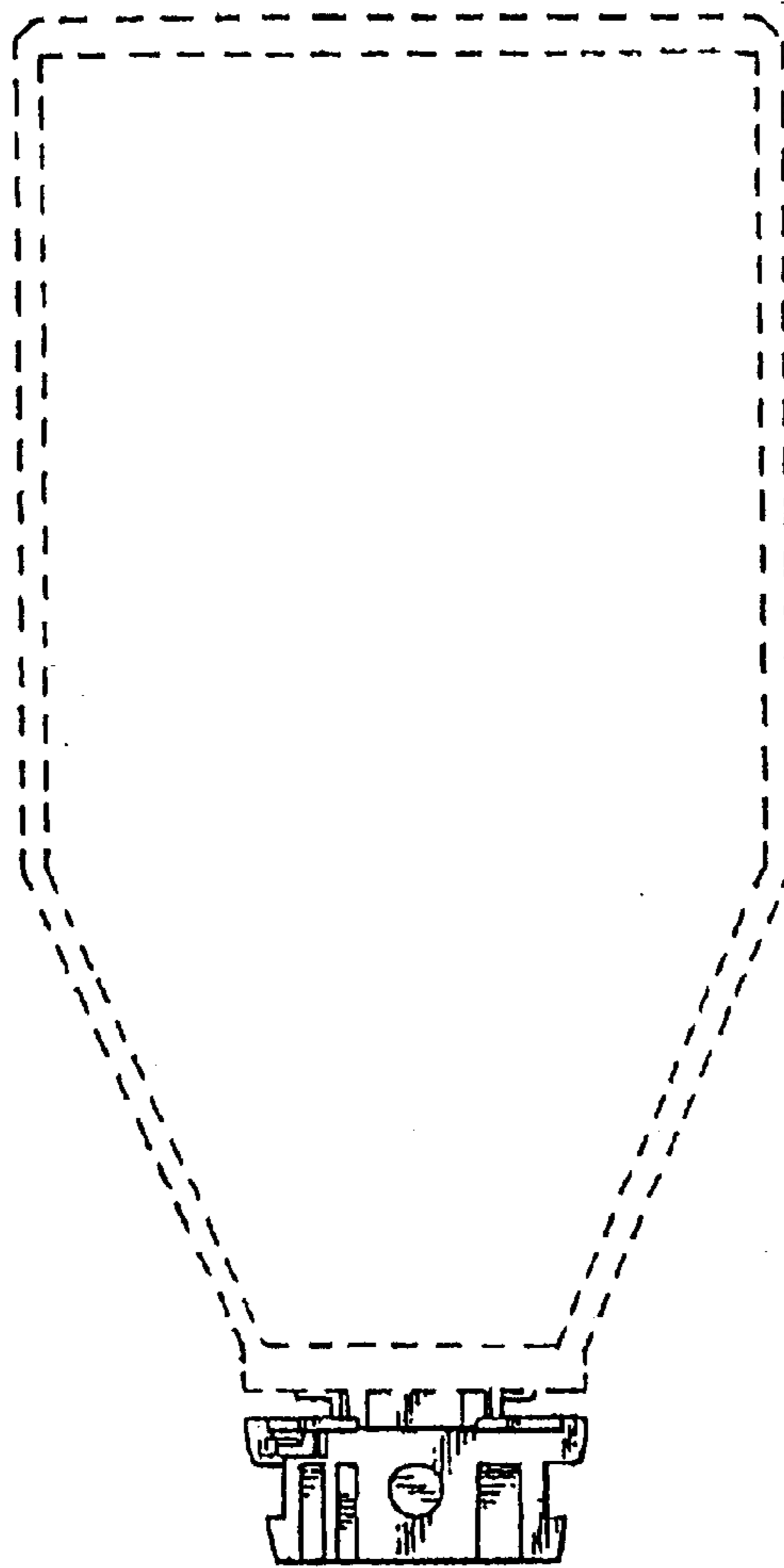


FIG. 2

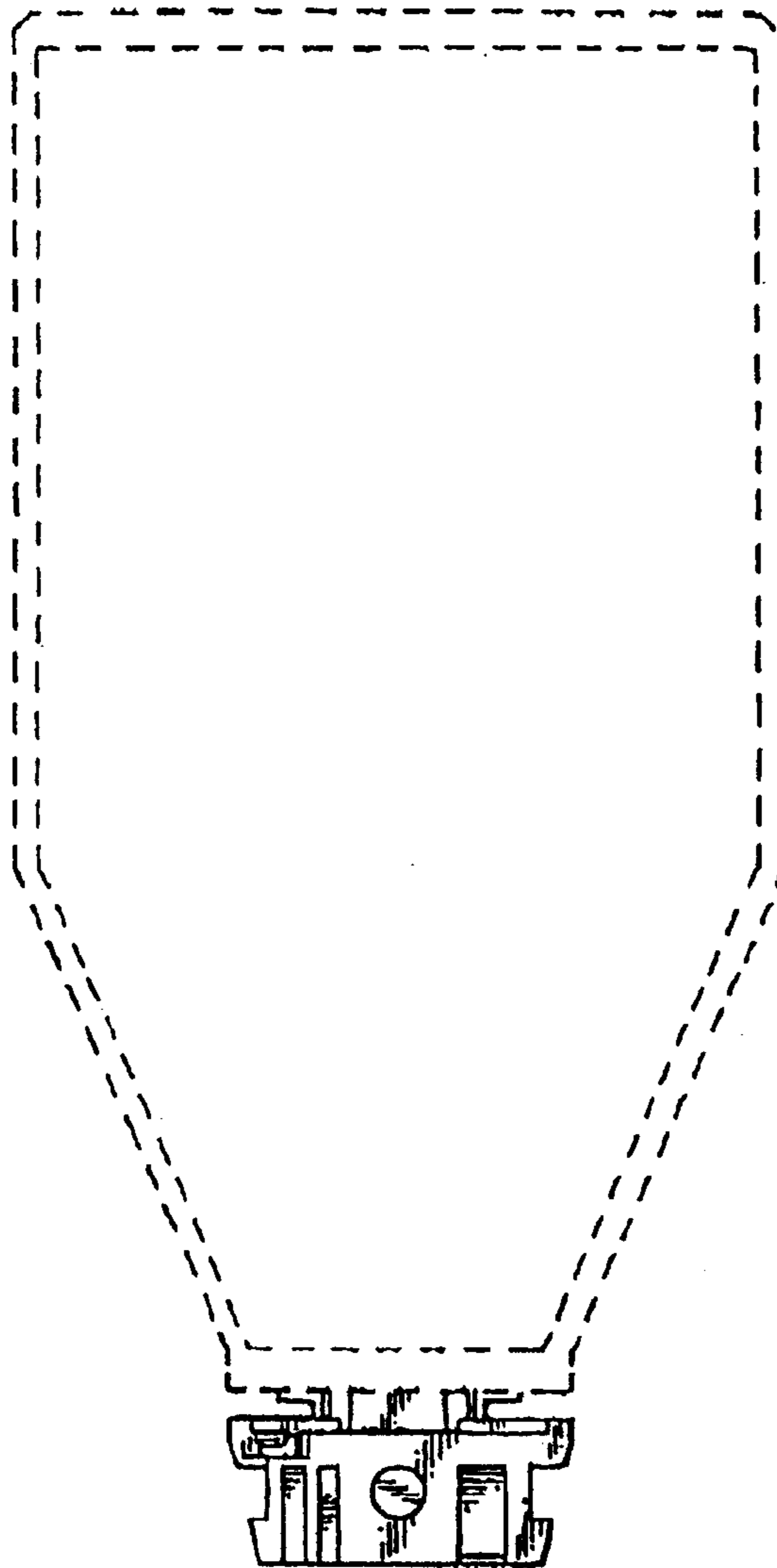


FIG. 3

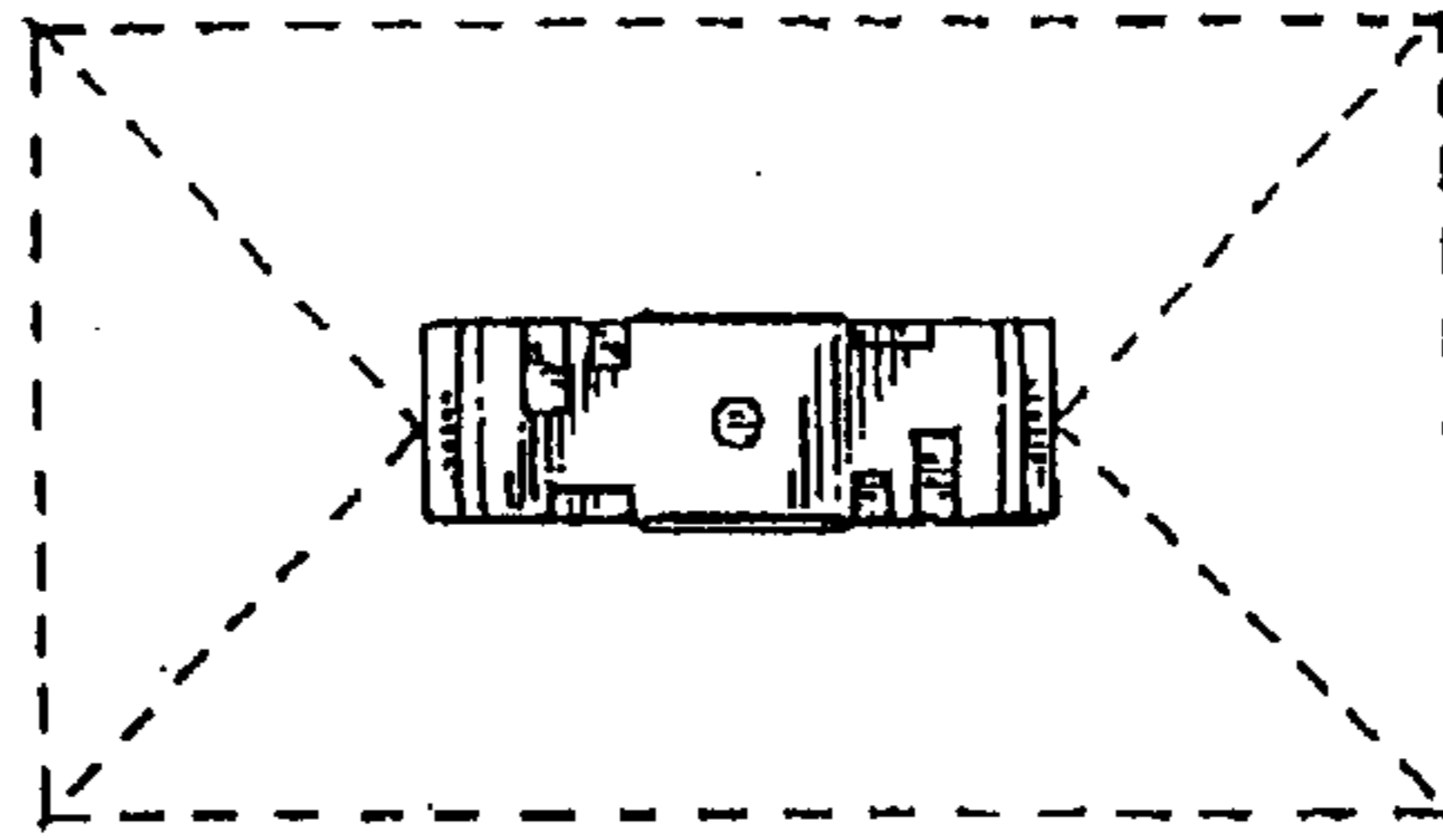


FIG. 4

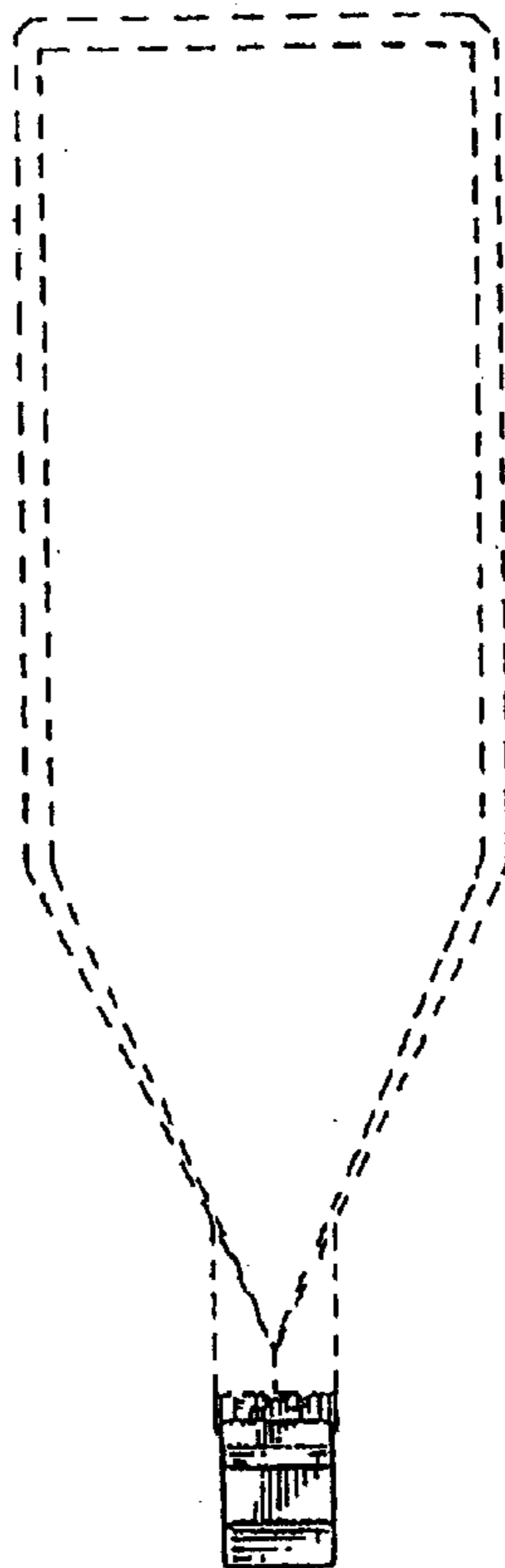


FIG. 5

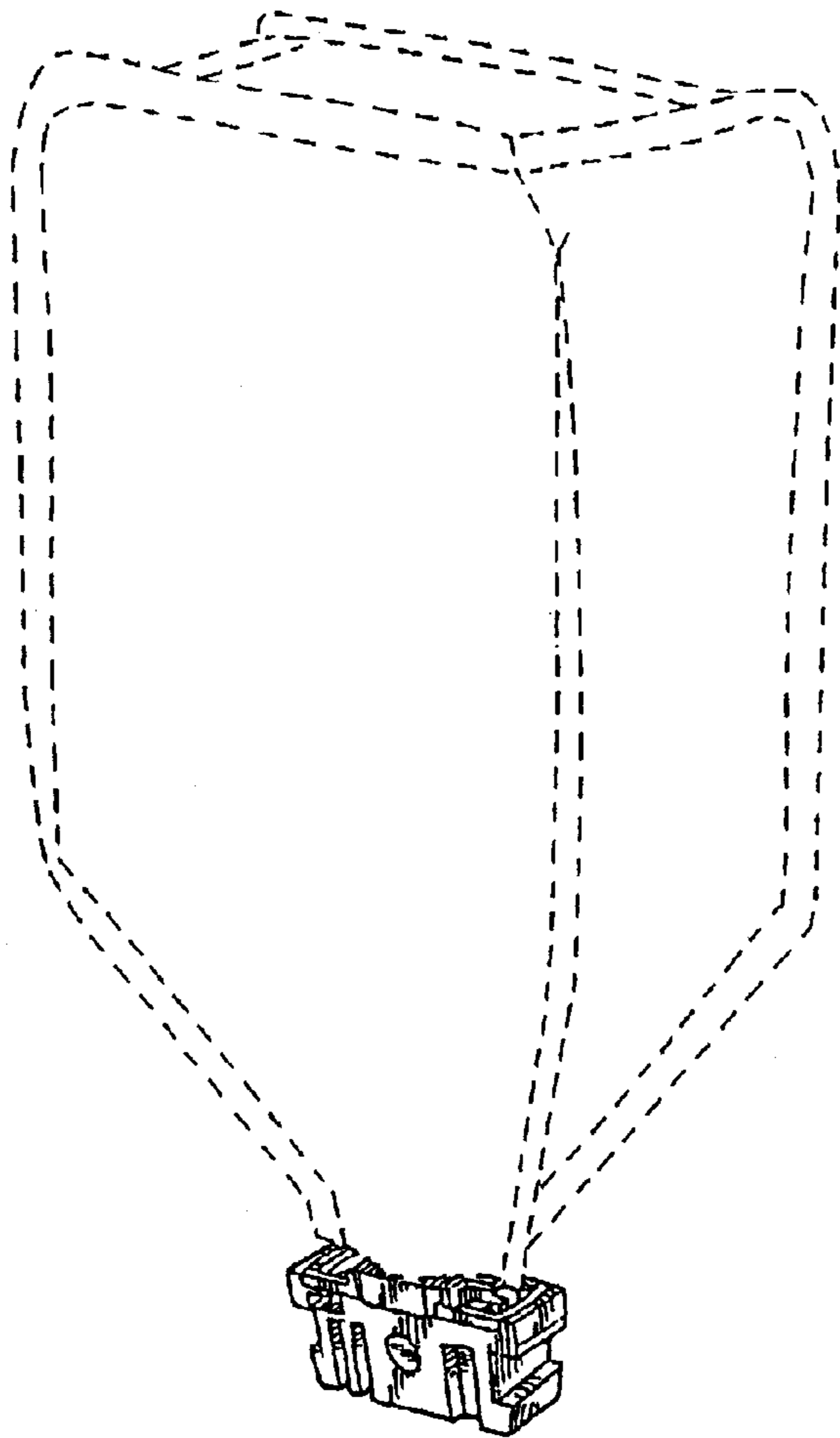


FIG. 6

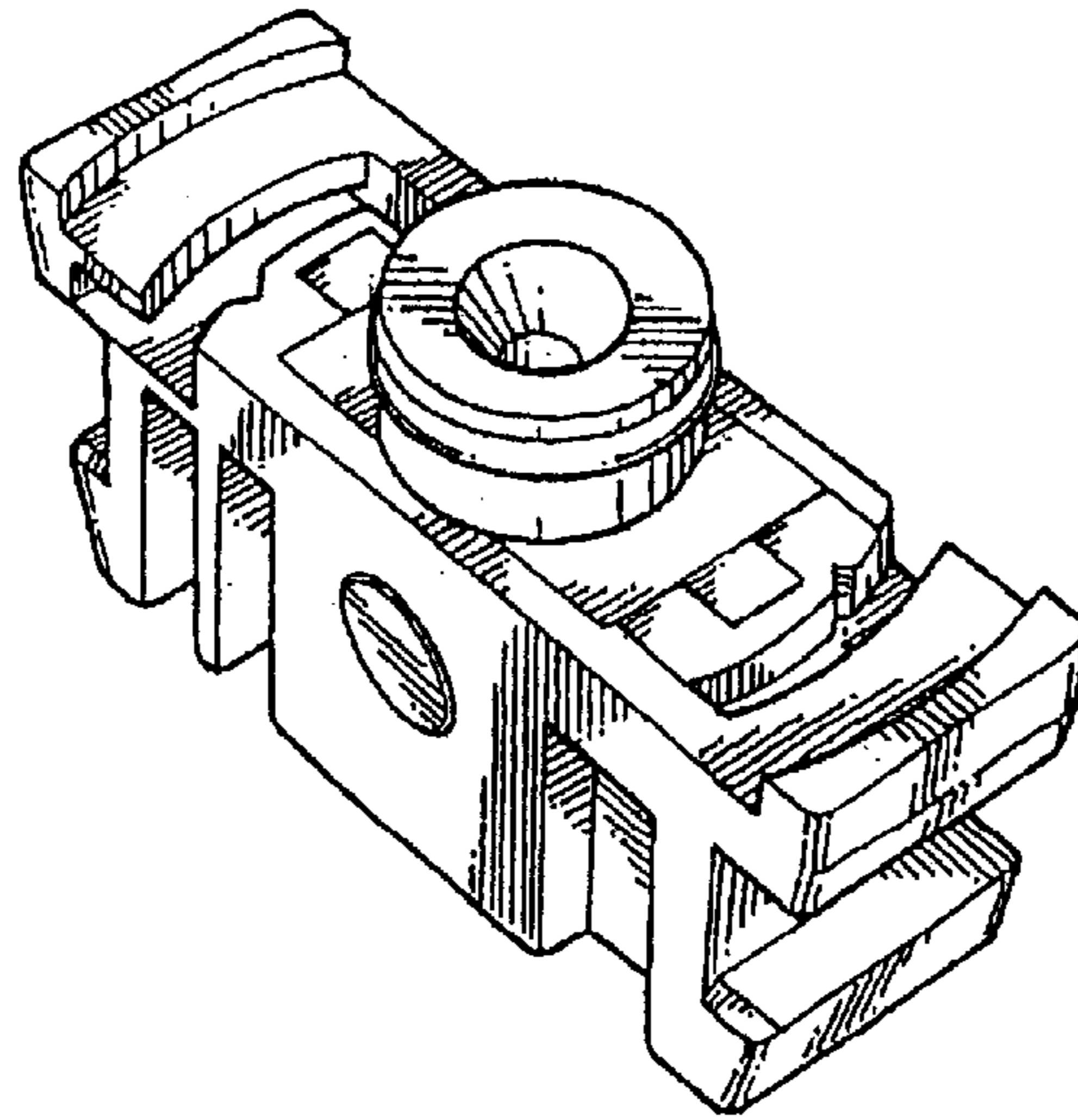


FIG. 7

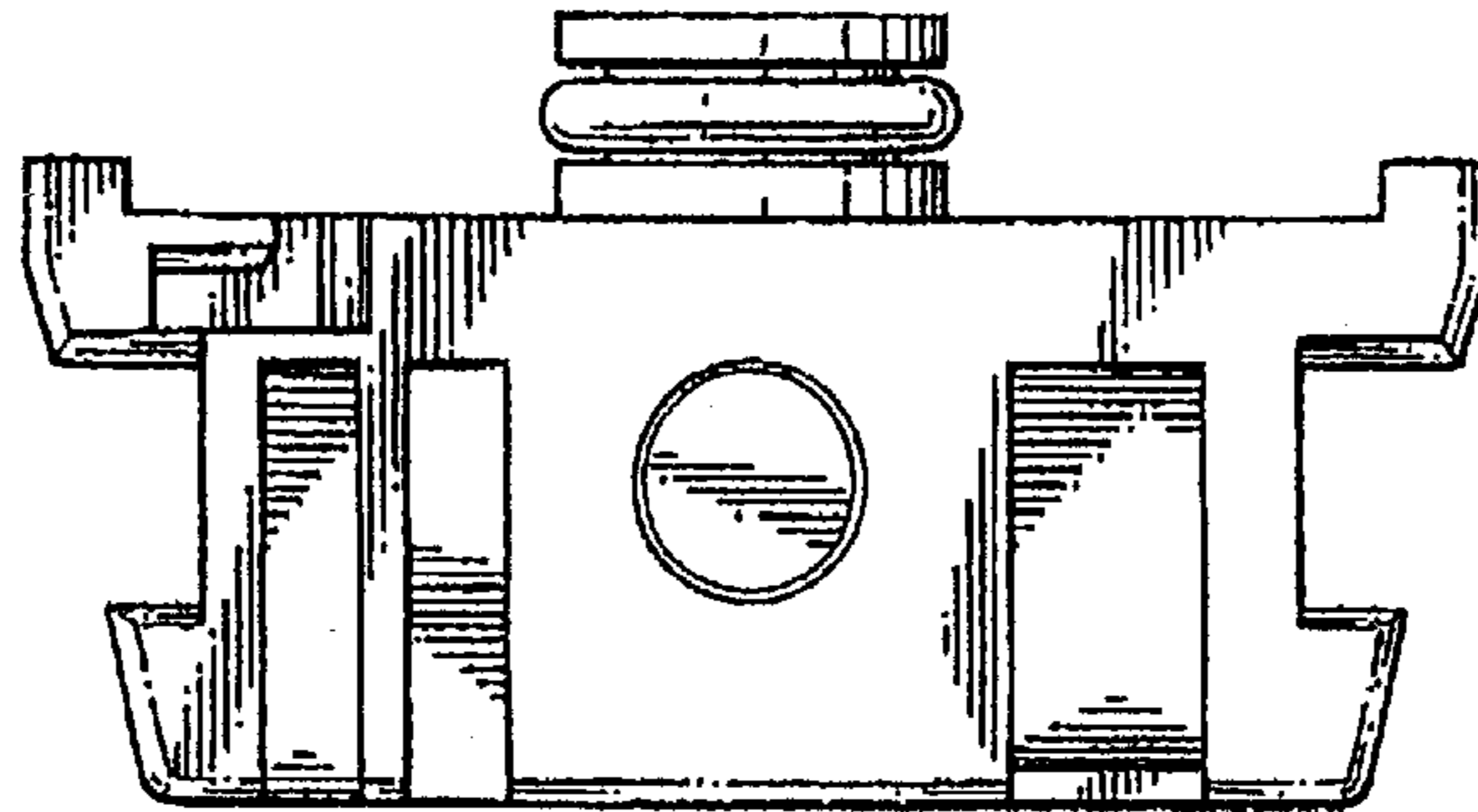


FIG. 8

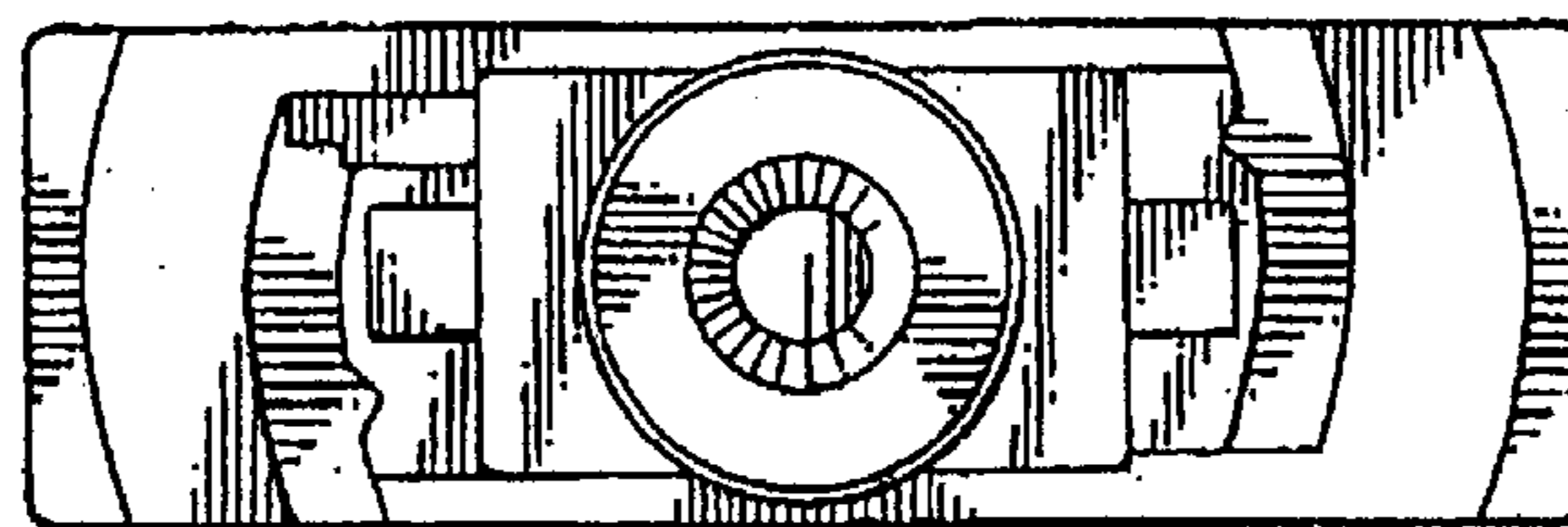


FIG. 9

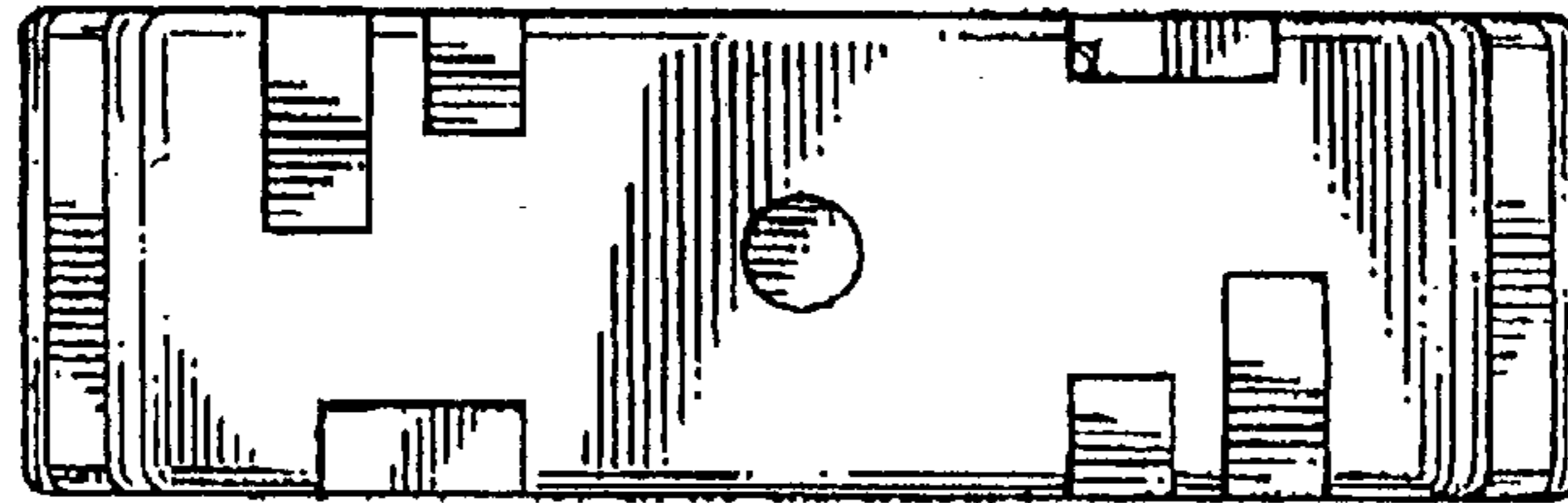


FIG. 10

