



US00D541842S

(12) **United States Design Patent**  
**Sezaki**

(10) **Patent No.:** **US D541,842 S**

(45) **Date of Patent:** **\*\* May 1, 2007**

(54) **SHREDDER**

(75) Inventor: **Koji Sezaki**, Osaka (JP)

(73) Assignee: **Nakabayashi Co., Ltd.**, Osaka (JP)

(\*\*) Term: **14 Years**

(21) Appl. No.: **29/227,987**

(22) Filed: **Apr. 12, 2005**

(51) **LOC (8) Cl.** ..... **18-04**

(52) **U.S. Cl.** ..... **D18/34.5**

(58) **Field of Classification Search** ..... D18/34.1-34.9,  
D18/99, 54, 50, 56; 83/167, 289, 302, 203,  
83/523, 633; 241/169.1, 154, 157, 222, 224,  
241/168, 284, 295, 37.5, 285.1, 285.2, 100,  
241/236; D8/99, 105; D7/381, 383; D14/356,  
D14/443, 441; D13/83, 84; D19/65, 72  
See application file for complete search history.

(56) **References Cited**

**U.S. PATENT DOCUMENTS**

D147,106 S	*	7/1947	Bradstock et al. ....	D13/184
D161,056 S		11/1950	Sargent	
D186,836 S	*	12/1959	Jorgenson .....	D7/383
D325,043 S	*	3/1992	Widdison .....	D18/34.5
D326,866 S	*	6/1992	Widdison .....	D18/34.5
D329,055 S	*	9/1992	Krause et al. ....	D18/34.5
D362,866 S	*	10/1995	Johansson .....	D18/34.4
5,692,424 A	*	12/1997	Wallace .....	83/167
D414,198 S		9/1999	Iwata	
D426,805 S	*	6/2000	Iwata .....	D18/34.4
D434,433 S	*	11/2000	Hung .....	D18/34.5
6,164,573 A	*	12/2000	Li-Ming .....	241/100
6,390,398 B1	*	5/2002	Wu Huang .....	241/100

**FOREIGN PATENT DOCUMENTS**

JP 1005211 3/1998

JP	1005212	3/1998
JP	1005213	3/1998
JP	1005211-1	2/1999
JP	1047851	8/1999
JP	1062516	3/2000
JP	1062518	3/2000
JP	1078124	7/2000
JP	1099013	1/2001
JP	1107082	4/2001

**OTHER PUBLICATIONS**

U.S. Appl. No. 29/226,236, filed Mar. 25, 2005.

\* cited by examiner

*Primary Examiner*—Charles A. Rademaker  
(74) *Attorney, Agent, or Firm*—Finnegan, Henderson, Farabow, Garrett & Dunner, L.L.P.

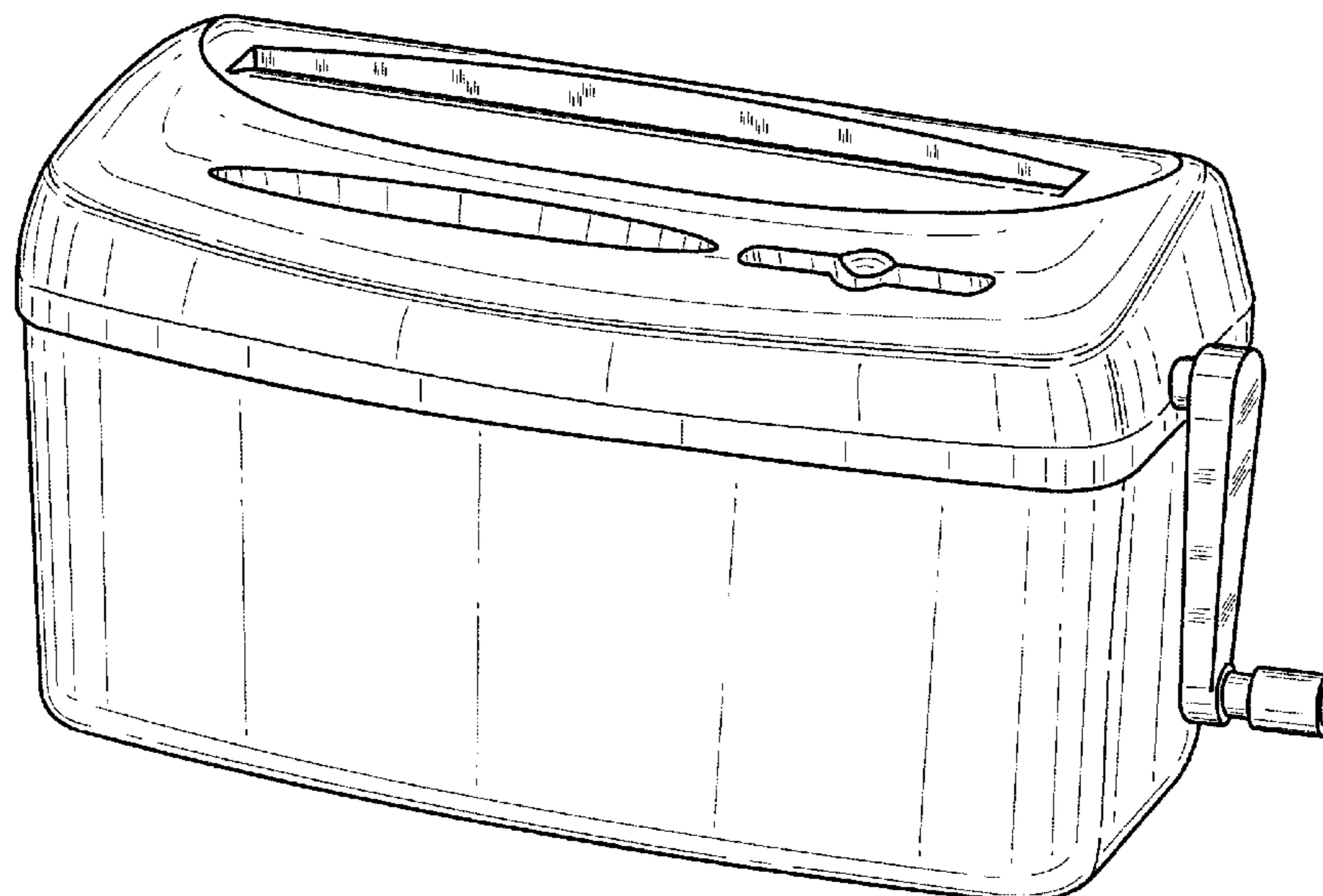
(57) **CLAIM**

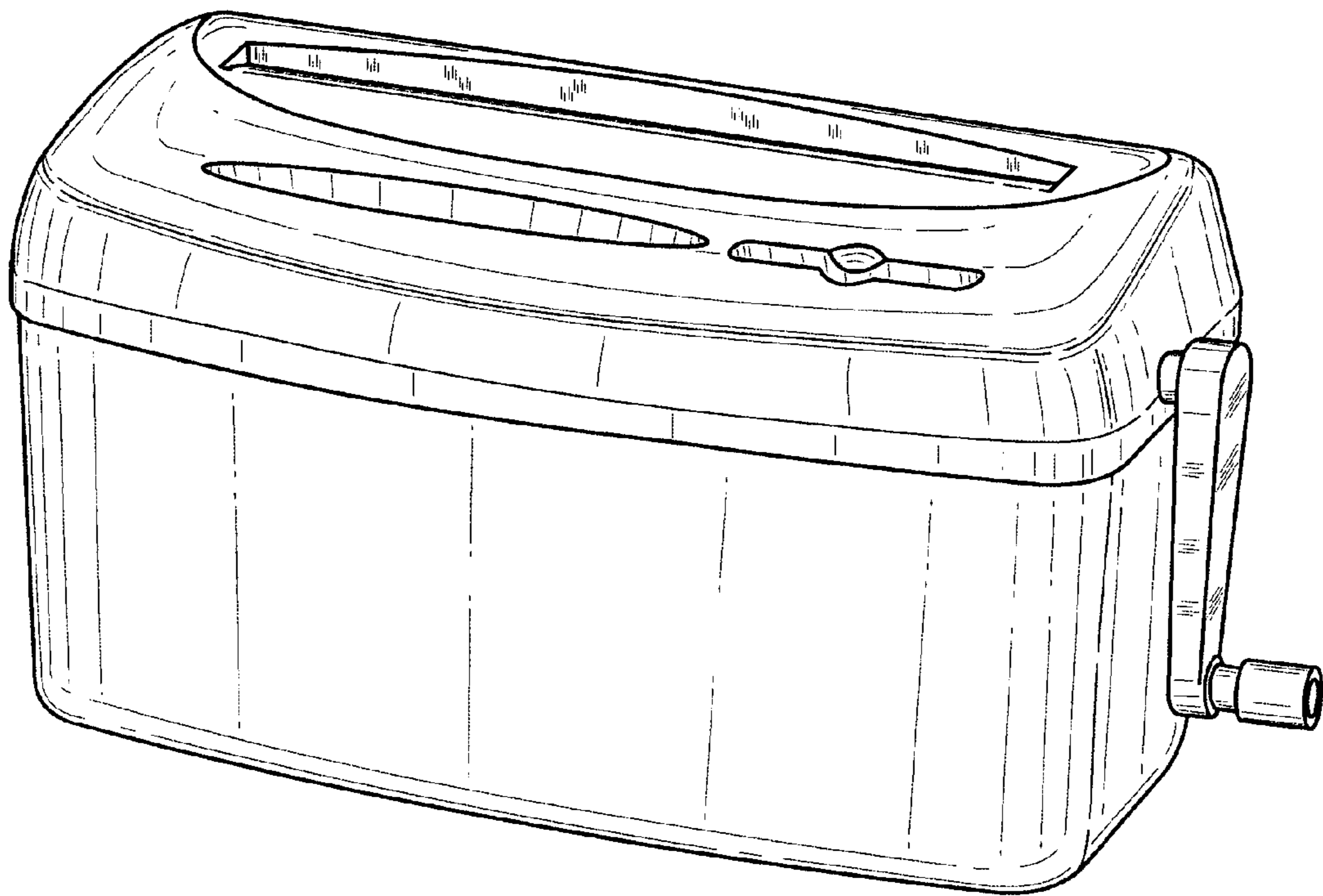
The ornamental design for a shredder, as shown and described.

**DESCRIPTION**

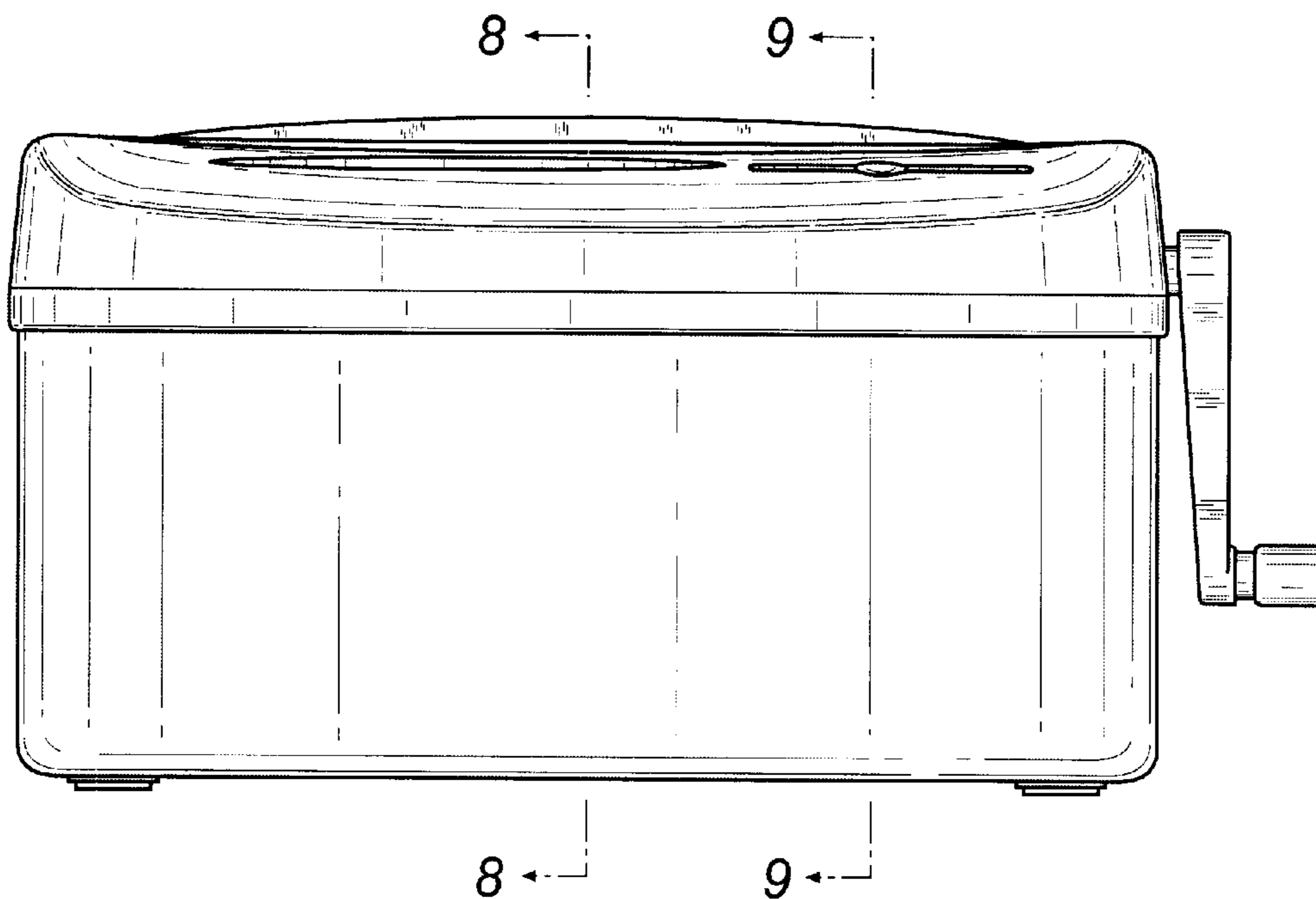
FIG. 1 is a perspective view of a shredder showing my new design;  
FIG. 2 is a front elevational view thereof;  
FIG. 3 is a rear elevational view thereof;  
FIG. 4 is a top plan view thereof;  
FIG. 5 is a bottom plan view thereof;  
FIG. 6 is a right side elevational view thereof;  
FIG. 7 is a left side elevational view thereof;  
FIG. 8 is a sectional view taken along the line A—A of FIG. 2; and,  
FIG. 9 is a sectional view taken along the line B—B of FIG. 2.

**1 Claim, 5 Drawing Sheets**

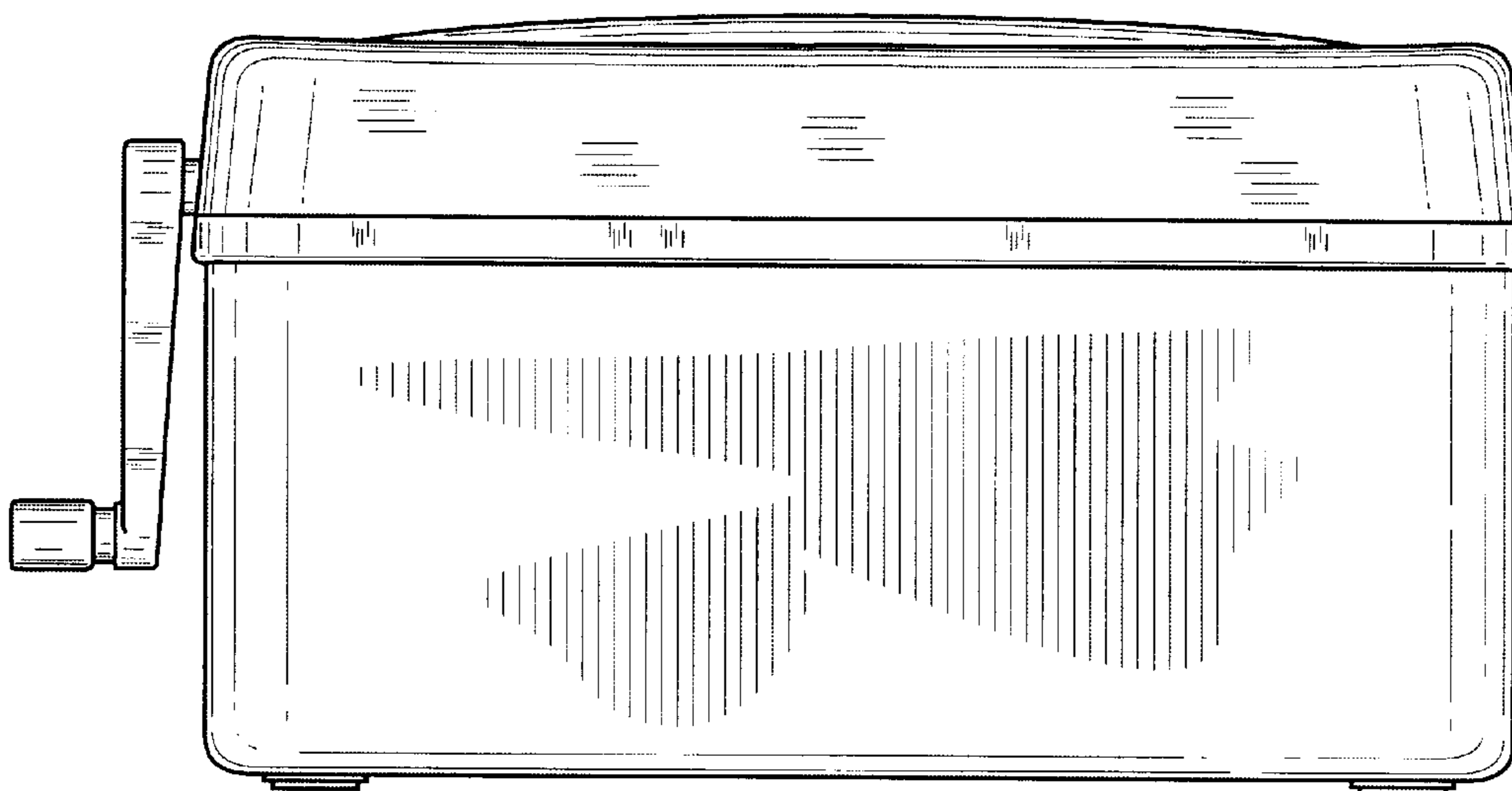




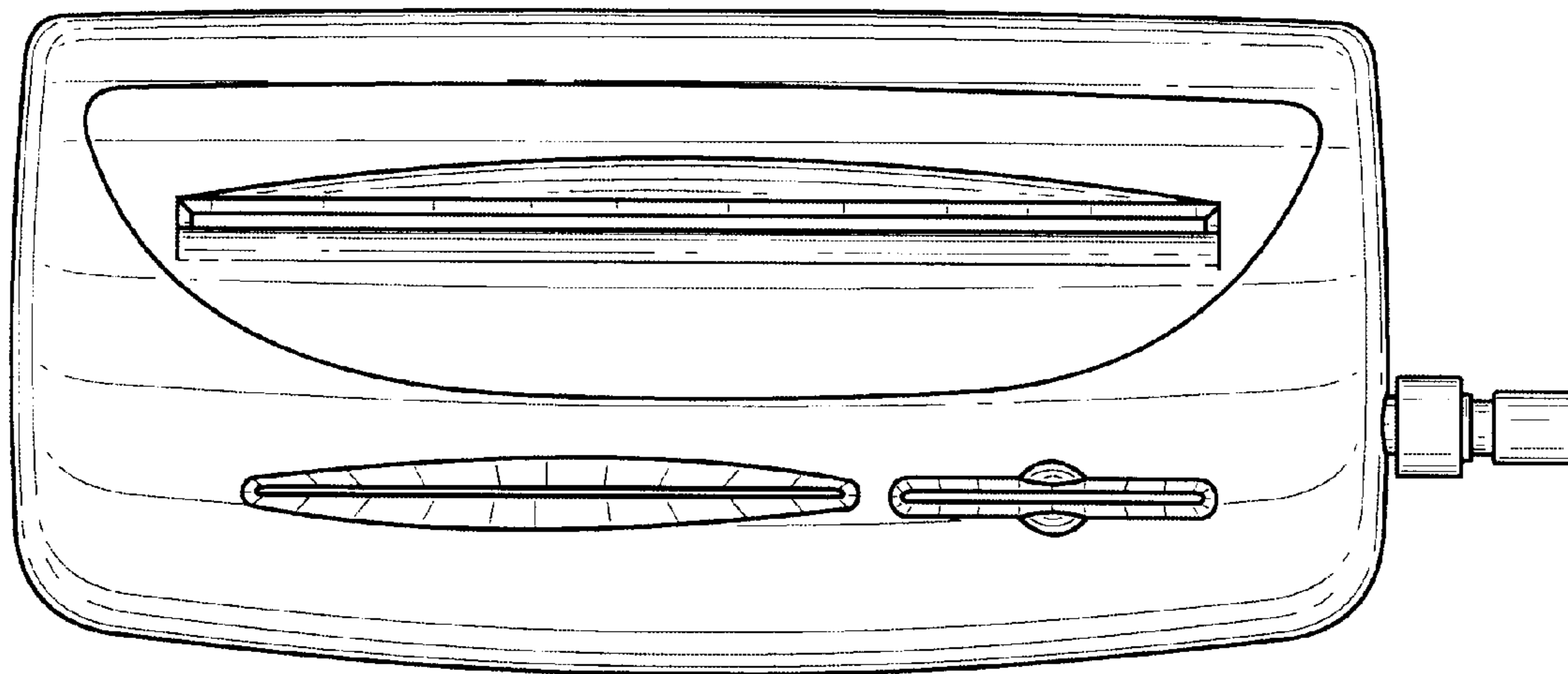
**FIG. 1**



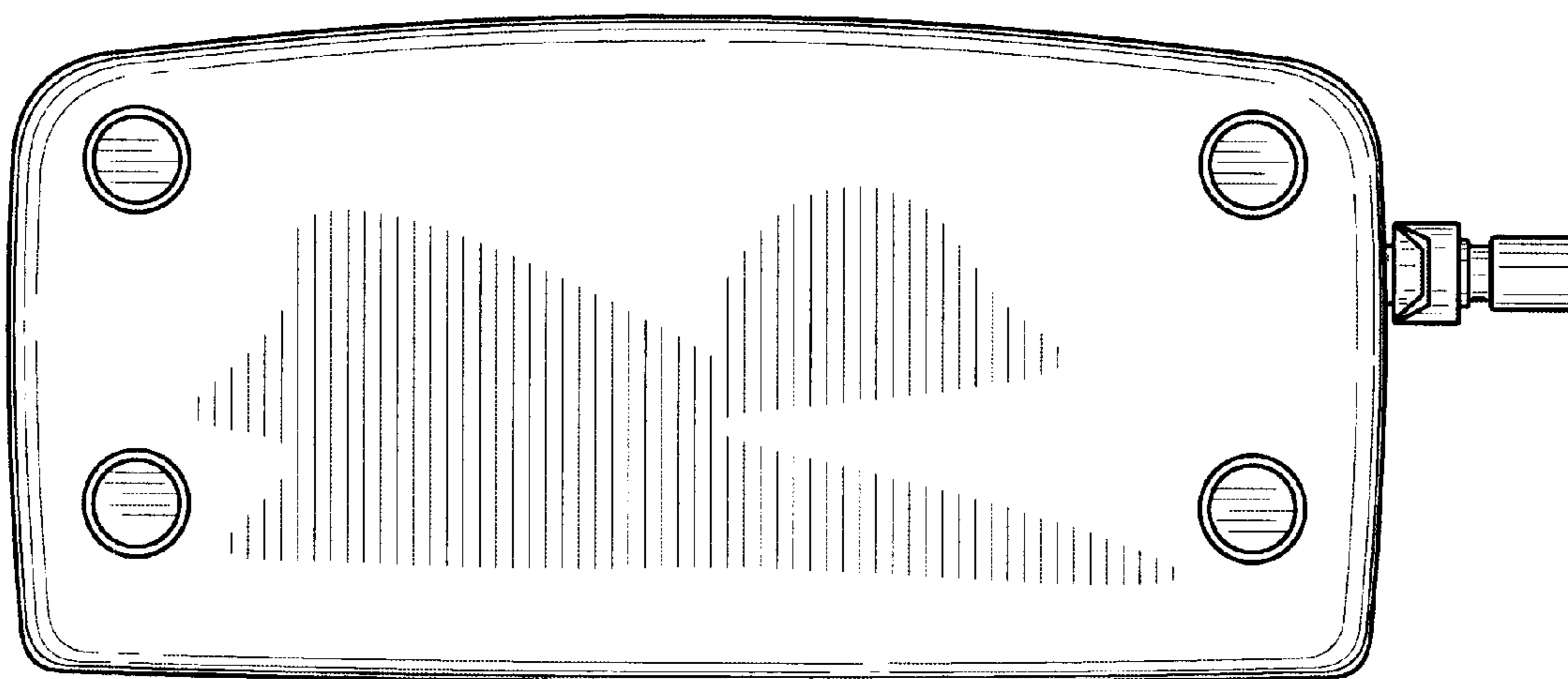
**FIG. 2**



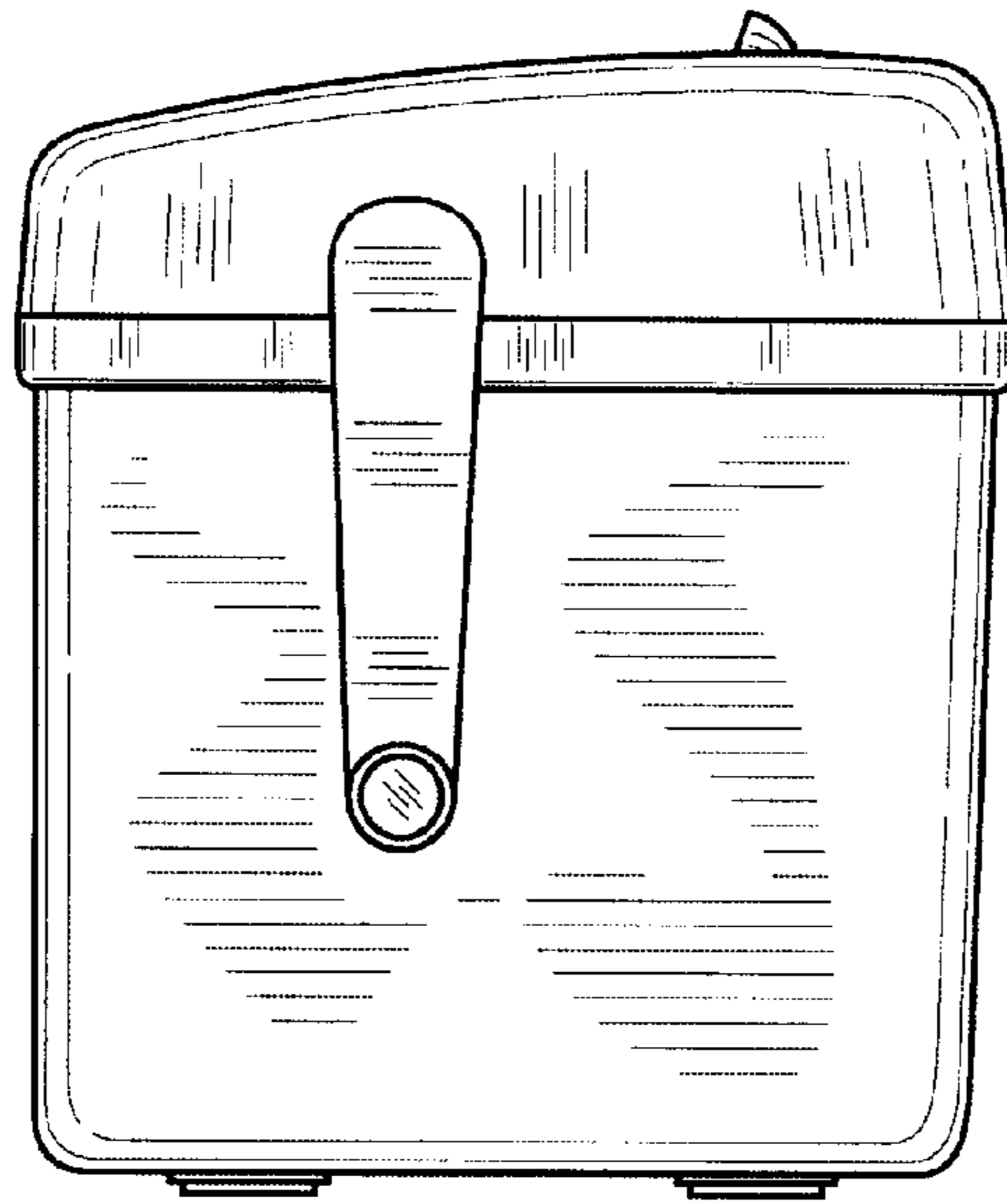
**FIG. 3**



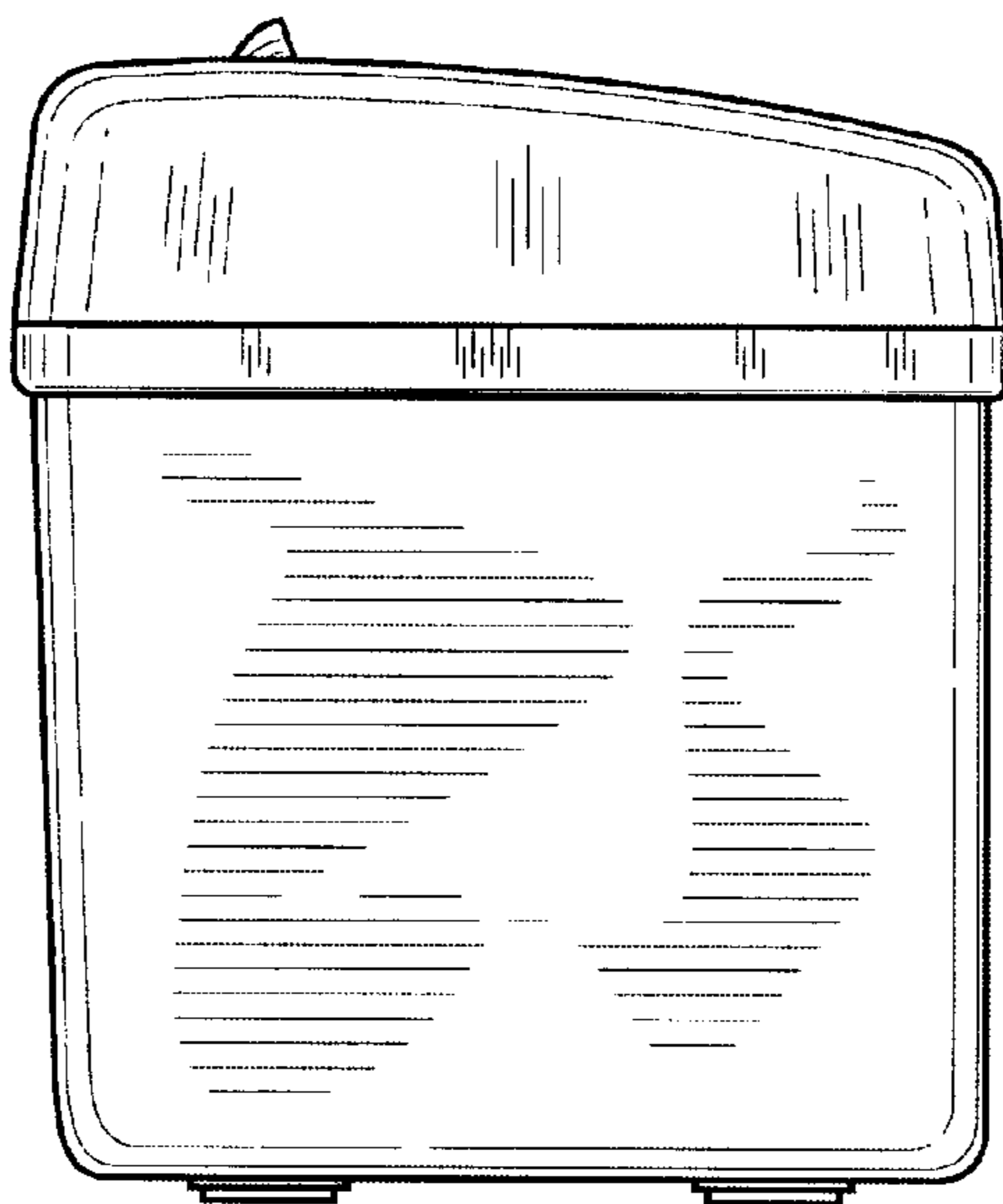
**FIG. 4**



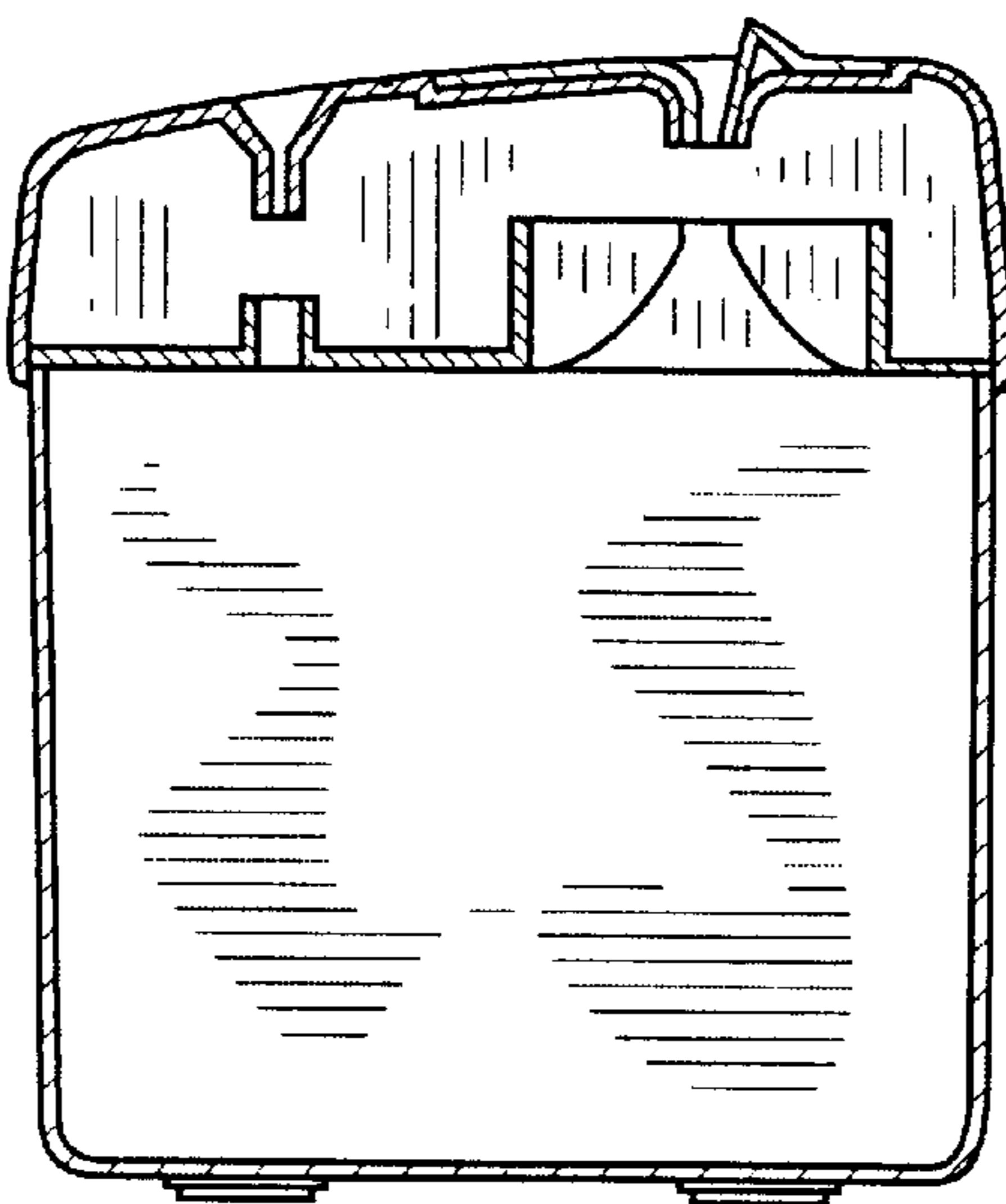
**FIG. 5**



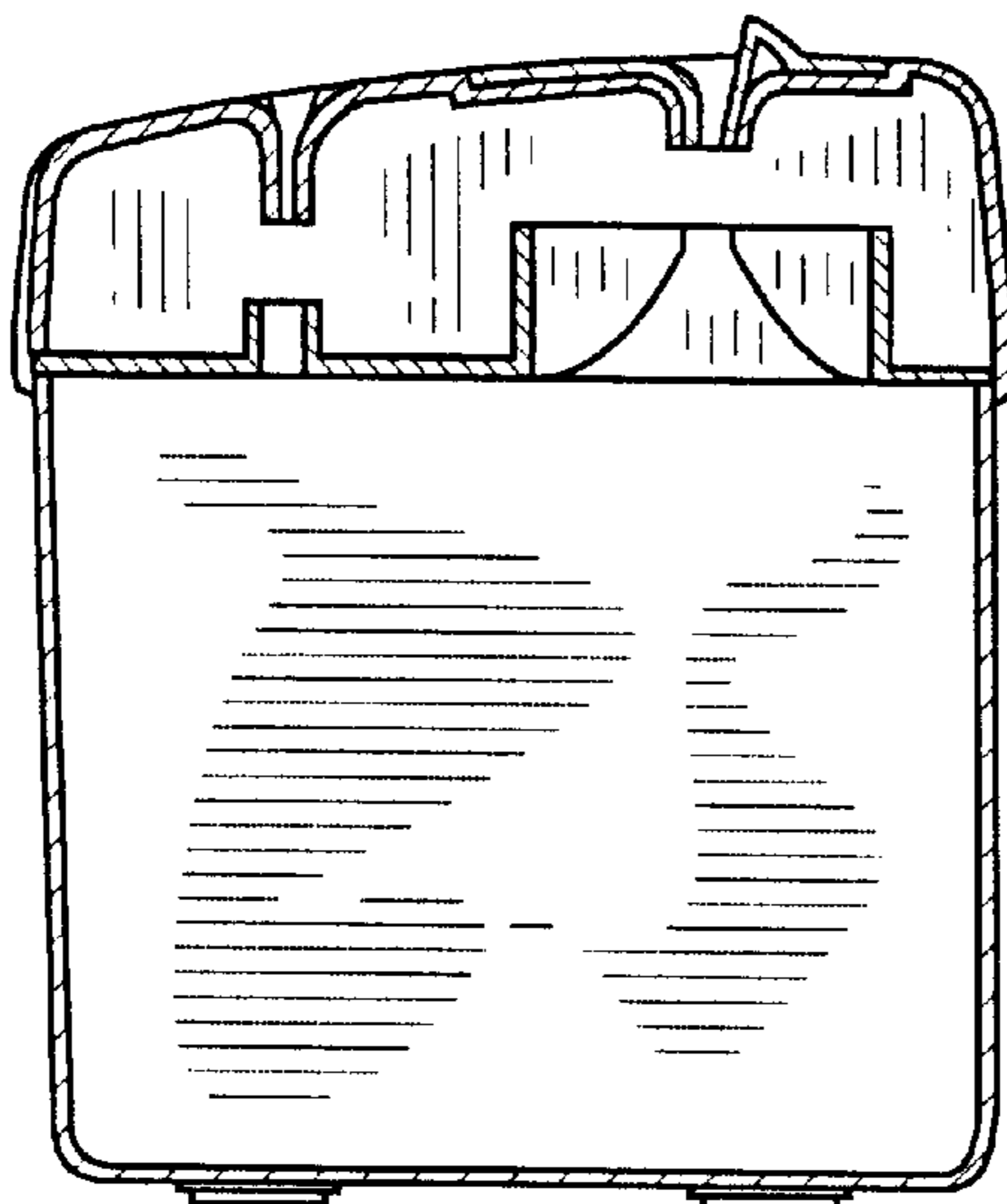
**FIG. 6**



**FIG. 7**



**FIG. 8**



**FIG. 9**