



US00D541841S

(12) **United States Design Patent**
Helfrich

(10) **Patent No.:** **US D541,841 S**

(45) **Date of Patent:** **** May 1, 2007**

(54) **CASTANET**

(75) Inventor: **Gerard Helfrich**, Natick, MA (US)

(73) Assignee: **First Act Inc.**, Boston, MA (US)

(**) Term: **14 Years**

(21) Appl. No.: **29/261,173**

(22) Filed: **Jun. 8, 2006**

(51) **LOC (8) Cl.** **17-04**

(52) **U.S. Cl.** **D17/22**

(58) **Field of Classification Search** D17/22;
84/104, 111, 406, 411 P, 411 R, 419, 402-404,
84/413-416, 420, 422.4, DIG. 12, DIG. 24;
D21/406-408, 487

See application file for complete search history.

(56) **References Cited**

U.S. PATENT DOCUMENTS

13,823	A	*	11/1855	Cord	446/420
1,490,914	A	*	4/1924	Cornell	446/422
1,613,978	A	*	1/1927	Berton	84/402
1,643,553	A	*	9/1927	Gladstone	84/402
1,769,551	A	*	7/1930	Schwartz	84/411 R
2,386,561	A	*	10/1945	Magnuson	446/421
3,499,361	A	*	3/1970	Harleman	84/402
D278,642	S	*	4/1985	Martinez	D21/406
D322,293	S	*	12/1991	Peiffer	D21/406
D450,763	S	*	11/2001	Fernandes et al.	D19/26

FOREIGN PATENT DOCUMENTS

JP 02240692 A * 9/1990

OTHER PUBLICATIONS

The Percussion Source. <http://www.percussionsource.com/Category.aspx?id=372>. Dec. 2005. Castanet, Item A: center of page.*

* cited by examiner

Primary Examiner—Ian Simmons

Assistant Examiner—R. Johnson

(74) *Attorney, Agent, or Firm*—John E. Toupal; Harold G. Jarcho

(57) **CLAIM**

I claim the ornamental design for a castanet, as shown and described.

DESCRIPTION

FIG. 1 is a front perspective view of a castanet showing my new design;

FIG. 2 is a front elevational view thereof;

FIG. 3 is a rear elevational view thereof;

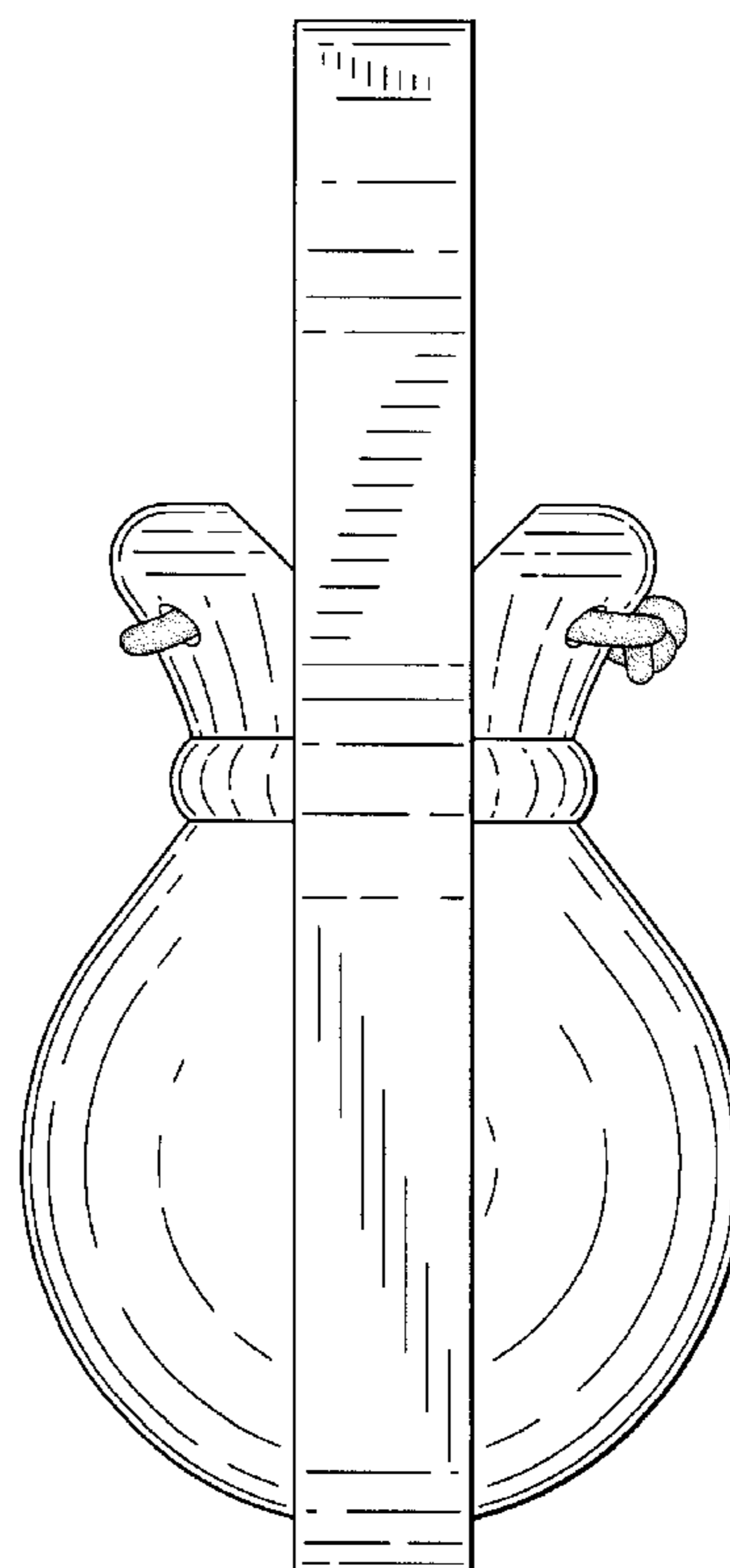
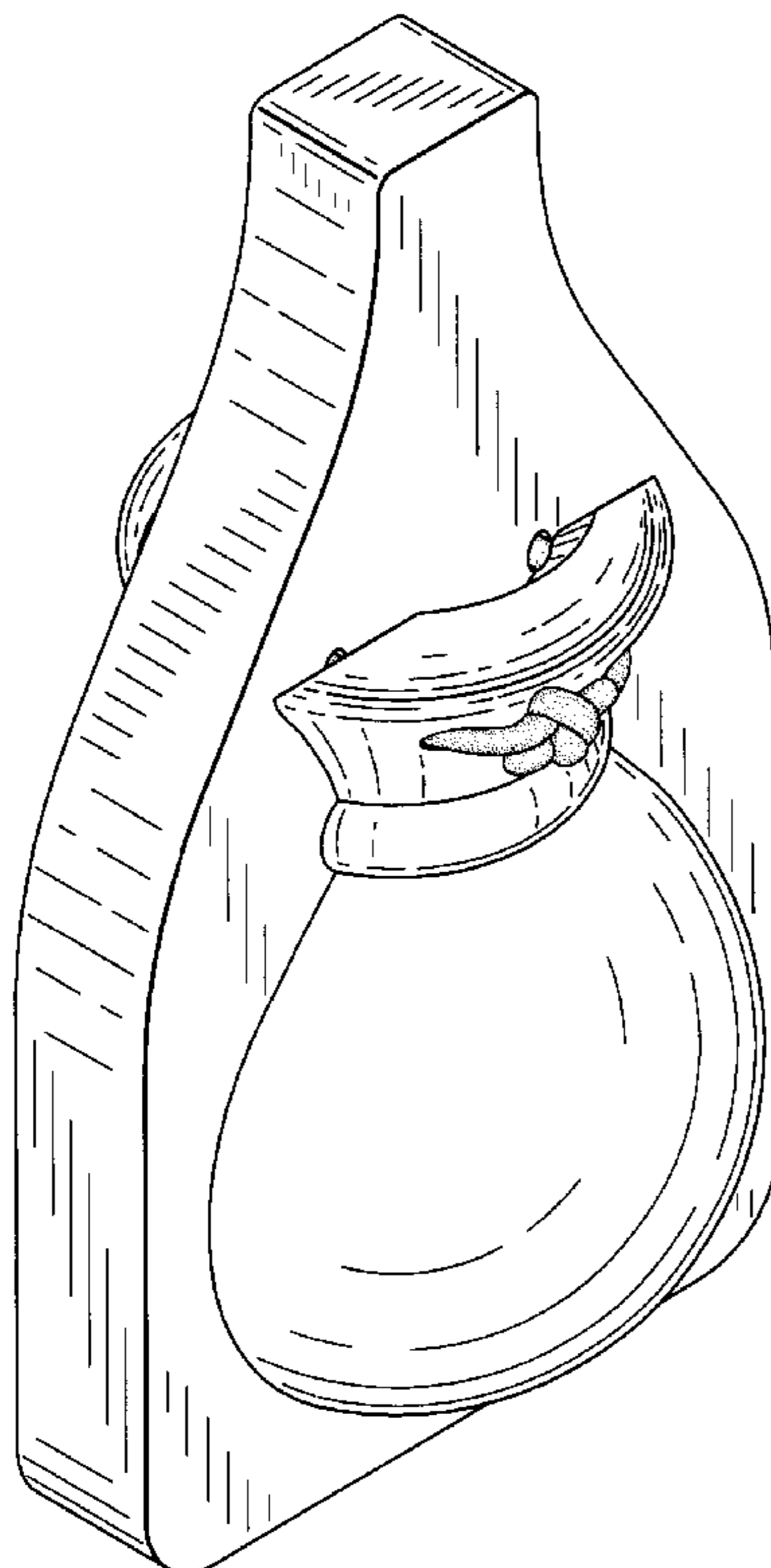
FIG. 4 is a left side elevational view thereof;

FIG. 5 is a right side elevational view thereof;

FIG. 6 is a top plan view thereof; and,

FIG. 7 is a bottom plan view.

1 Claim, 4 Drawing Sheets



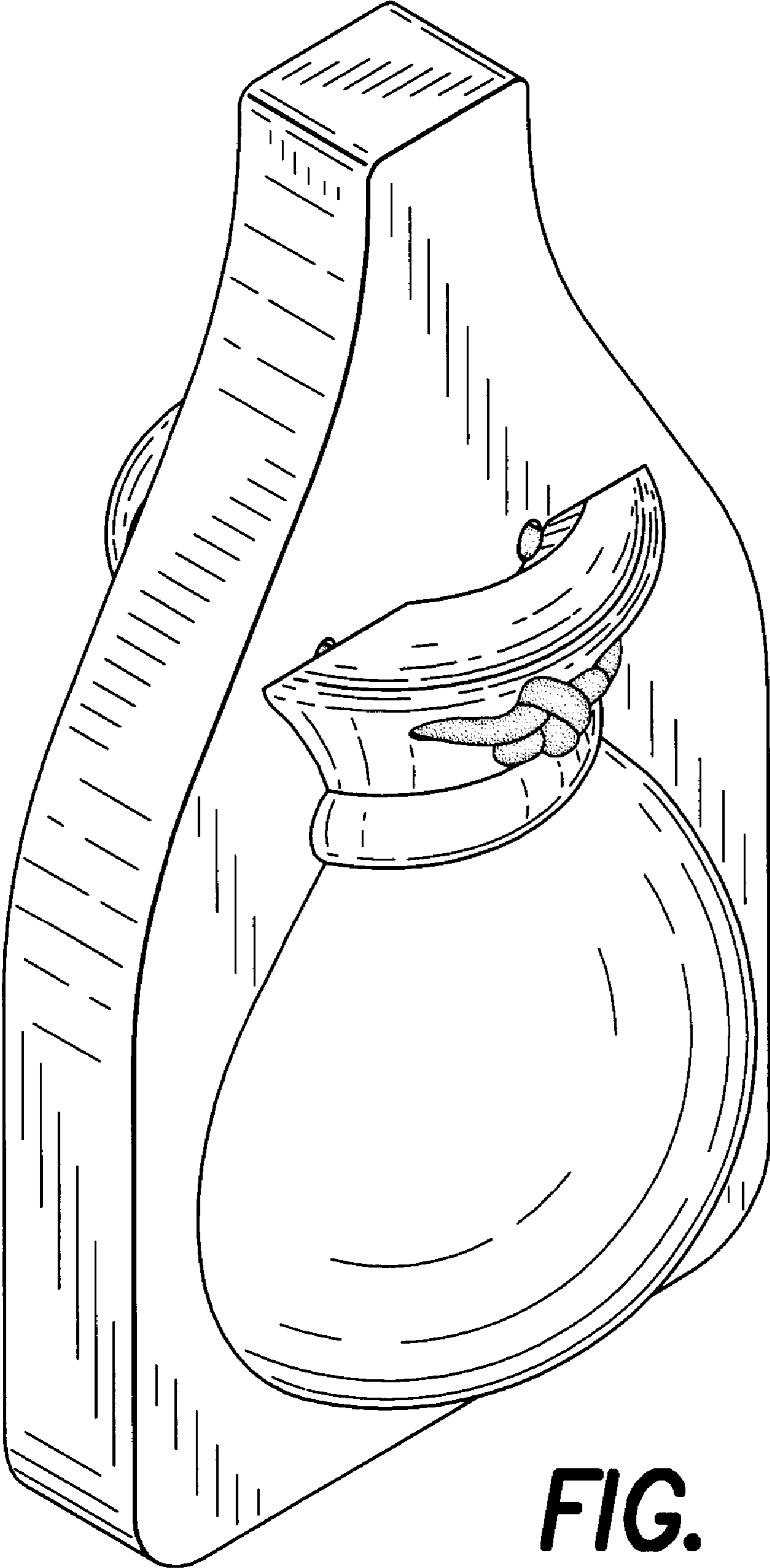


FIG. 1

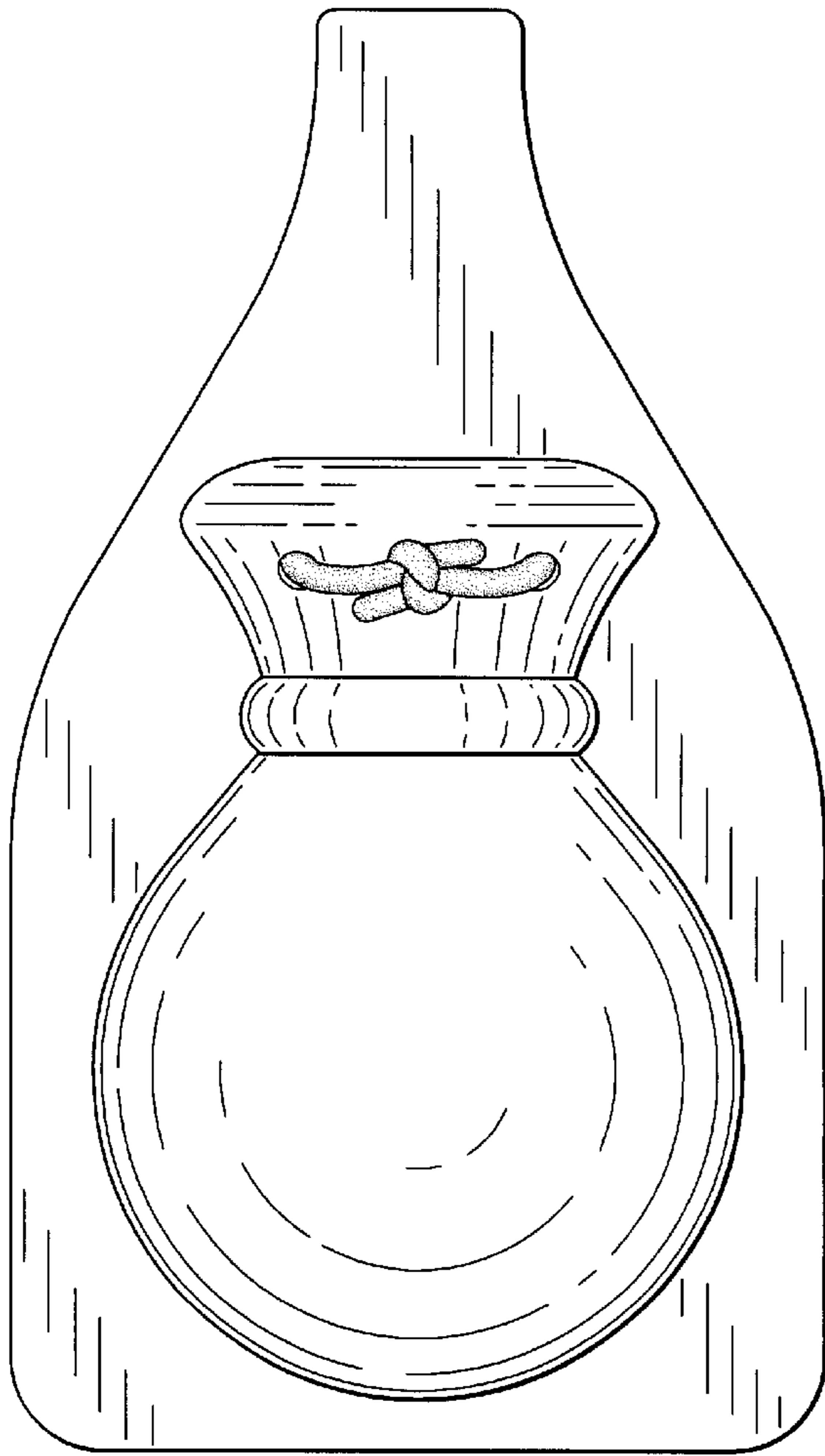


FIG. 2

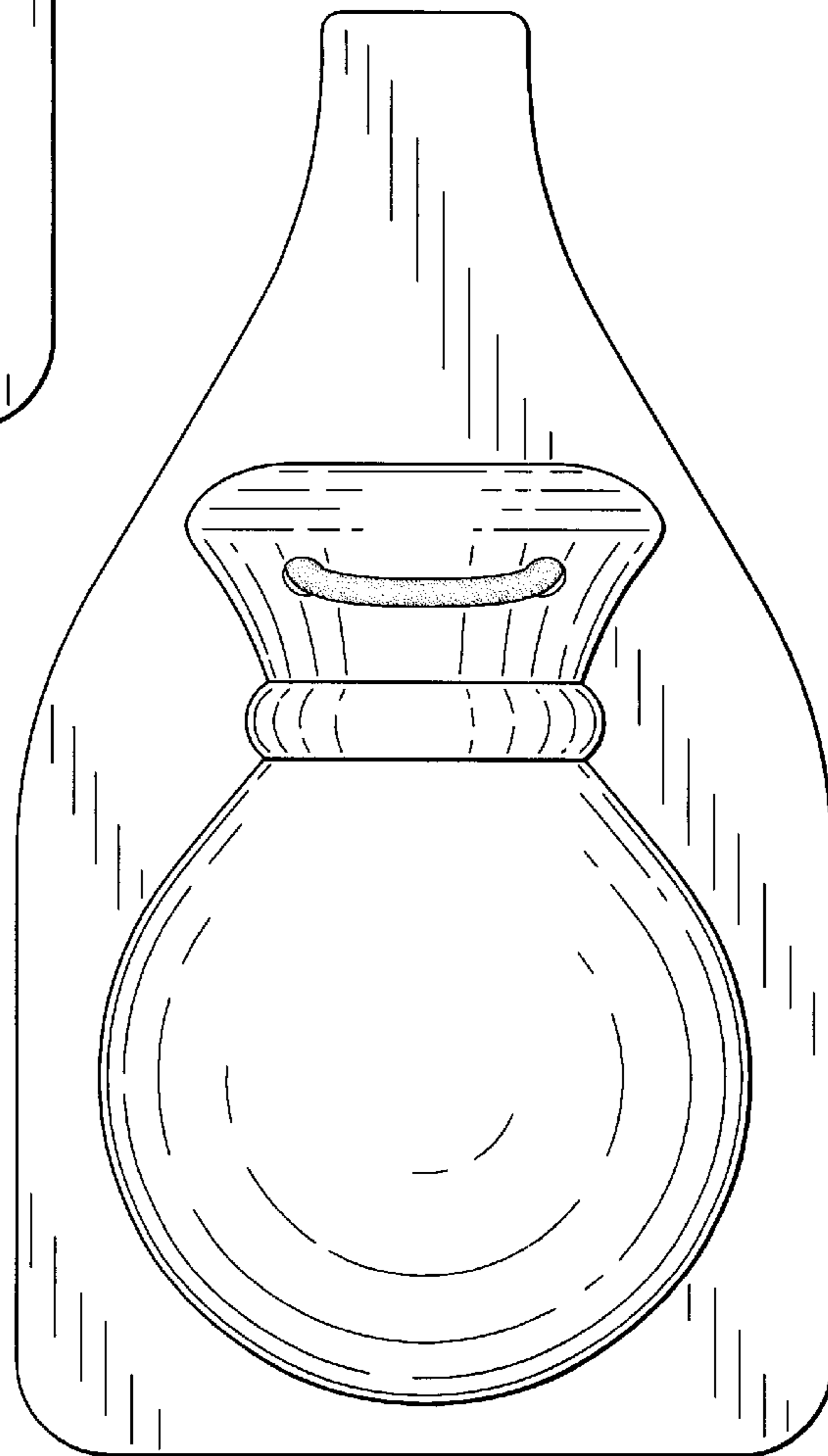


FIG. 3

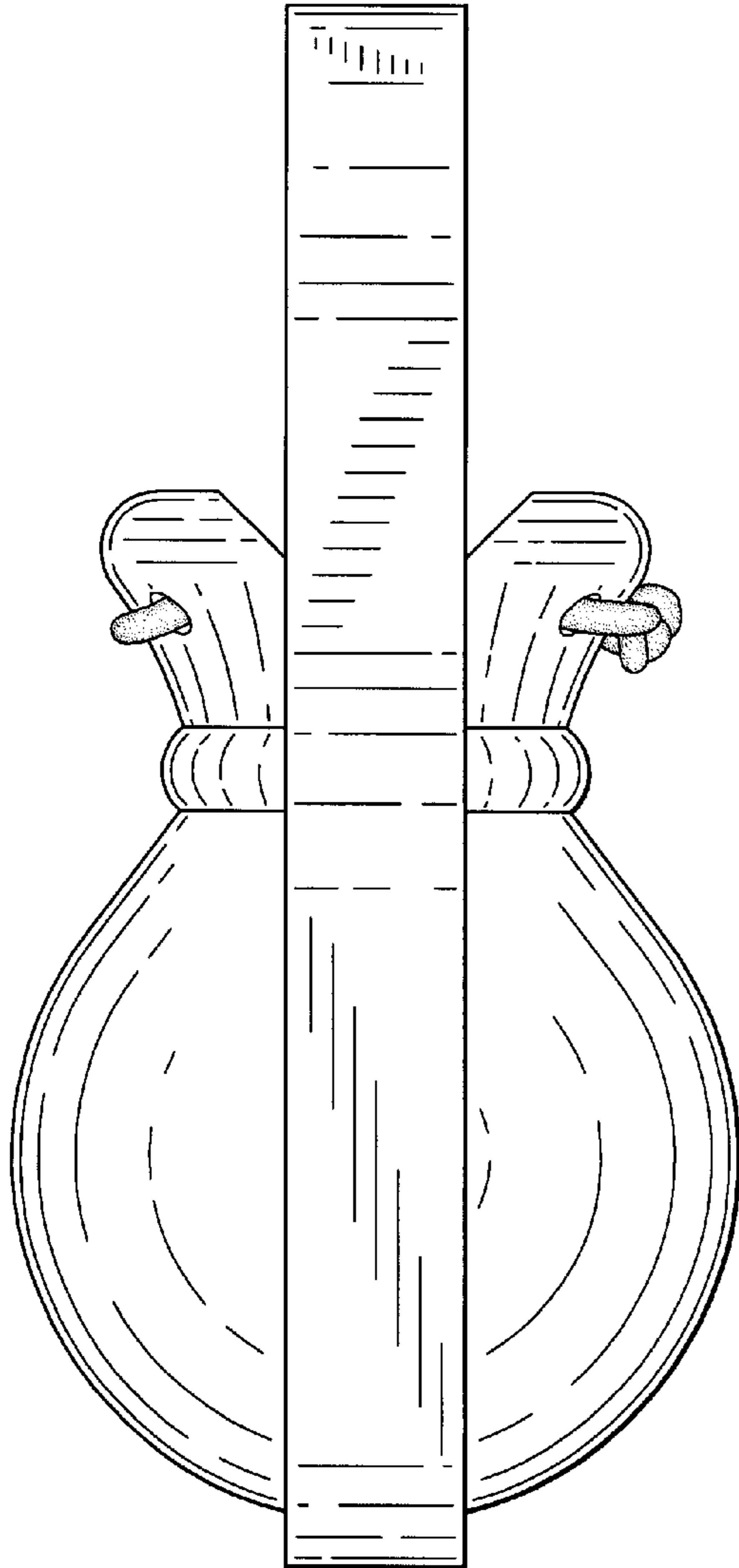


FIG. 4

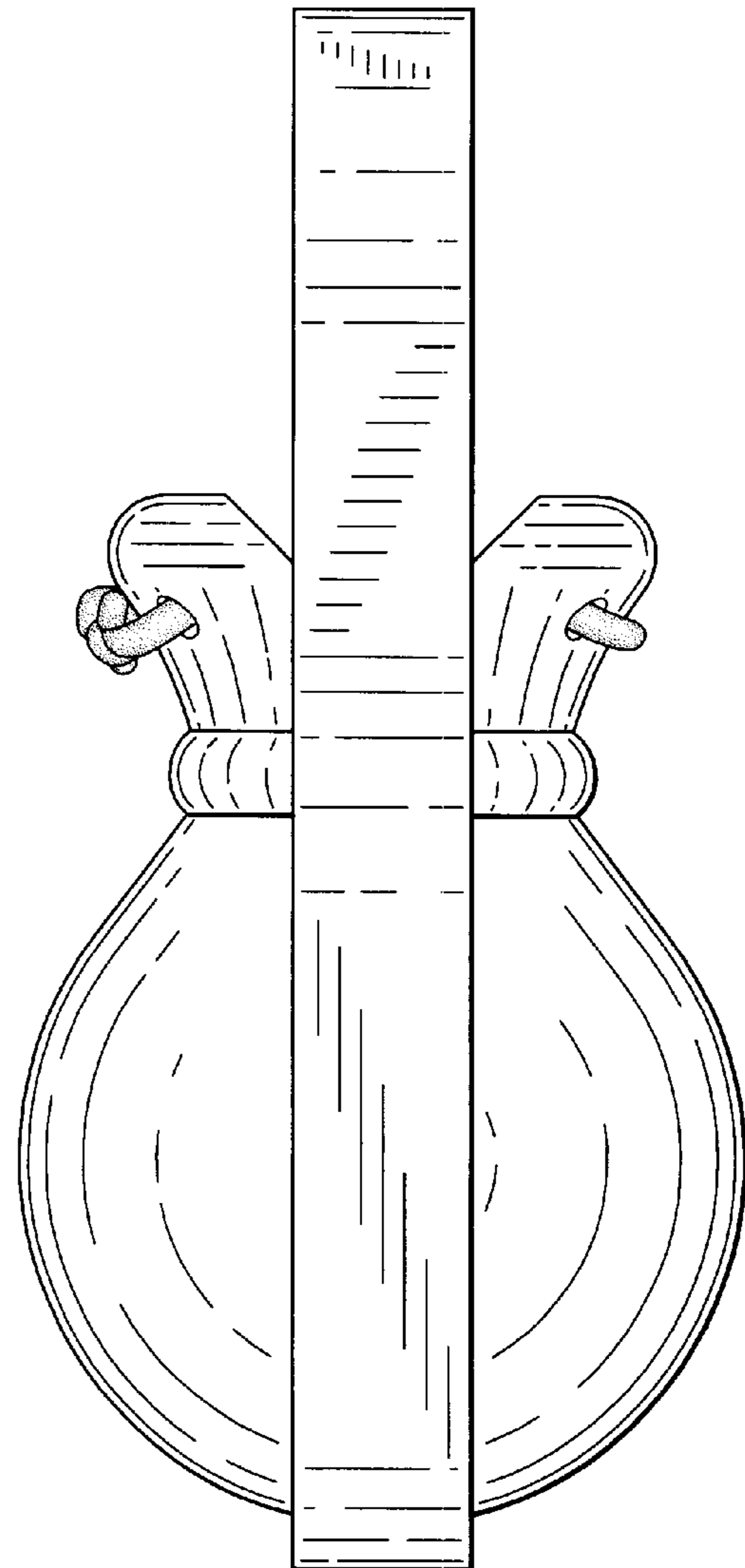


FIG. 5

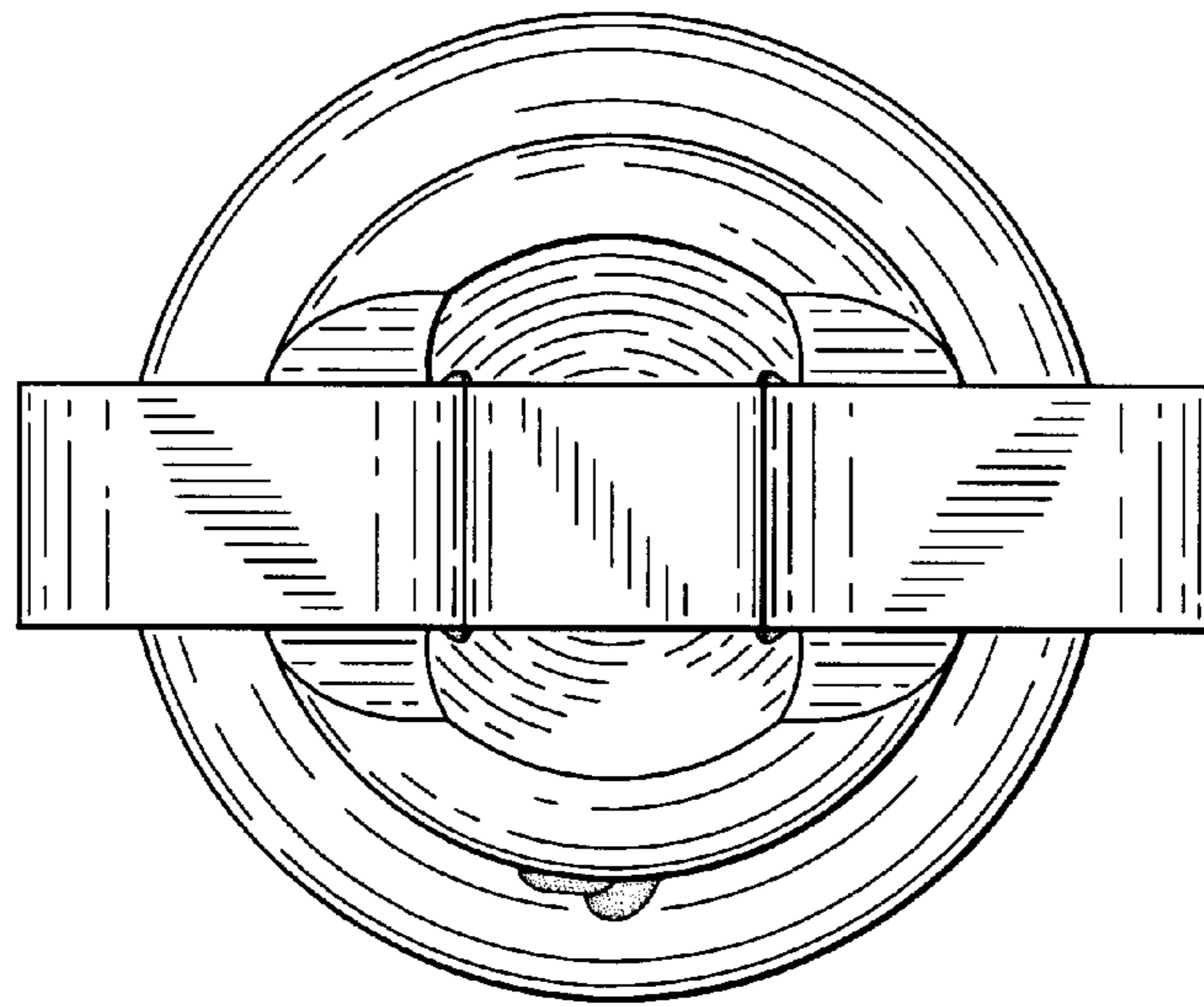


FIG. 6

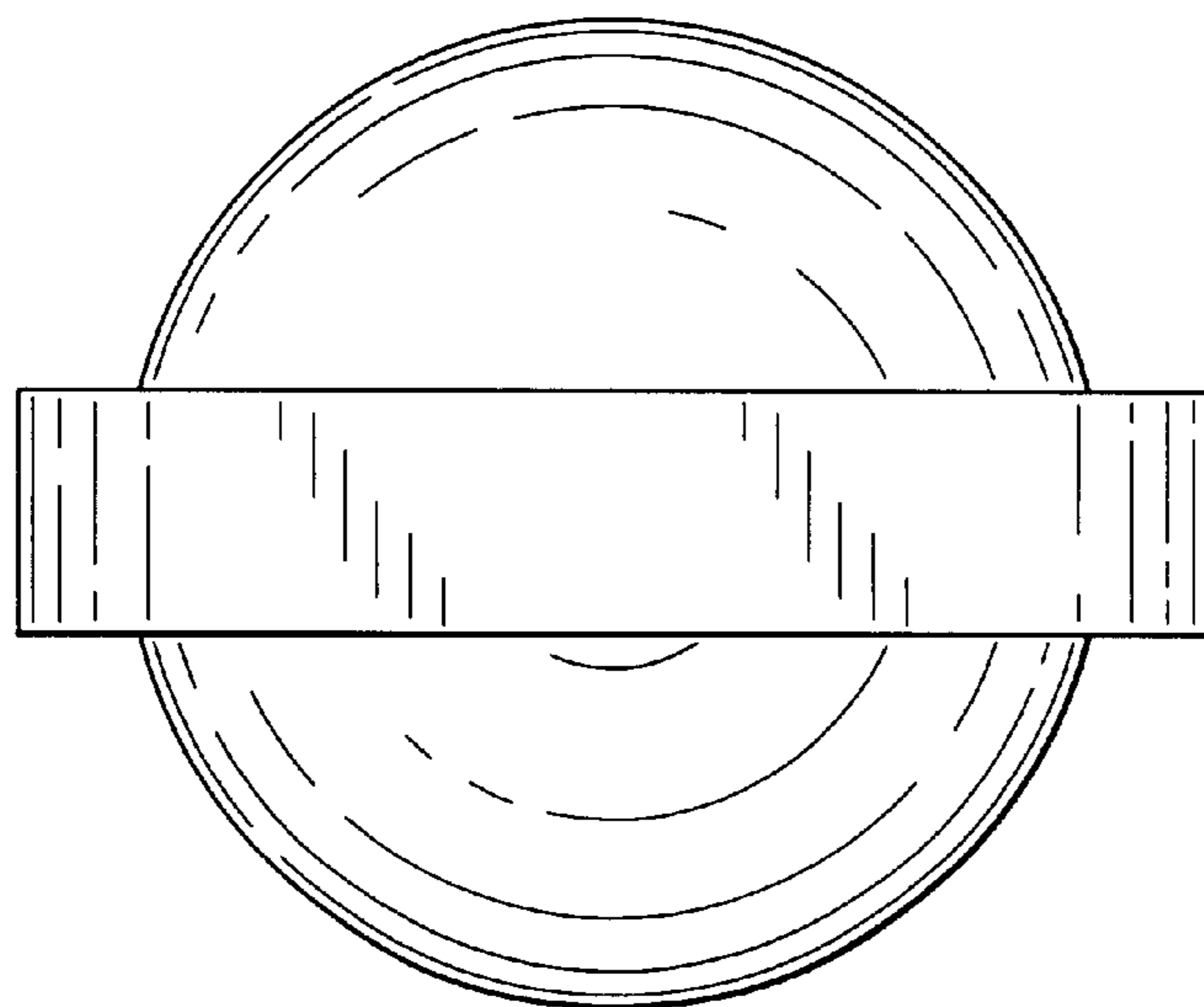


FIG. 7