

US00D541835S

(12) **United States Design Patent**  
**Suh et al.**

(10) **Patent No.:** **US D541,835 S**

(45) **Date of Patent:** **\*\* May 1, 2007**

(54) **CAMERA**

(75) Inventors: **Inh Seok Suh**, Seongnam-si (KR);  
**Takayoshi Ozone**, Yokohama (JP)

(73) Assignee: **Samsung Techwin Co., Ltd.**,  
Changwon (KR)

(\*\*) Term: **14 Years**

(21) Appl. No.: **29/234,513**

(22) Filed: **Jul. 19, 2005**

(30) **Foreign Application Priority Data**

May 18, 2005 (KR) ..... 30-2005-0016585

(51) **LOC (8) Cl.** ..... **16-05**

(52) **U.S. Cl.** ..... **D16/219**

(58) **Field of Classification Search** ..... D16/200–204,  
D16/216–219; 348/373–374; 396/354–359,  
396/535–541

See application file for complete search history.

(56) **References Cited**

**U.S. PATENT DOCUMENTS**

D261,894 S \* 11/1981 Mielke ..... D16/217

4,406,533 A \* 9/1983 Yamamoto ..... 396/206  
4,692,010 A \* 9/1987 Kataoka et al. .... 396/354  
D442,203 S \* 5/2001 Suzuki et al. .... D16/202  
D482,713 S \* 11/2003 Hayashi ..... D16/217  
D491,596 S \* 6/2004 Haga ..... D16/202

\* cited by examiner

*Primary Examiner*—Adir Aronovich

(74) *Attorney, Agent, or Firm*—Gardner Carton & Douglas  
LLP

(57) **CLAIM**

We claim the ornamental design for a camera, as shown and  
described.

**DESCRIPTION**

FIG. 1 is a perspective view of the design for a camera;  
FIG. 2 is a front view of the design of FIG. 1;  
FIG. 3 is a rear view of the design of FIG. 1;  
FIG. 4 is a left side view of the design of FIG. 1;  
FIG. 5 is a right side view of the design of FIG. 1;  
FIG. 6 is a top view of the design of FIG. 1; and,  
FIG. 7 is a bottom view of the design of FIG. 1.

**1 Claim, 7 Drawing Sheets**

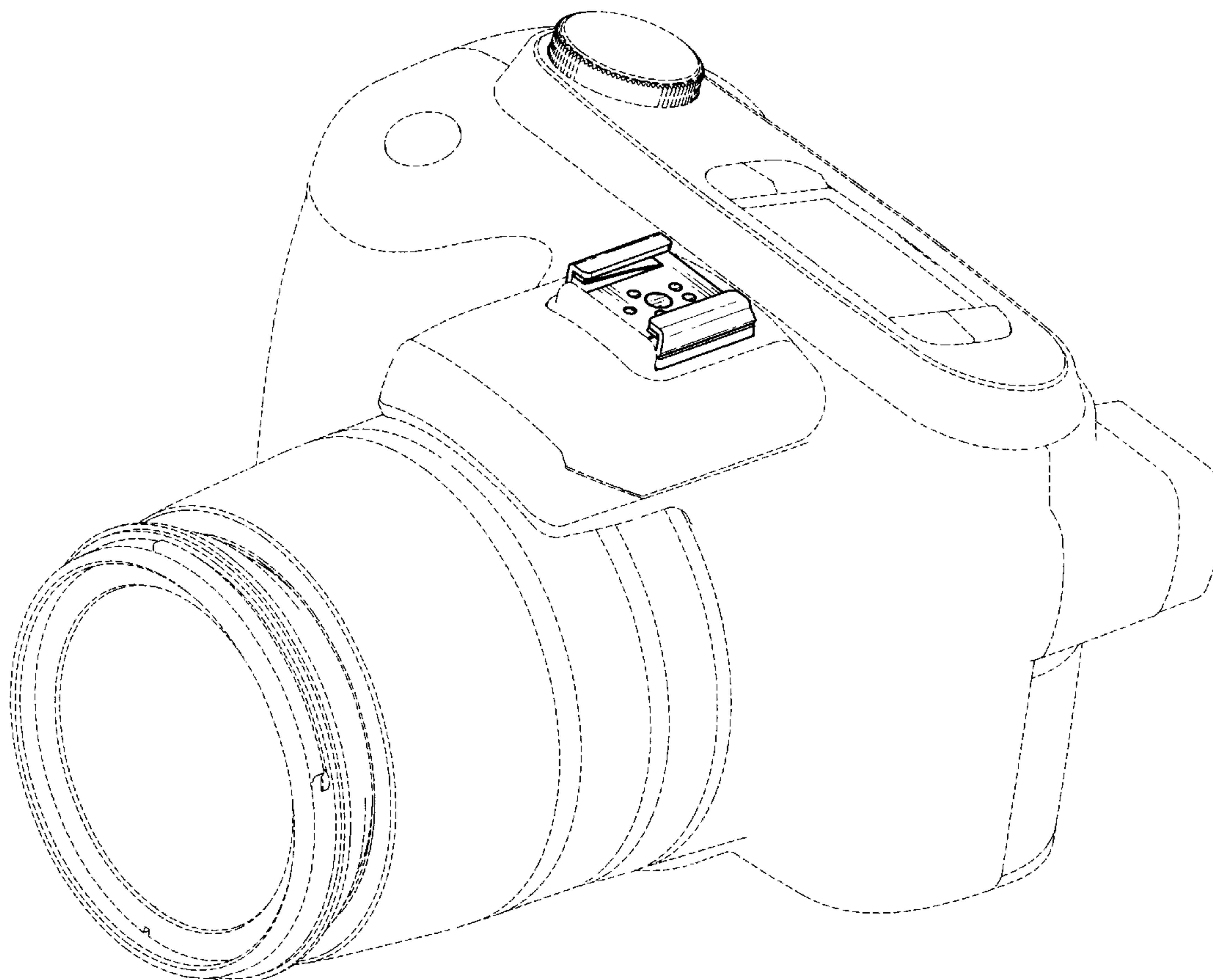


FIG. 1

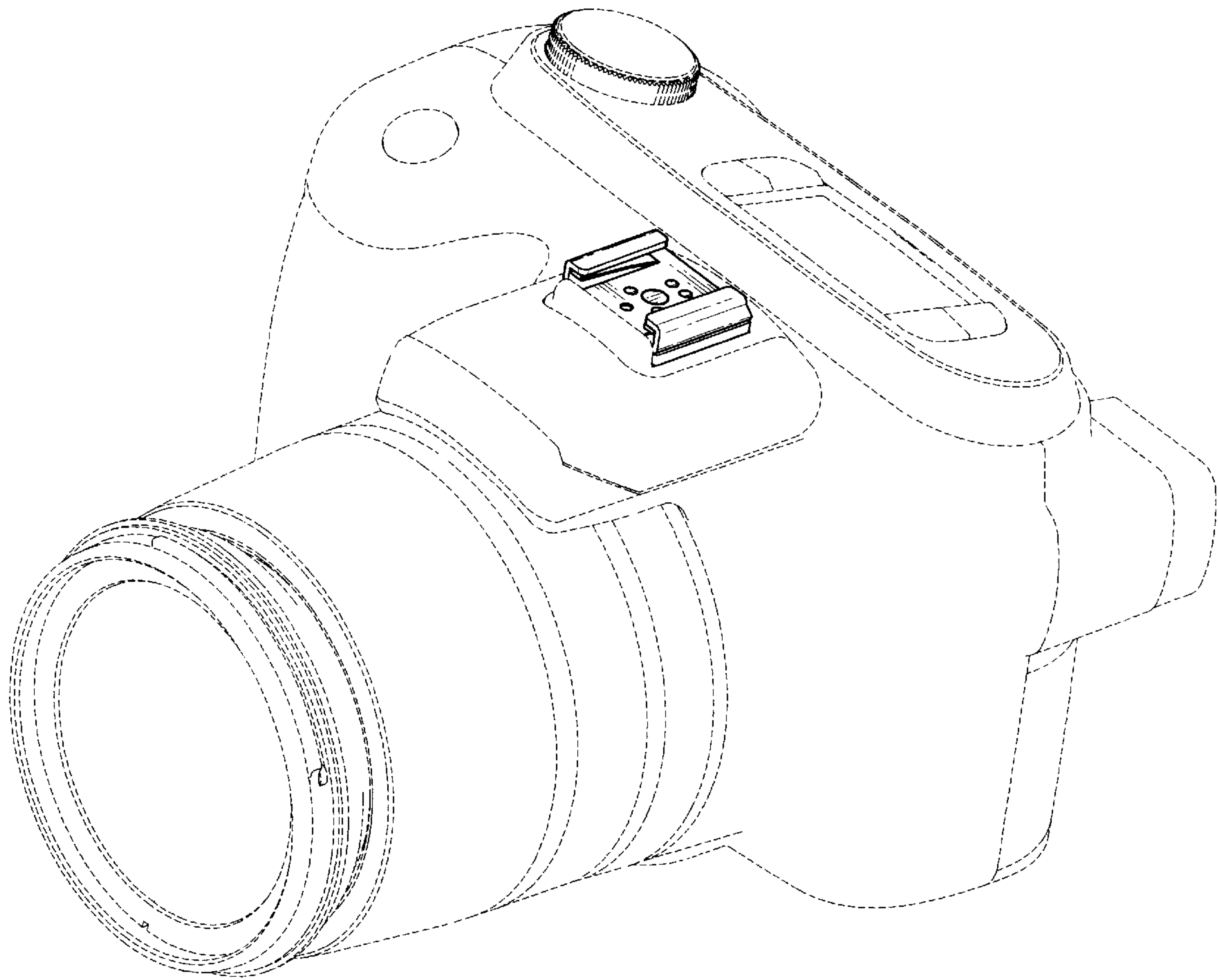


FIG. 2

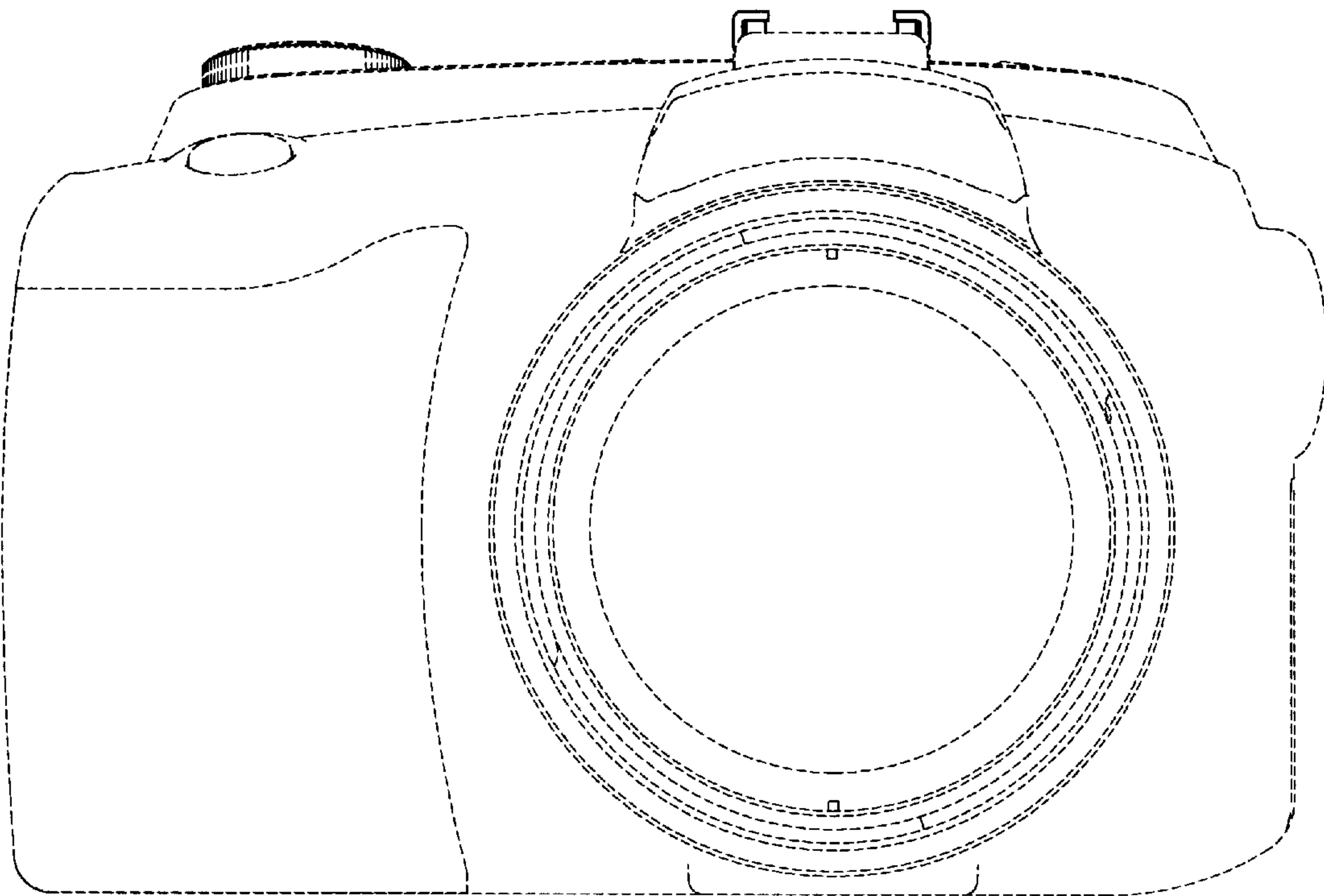


FIG. 3

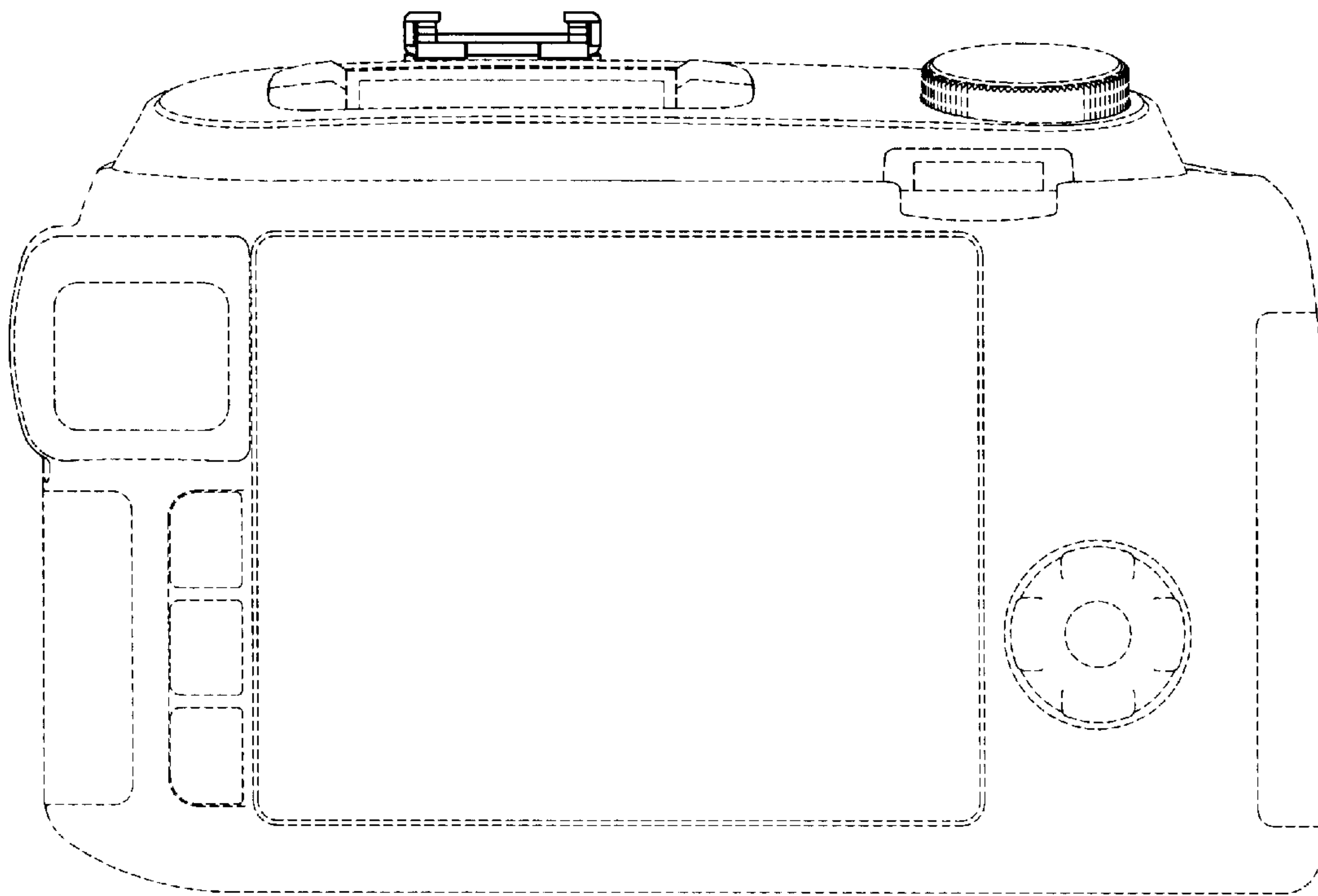


FIG. 4

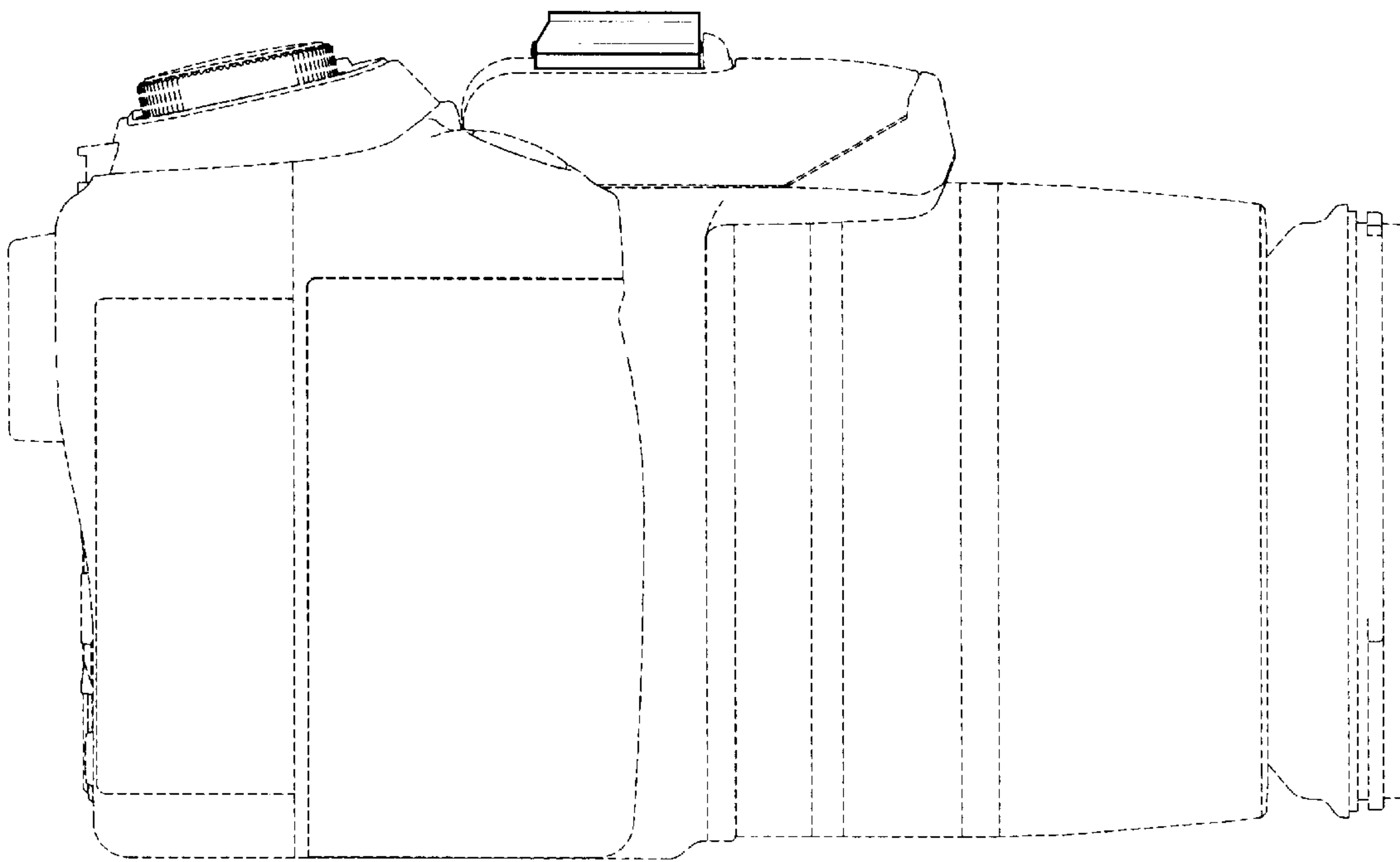


FIG. 5

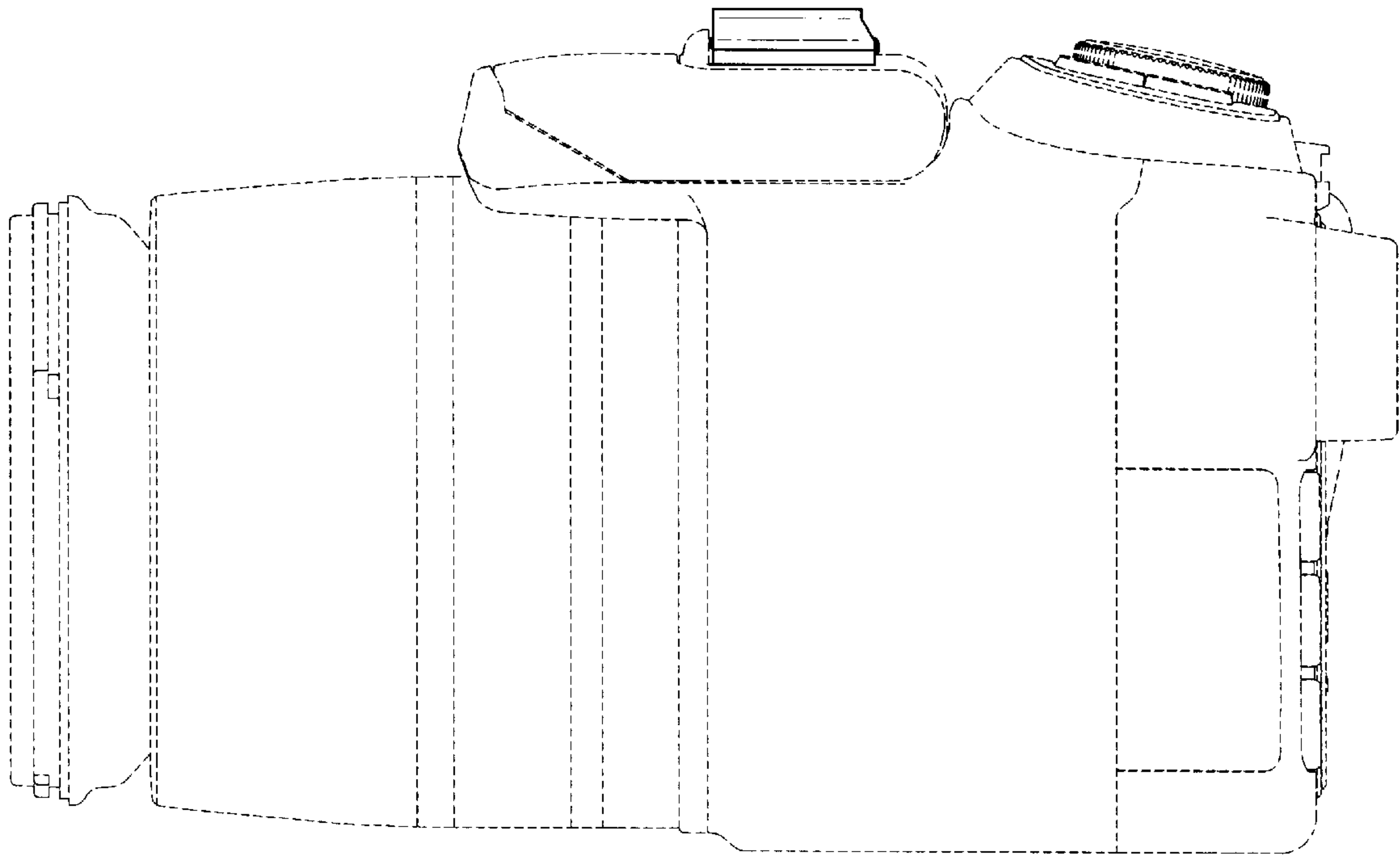




FIG. 6

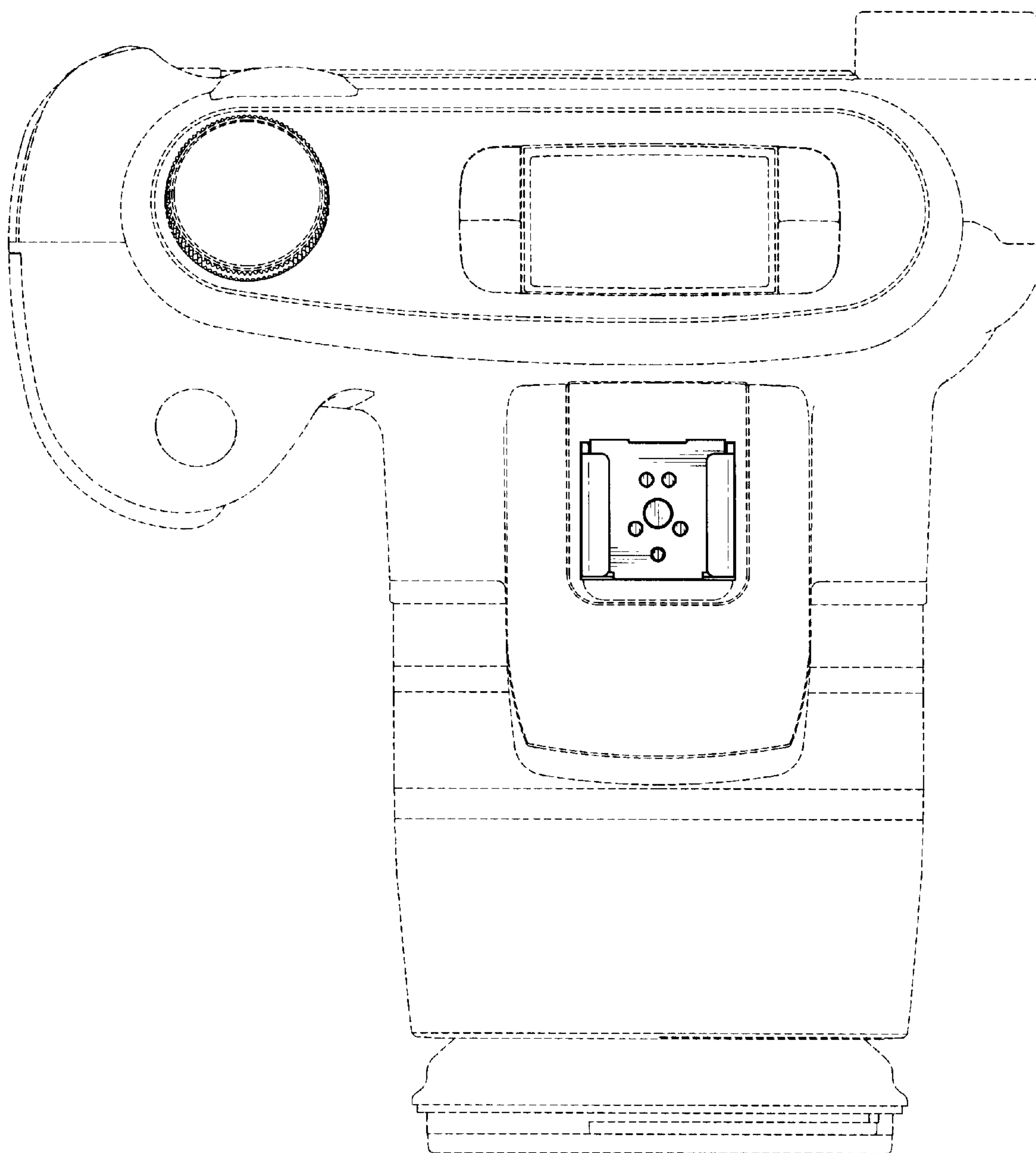


FIG. 7

