

US00D541834S

(12) **United States Design Patent**
Horikiri et al.

(10) **Patent No.:** **US D541,834 S**

(45) **Date of Patent:** **** *May 1, 2007**

(54) **DIGITAL CAMERA**

(75) Inventors: **Kazuhisa Horikiri**, Tokyo (JP);
Ryosuke Ogura, Tokyo (JP)

(73) Assignee: **Fuji Photo Film Co., Ltd.**, Kanagawa (JP)

(*) Notice: This patent is subject to a terminal disclaimer.

(**) Term: **14 Years**

(21) Appl. No.: **29/230,321**

(22) Filed: **May 18, 2005**

(30) **Foreign Application Priority Data**

Nov. 19, 2004 (JP) 2004-035476

(51) **LOC (8) Cl.** **16-01**

(52) **U.S. Cl.** **D16/202**

(58) **Field of Classification Search** D16/200-204,
D16/208, 212, 218, 219; 348/373-376; 358/909.1;
396/349, 448, 535-541

See application file for complete search history.

(56) **References Cited**

U.S. PATENT DOCUMENTS

- D283,428 S * 4/1986 Iguchi D16/212
- D387,078 S * 12/1997 Akita D16/202
- 6,135,652 A * 10/2000 Owashi et al. 396/349
- D500,777 S * 1/2005 Basmadjian et al. D16/212

- D508,711 S * 8/2005 Suzuki D16/202
- D521,038 S * 5/2006 Takagi D16/200
- D522,555 S * 6/2006 Choi D16/202

* cited by examiner

Primary Examiner—Adir Aronovich

(74) *Attorney, Agent, or Firm*—Koda & Androlia

(57) **CLAIM**

The ornamental design for a digital camera, as shown and described.

DESCRIPTION

FIG. 1 is a front elevational view of the digital camera showing our new design;

FIG. 2 is a rear elevational view thereof;

FIG. 3 is a left side elevational view thereof;

FIG. 4 is a right side elevational view thereof;

FIG. 5 is a top plan view thereof;

FIG. 6 is a bottom plan view thereof;

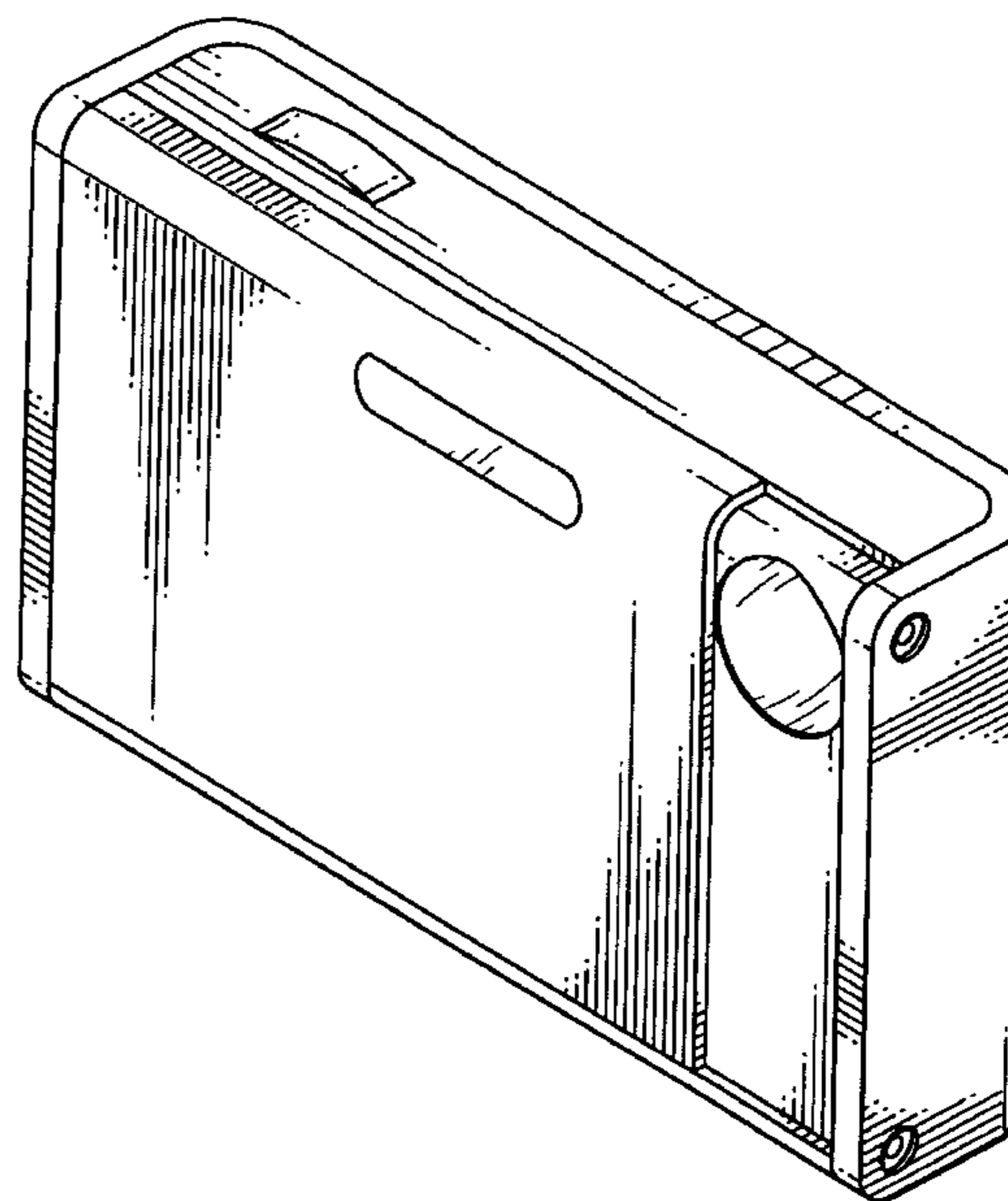
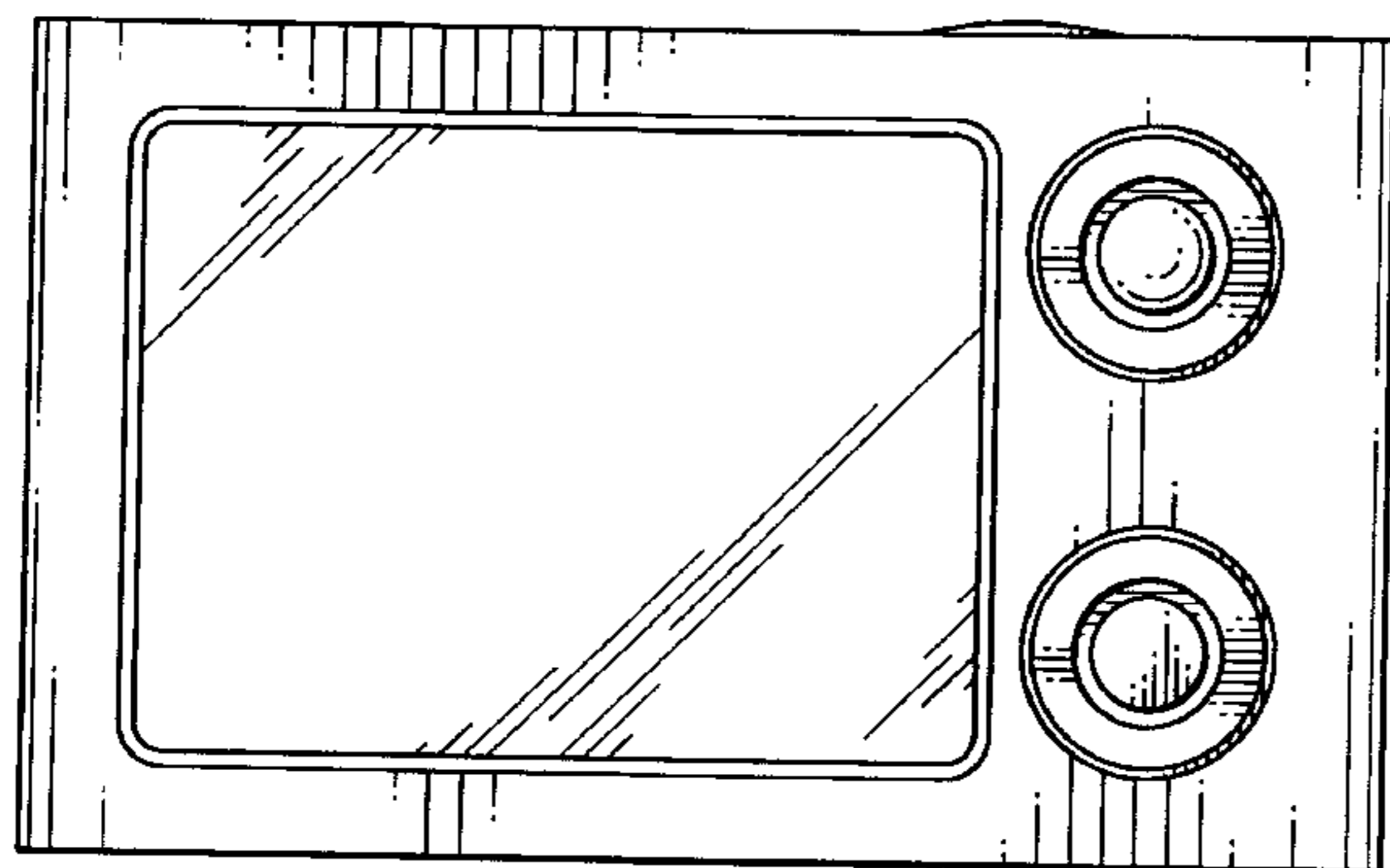
FIG. 7 is a front elevational view of the digital camera with the front cover opened, the rear view being the same as FIG. 2;

FIG. 8 is a top plan view thereof;

FIG. 9 is a bottom plan view thereof, the left side and right side views being the same as FIGS. 3 and 4, respectively; and,

FIG. 10 is a perspective view of the digital camera taken from the front, top and right side thereof with the front cover opened.

1 Claim, 5 Drawing Sheets



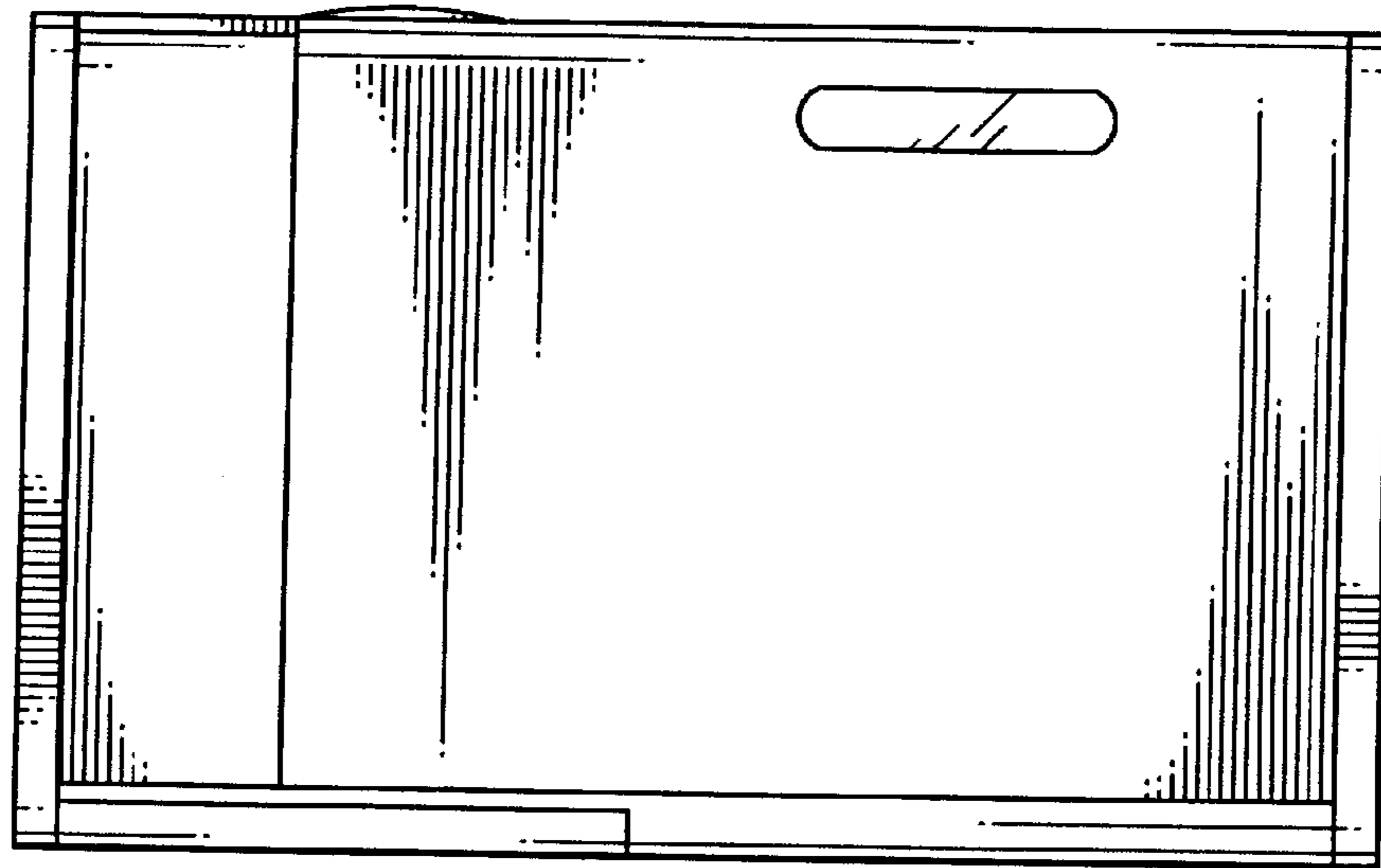


FIG. 1

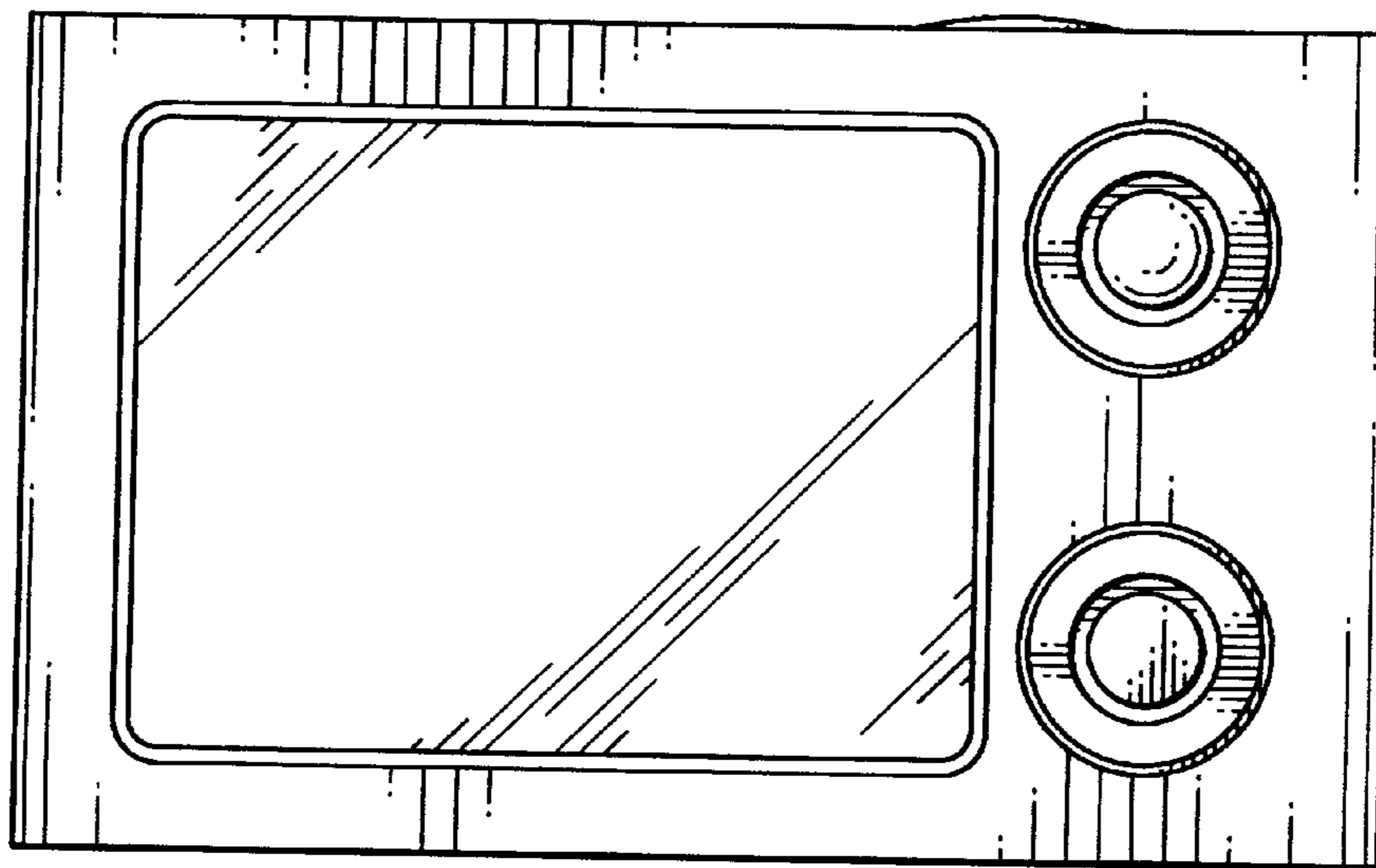


FIG. 2

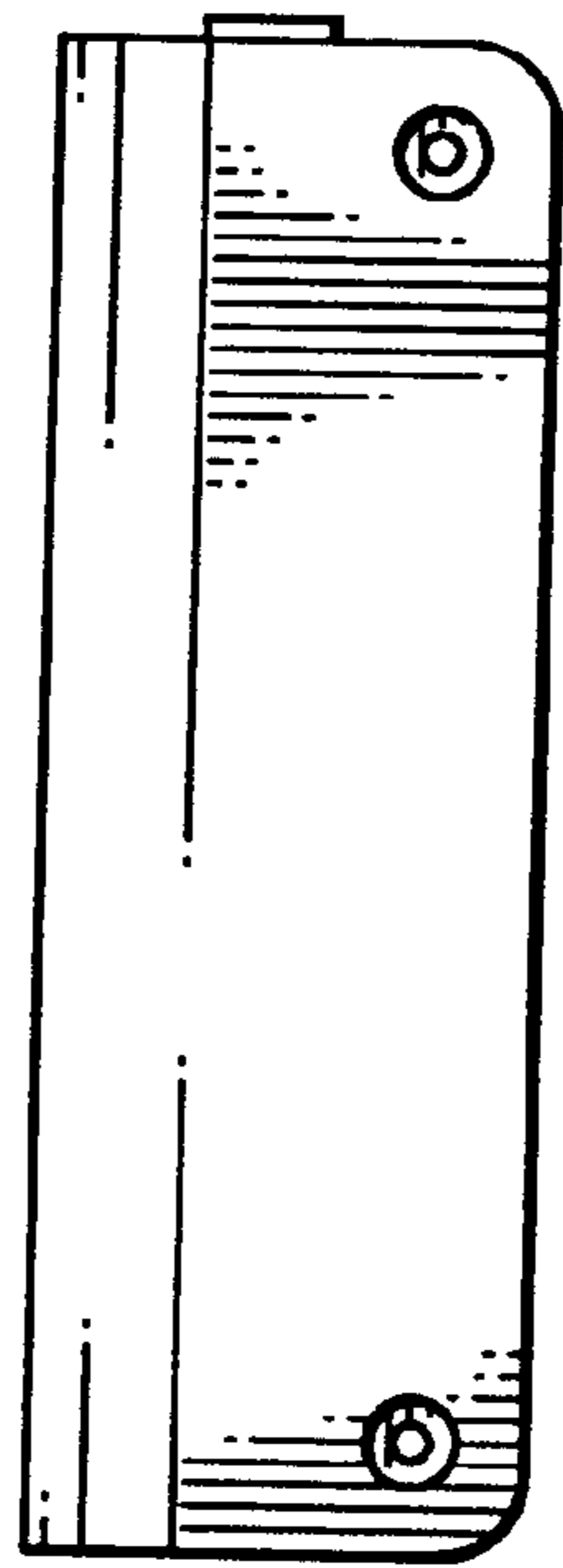


FIG. 3

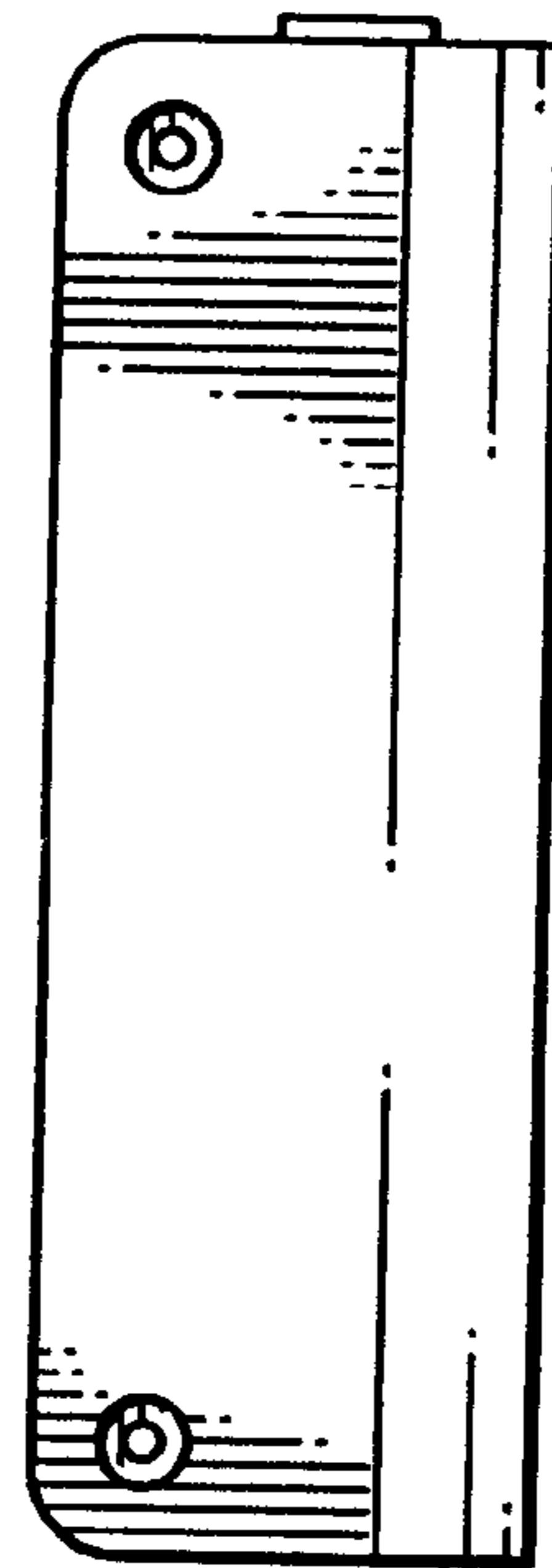


FIG. 4

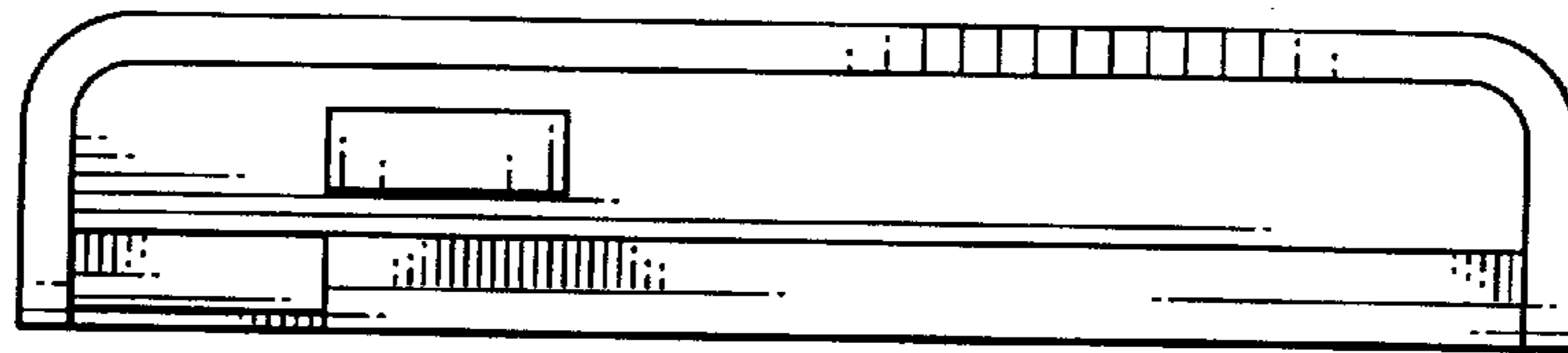


FIG. 5

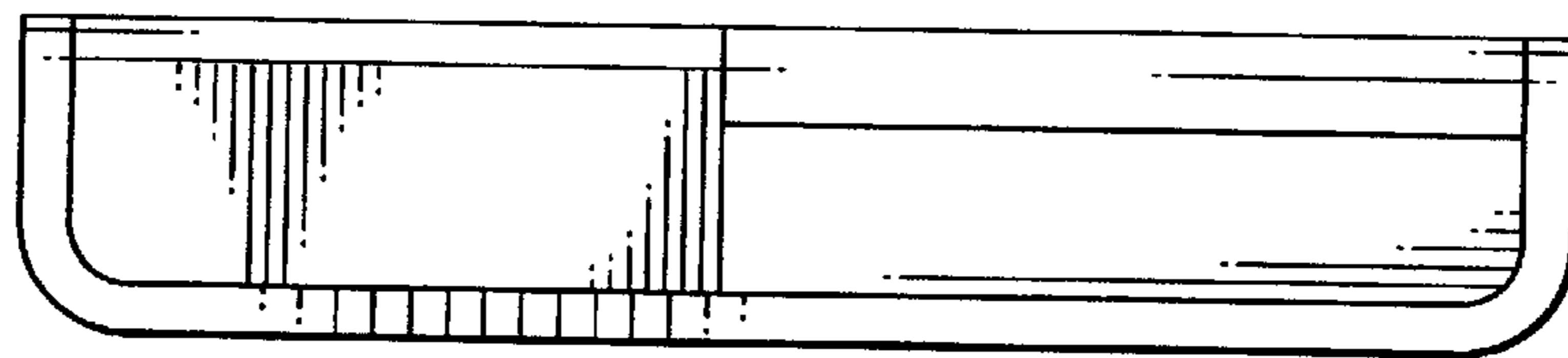


FIG. 6

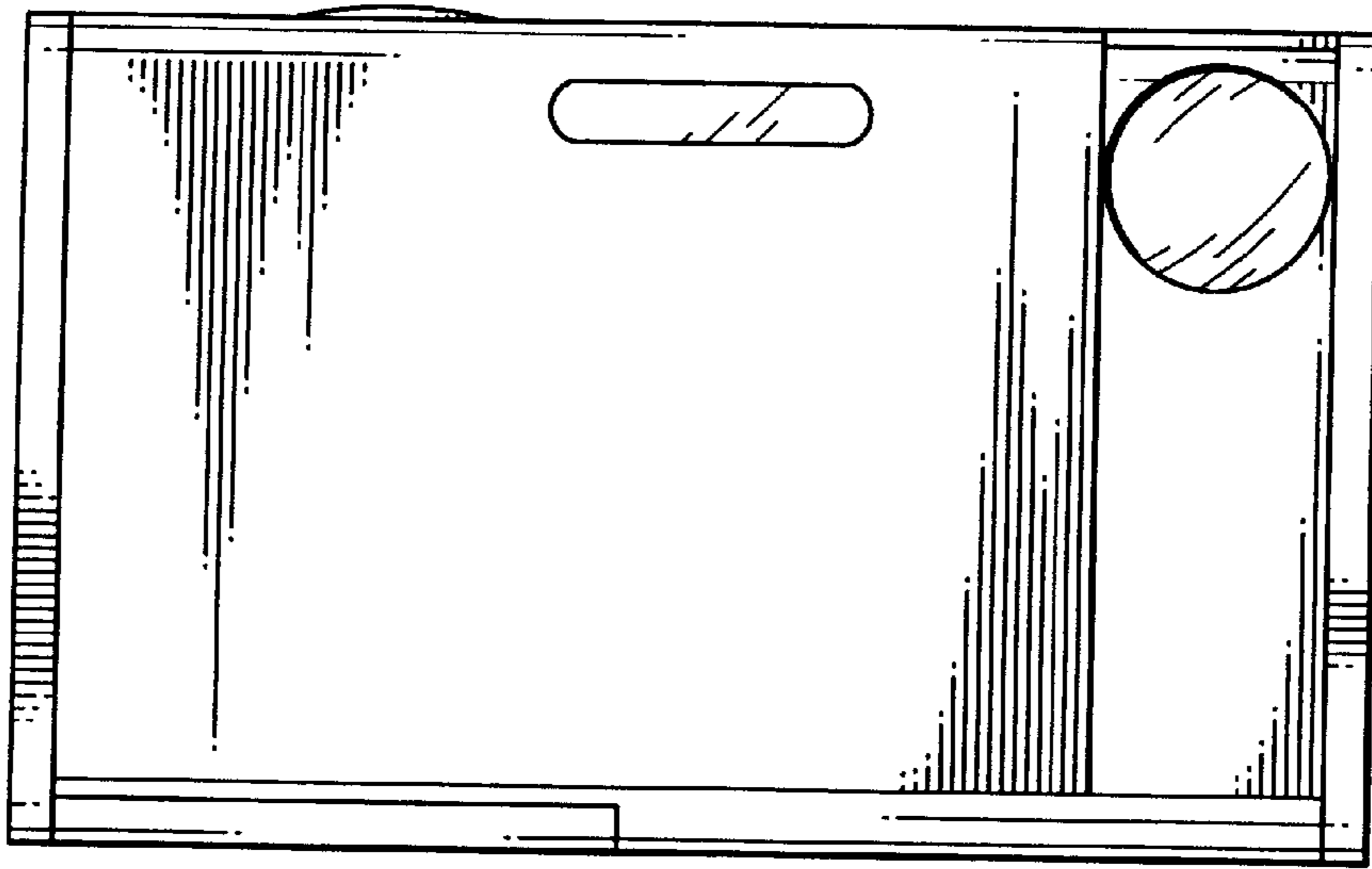


FIG. 7

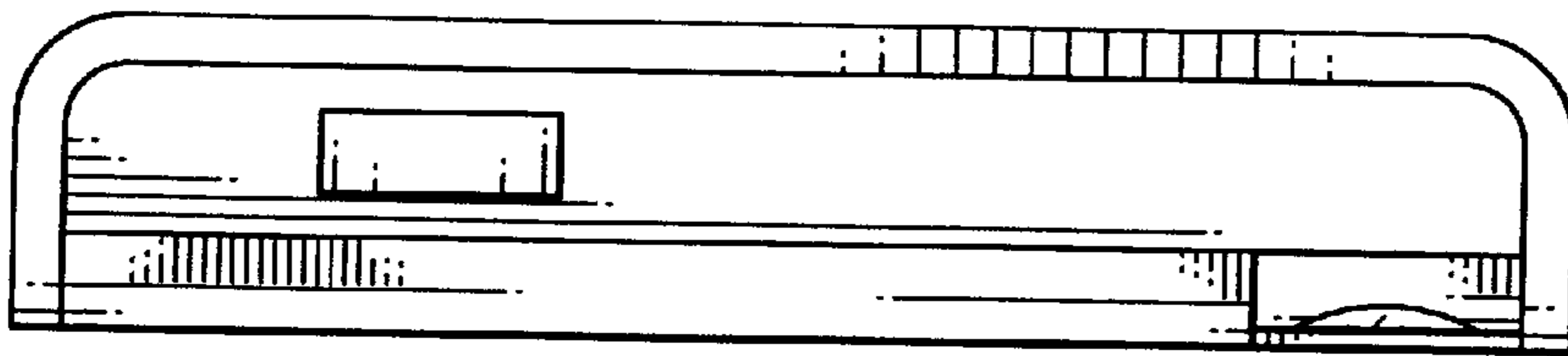


FIG. 8

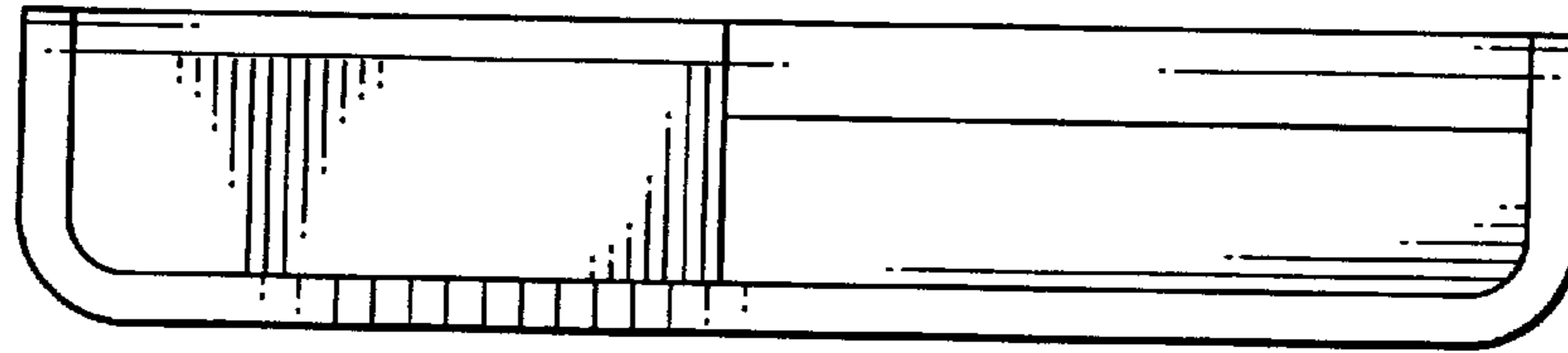


FIG. 9

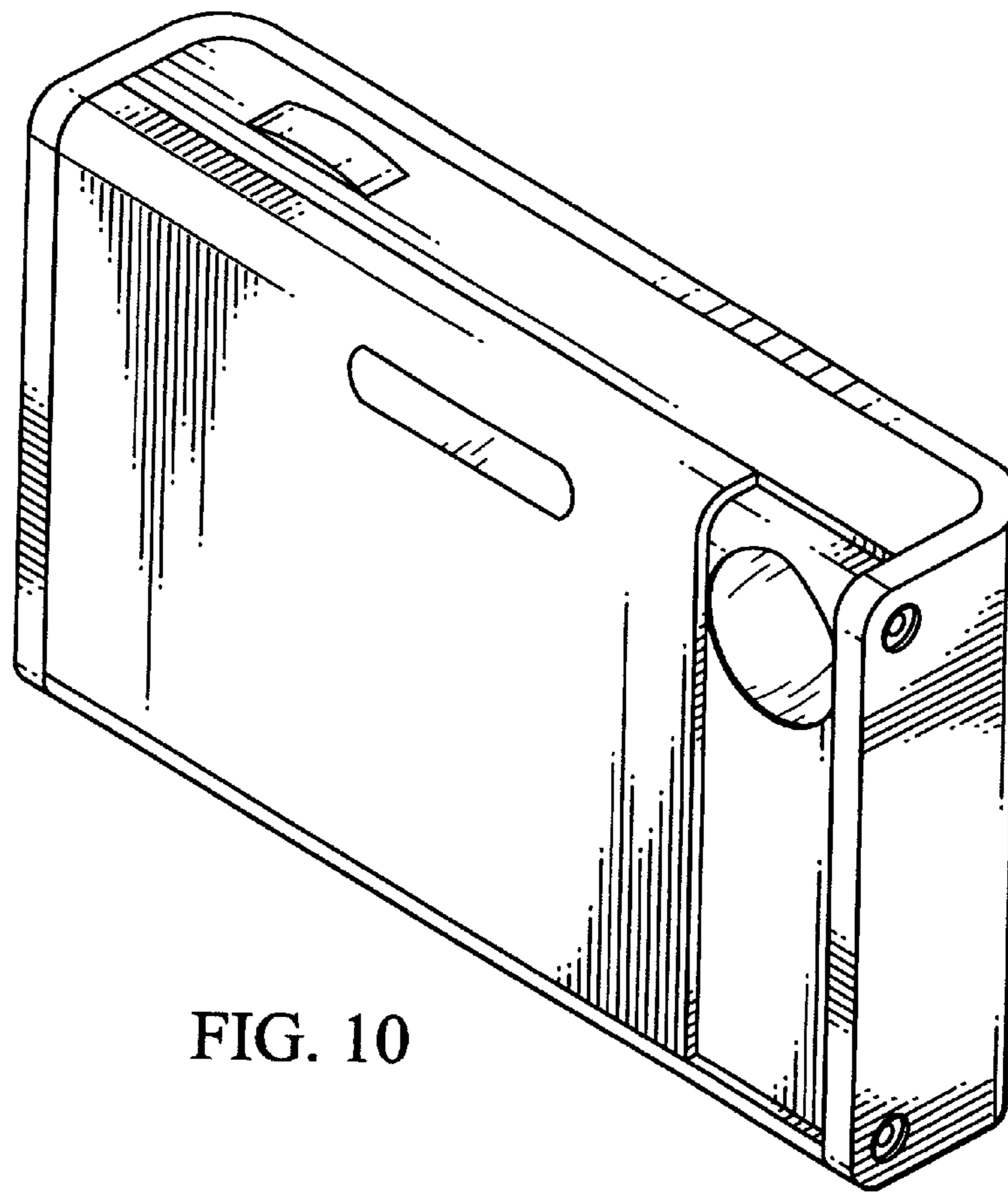


FIG. 10