



US00D541833S

(12) **United States Design Patent**
Udo

(10) **Patent No.:** **US D541,833 S**

(45) **Date of Patent:** **** May 1, 2007**

(54) **VISUAL AID**

(76) **Inventor:** **Umo Udo**, 14895 Easter Ave., Apple Valley, MN (US) 55124

(**) **Term:** **14 Years**

(21) **Appl. No.:** **29/242,389**

(22) **Filed:** **Nov. 9, 2005**

(51) **LOC (8) Cl.** **16-06**

(52) **U.S. Cl.** **D16/135**

(58) **Field of Classification Search** D16/130,
D16/135; D3/207; D19/75; D8/99, 104; D26/37;
359/802, 803, 805, 808, 810, 811, 812, 236;
362/109, 118, 157, 158, 253

See application file for complete search history.

(56) **References Cited**

U.S. PATENT DOCUMENTS

D178,766 S	*	9/1956	Cressaty	D16/135
3,129,695 A		4/1964	Adelman		
3,712,712 A		1/1973	Bosma		
4,137,863 A		2/1979	Anglin		
D265,964 S	*	8/1982	Henkels	D8/104

4,483,588 A		11/1984	Dalbo et al.		
5,309,279 A		5/1994	Halstead		
D372,924 S	*	8/1996	Fisherman	D16/135
5,663,828 A	*	9/1997	Knowles et al.	359/237
D497,377 S	*	10/2004	Waggoner et al.	D16/135
D501,781 S	*	2/2005	Galli	D8/99
D517,582 S	*	3/2006	Oas	D16/135

* cited by examiner

Primary Examiner—Paula A. Greene

(74) *Attorney, Agent, or Firm*—Lawrence J. Gibney, Jr.

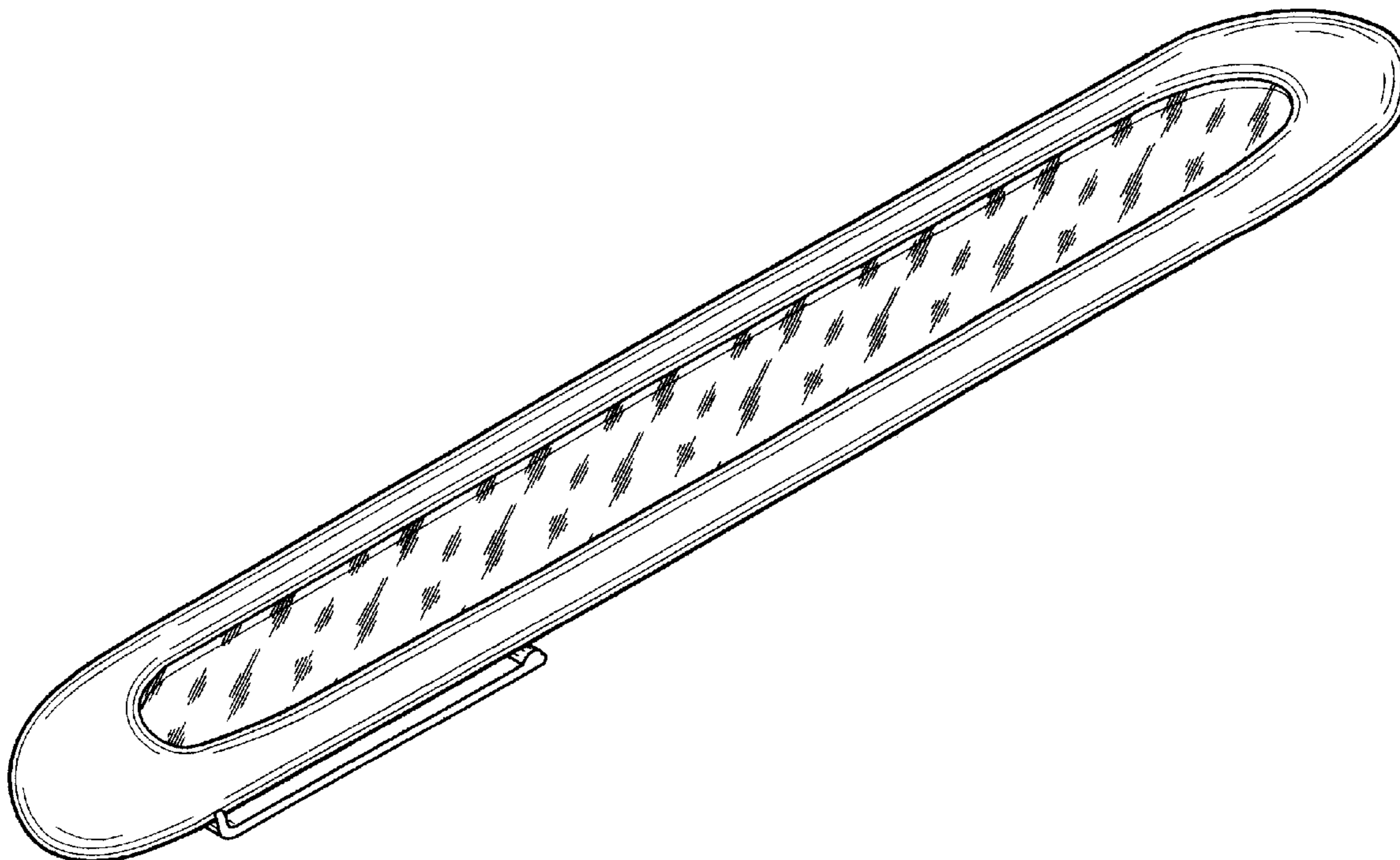
(57) **CLAIM**

The ornamental design for visual aid, as shown and described.

DESCRIPTION

FIG. 1 is a top view of a visual aid showing my new design;
FIG. 2 is a bottom view of the device.
FIG. 3 is a right side view of the device.
FIG. 4 is a left side view of the device.
FIG. 5 is a back view of the device.
FIG. 6 is a front side view of the device; and,
FIG. 7 is an isometric view of the device.

1 Claim, 2 Drawing Sheets



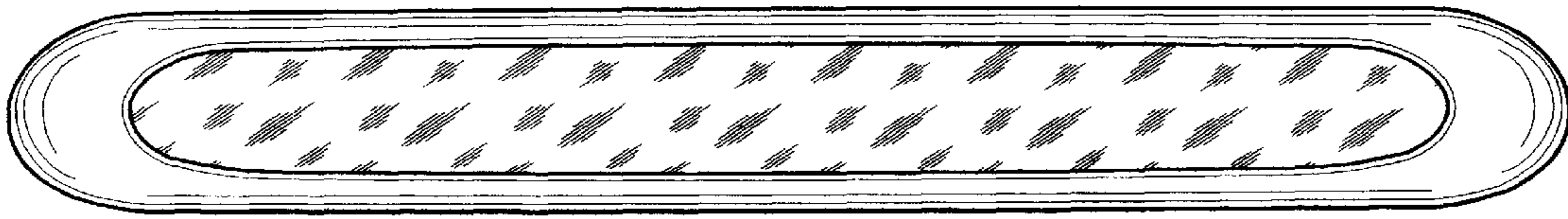


FIG. 1

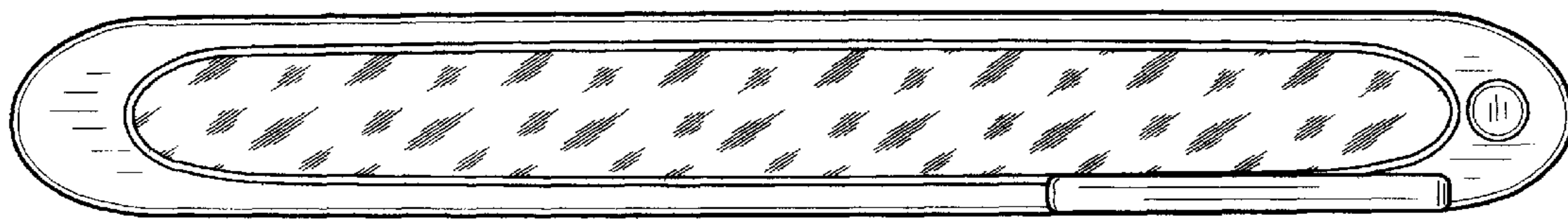


FIG. 2



FIG. 3

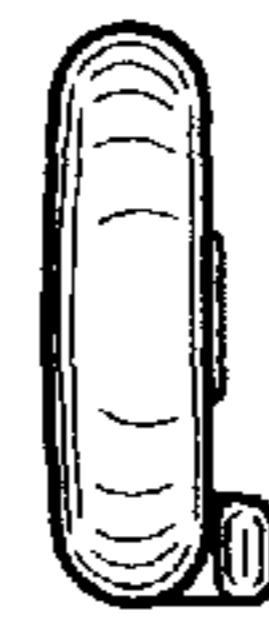


FIG. 4

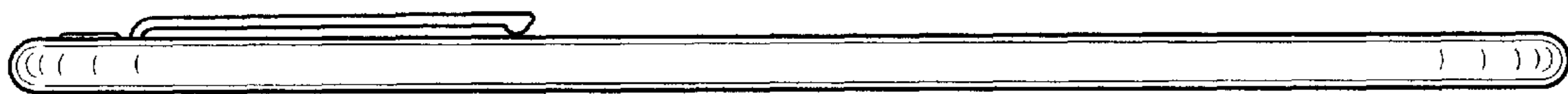


FIG. 5

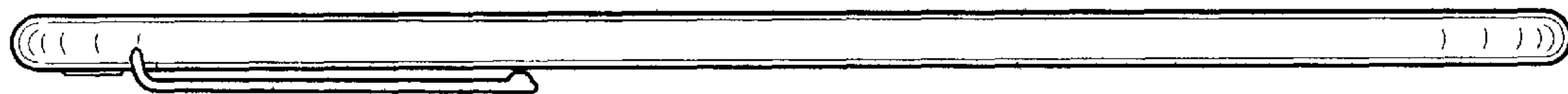


FIG. 6

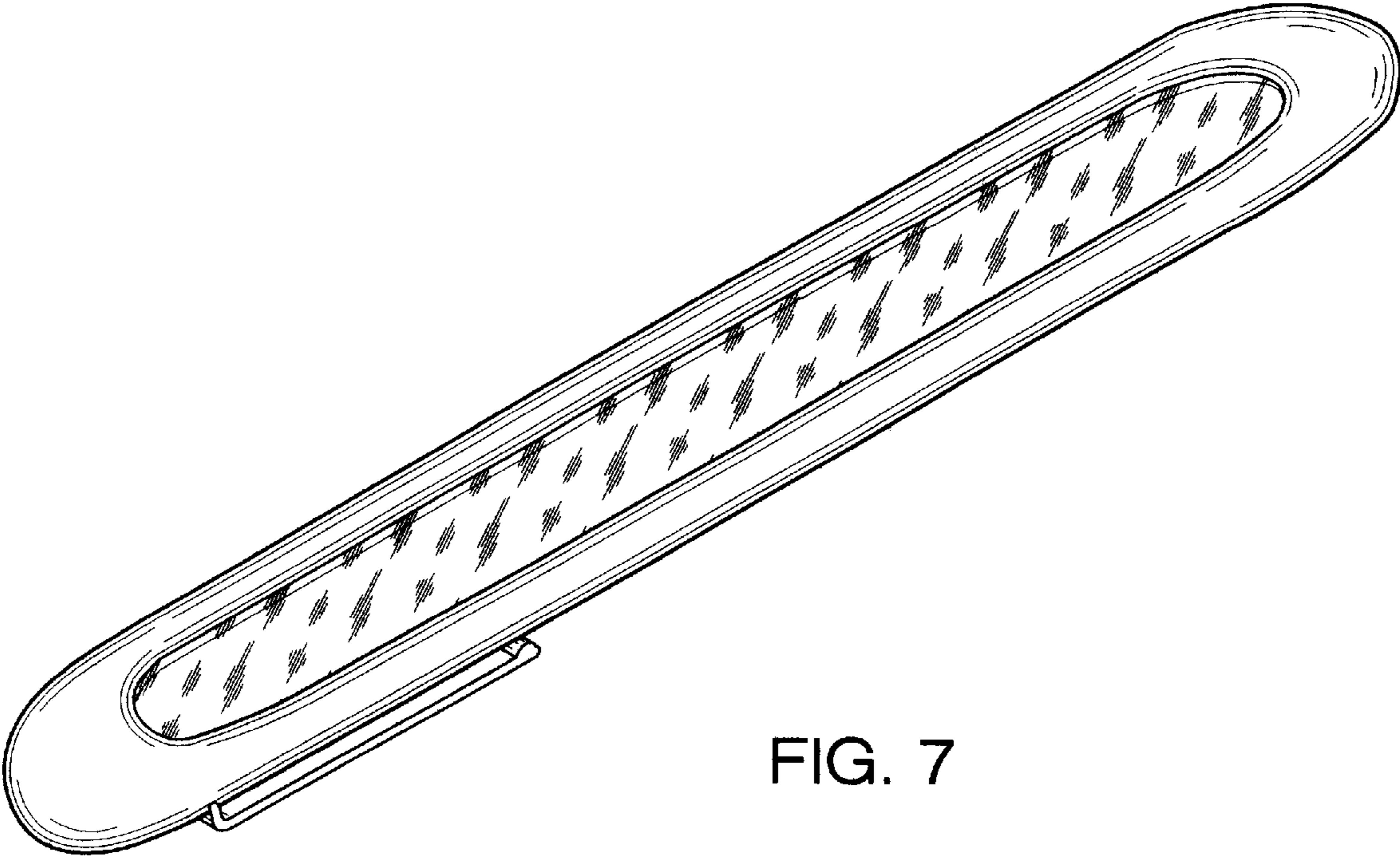


FIG. 7