



US00D541832S

(12) **United States Design Patent**
Grace

(10) **Patent No.:** **US D541,832 S**

(45) **Date of Patent:** **** May 1, 2007**

(54) **GRATICULE FOR GOLF SCOPE**
(76) **Inventor:** **Timothy Grace**, 2253 Quail Ride
North, Palm Beach Gardens, FL (US)
33418

(**) **Term:** **14 Years**

(21) **Appl. No.:** **29/256,159**

(22) **Filed:** **Mar. 16, 2006**

(51) **LOC (8) Cl.** **16-06**

(52) **U.S. Cl.** **D16/130; D16/136**

(58) **Field of Classification Search** D16/130,
D16/136; D20/10, 11, 12, 13, 39; D34/15;
D11/106; 40/1, 1.5, 1.6, 538, 540-553, 564,
40/628, 629; 33/245-247, 250, 277, 297,
33/228; 356/159; 42/122, 133; 351/159; 280/769;
D12/85, 16

See application file for complete search history.

(56) **References Cited**

U.S. PATENT DOCUMENTS

1,428,389 A * 9/1922 Miller 42/133
D188,718 S * 8/1960 Laher D12/85

3,190,003 A * 6/1965 O'Brien 33/297
3,392,450 A * 7/1968 Herter et al. 42/122
3,431,652 A * 3/1969 Leatherwood 42/122
4,777,744 A * 10/1988 Barnett 40/1.6
4,912,853 A * 4/1990 McDonnell et al. 33/228
5,069,481 A * 12/1991 Strange 280/769
D397,704 S * 9/1998 Reese D16/130
6,032,374 A * 3/2000 Sammut 42/122
D444,817 S * 7/2001 Russell D20/11
D522,030 S * 5/2006 Jenkinson D16/130

* cited by examiner

Primary Examiner—Paula A. Greene

(74) *Attorney, Agent, or Firm*—Sacco & Associates, PA;
Robert J. Sacco

(57) **CLAIM**

The ornamental design for a graticule for a golf scope, as shown and described.

DESCRIPTION

FIG. 1 is a front elevational view of a graticule for a golf scope showing my new design;
FIG. 2 is a side elevational view thereof; and,
FIG. 3 is a rear elevational view thereof.

1 Claim, 2 Drawing Sheets

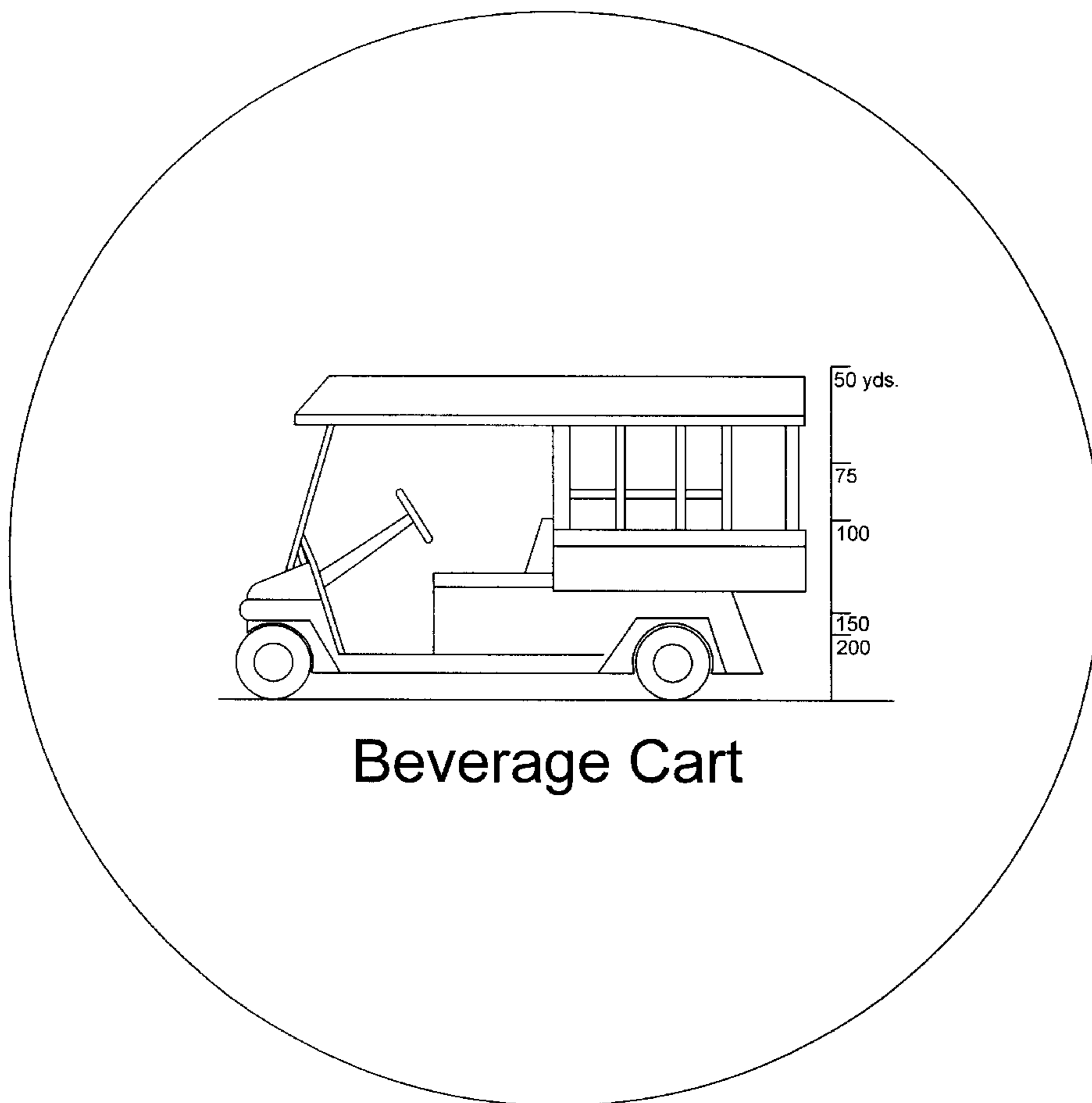


FIG. 1

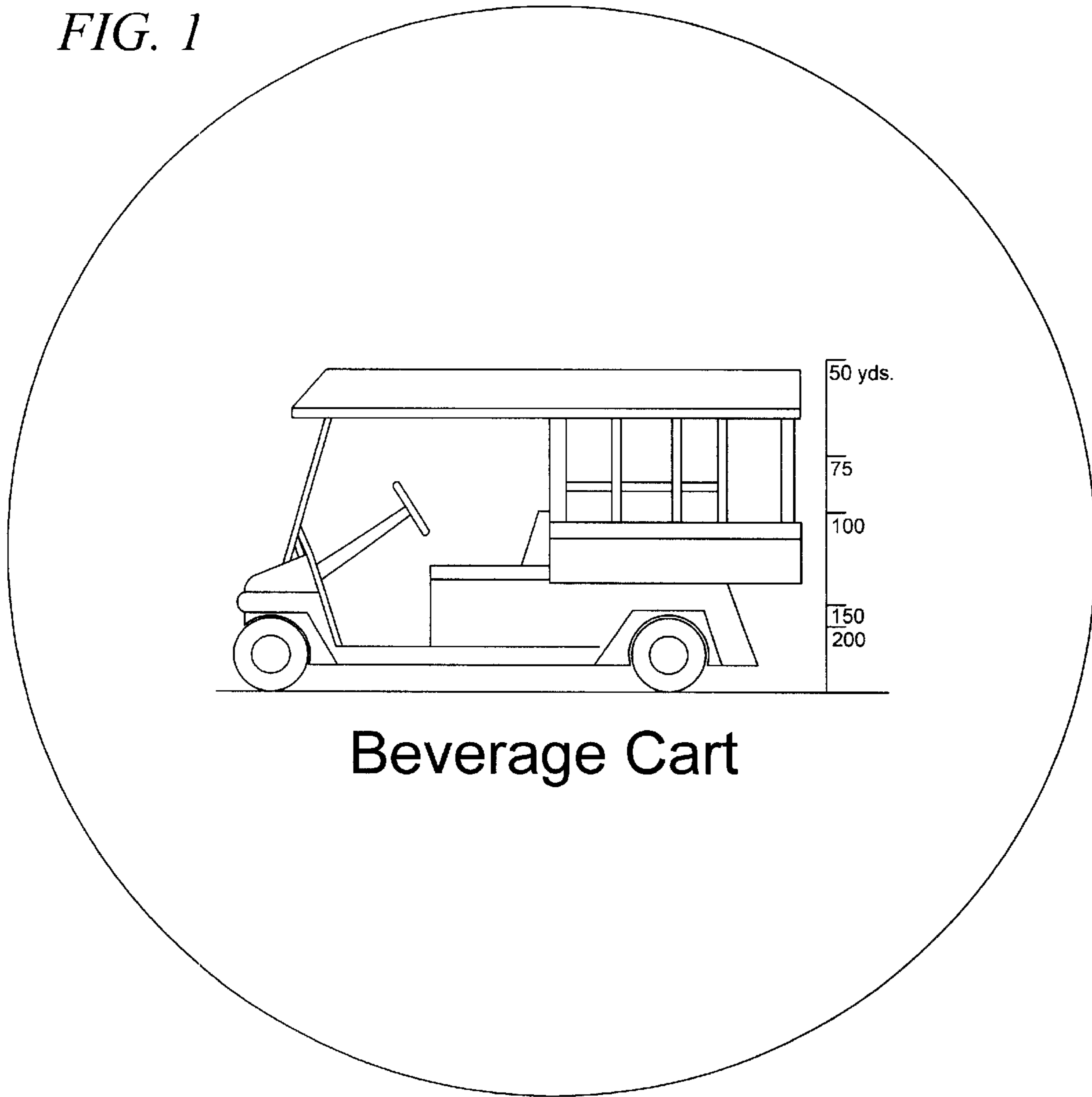


FIG. 2

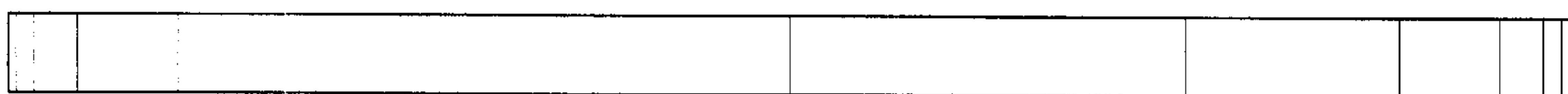
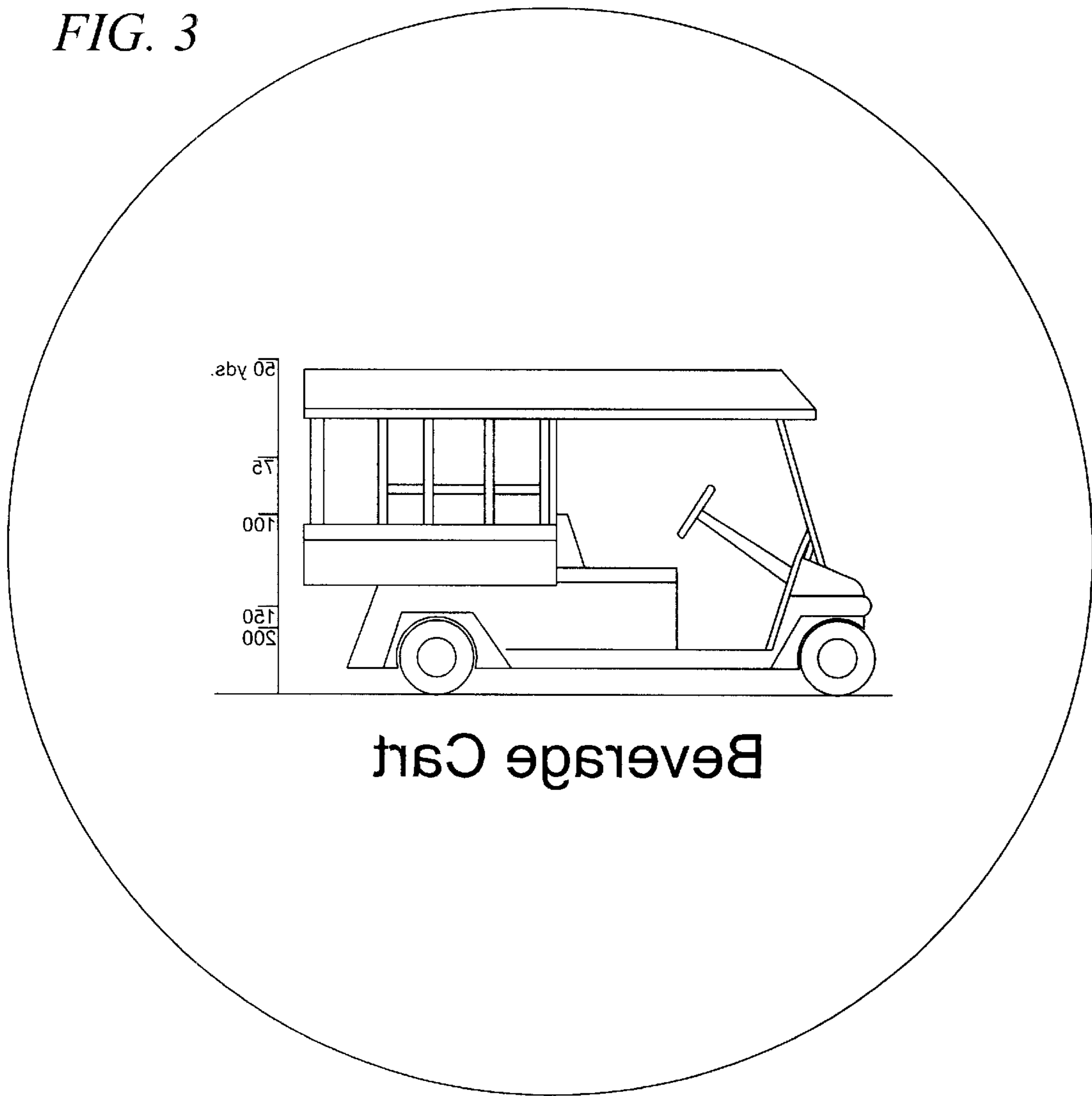


FIG. 3



Beverage Cart