



US00D541831S

(12) **United States Design Patent**
Miyanaga

(10) **Patent No.:** **US D541,831 S**

(45) **Date of Patent:** **** May 1, 2007**

(54) **HOLE CUTTER**

(75) Inventor: **Masaaki Miyanaga, Miki (JP)**

(73) Assignee: **Kabushiki Kaisha Miyanaga (JP)**

(**) Term: **14 Years**

(21) Appl. No.: **29/243,871**

(22) Filed: **Dec. 1, 2005**

(30) **Foreign Application Priority Data**

Jun. 3, 2005 (JP) 2005-016125

(51) **LOC (8) Cl.** **15-09**

(52) **U.S. Cl.** **D15/139**

(58) **Field of Classification Search** D15/138,
D15/139; 175/57, 257-259, 266, 292, 296,
175/300, 309, 330, 385, 405.1, 413-415
See application file for complete search history.

(56) **References Cited**

U.S. PATENT DOCUMENTS

4,128,136 A	*	12/1978	Generoux	175/405.1
4,208,154 A	*	6/1980	Gundy	D15/139
D481,045 S	*	10/2003	Ahn	D15/139
D505,435 S	*	5/2005	Charland et al.	D15/139
2005/0279533 A1	*	12/2005	Corica	175/405.1

* cited by examiner

Primary Examiner—Antoine D. Davis

Assistant Examiner—Patricia Palasik

(74) *Attorney, Agent, or Firm*—Fitch, Even, Tabin & Flannery

(57) **CLAIM**

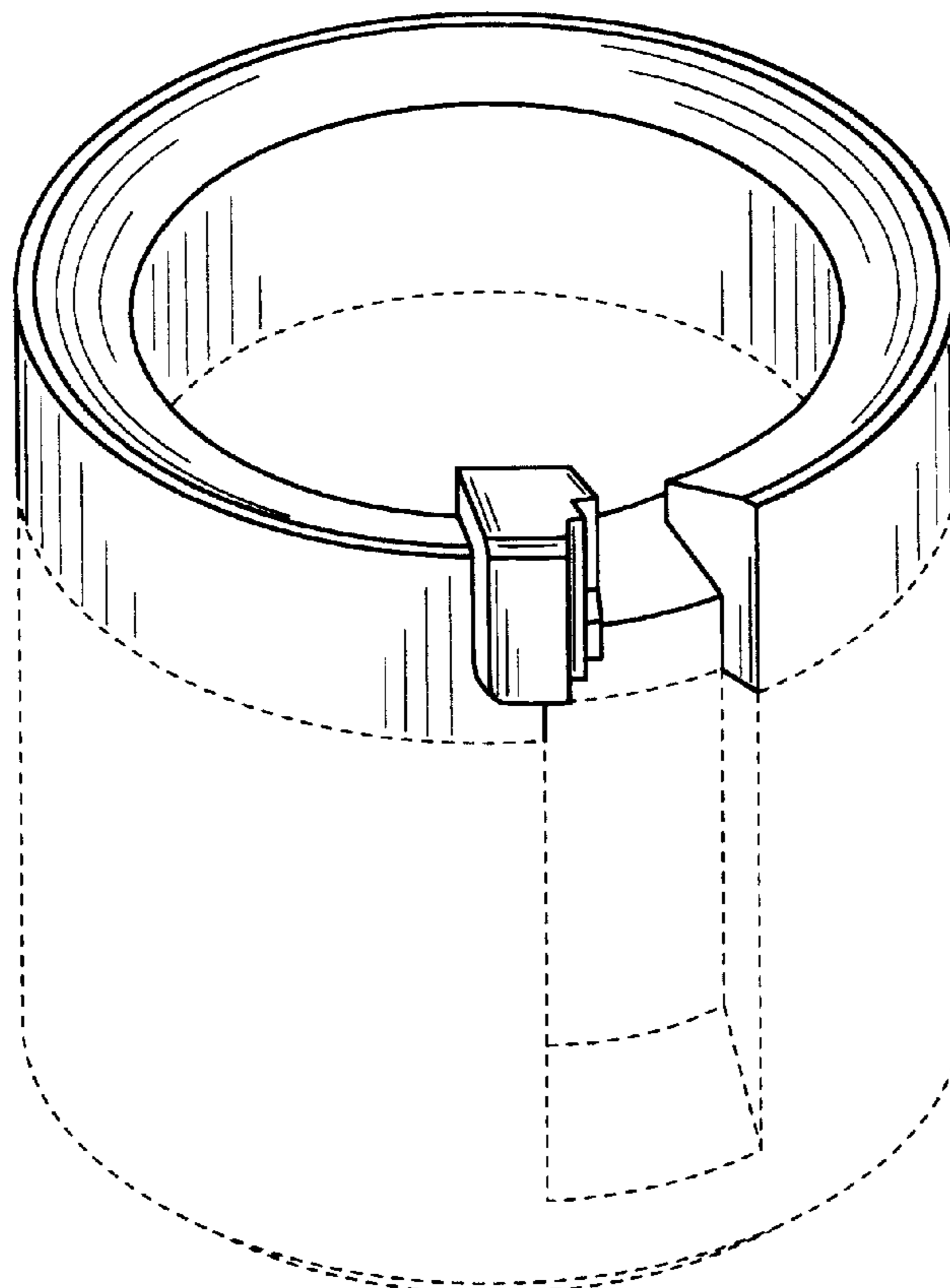
I claim the ornamental design for a hole cutter, as shown and described.

DESCRIPTION

FIG. 1 is a perspective view of a hole cutter;
FIG. 2 is a front elevational view of the hole cutter of FIG. 1;
FIG. 3 is a rear elevational view of the hole cutter of FIG. 1;
FIG. 4 is a top plan view of the hole cutter of FIG. 1;
FIG. 5 is a bottom plan view of the hole cutter of FIG. 1;
FIG. 6 is a left side elevational view of the hole cutter of FIG. 1;
FIG. 7 is a right side elevational view of the hole cutter of FIG. 1; and,
FIGS. 8, 9 and 10 are additional perspective views of the hole cutter of FIG. 1.

The broken line showing is included for the purpose of illustrating portions of the hole cutter and forms no part of the claimed design.

1 Claim, 6 Drawing Sheets



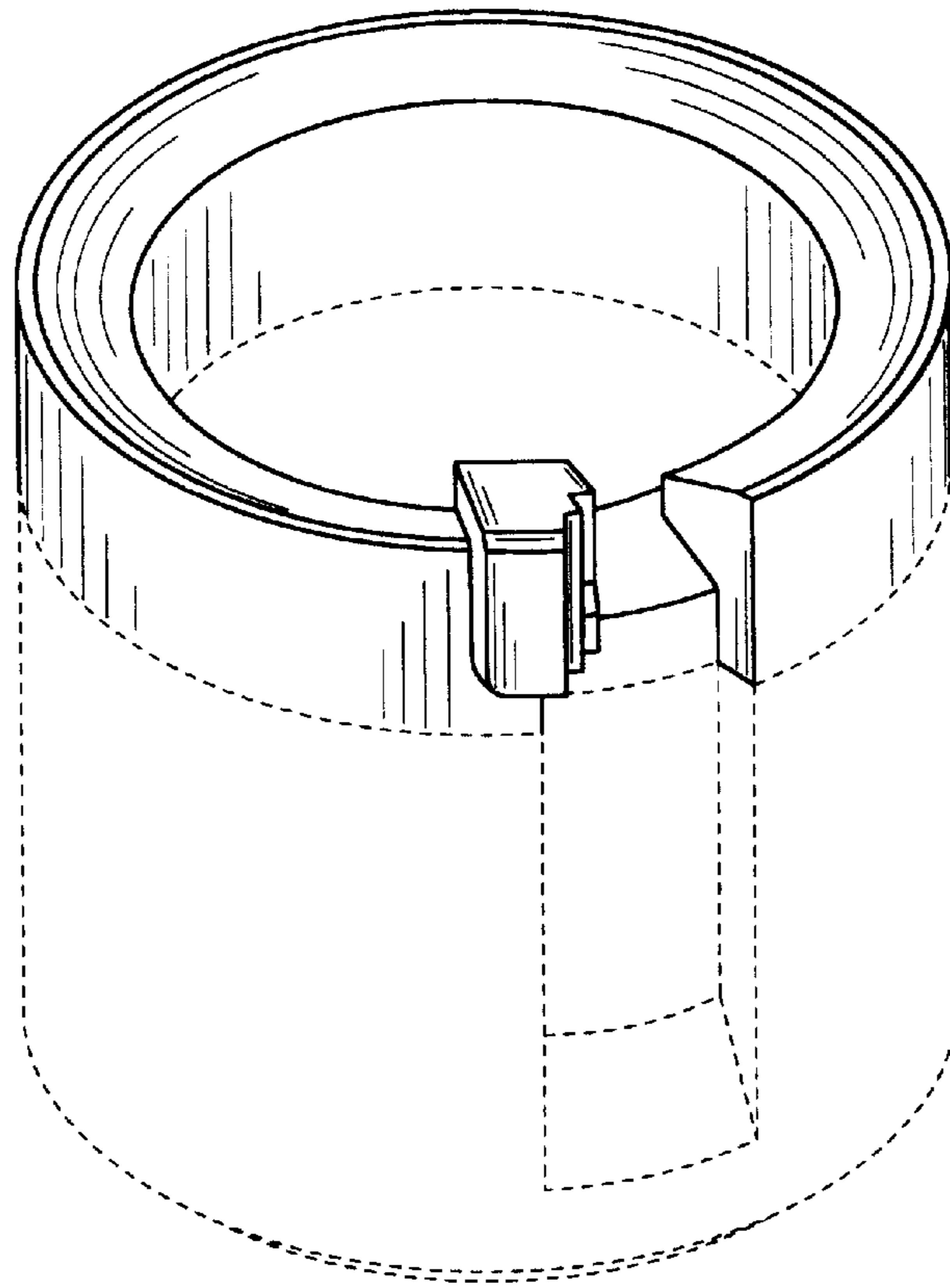


FIG. 1

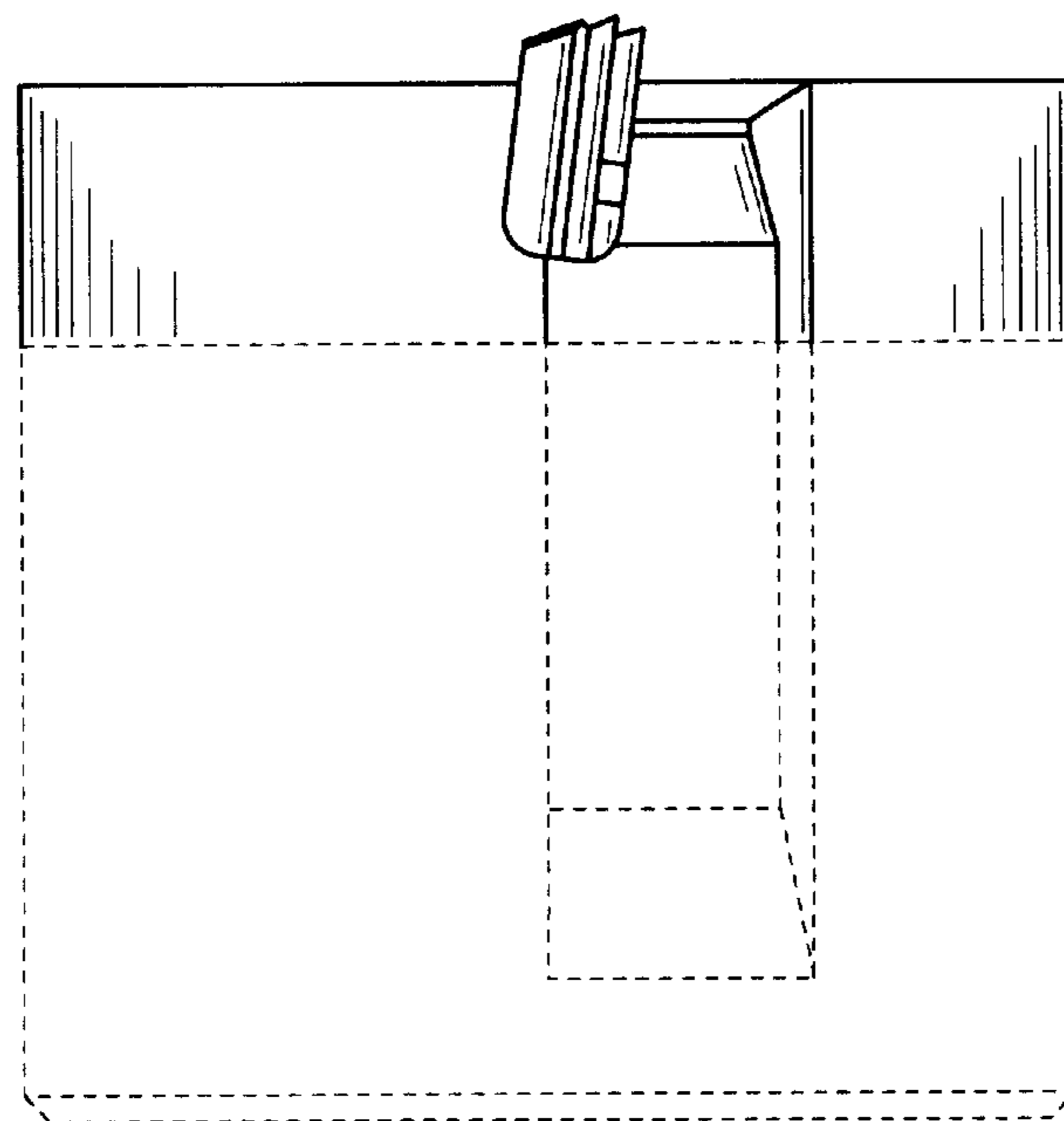


FIG. 2

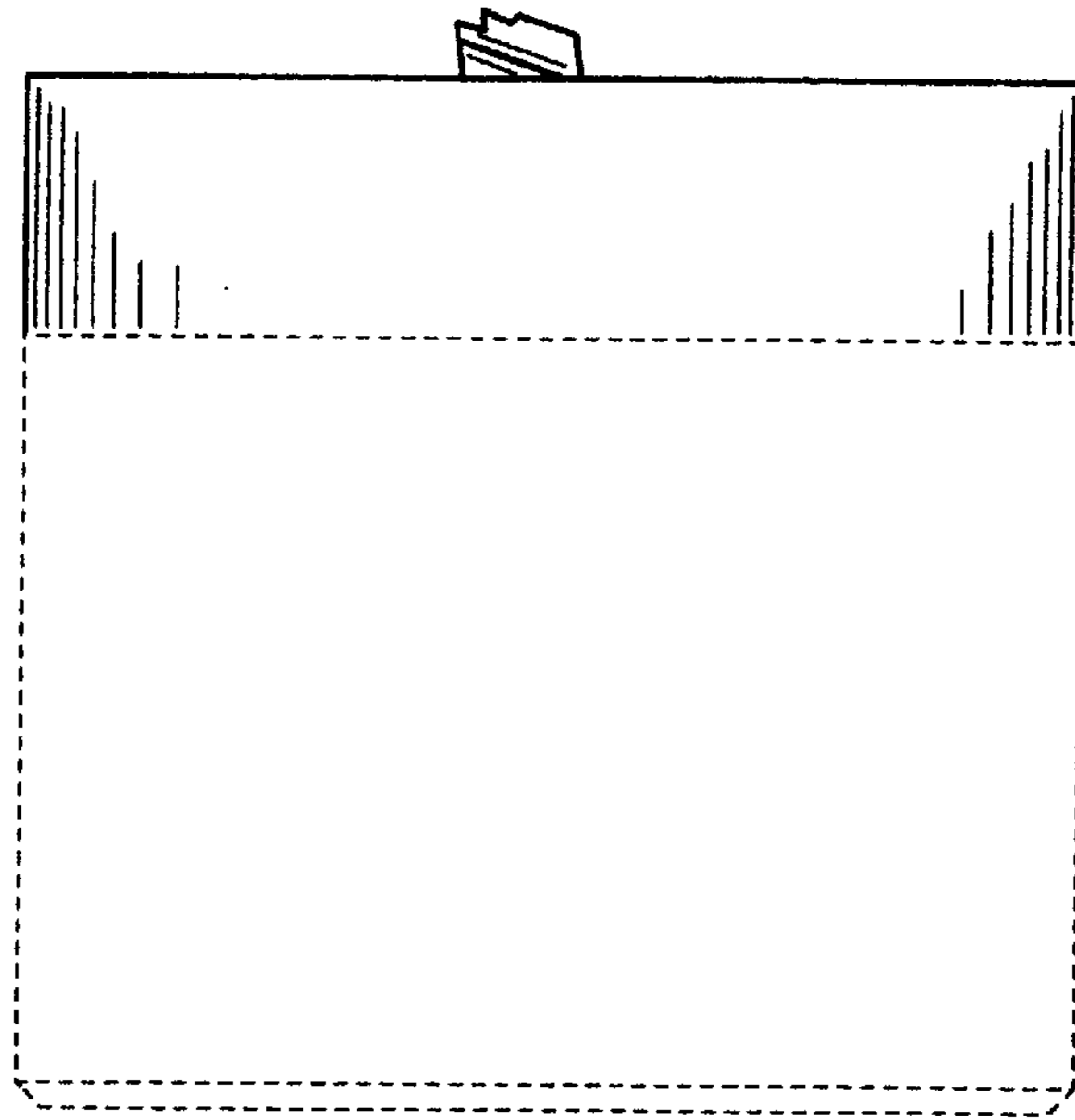


FIG. 3

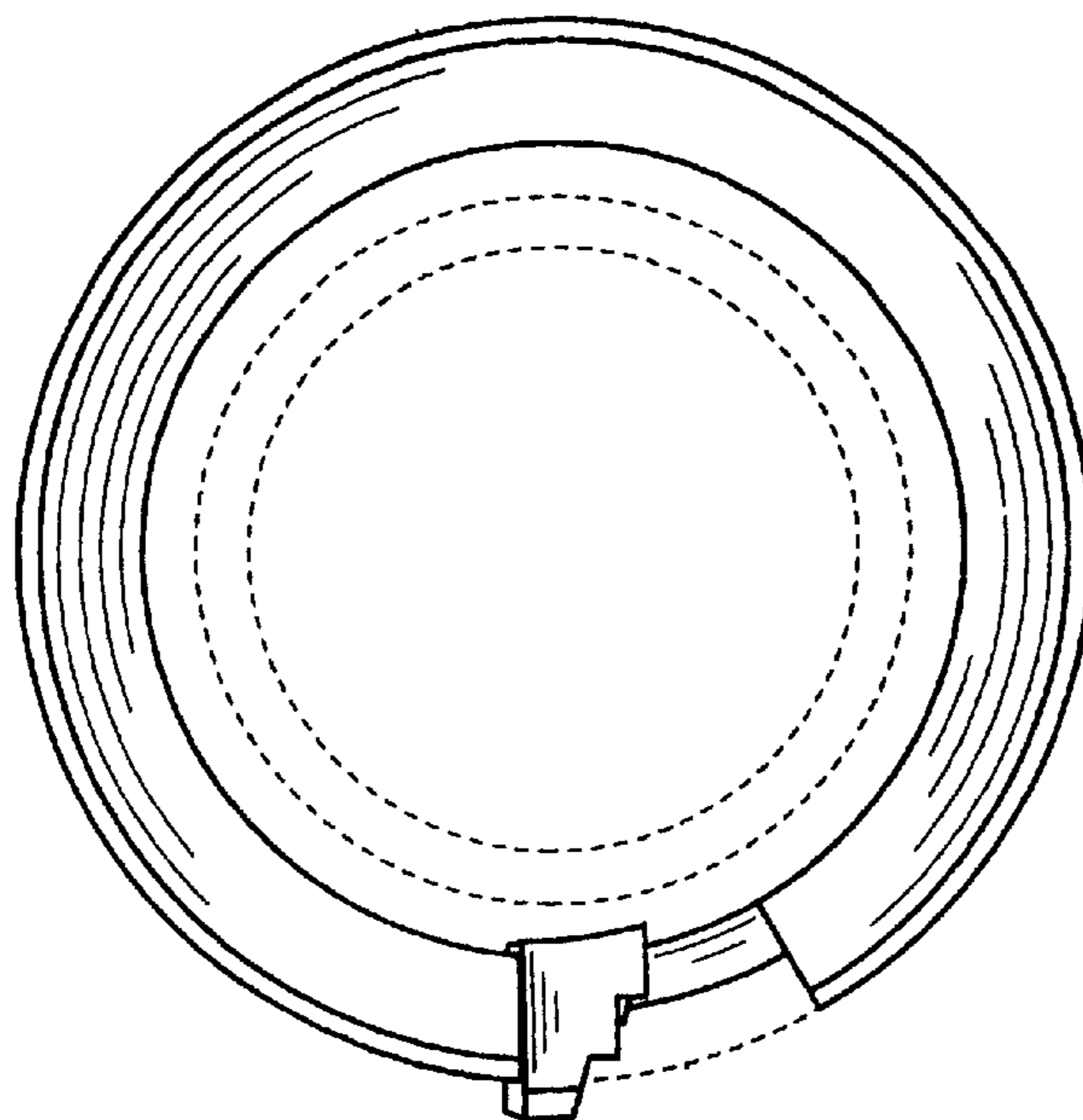


FIG. 4

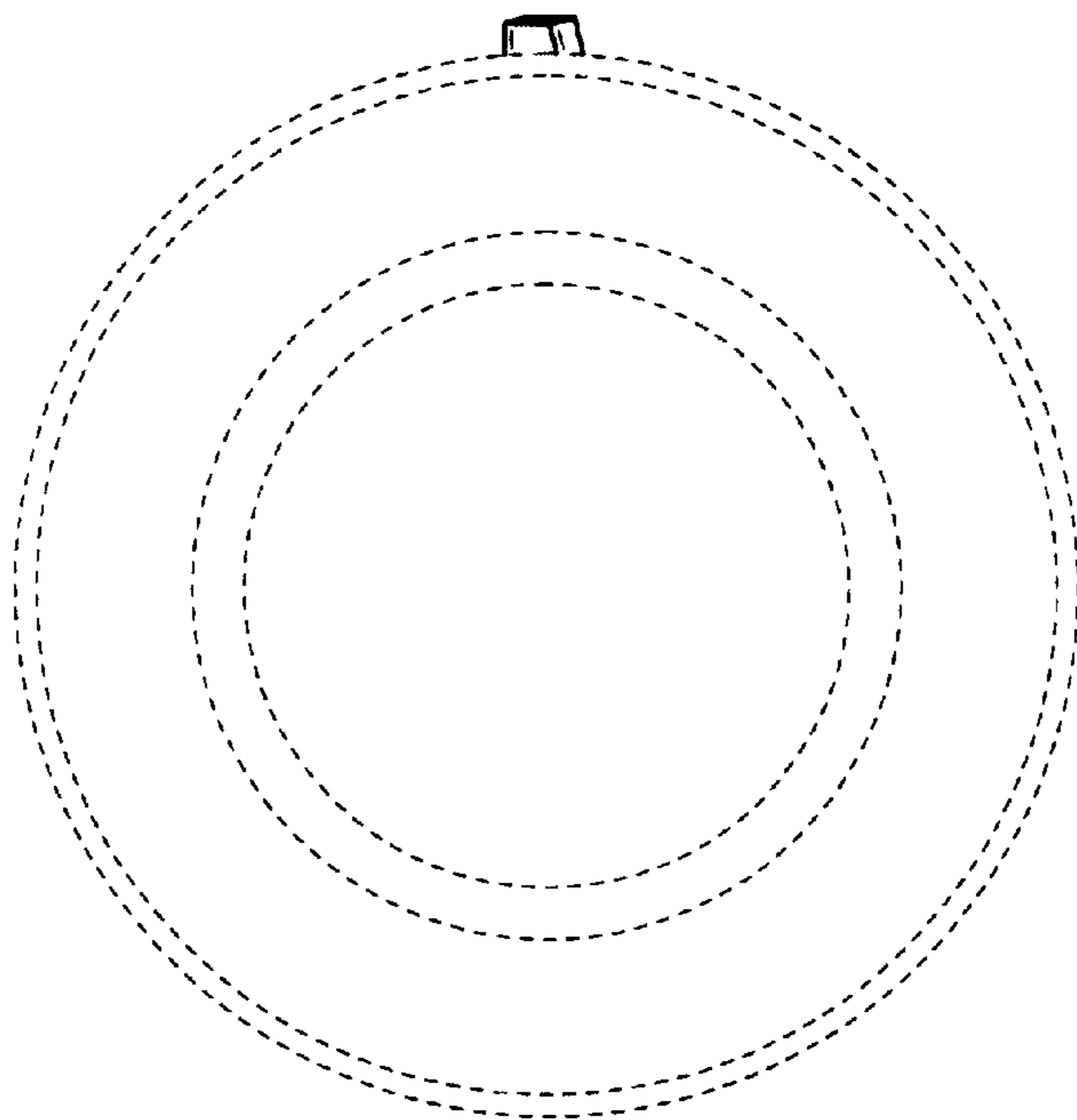


FIG. 5

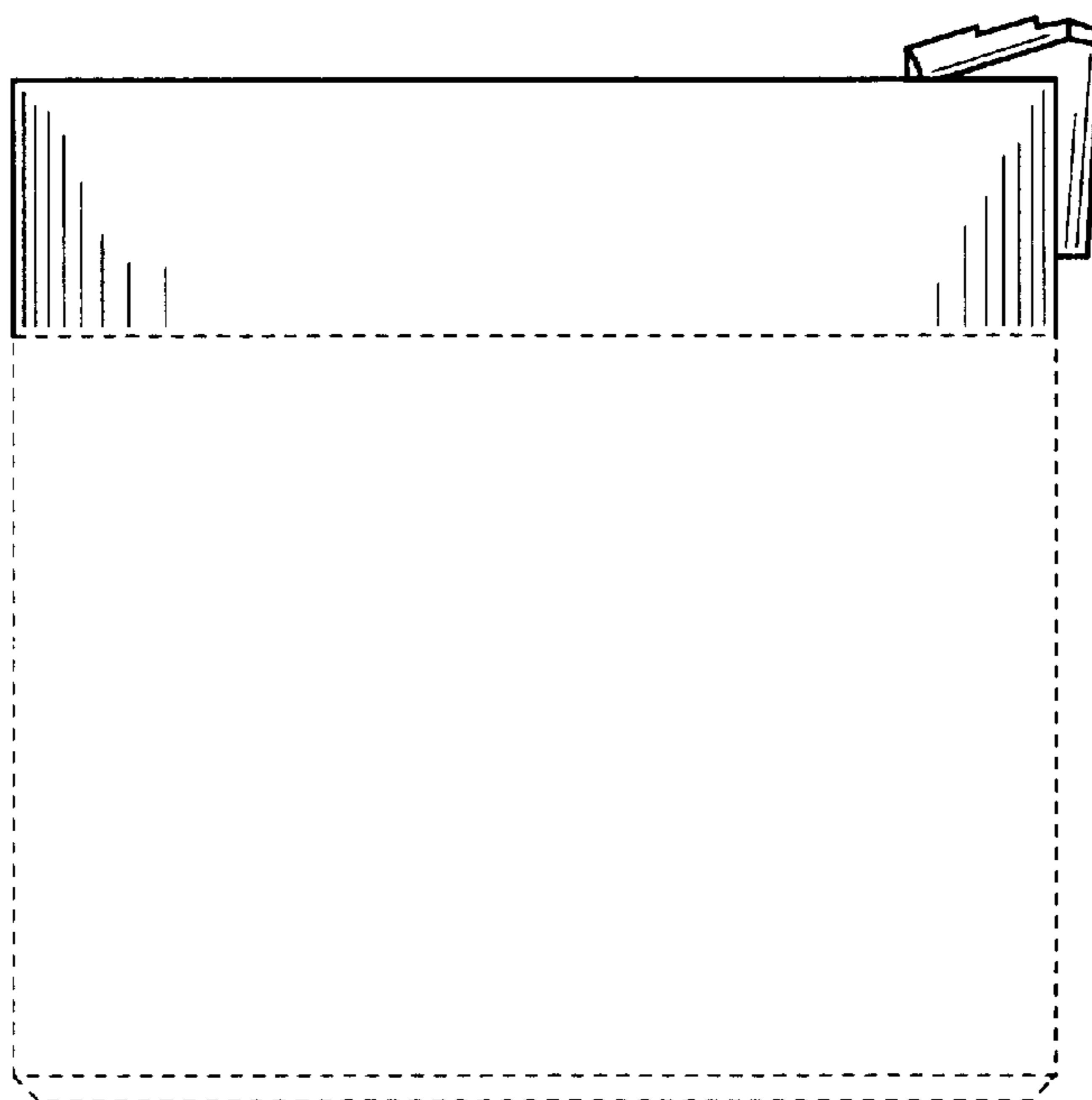


FIG. 6

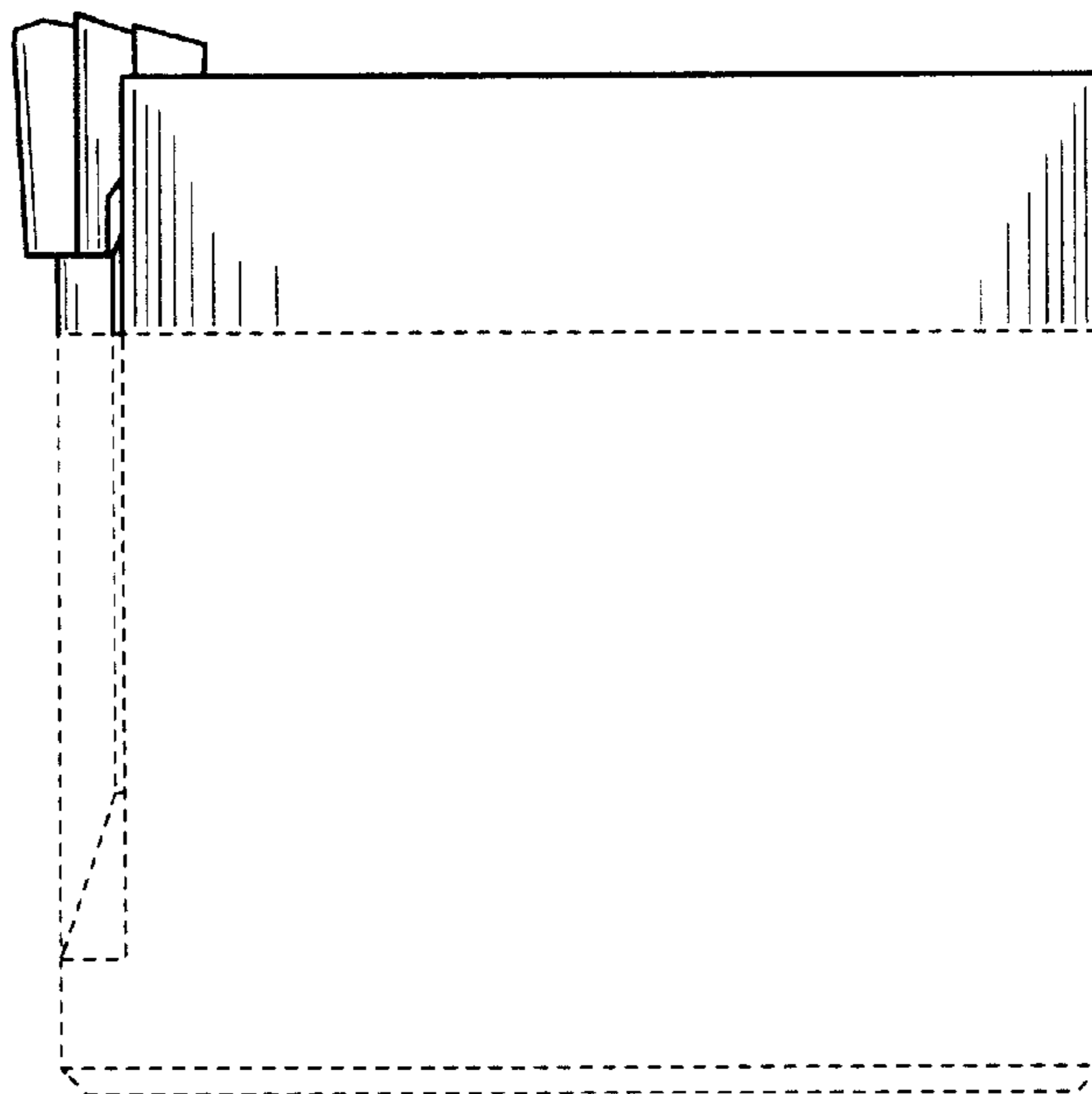


FIG. 7

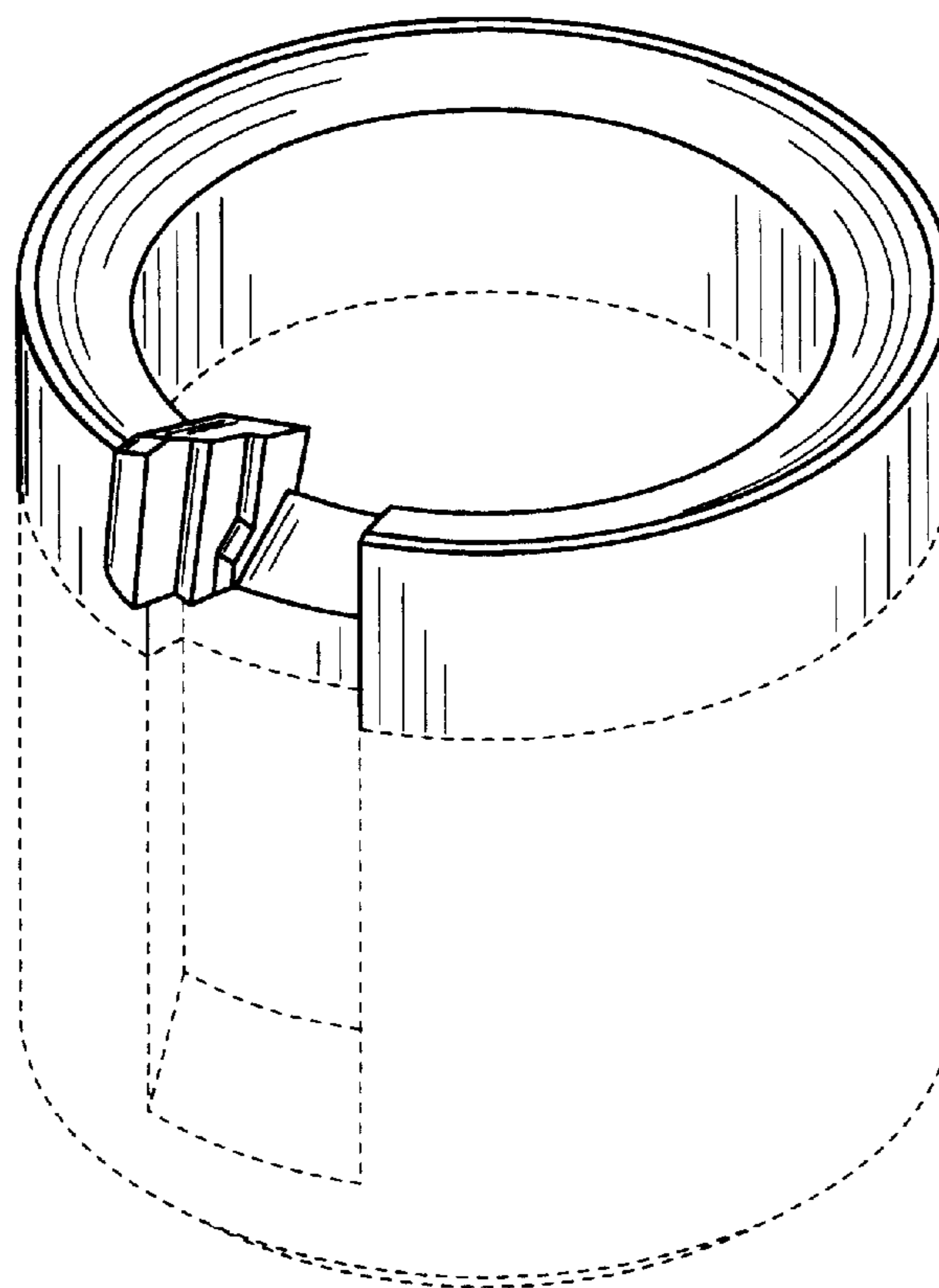


FIG. 8

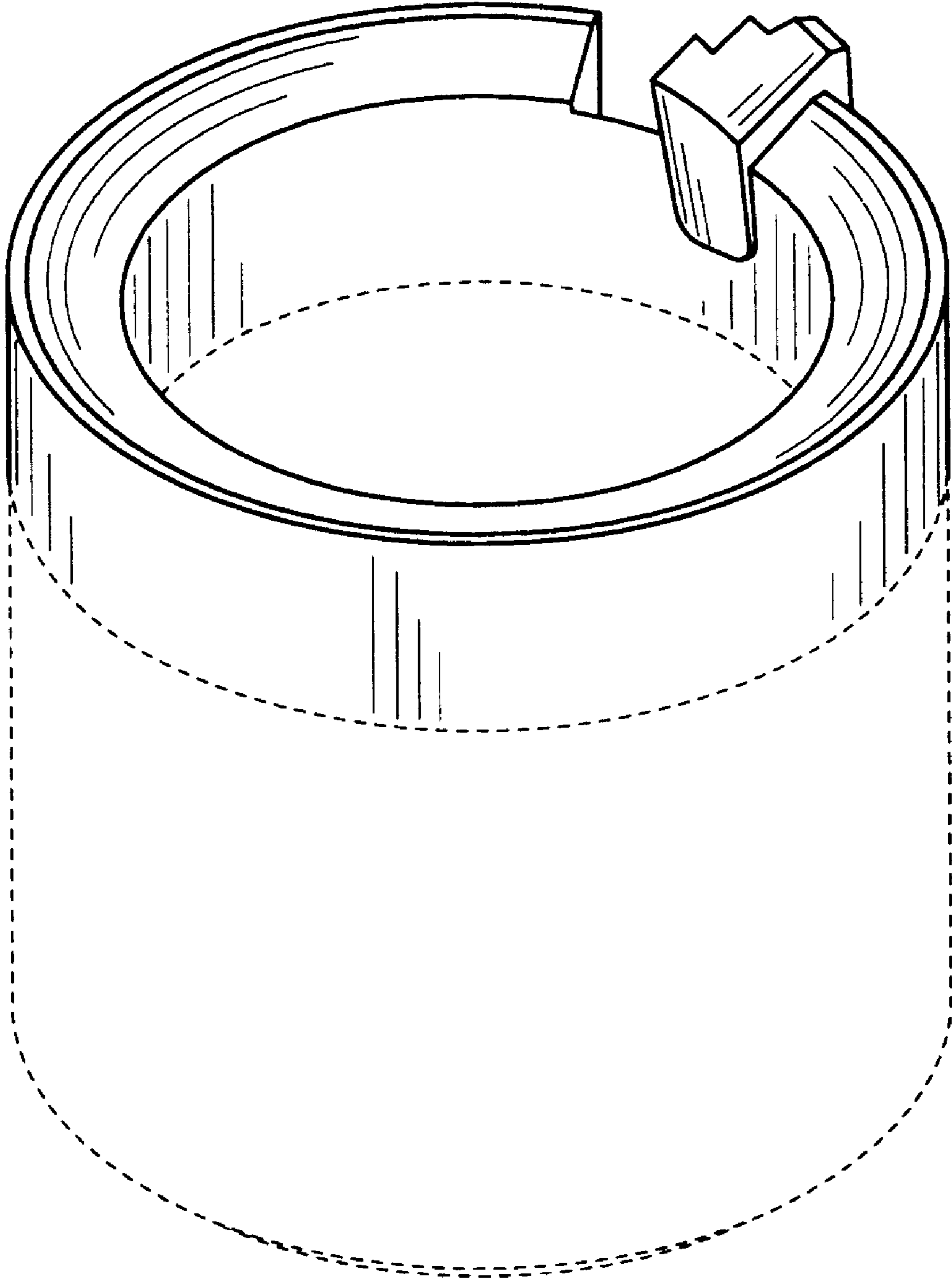


FIG. 9

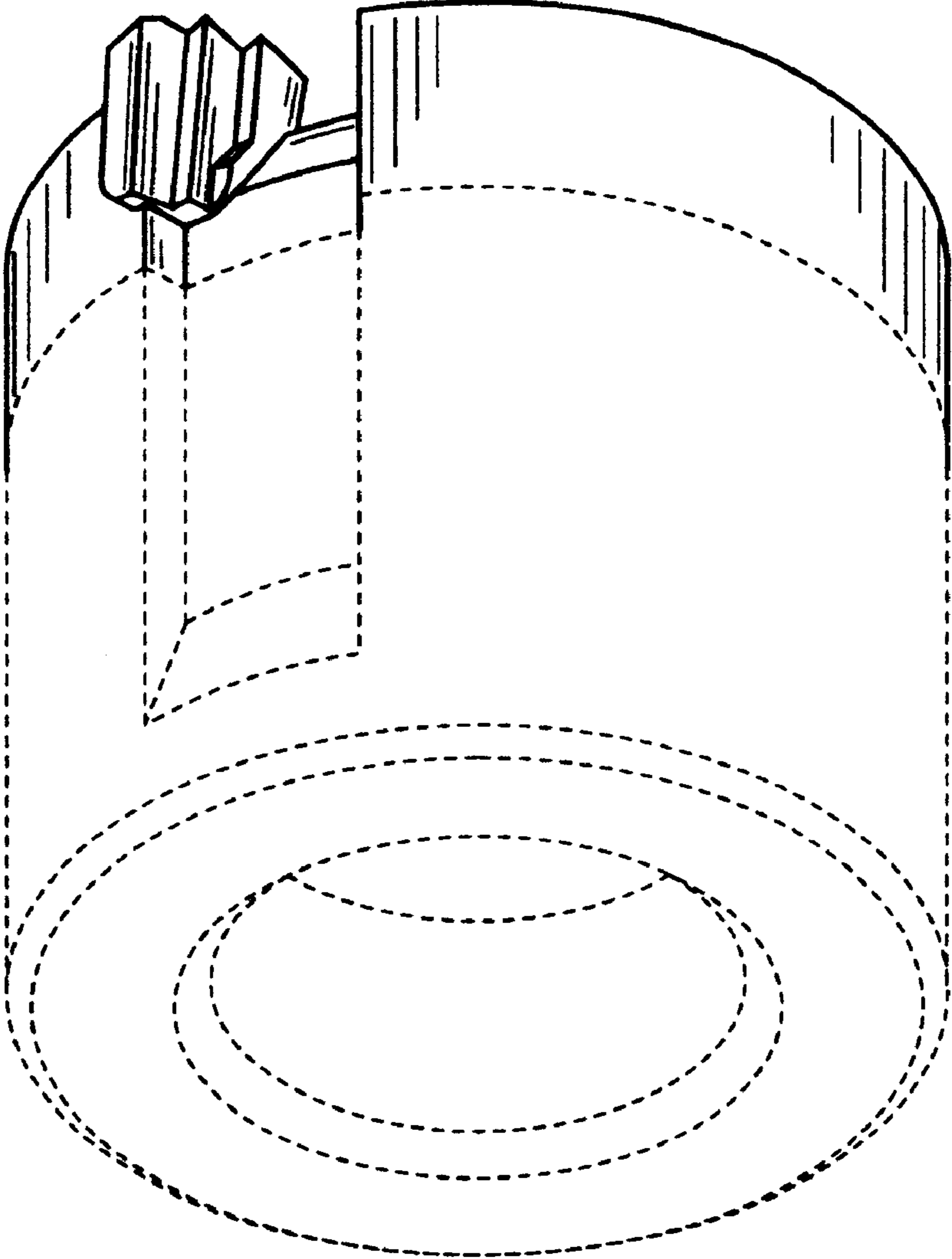


FIG. 10