



US00D541830S

(12) **United States Design Patent**  
**Wright et al.**

(10) **Patent No.:** **US D541,830 S**

(45) **Date of Patent:** **\*\* May 1, 2007**

(54) **SAW**

5,720,095 A \* 2/1998 Lennartsson ..... 29/509  
6,272,960 B1 \* 8/2001 Dibbern et al. .... 30/517

(75) Inventors: **Stuart J. Wright**, Timonium, MD (US); **Daniel N. Lopano**, Towson, MD (US); **Gregg L. Sheddy**, Shrewsbury, PA (US); **Peter Chaikowsky**, Bel Air, MD (US); **James D. Schroeder**, Dallastown, PA (US); **Warren A. Ceroll**, Owings Mills, MD (US); **Darren B. Moss**, Cockeysville, MD (US)

\* cited by examiner

*Primary Examiner*—Antoine D. Davis  
(74) *Attorney, Agent, or Firm*—Scott B. Markow; Charles E. Yocum

(73) Assignee: **Black & Decker Inc.**, Newark, DE (US)

(\*\*) Term: **14 Years**

(21) Appl. No.: **29/257,444**

(22) Filed: **Apr. 4, 2006**

**Related U.S. Application Data**

(63) Continuation of application No. 29/213,353, filed on Sep. 16, 2004, now Pat. No. Des. 523,038, which is a continuation of application No. 29/192,203, filed on Oct. 21, 2003, now Pat. No. Des. 510,048, which is a continuation of application No. 29/170,049, filed on Oct. 30, 2002, now Pat. No. Des. 486,165.

(51) **LOC (8) Cl.** ..... **15-09**

(52) **U.S. Cl.** ..... **D15/133**

(58) **Field of Classification Search** ..... D15/133;  
30/377-378, 388-391, 517-525; 83/471.2,  
83/471.3, 581, 472, 477.1, 477.2

See application file for complete search history.

(56) **References Cited**

**U.S. PATENT DOCUMENTS**

D372,484 S \* 8/1996 Price et al. .... D15/133

(57) **CLAIM**

The ornamental design for a saw, as shown and described.

**DESCRIPTION**

FIG. 1 is a front perspective view of a saw according to the invention, where FIGS. 1A-1B show the saw with a table in retracted and extended positions, respectively.

FIG. 2 is a rear perspective view showing the saw with a table in the extended position.

FIG. 3 is a top plan view, where FIGS. 3A-3B show the saw with a table in retracted and extended positions, respectively.

FIG. 4 is a right side elevational view, where FIGS. 4A-4B show the saw with a table in retracted and extended positions, respectively.

FIG. 5 is a left side elevational view, where FIGS. 5A-5B show the saw with a table in retracted and extended positions, respectively.

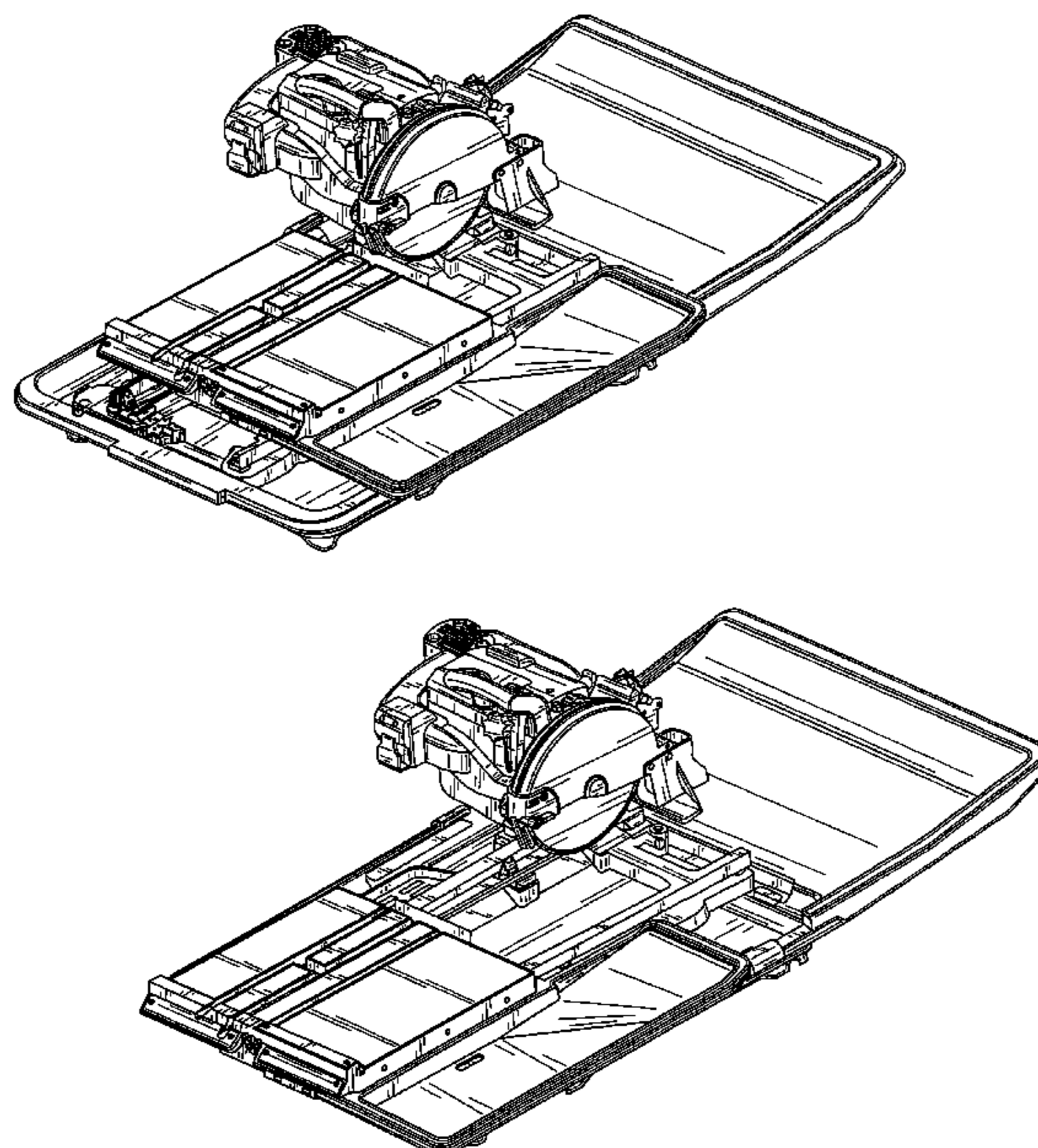
FIG. 6 is a front elevational view of the saw.

FIG. 7 is a rear elevational view of the saw; and,

FIG. 8 is a bottom plan view, where FIGS. 8A-8B show the saw with a table in retracted and extended positions, respectively.

In the above drawings, any views not shown thereof do not form a part of the invention. In addition, any wording or numerals shown therein does not form a part of the invention.

**1 Claim, 13 Drawing Sheets**



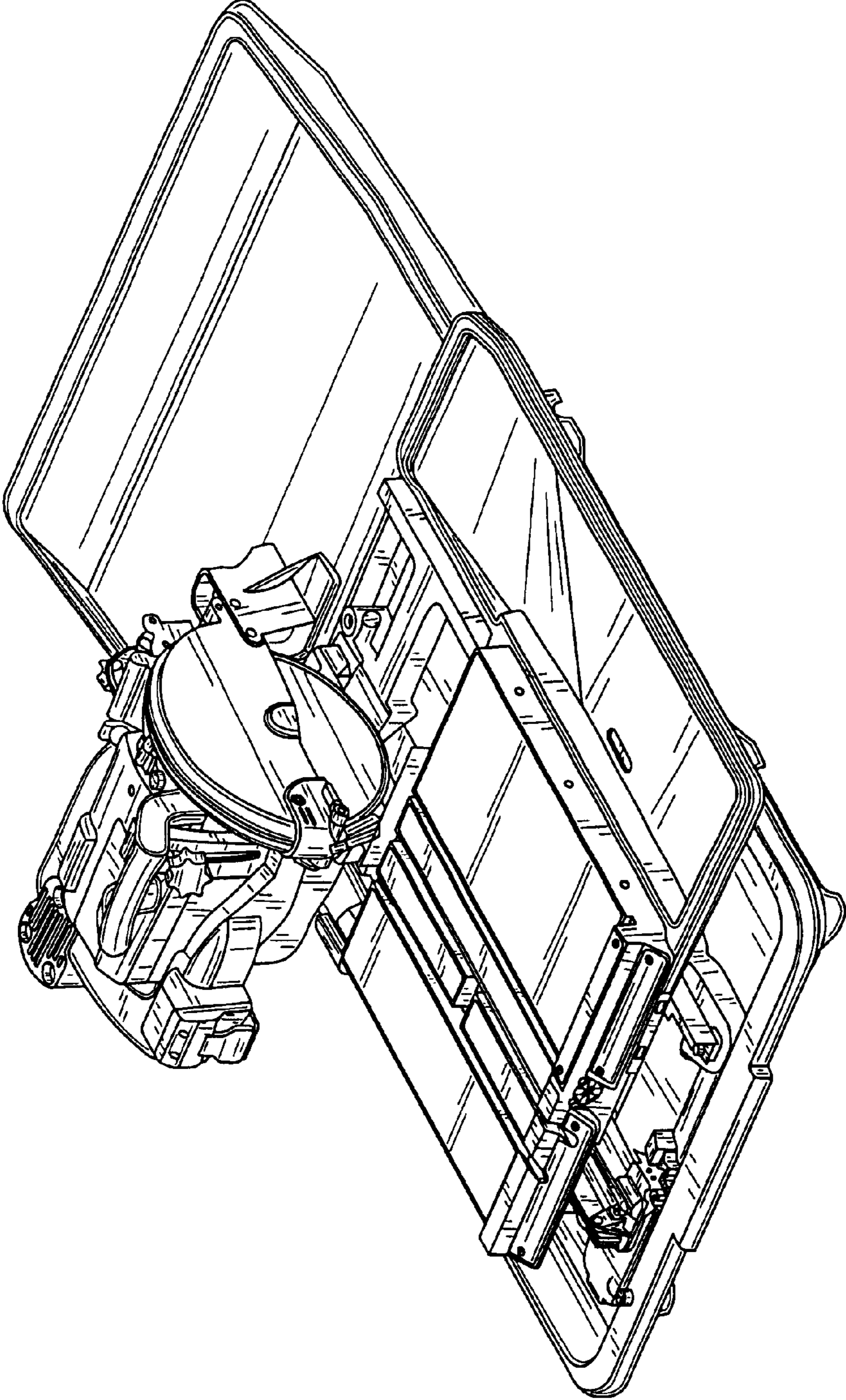


FIG. 1A

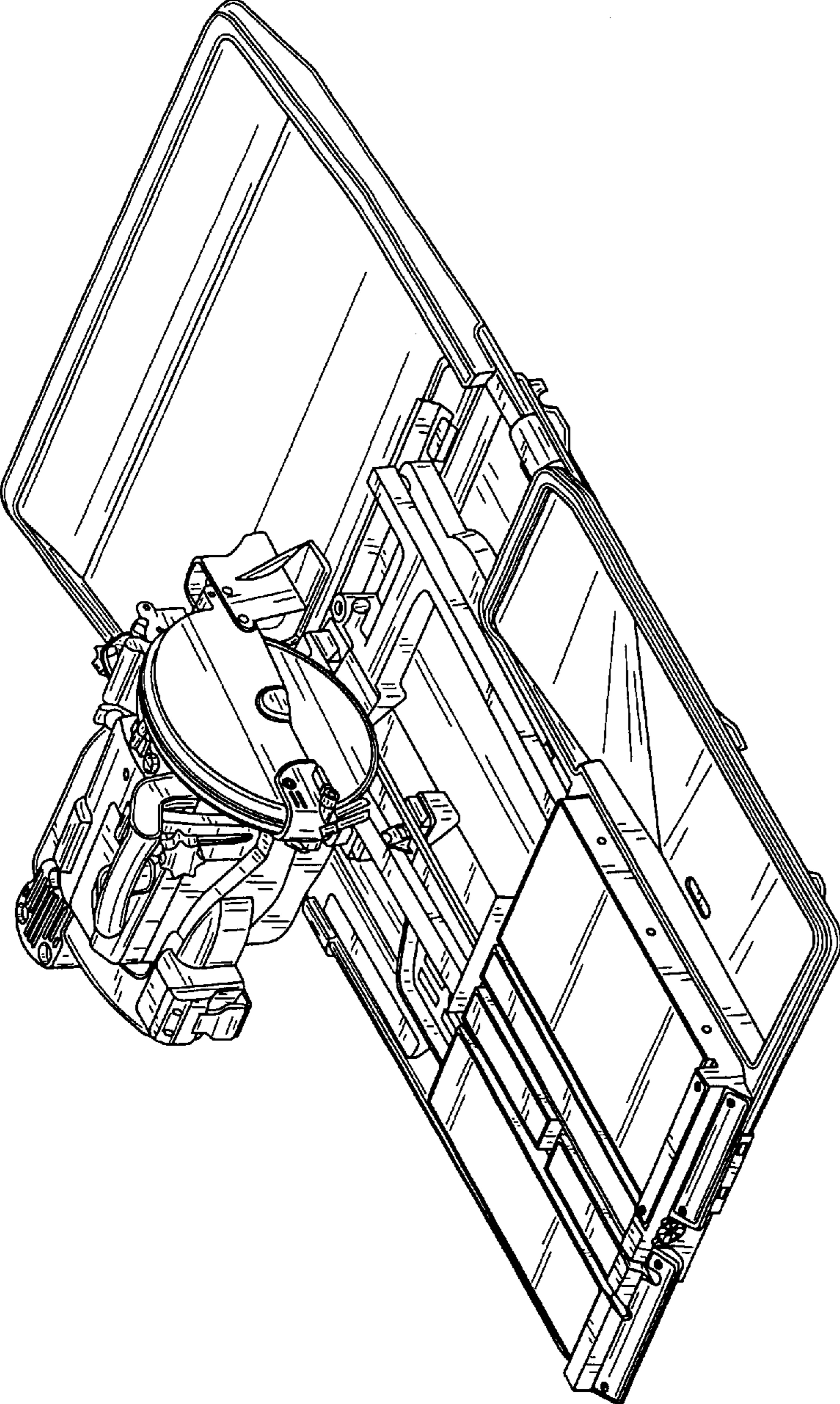


FIG. 1B

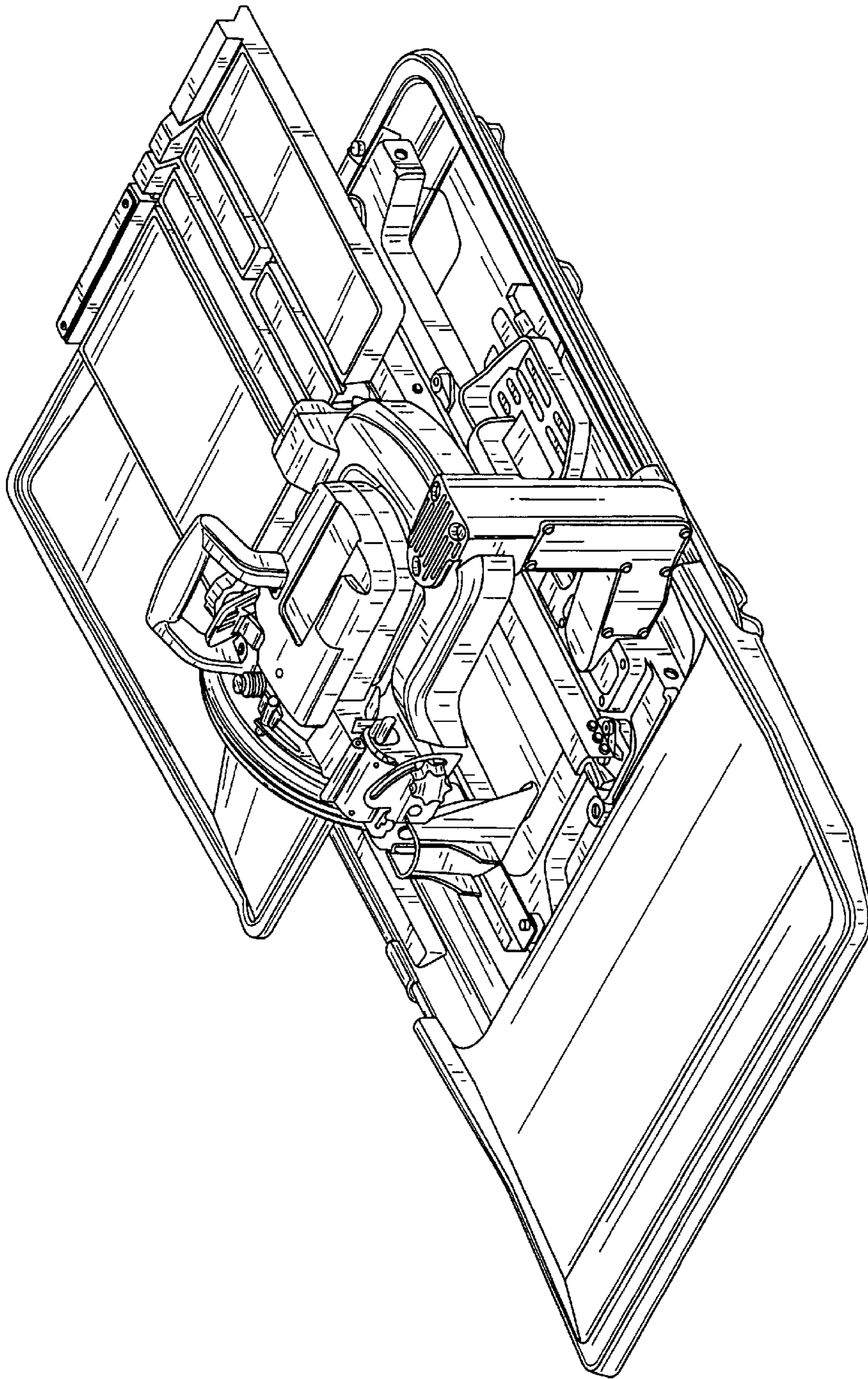


FIG. 2

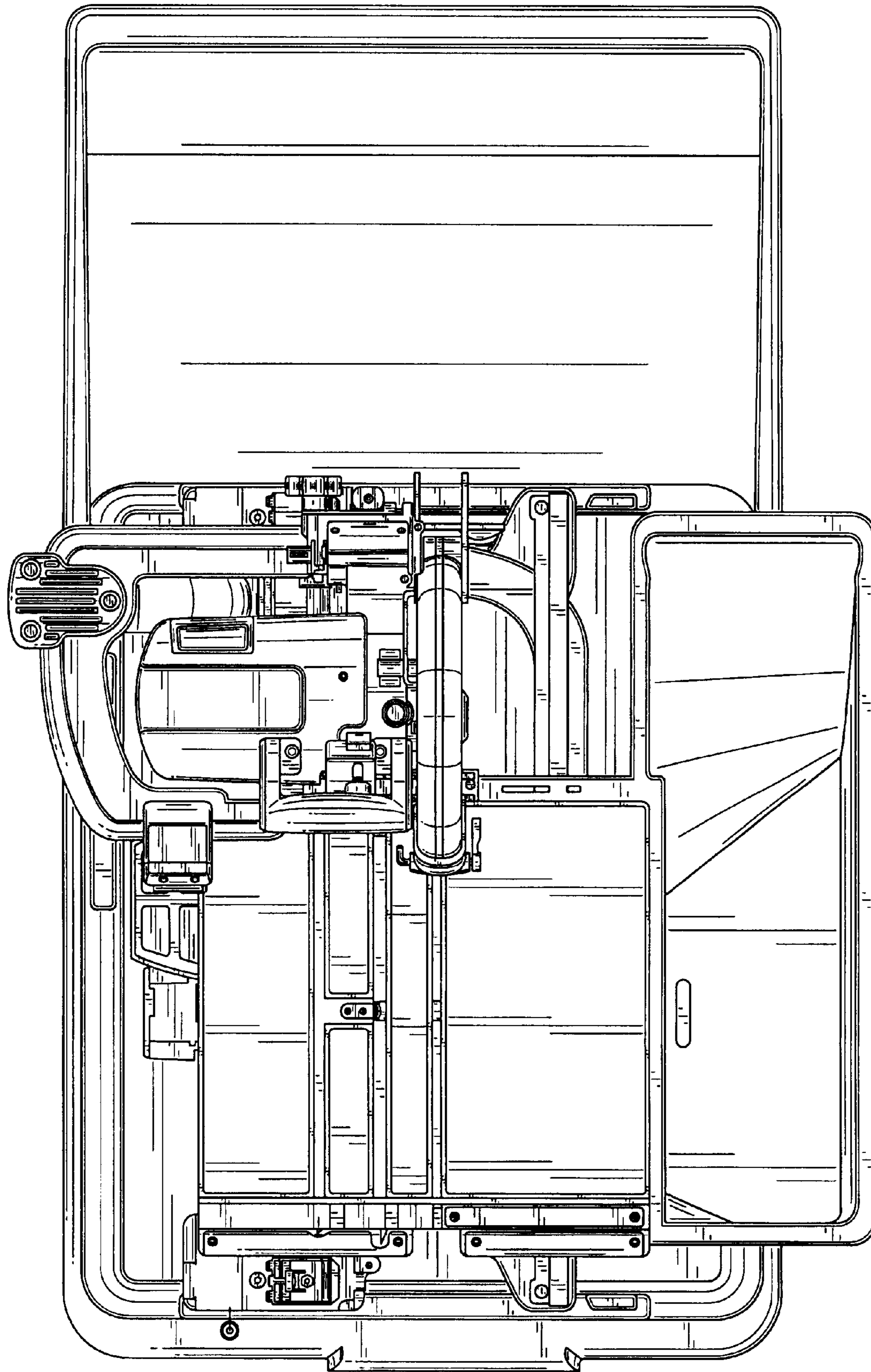


FIG. 3A

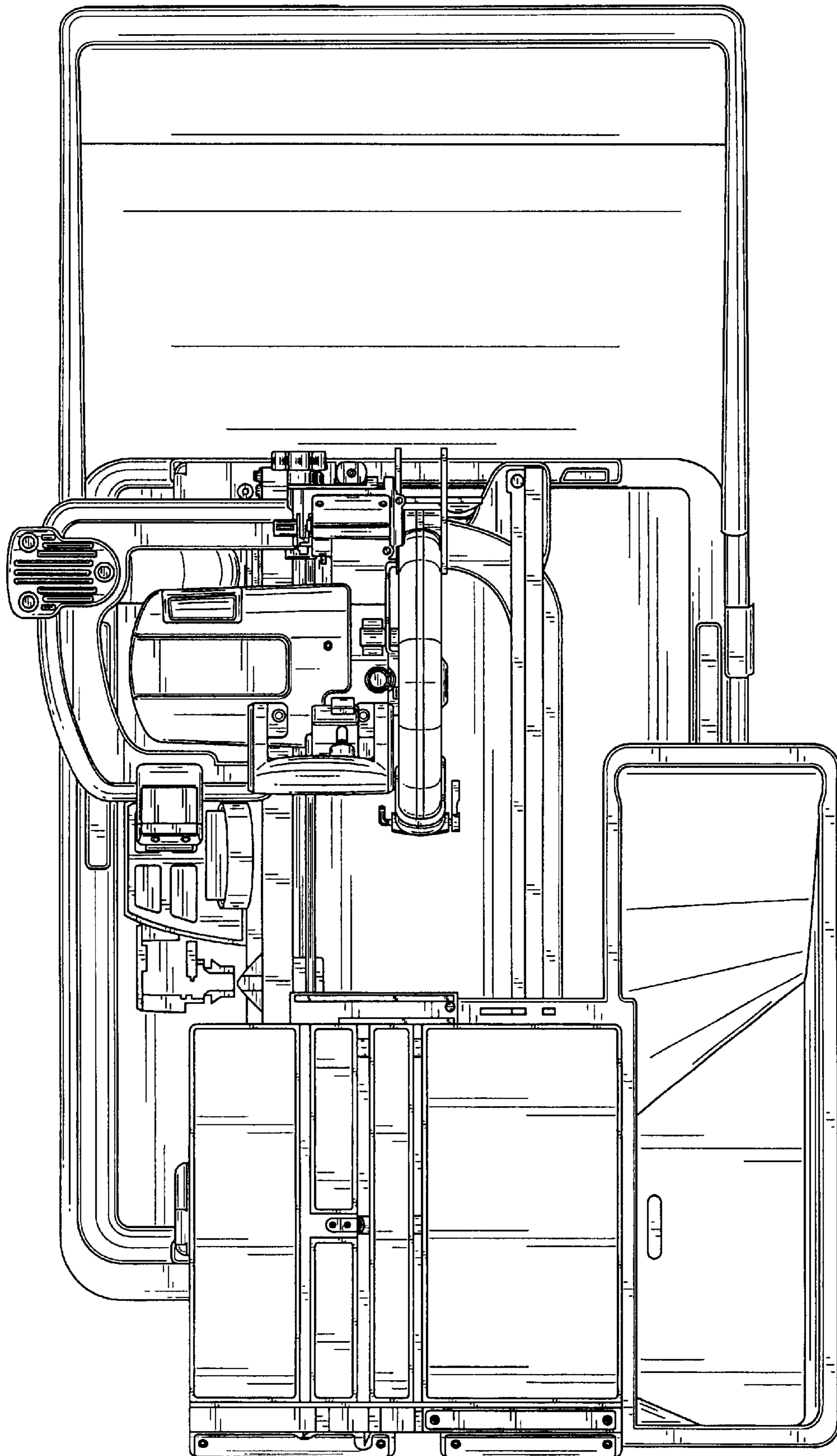


FIG. 3B

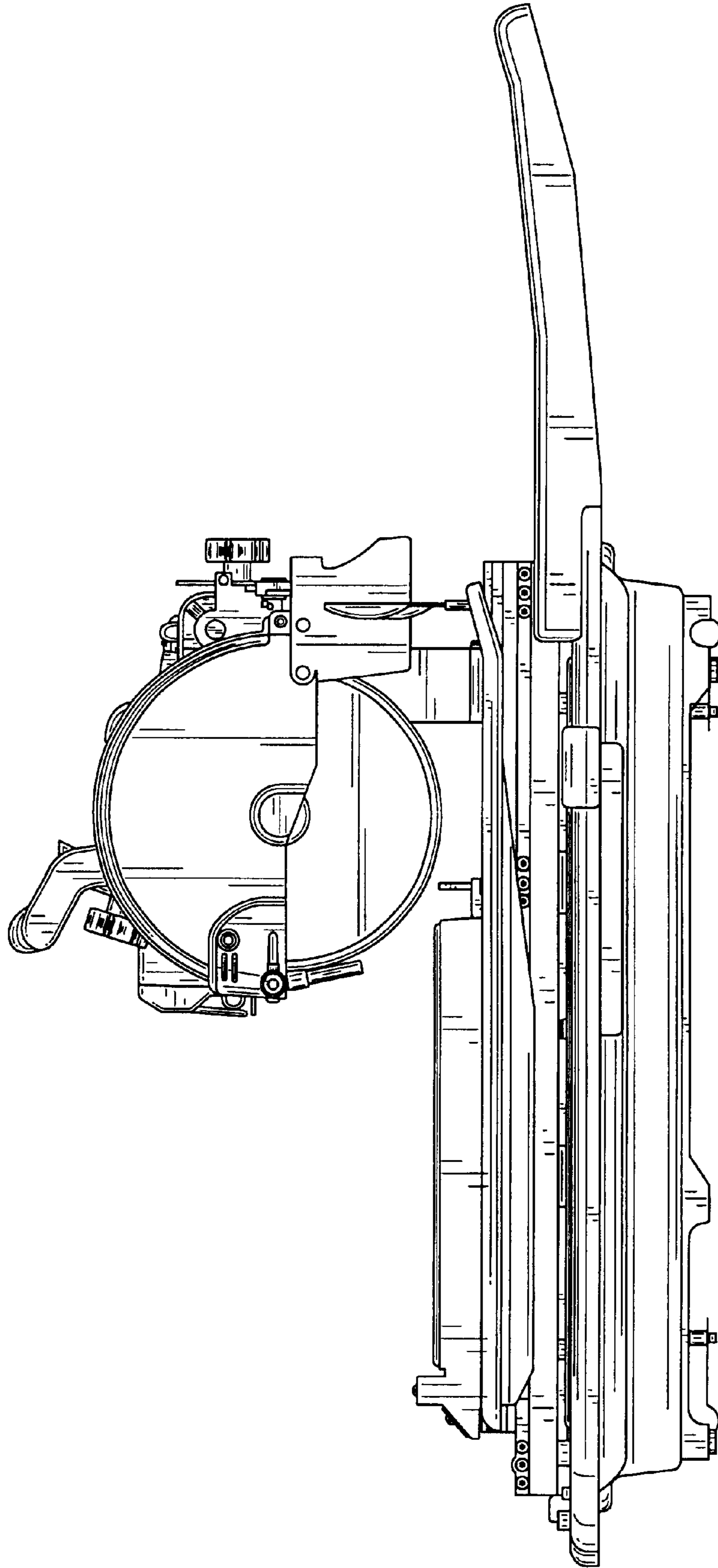


FIG. 4A

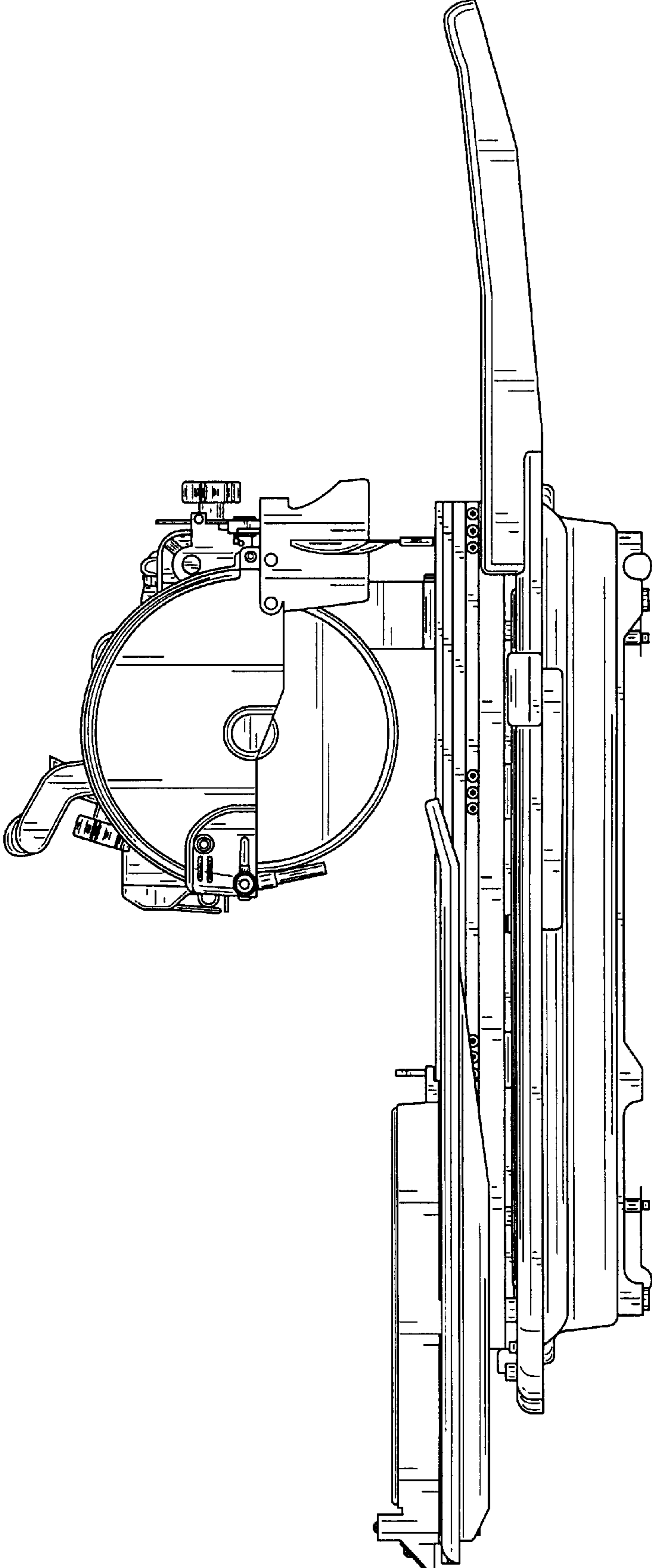


FIG. 4B



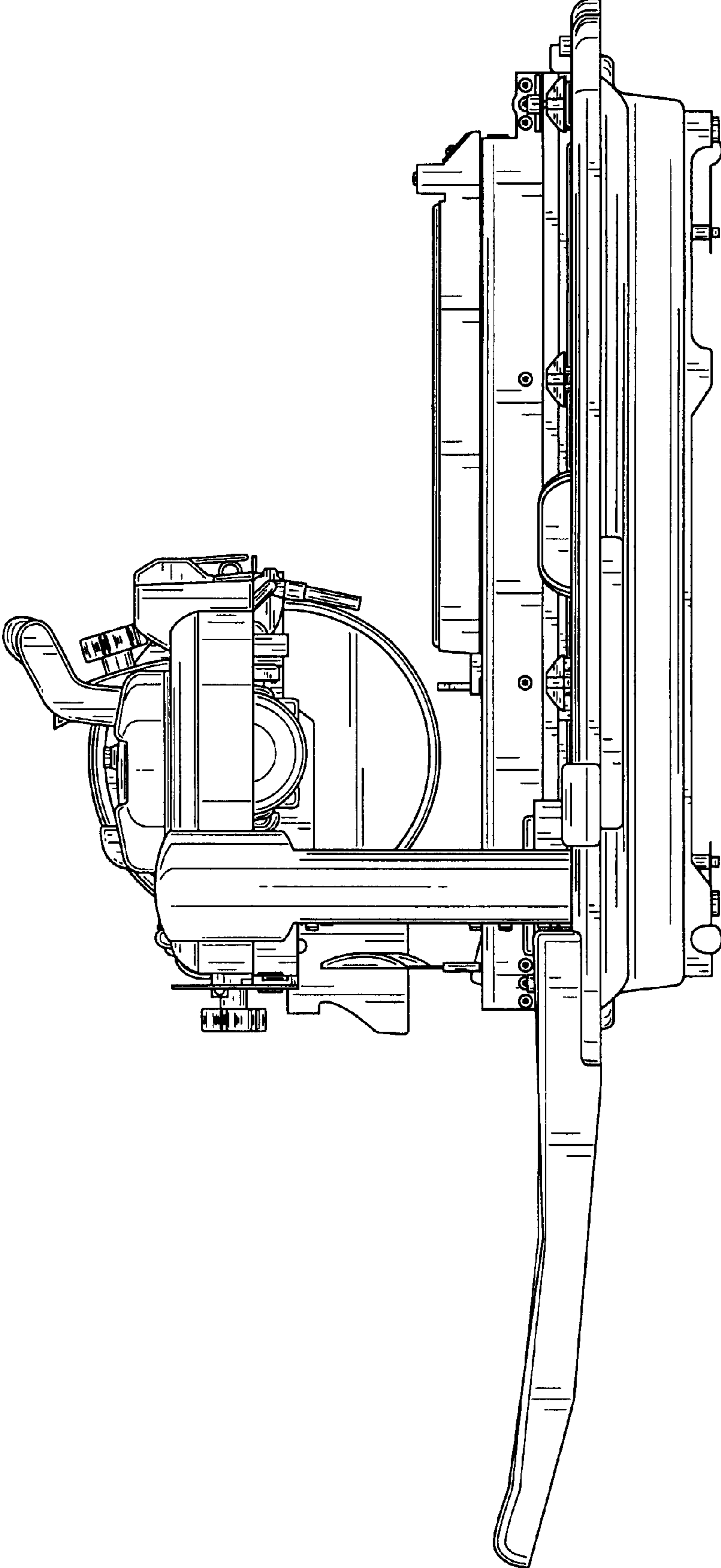


FIG. 5A

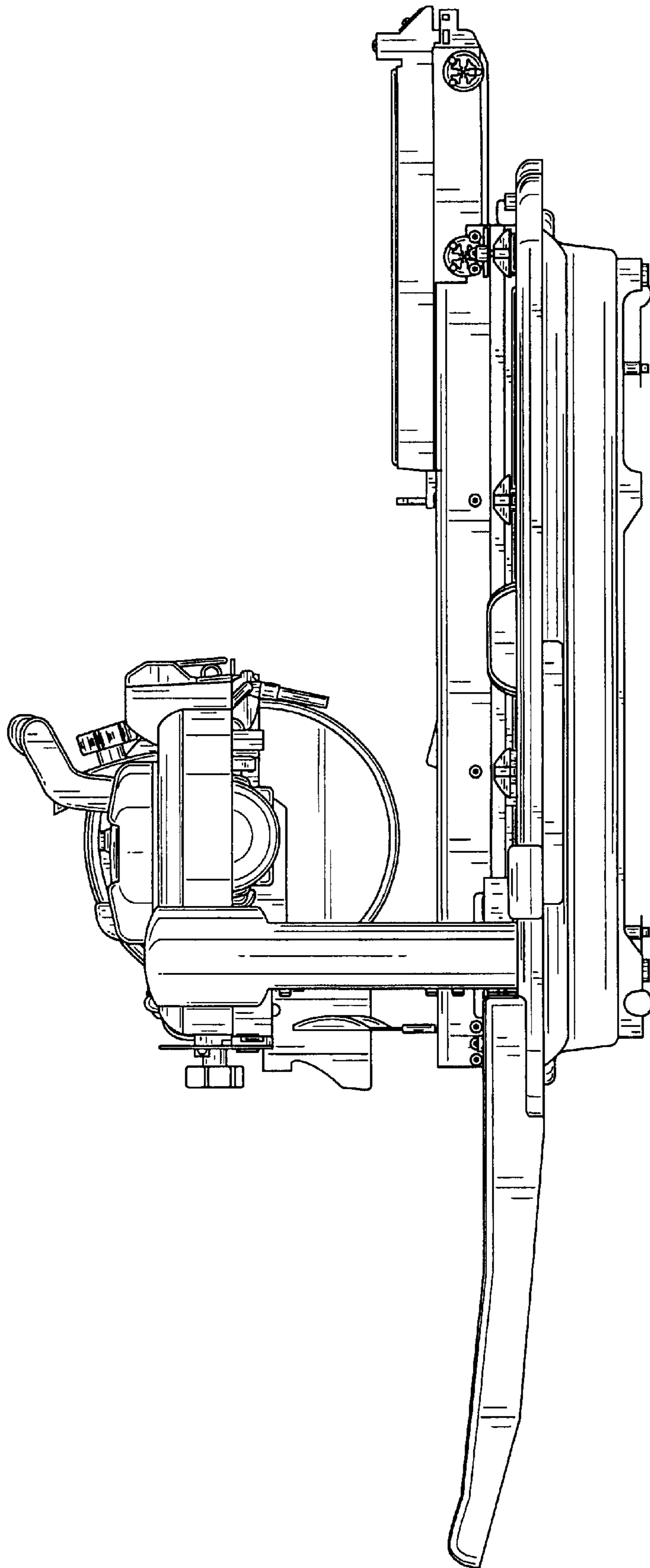


FIG. 5B

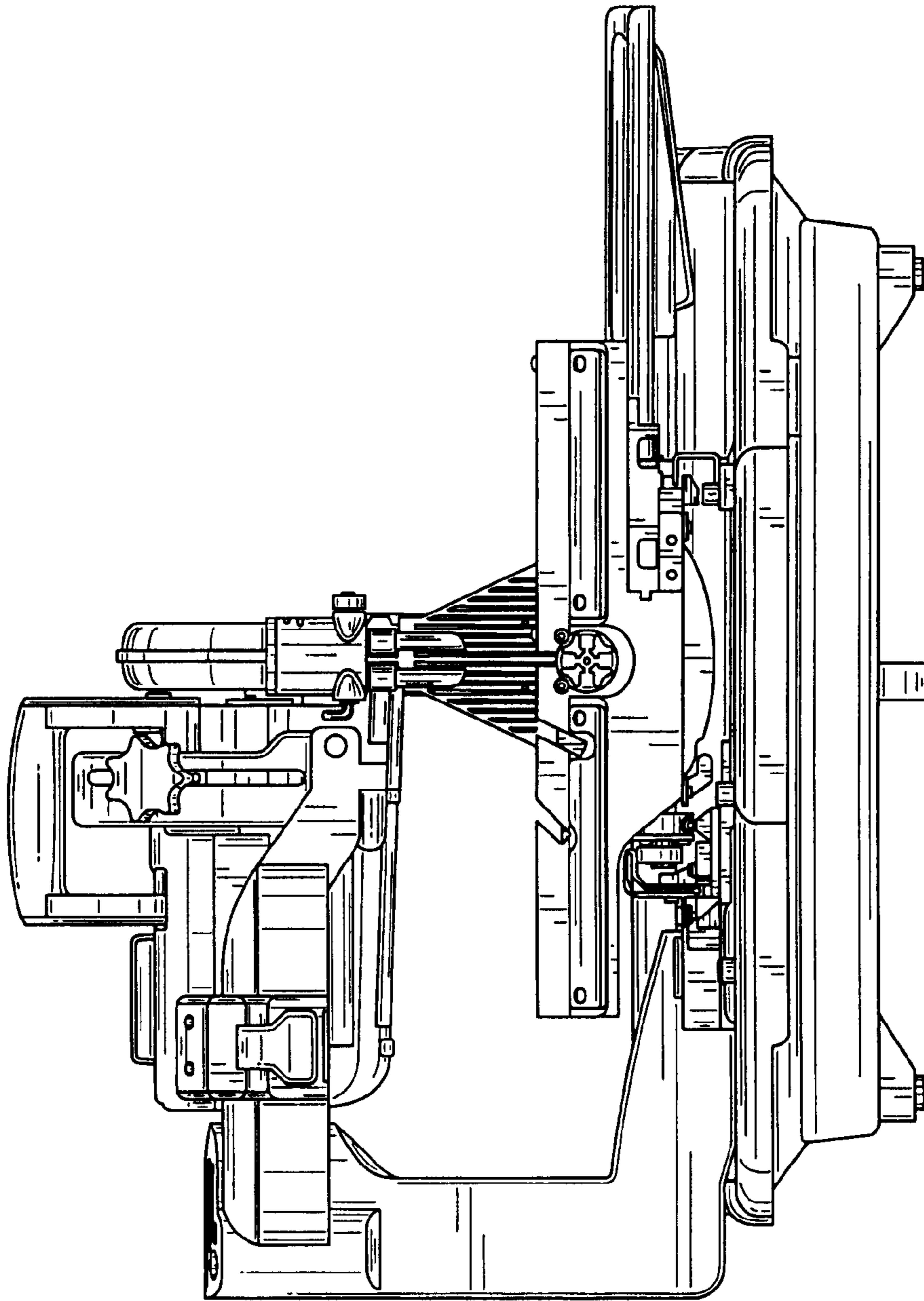


FIG. 6

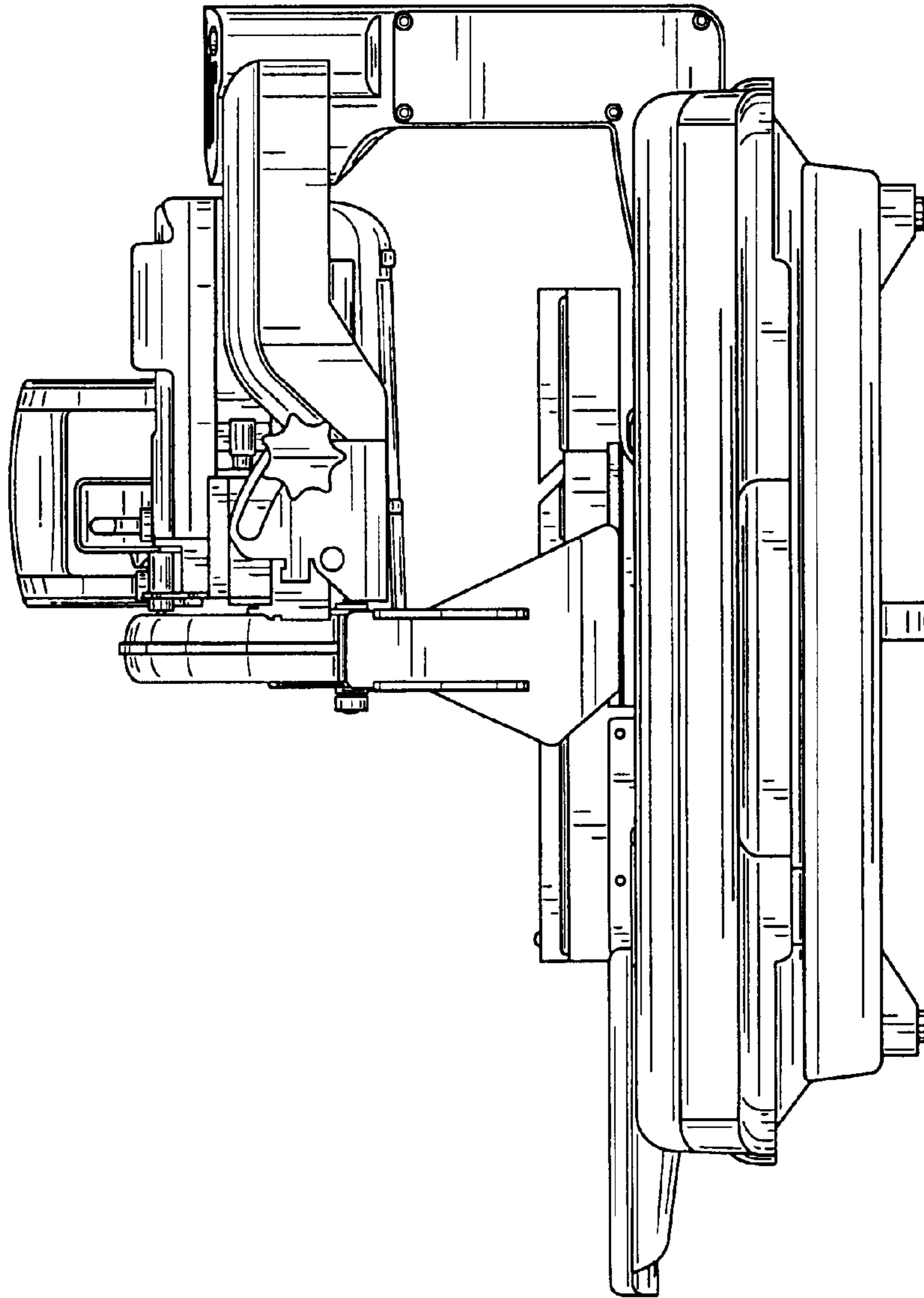


FIG. 7

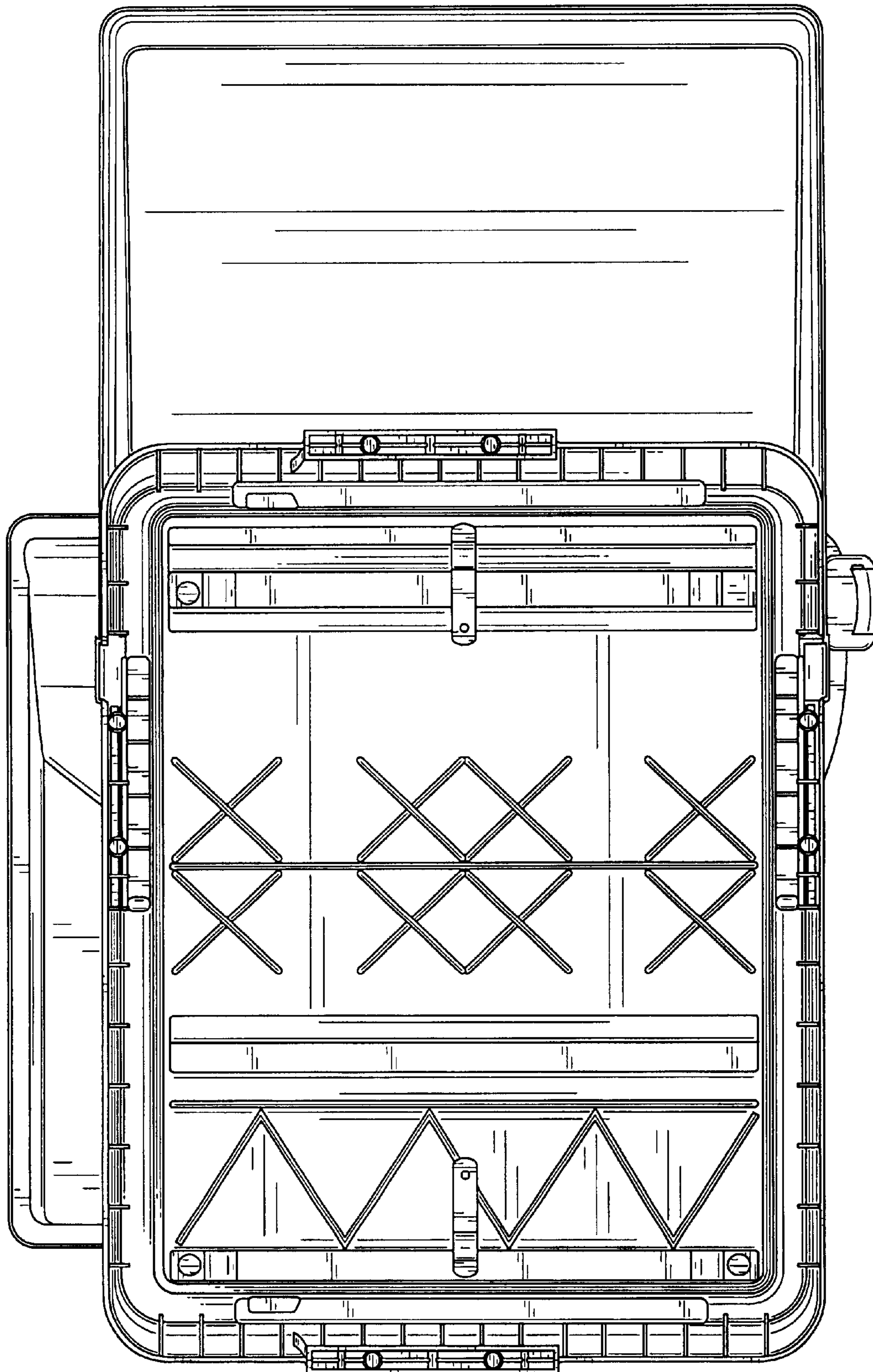


FIG. 8A

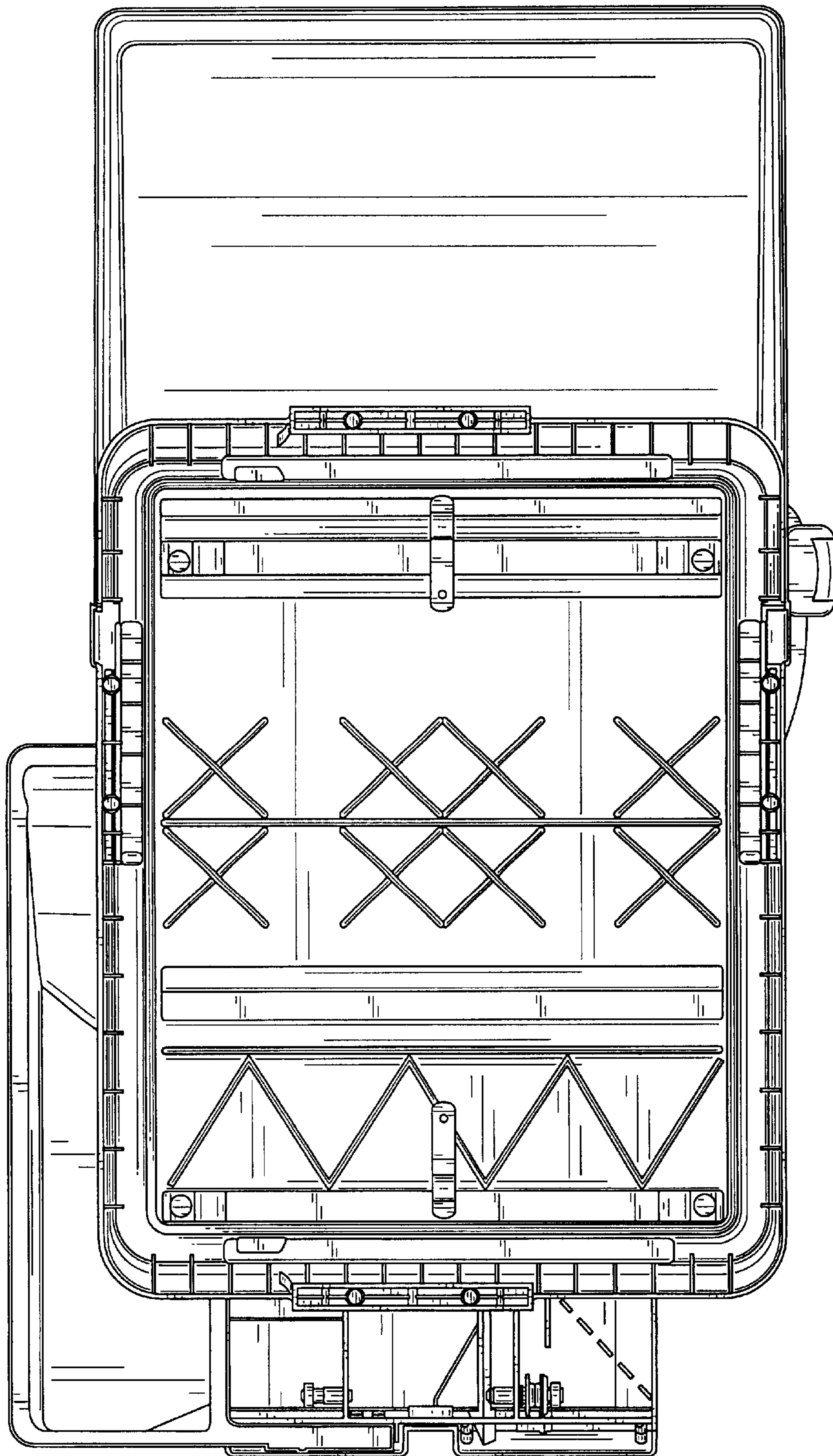


FIG. 8B