



US00D541829S

(12) **United States Design Patent** (10) **Patent No.:** **US D541,829 S**
Hepworth et al. (45) **Date of Patent:** **** May 1, 2007**

(54) **PORTION OF A WET WHEEL TILE CUTTER**

(75) Inventors: **Paul Steabben Hepworth**, Guildford (GB); **Simon James Skillings**, Staffordshire (GB)

(73) Assignee: **Turner Intellectual Property Limited**, Staffordshire (GB)

(**) Term: **14 Years**

(21) Appl. No.: **29/255,448**

(22) Filed: **Mar. 8, 2006**

Related U.S. Application Data

(62) Division of application No. 29/216,573, filed on Nov. 5, 2004.

Foreign Application Priority Data

May 7, 2004 (EM) 180756-0001/2/3/4

(51) **LOC (8) Cl.** **15-09**

(52) **U.S. Cl.** **D15/133**

(58) **Field of Classification Search** D15/133;
83/169, 432, 435, 450, 468.7, 477, 477.2,
83/478, 522.1, 522.3; 269/180, 318, 435;
890/13.01, 125

See application file for complete search history.

(56) **References Cited**

U.S. PATENT DOCUMENTS

| | | | | | |
|-----------------|---|---------|--------------|-------|-----------|
| D400,896 S | * | 11/1998 | Hepworth | | D15/133 |
| D492,706 S | * | 7/2004 | Hepworth | | D15/133 |
| 6,880,543 B2 | * | 4/2005 | Bradfield | | 125/13.01 |
| D508,928 S | * | 8/2005 | Chen | | D15/133 |
| D510,096 S | * | 9/2005 | Wu | | D15/133 |
| 2003/0051720 A1 | * | 3/2003 | Bradfield | | 125/13.01 |
| 2005/0098012 A1 | * | 5/2005 | Cheng et al. | | 83/522.15 |

* cited by examiner

Primary Examiner—Antoine D. Davis

Assistant Examiner—Patricia Palasik

(74) *Attorney, Agent, or Firm*—Nikolai & Mersereau, P.A.

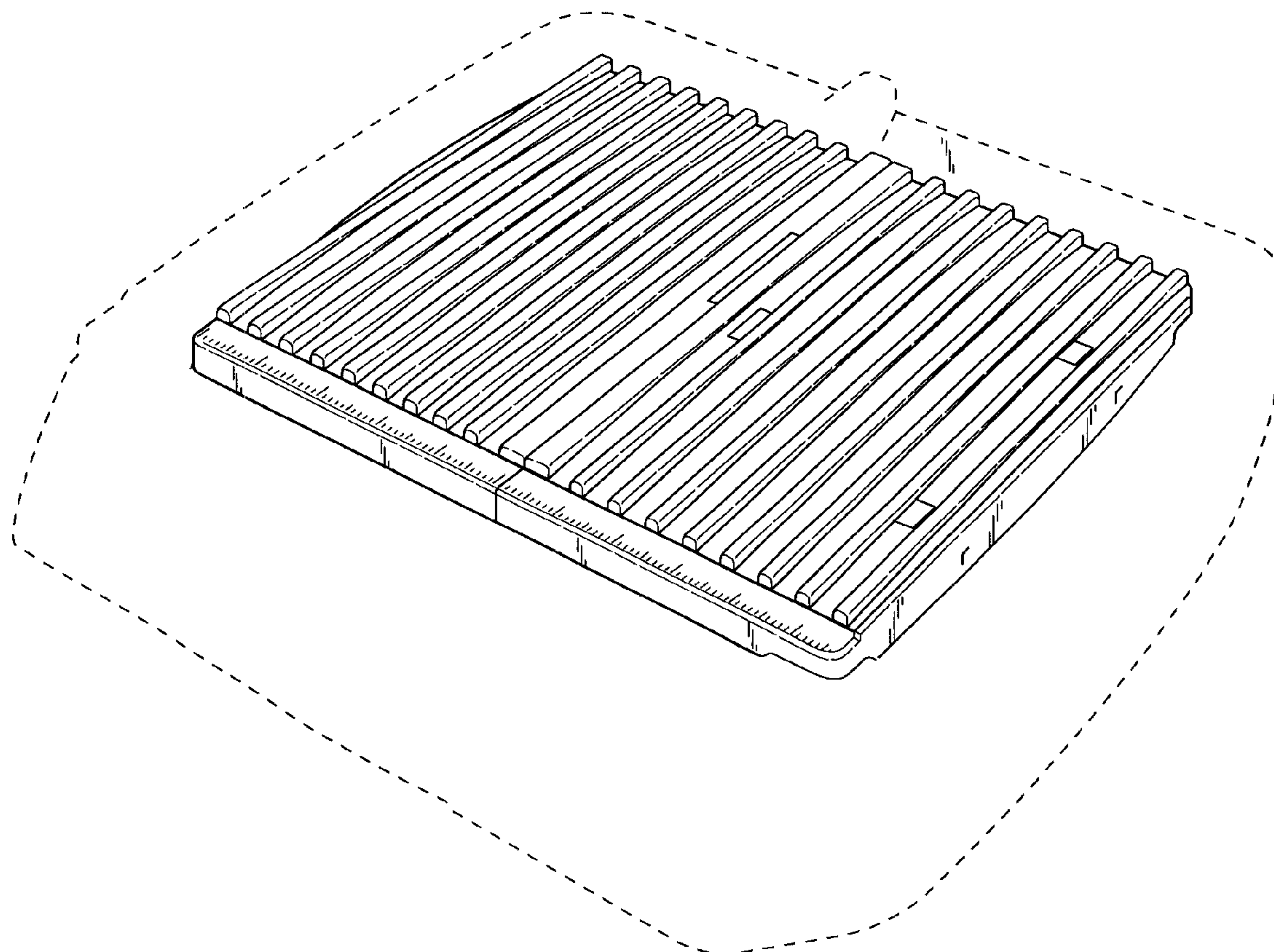
(57) **CLAIM**

The ornamental design for a portion of a wet wheel tile cutter, as shown and described.

DESCRIPTION

FIG. 1 is a front right perspective view of top of a wet wheel tile cutter showing the new design; and, FIG. 2 is a perspective view from the front and above. The broken line showing is for illustrative purposes only and forms no part of the claimed design.

1 Claim, 1 Drawing Sheet



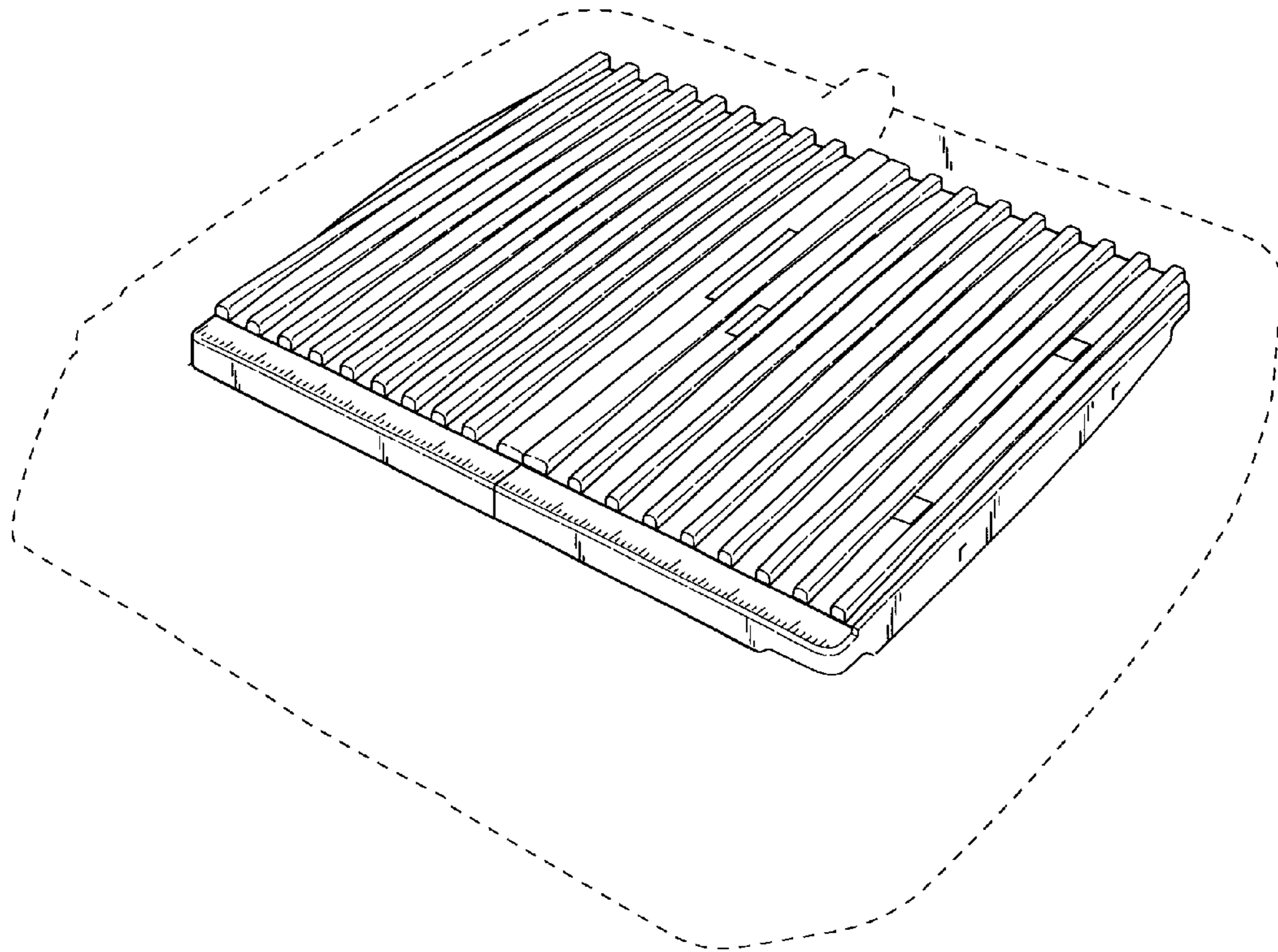


Fig. 1

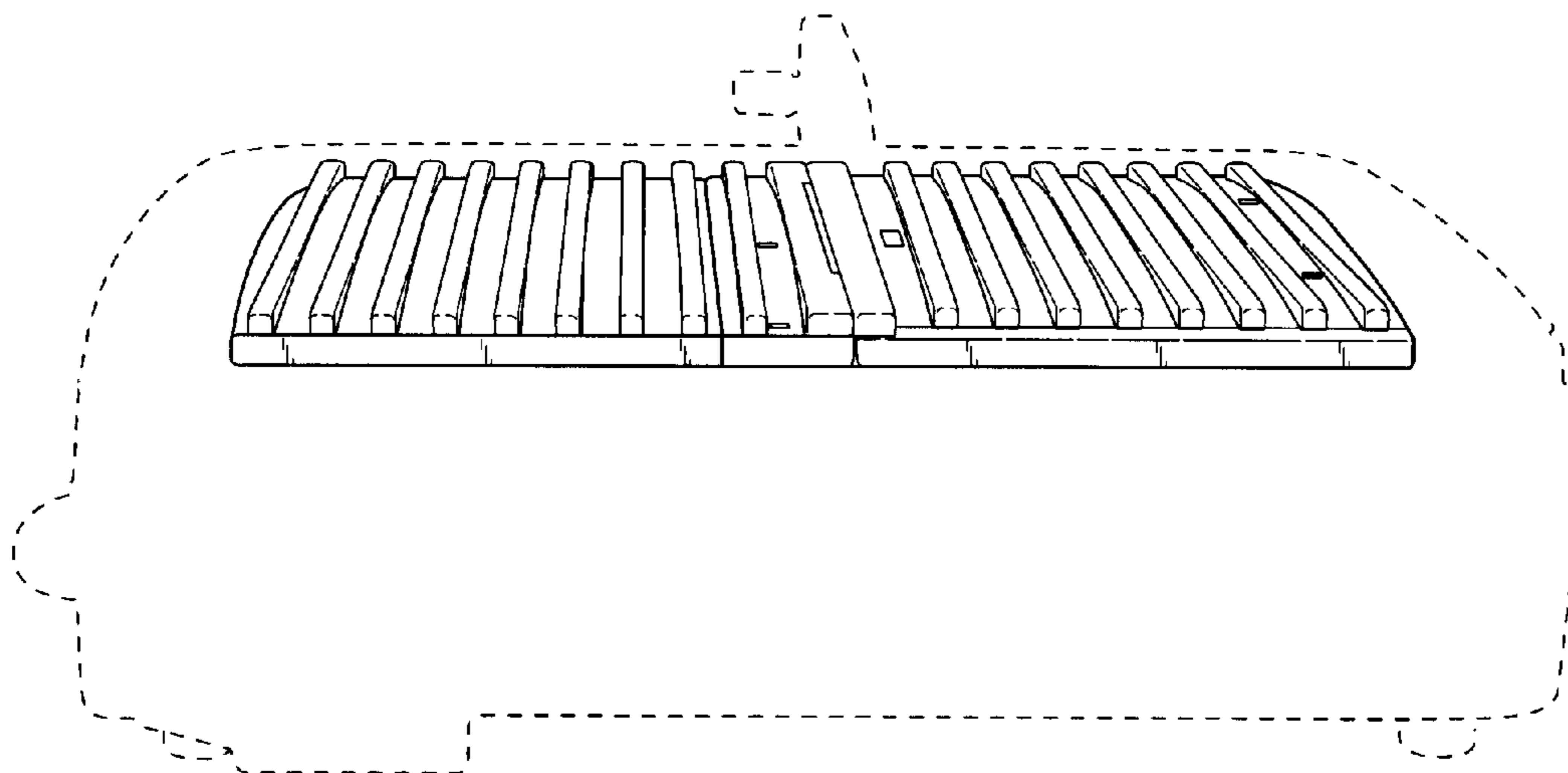


Fig. 2