



US00D541825S

(12) **United States Design Patent** (10) **Patent No.:** **US D541,825 S**  
**Pettersson** (45) **Date of Patent:** **\*\* May 1, 2007**

(54) **CAB FOR DRIVER**

(75) Inventor: **Lasse Pettersson**, Floda (SE)

(73) Assignee: **VCE Holding Sweden AB**, Eskilstuna (SE)

(\*\*) Term: **14 Years**

(21) Appl. No.: **29/246,778**

(22) Filed: **May 9, 2006**

(30) **Foreign Application Priority Data**

Nov. 11, 2005 (EM) ..... 000430640-0001

(51) **LOC (8) Cl.** ..... **15-03**

(52) **U.S. Cl.** ..... **D15/30**

(58) **Field of Classification Search** ..... D15/10,  
D15/28, 22-26, 30, 33; D12/96; D34/37;  
180/89.1, 89.12, 89.13, 89.16, 89.19; 296/190.01,  
296/102

See application file for complete search history.

(56) **References Cited**

**U.S. PATENT DOCUMENTS**

D275,199 S \* 8/1984 Schmidt et al. .... D15/30  
D288,206 S \* 2/1987 Moscovitch ..... D15/30  
D312,827 S \* 12/1990 Boddin et al. .... D15/30  
D317,011 S \* 5/1991 Boddin et al. .... D15/30  
D366,267 S \* 1/1996 Lepoix ..... D15/30  
D384,358 S \* 9/1997 Smith ..... D15/30

D389,984 S \* 1/1998 Johansson ..... D34/37  
D391,273 S \* 2/1998 Linder ..... D15/30  
D398,616 S \* 9/1998 Kwak et al. .... D15/30  
5,911,624 A \* 6/1999 Stauffer ..... 454/158  
D424,580 S \* 5/2000 Moehle et al. .... D15/23  
D427,612 S \* 7/2000 Shim ..... D15/23  
D463,461 S \* 9/2002 Yanagida et al. .... D15/30  
D463,462 S \* 9/2002 Yanagida et al. .... D15/30  
D463,807 S \* 10/2002 Tamaru et al. .... D15/30  
D471,213 S \* 3/2003 Kwak et al. .... D15/30  
D497,920 S \* 11/2004 Antonetti ..... D15/30

\* cited by examiner

*Primary Examiner*—Stella Reid

*Assistant Examiner*—Mark Goodwin

(74) *Attorney, Agent, or Firm*—Novak Druce + Quigg, LLP

(57) **CLAIM**

I claim the ornamental design for a cab for driver, as shown and described.

**DESCRIPTION**

FIG. 1 is a front side elevational view of a cab for driver showing my new design;

FIG. 2 is a top left perspective view of the design;

FIG. 3 is a top right perspective view of the design;

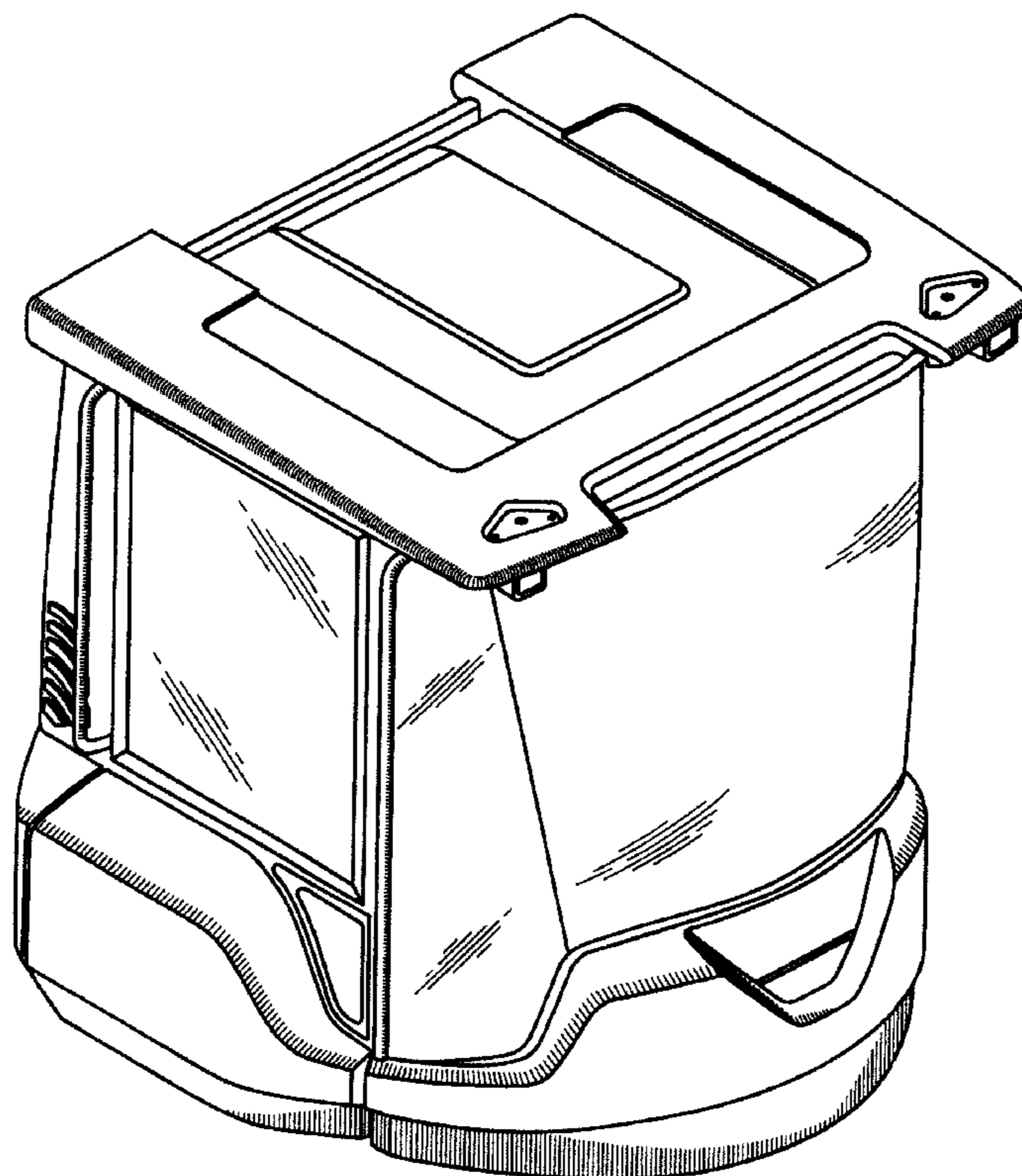
FIG. 4 is a right side elevational view of the design;

FIG. 5 is a left side elevational view of the design;

FIG. 6 is a back side elevational view of the design; and,

FIG. 7 is top plan view of the design.

**1 Claim, 7 Drawing Sheets**



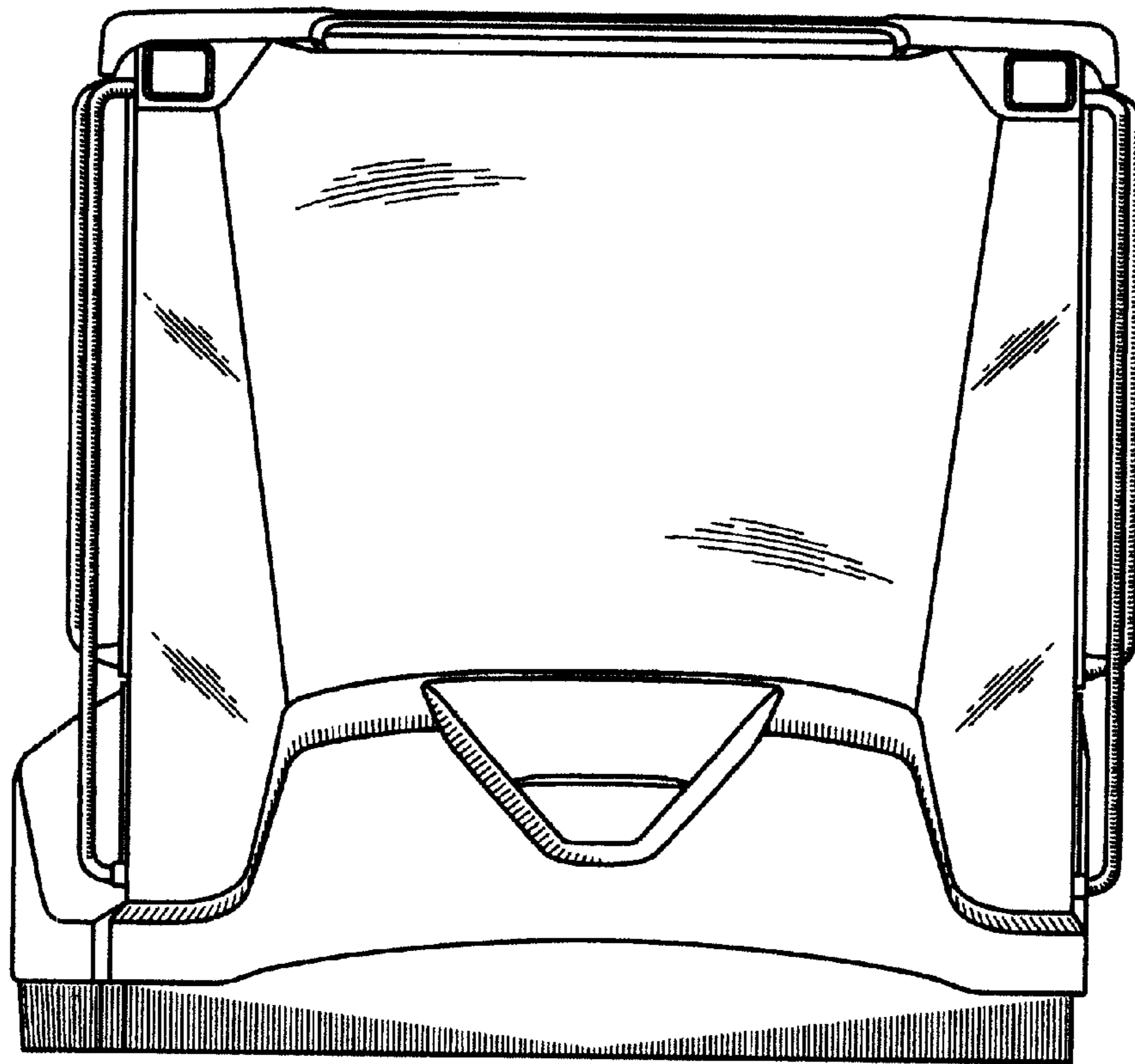


FIG. 1

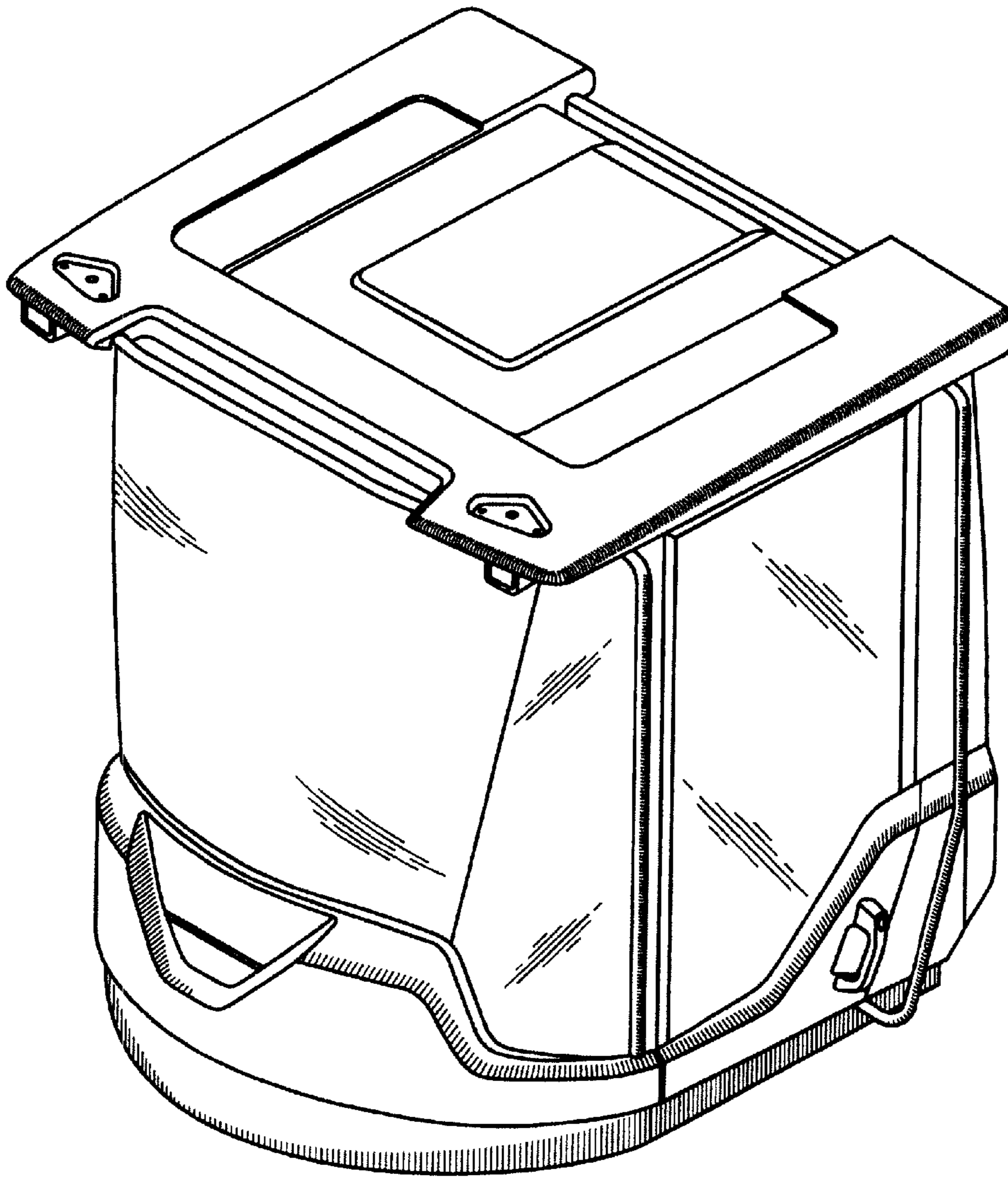


FIG. 2

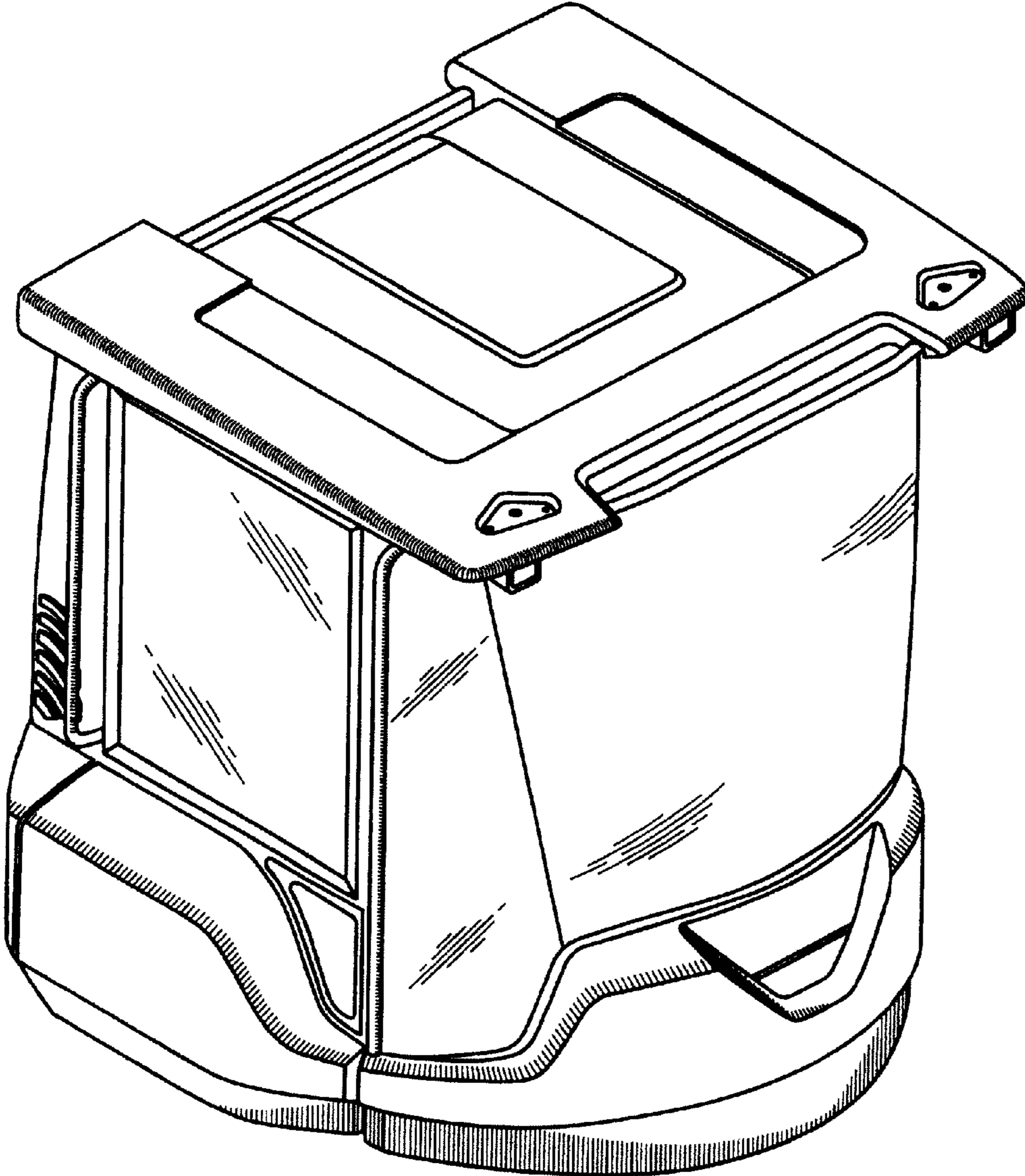


FIG. 3

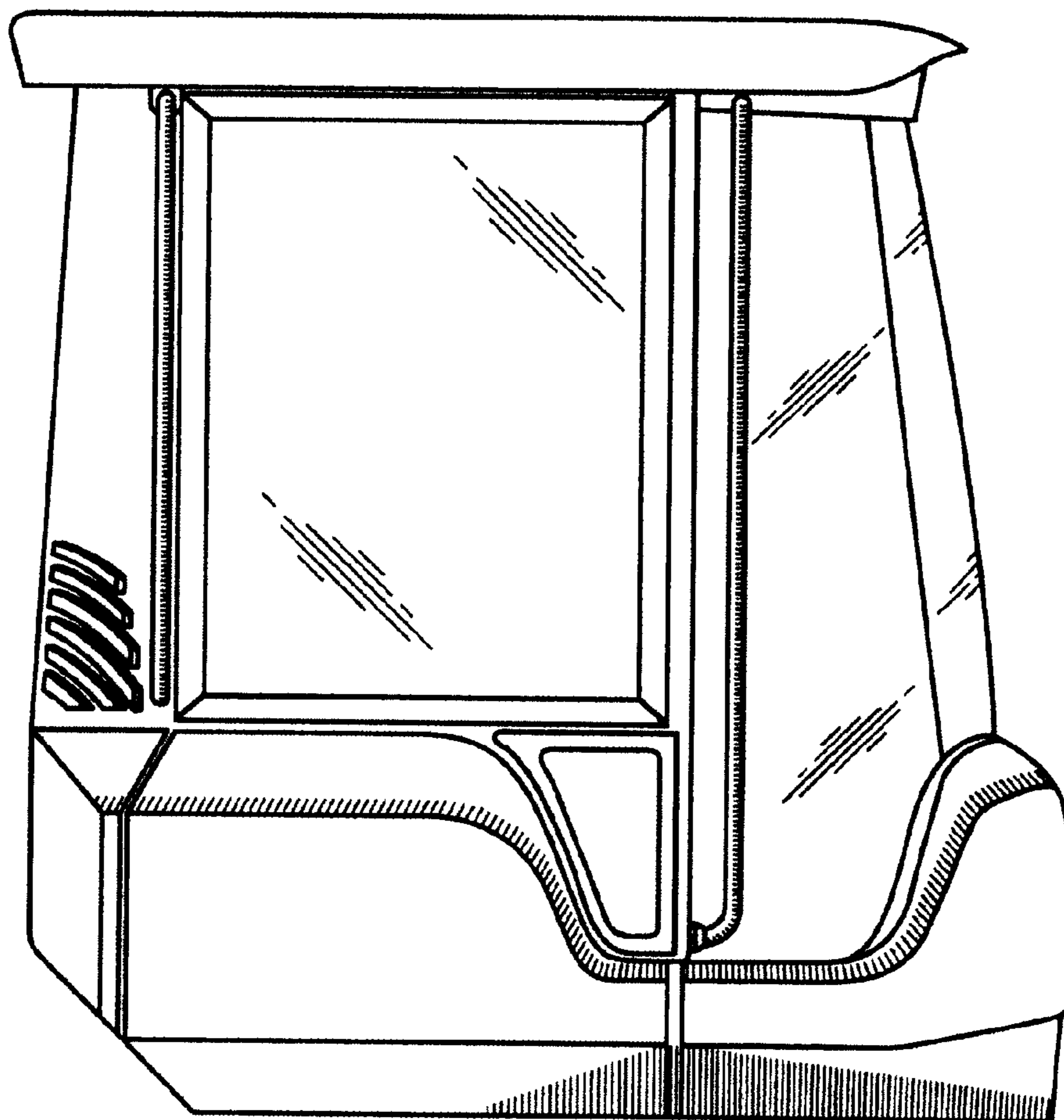


FIG. 4

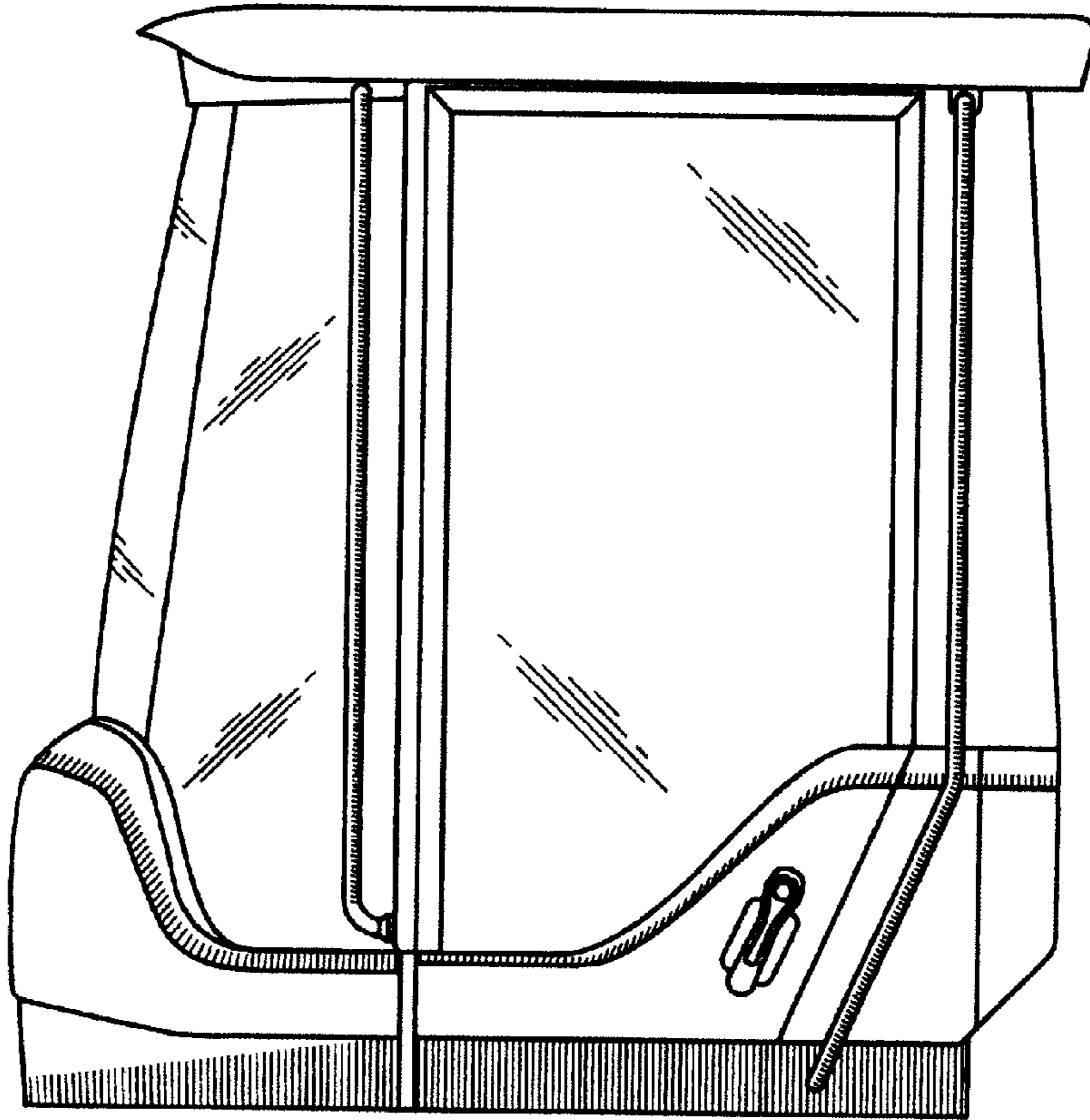


FIG. 5

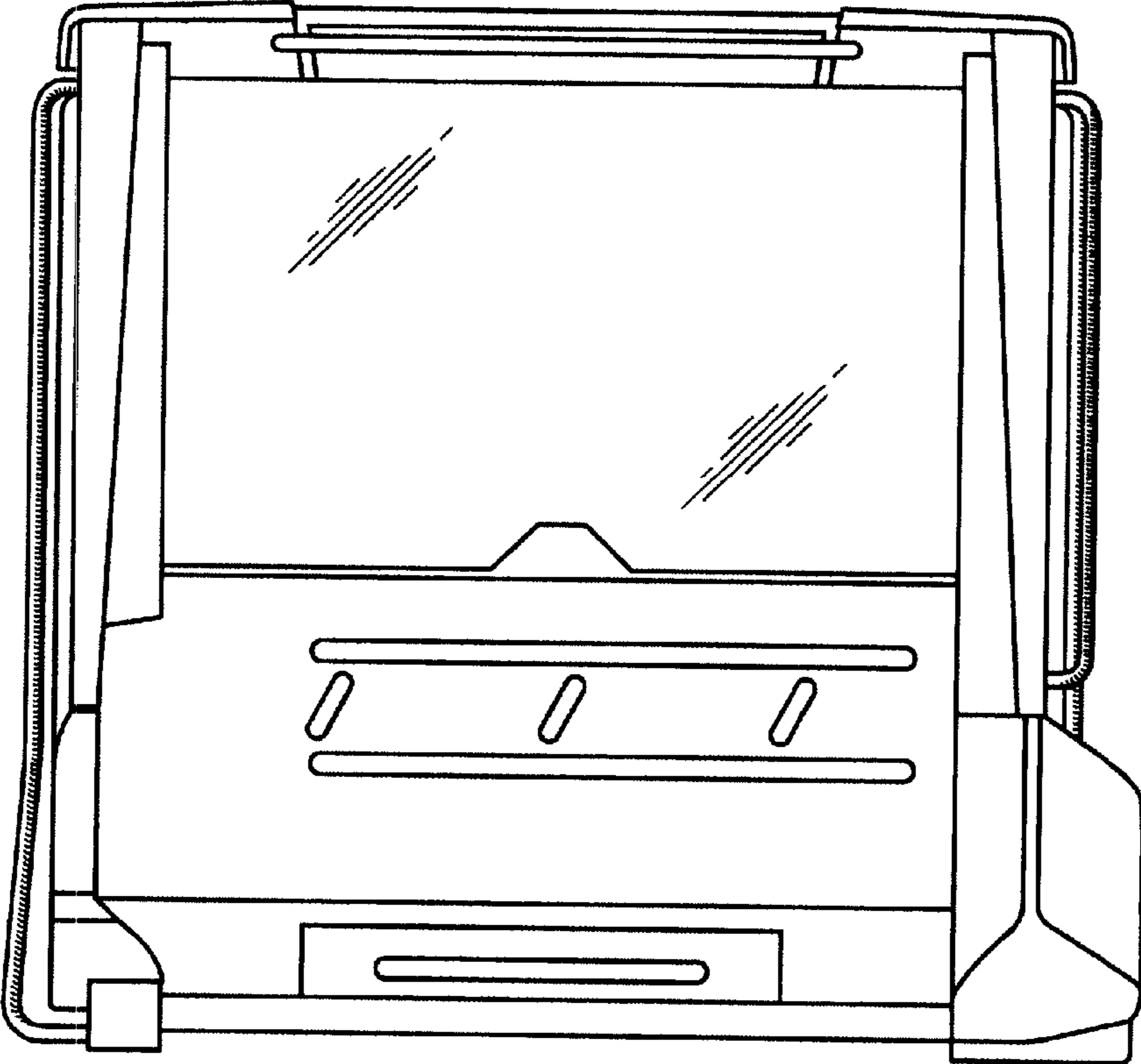


FIG. 6

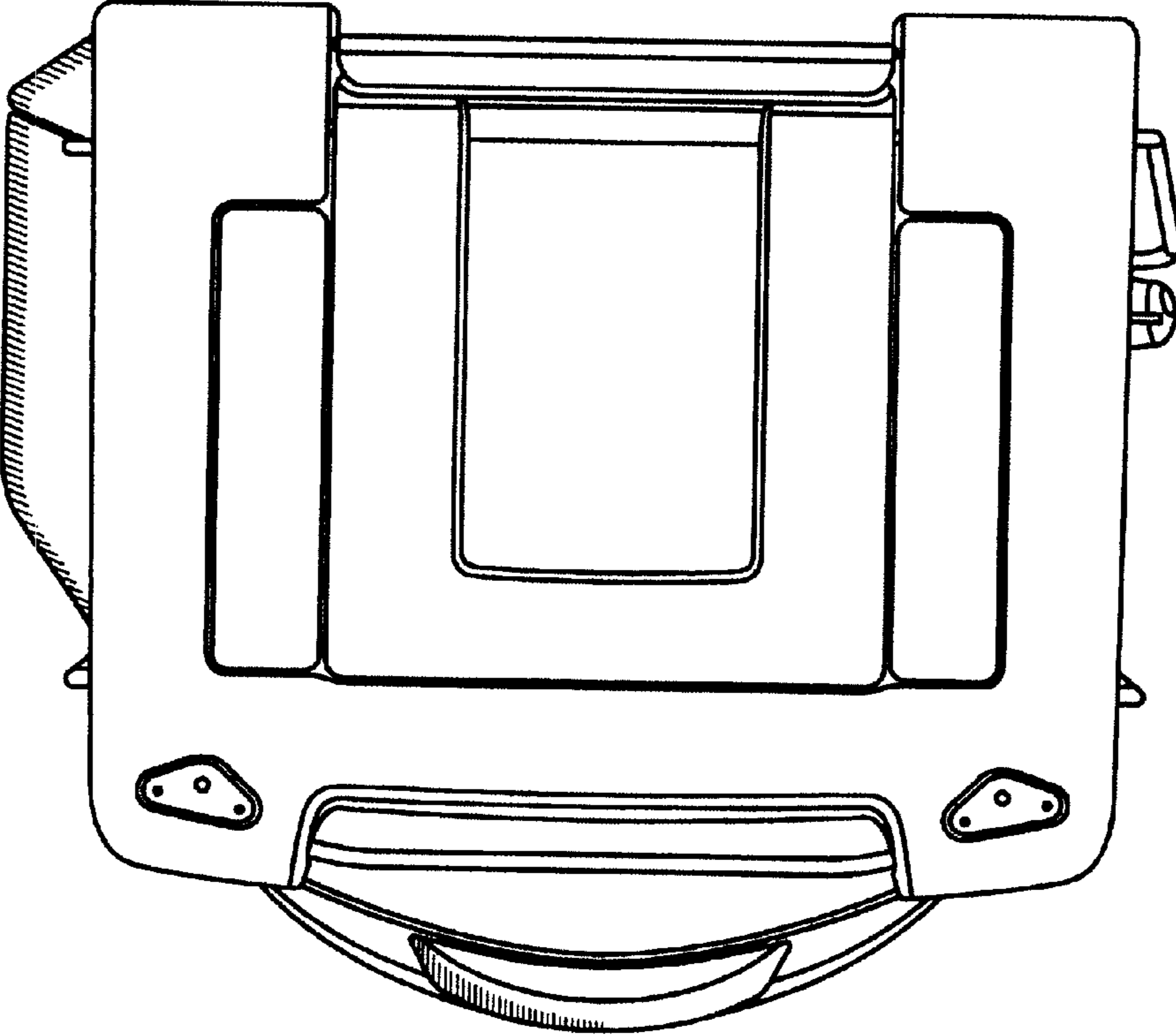


FIG. 7