



US00D541824S

(12) **United States Design Patent**
Yanagida et al.

(10) **Patent No.:** **US D541,824 S**

(45) **Date of Patent:** **** May 1, 2007**

(54) **CONTROL LEVER FOR CONSTRUCTION EQUIPMENT**

(75) Inventors: **Yasuhiro Yanagida**, Minato-ku (JP);
Daisuke Tsumura, Hirakata (JP);
Makoto Sasaki, Hirakata (JP); **Daisuke Tsukamoto**, Hirakata (JP)

(73) Assignee: **Komatsu Ltd.**, Tokyo (JP)

(**) Term: **14 Years**

(21) Appl. No.: **29/244,966**

(22) Filed: **Dec. 16, 2005**

(30) **Foreign Application Priority Data**

Jun. 30, 2005 (JP) 2005-019118

(51) **LOC (8) Cl.** **15-03**

(52) **U.S. Cl.** **D15/28**

(58) **Field of Classification Search** D15/28,
D15/10, 18, 21, 30, 199; D12/174, 178, 179;
D34/28, 34, 35; D14/412, 416; 280/43.12,
280/43.17, 43.23; 244/234, 236; 180/287,
180/90, 315; 296/70; 56/320.2, 255
See application file for complete search history.

(56) **References Cited**

U.S. PATENT DOCUMENTS

- D331,932 S * 12/1992 Lenski et al. D15/28
- D365,976 S * 1/1996 Chiu D8/330
- 5,938,282 A * 8/1999 Epple 297/217.3
- D418,097 S * 12/1999 Leschke et al. D12/179
- D419,570 S * 1/2000 Blondeel et al. D15/29
- D436,114 S * 1/2001 Beugelsdyk et al. D15/17

- D463,457 S * 9/2002 Nagatsuka D15/28
- D464,007 S * 10/2002 Ligneau D12/179
- 6,612,636 B2 * 9/2003 Arthur et al. 296/71
- 6,634,453 B2 * 10/2003 Arthur et al. 180/315
- D491,958 S * 6/2004 Holma D15/28
- D495,847 S * 9/2004 Granberg D34/35
- D515,770 S * 2/2006 Ryan et al. D34/35
- D516,097 S * 2/2006 Bergman et al. D15/28
- D526,109 S * 8/2006 Bergman et al. D34/35
- 2005/0011696 A1 * 1/2005 Bares et al. 180/315
- 2005/0072619 A1 * 4/2005 Amamiya et al. 180/315

* cited by examiner

Primary Examiner—Stella Reid

Assistant Examiner—Mark Gooddwin

(74) *Attorney, Agent, or Firm*—Synnestvedt & Lechner LLP

(57) **CLAIM**

The ornamental design for a control lever for construction equipment, as shown and described.

DESCRIPTION

FIG. 1 is a front perspective view of a control lever for construction equipment showing our new design; FIG. 2 is a rear perspective view thereof; FIG. 3 is a front view thereof; FIG. 4 is a rear view thereof; FIG. 5 is a top plan view thereof; FIG. 6 is a bottom plan view thereof; FIG. 7 is a right side elevational view thereof; and, FIG. 8 is a left side elevational view thereof. The broken lines are shown for illustrative purposes only and form no part of the claimed design.

1 Claim, 6 Drawing Sheets

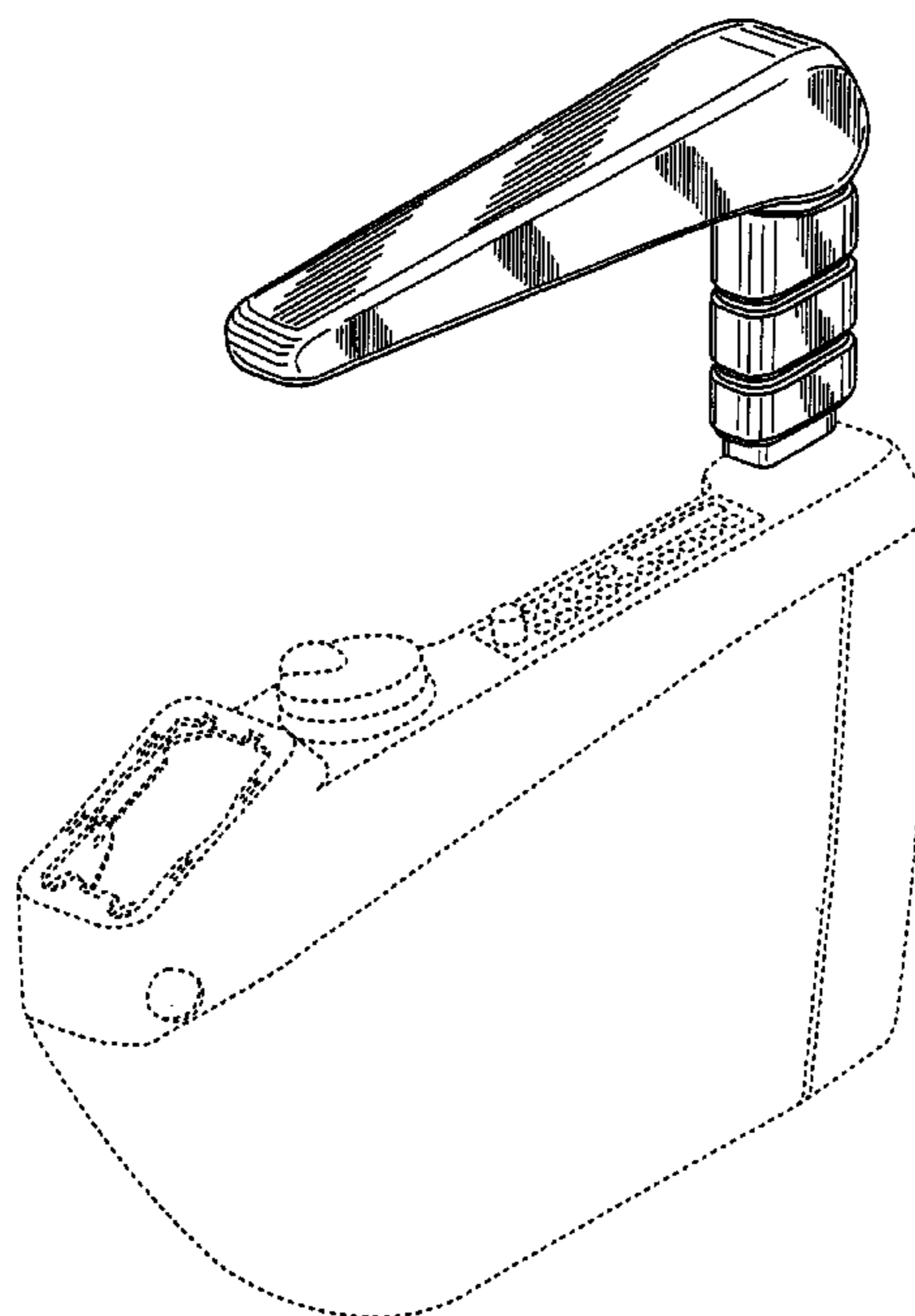


FIG. 1

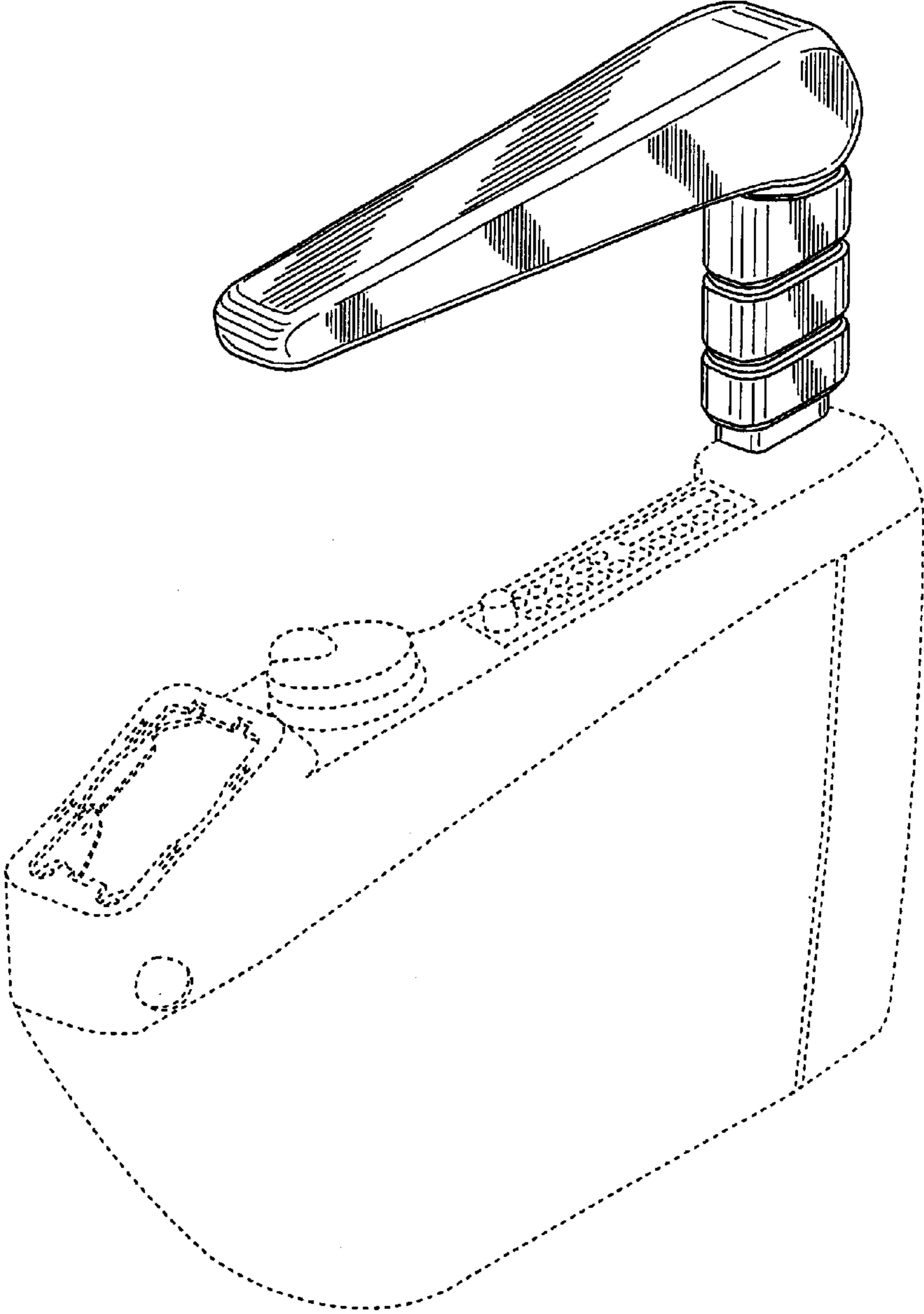


FIG. 2

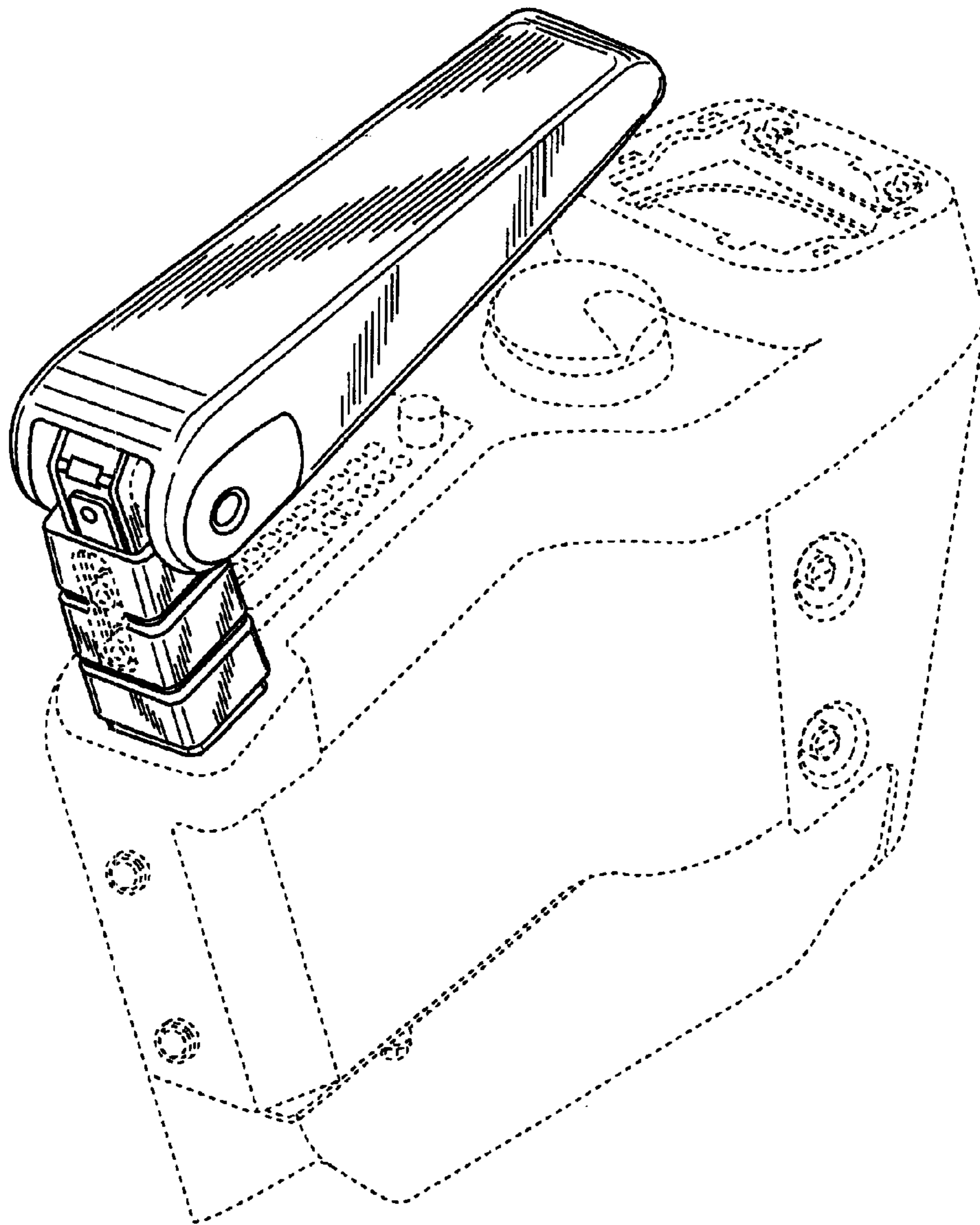


FIG. 3

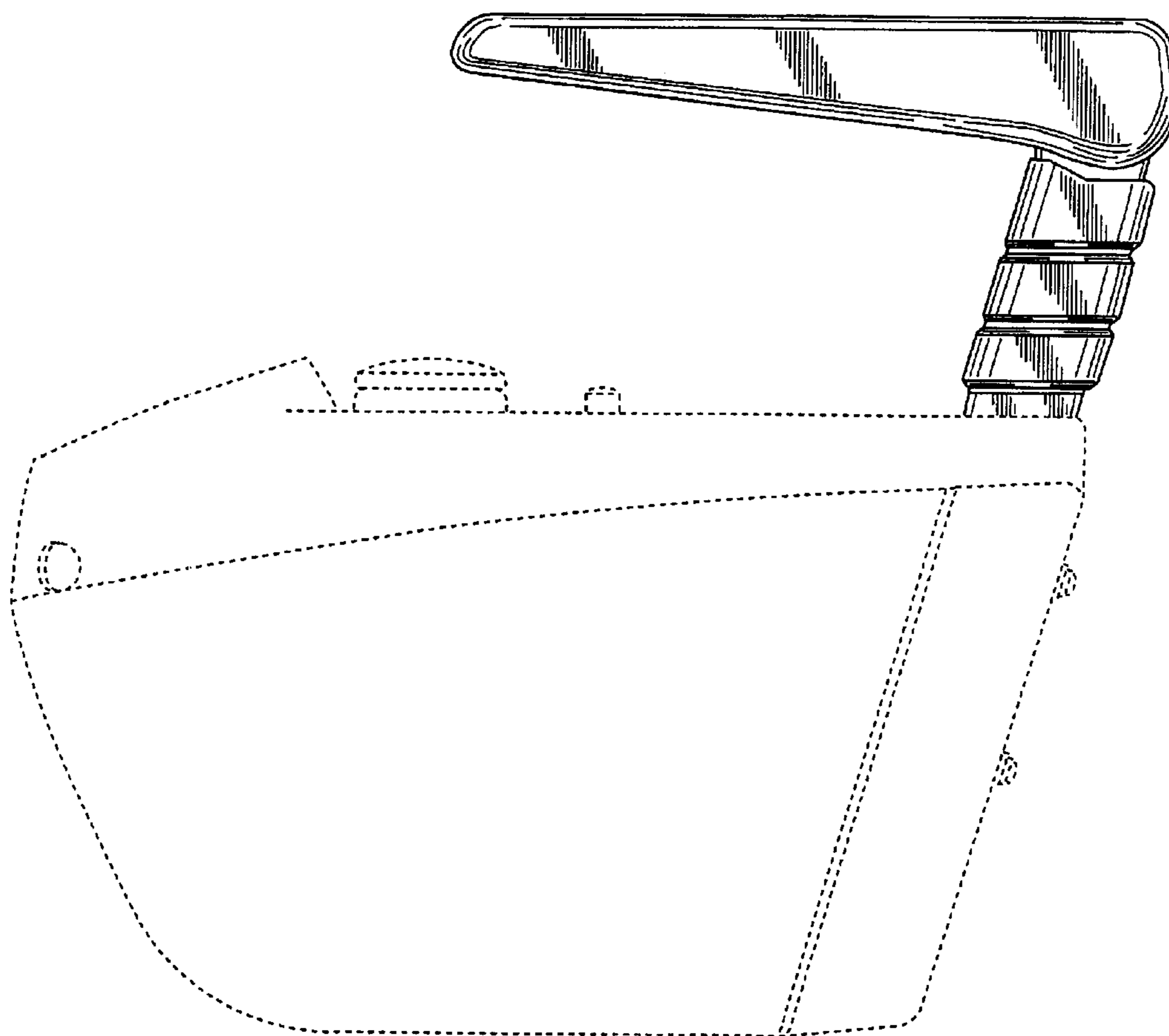


FIG. 4

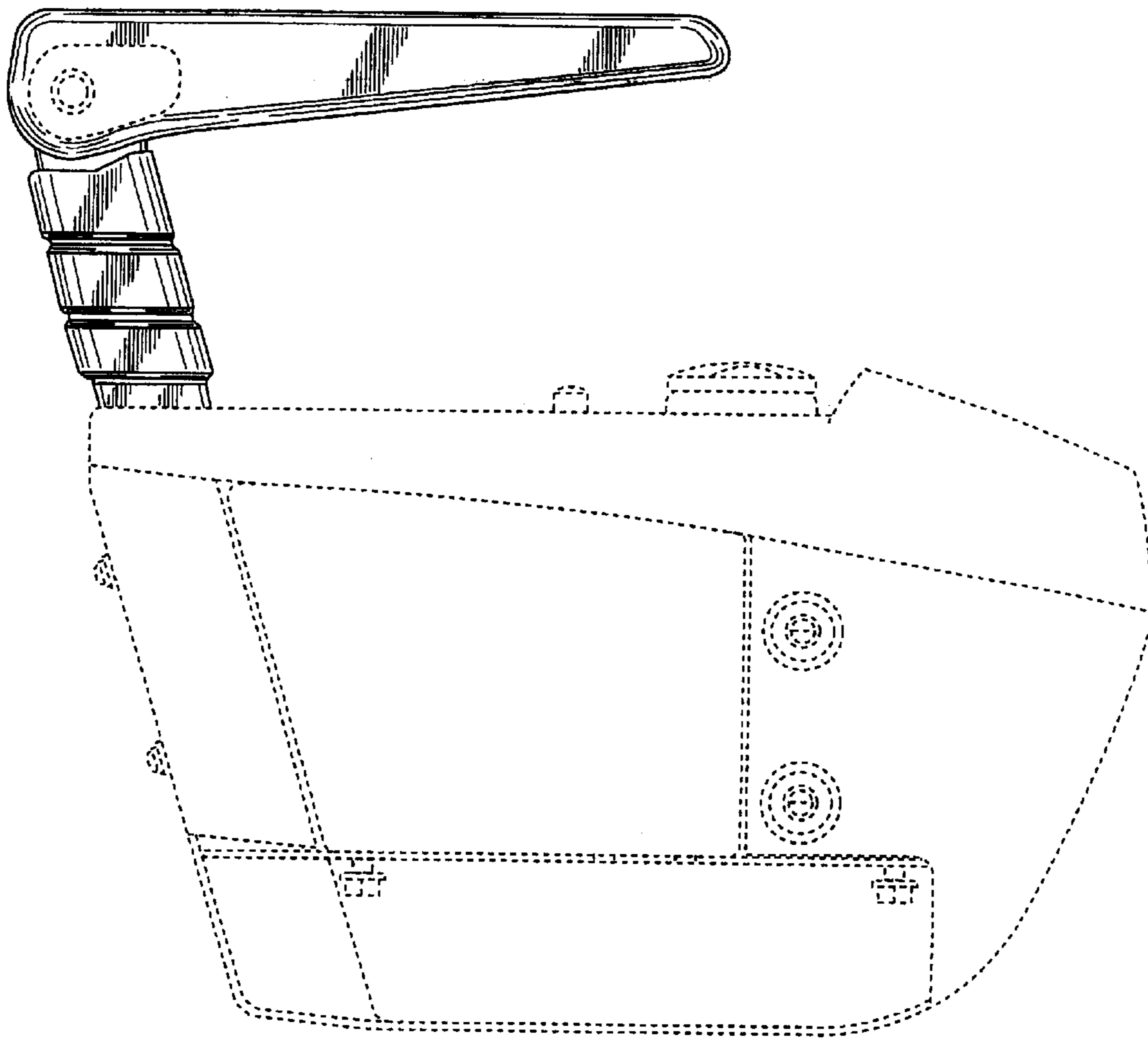


FIG. 5

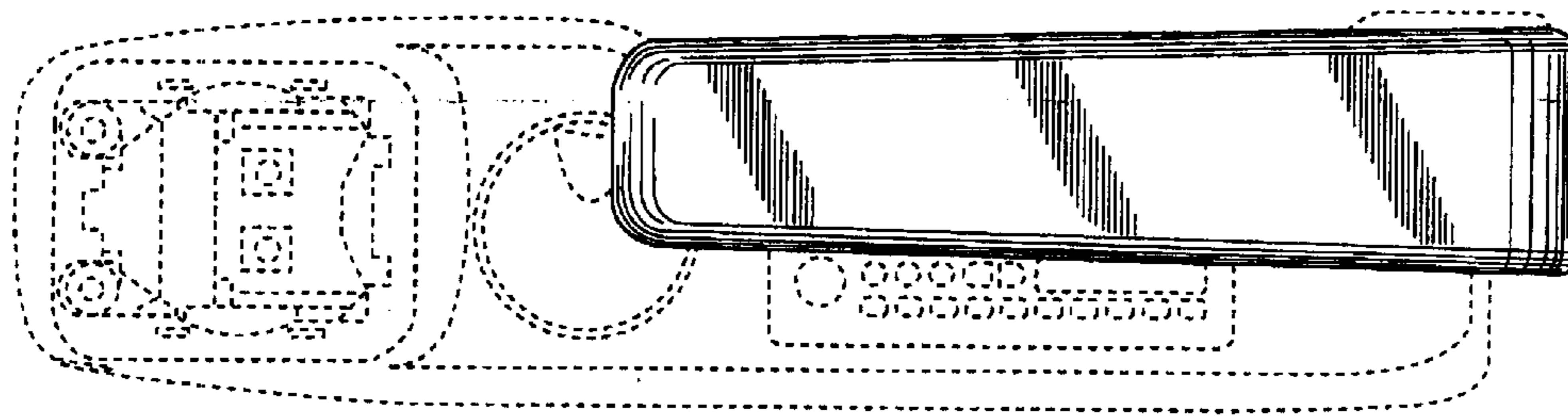


FIG. 6

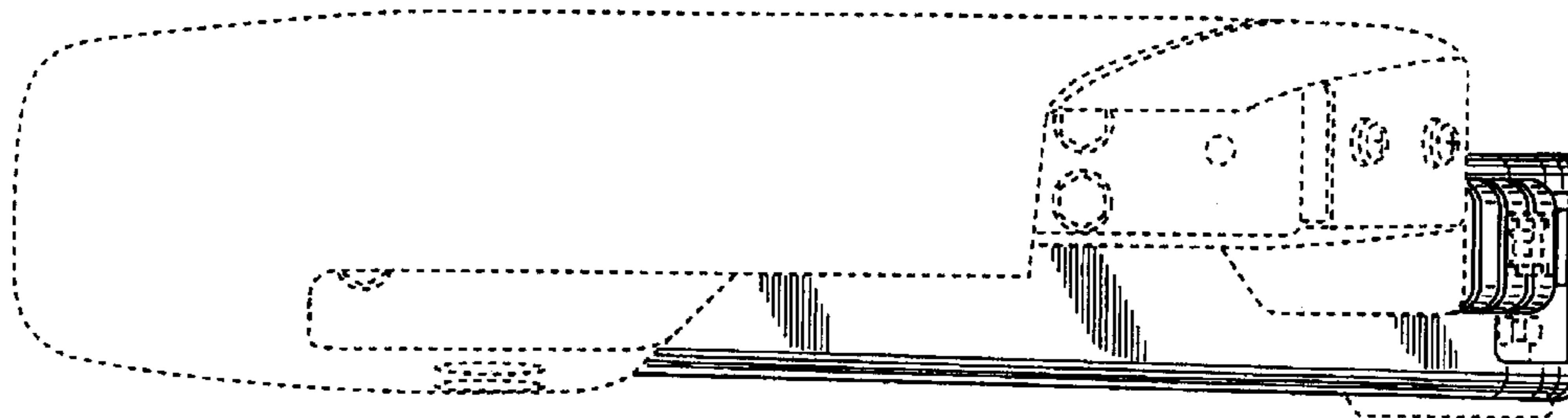


FIG. 7

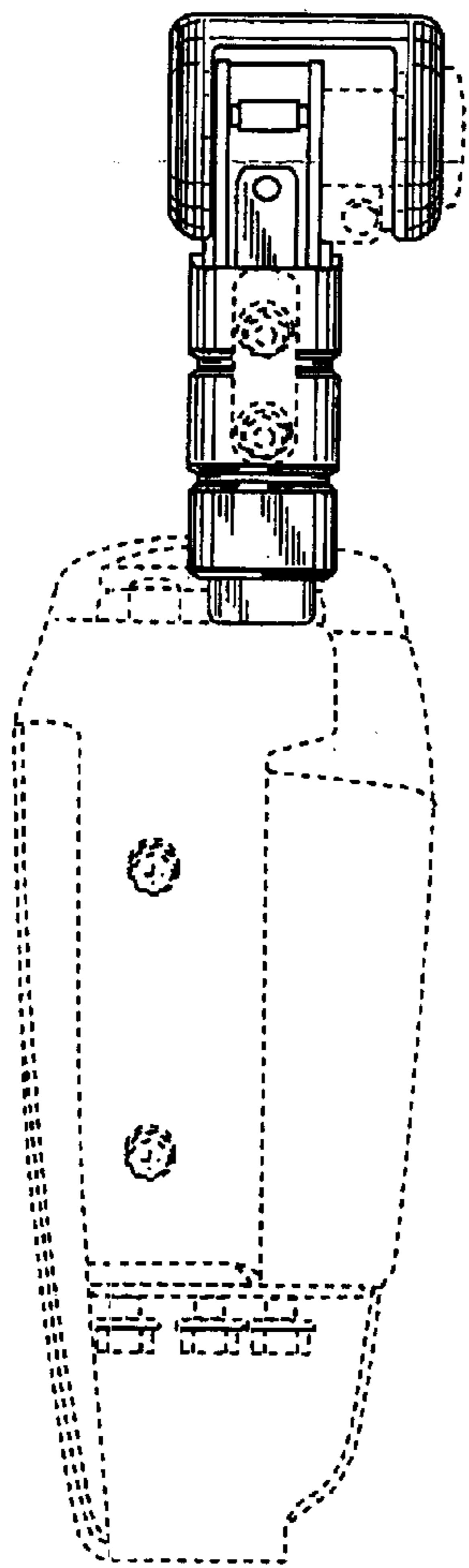


FIG. 8

