



US00D541822S

(12) **United States Design Patent**
Wang

(10) **Patent No.:** **US D541,822 S**

(45) **Date of Patent:** **** May 1, 2007**

(54) **AIR COMPRESSOR**

(76) Inventor: **Min-Hsieng Wang**, P.O. Box 90,
Tainan City 70499 (TW)

(**) Term: **14 Years**

(21) Appl. No.: **29/264,567**

(22) Filed: **Aug. 14, 2006**

(51) **LOC (8) Cl.** **15-02**

(52) **U.S. Cl.** **D15/9**

(58) **Field of Classification Search** D15/7-9;
D23/232, 231; 417/359, 415-416, 410.1,
417/321, 265, 405

See application file for complete search history.

(56) **References Cited**

U.S. PATENT DOCUMENTS

D327,482 S * 6/1992 Wang D15/9
D398,011 S * 9/1998 Wang D15/9
D441,376 S * 5/2001 Gohil et al. D15/7

D470,865 S * 2/2003 Wang D15/9
D500,769 S * 1/2005 Montgomery D15/7
D514,127 S * 1/2006 Christianson D15/9

* cited by examiner

Primary Examiner—Ralf Seifert

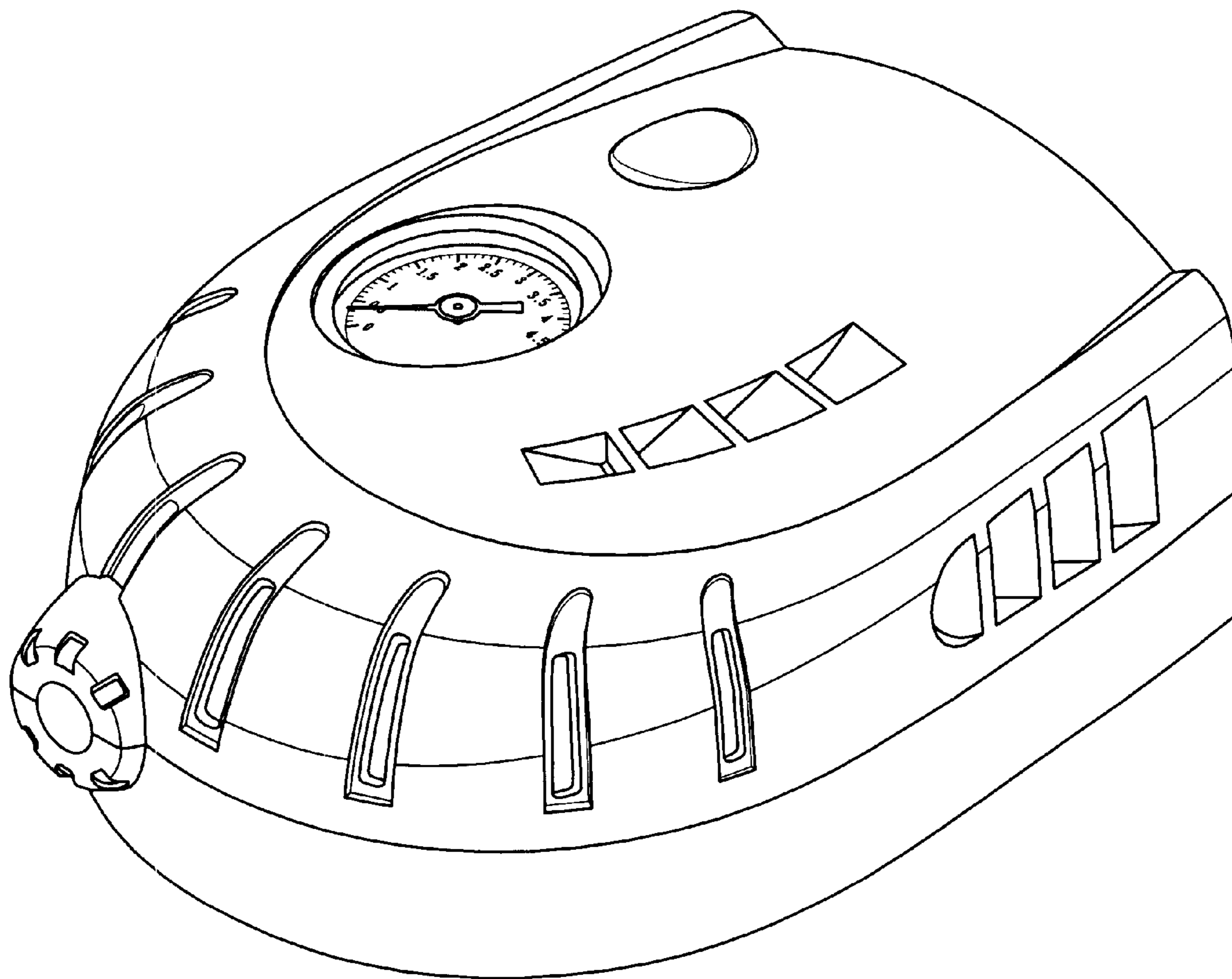
(57) **CLAIM**

The ornamental design for an air compressor, as shown as described.

DESCRIPTION

FIG. 1 is a perspective view of an air compressor showing my design;
FIG. 2 is a front elevational view thereof;
FIG. 3 is a rear elevational view thereof;
FIG. 4 is a left side elevational view thereof;
FIG. 5 is a right side elevational view thereof;
FIG. 6 is a top plan view thereof; and,
FIG. 7 is a bottom plan view thereof.

1 Claim, 5 Drawing Sheets



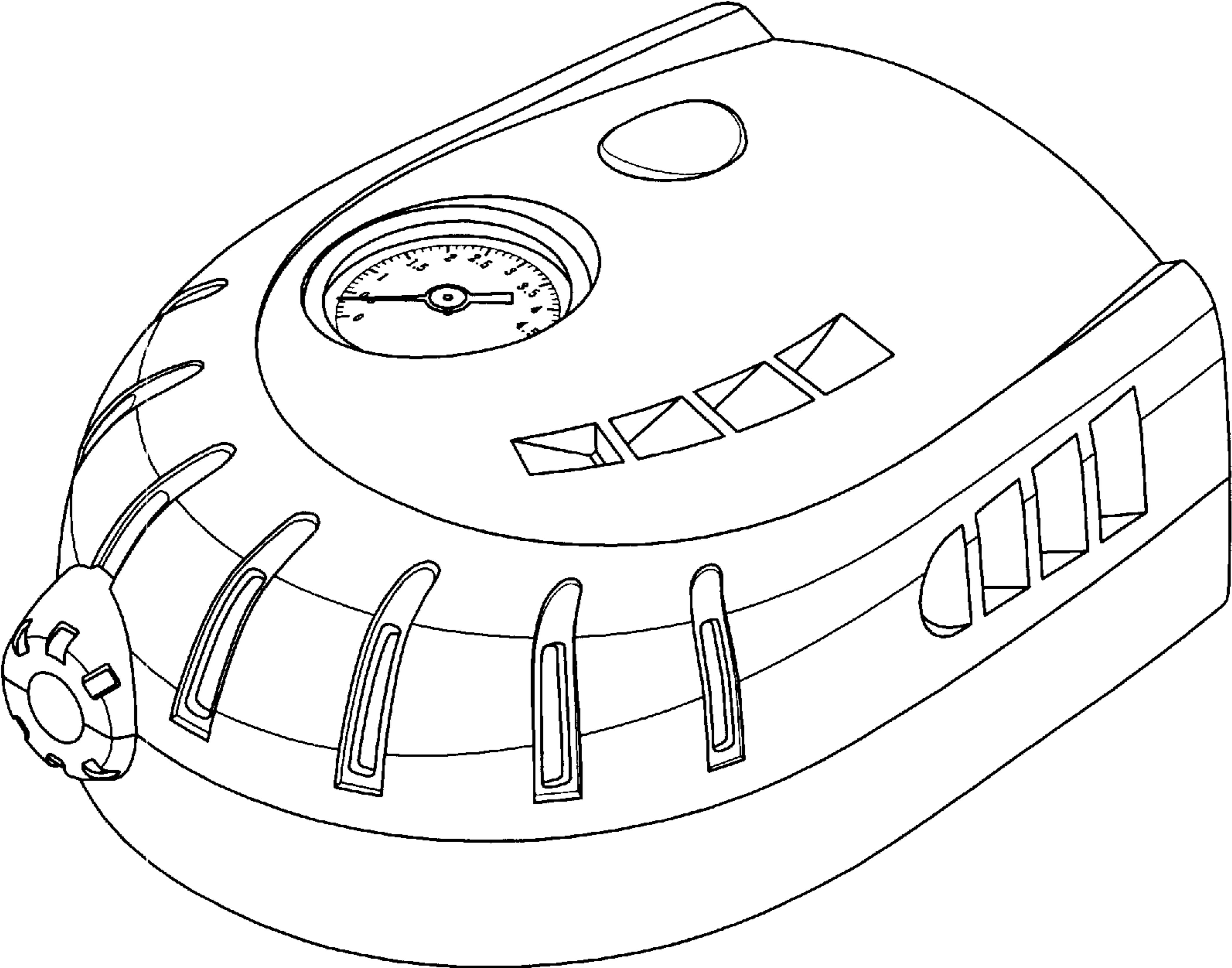


FIG.1

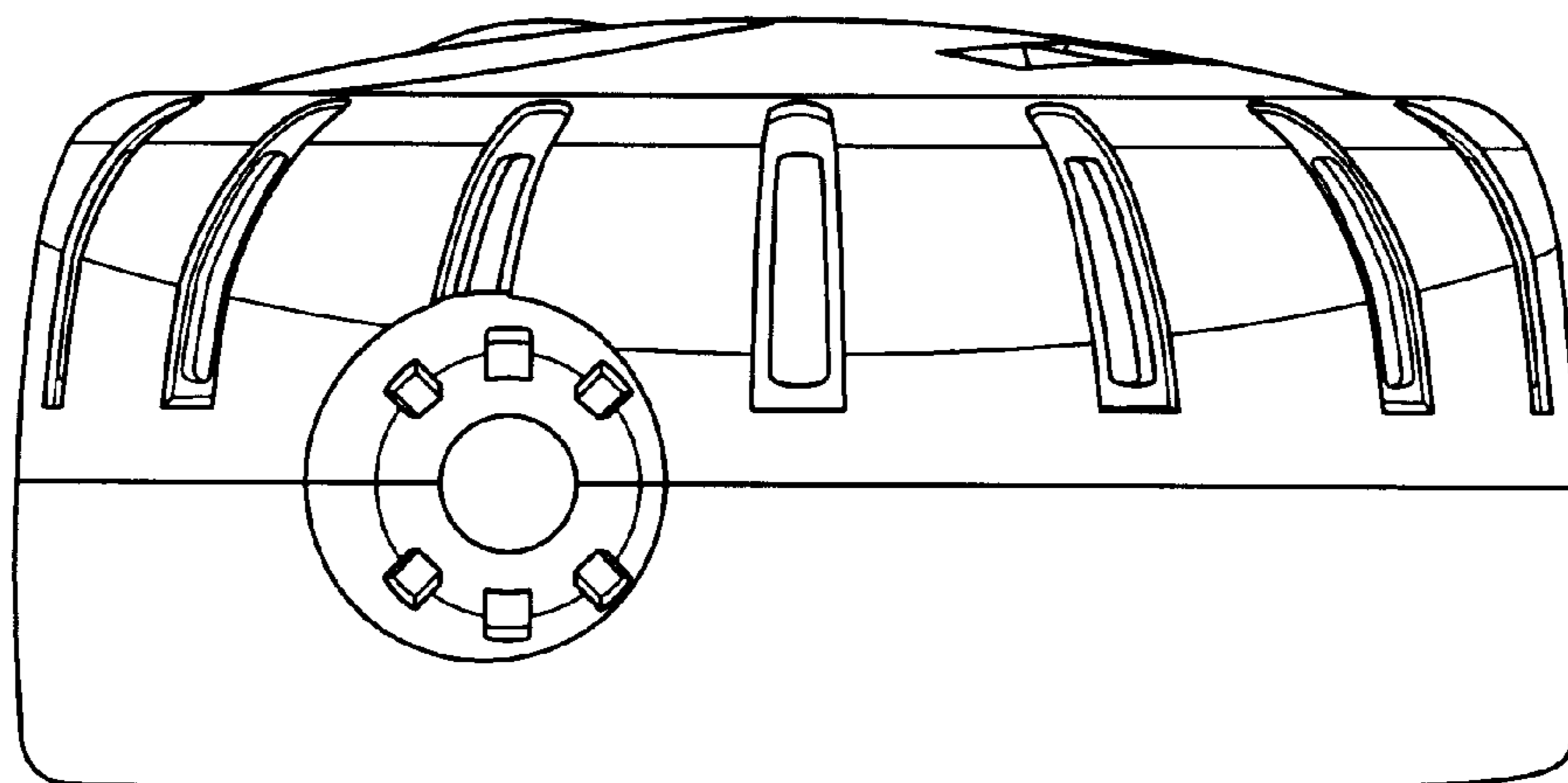


FIG. 2

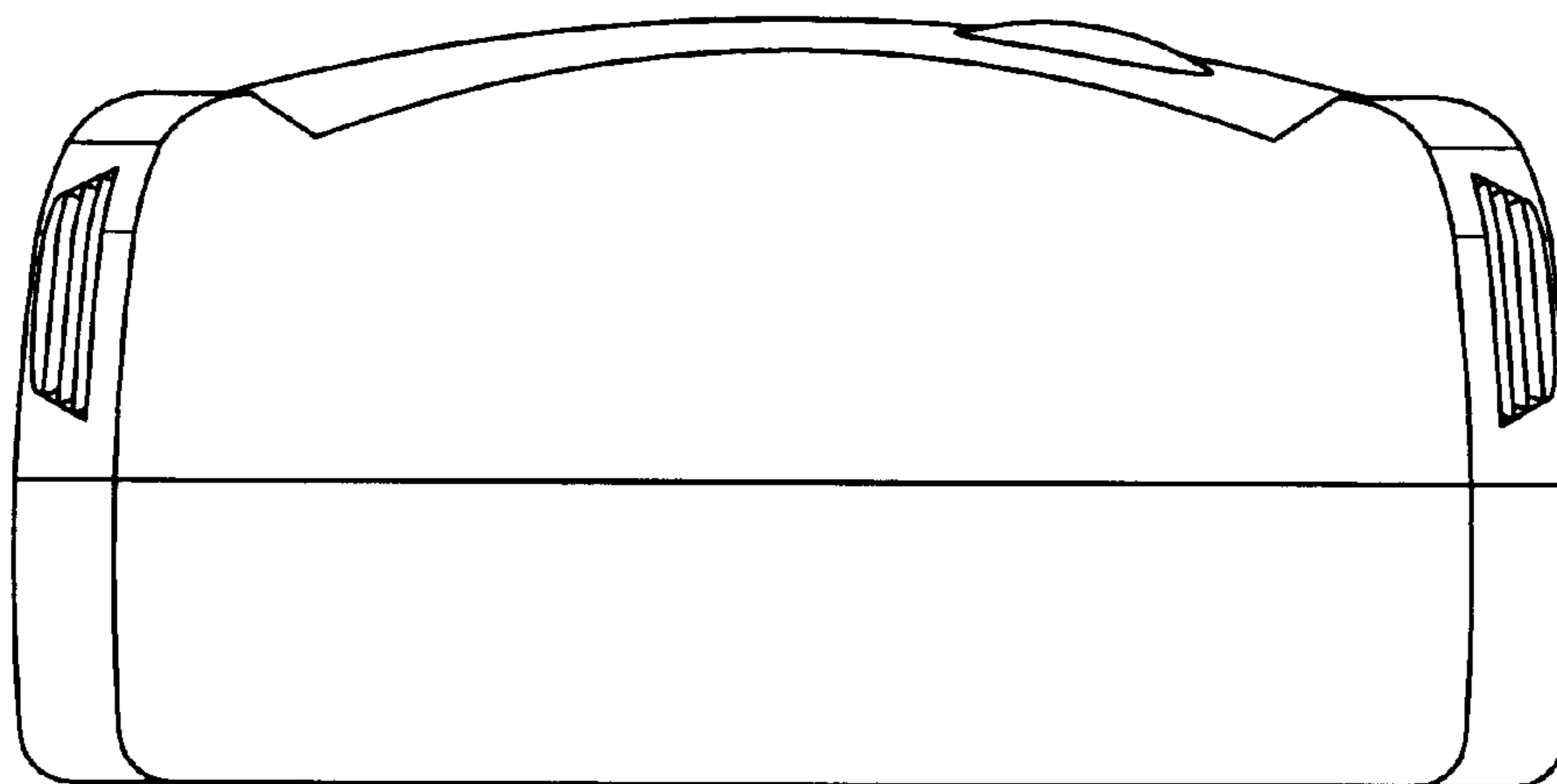


FIG. 3

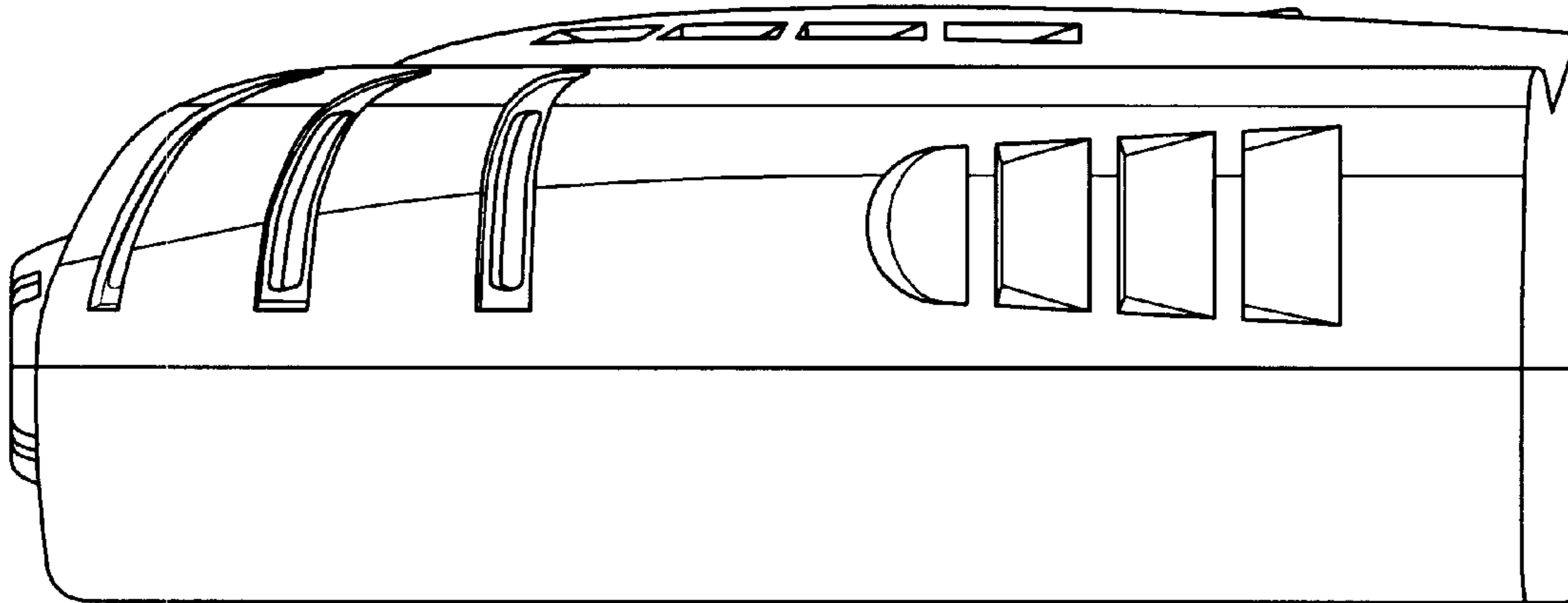


FIG. 4

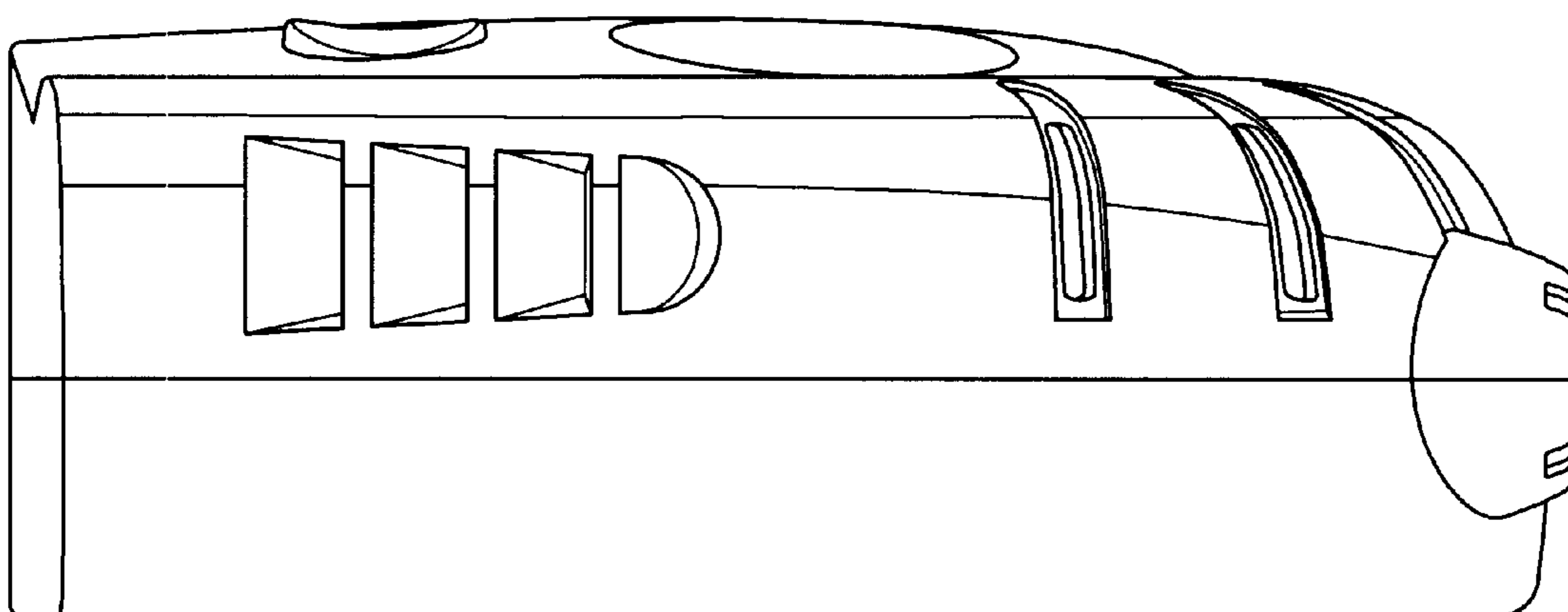


FIG. 5

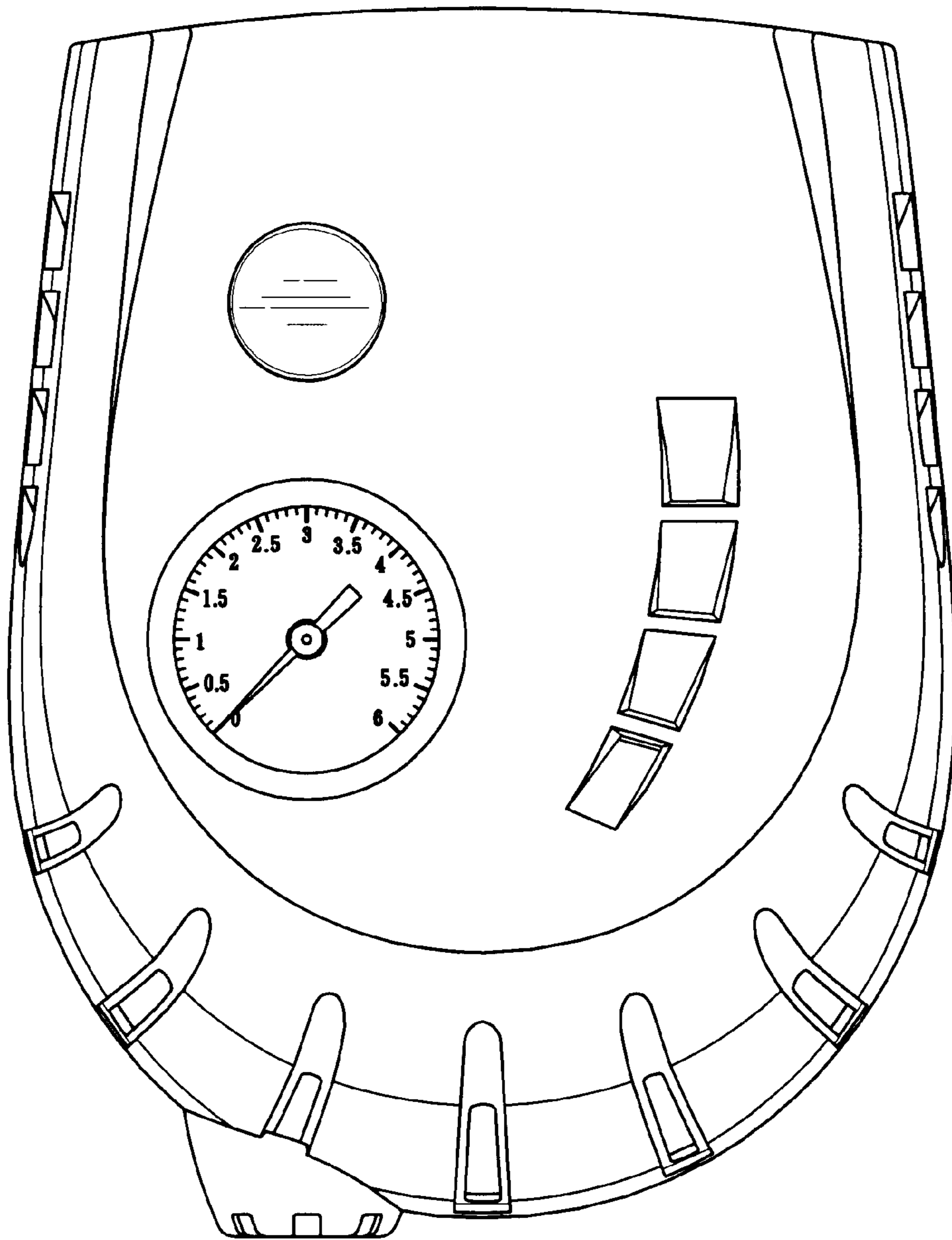


FIG.6

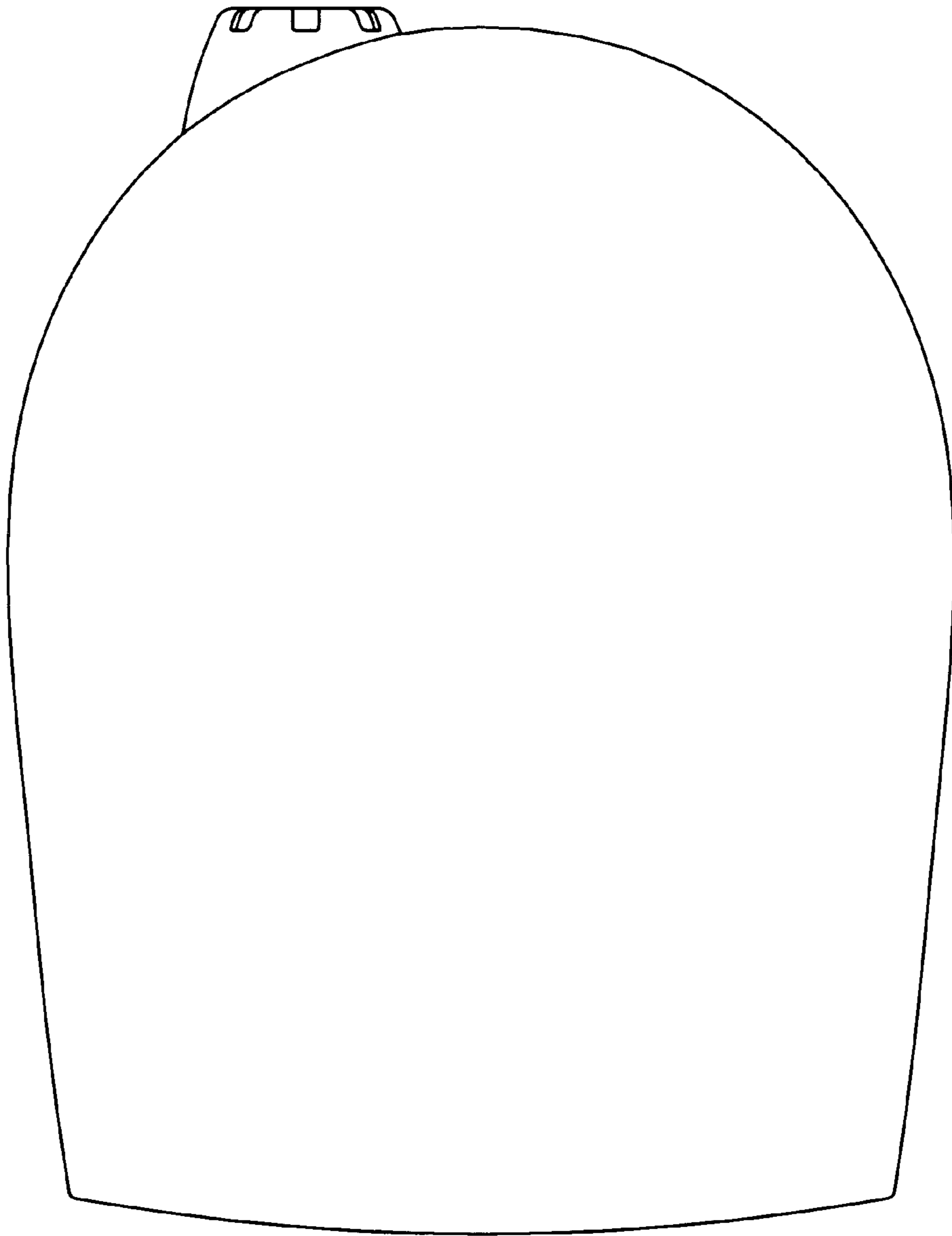


FIG.7