

US00D541820S

(12) **United States Design Patent**
Chu

(10) **Patent No.:** **US D541,820 S**

(45) **Date of Patent:** **** May 1, 2007**

(54) **CYLINDER HOUSING FOR AIR COMPRESSOR**

D363,073 S * 10/1995 Makino D15/7
D363,493 S * 10/1995 Makino D15/7

(76) Inventor: **Henry C. Chu**, 133N. Lemon St.,
Orange, CA (US) 92866

* cited by examiner

Primary Examiner—Ralf Seifert

(74) *Attorney, Agent, or Firm*—Charles E. Baxley

(**) Term: **14 Years**

(57) **CLAIM**

(21) Appl. No.: **29/262,234**

The ornamental design for a cylinder housing for air compressor, as shown and described.

(22) Filed: **Jun. 27, 2006**

DESCRIPTION

(51) **LOC (8) Cl.** **15-02**

(52) **U.S. Cl.** **D15/9**

(58) **Field of Classification Search** D15/7-9;
D23/232, 231; 417/359, 415-416, 410.1,
417/321, 265, 405

See application file for complete search history.

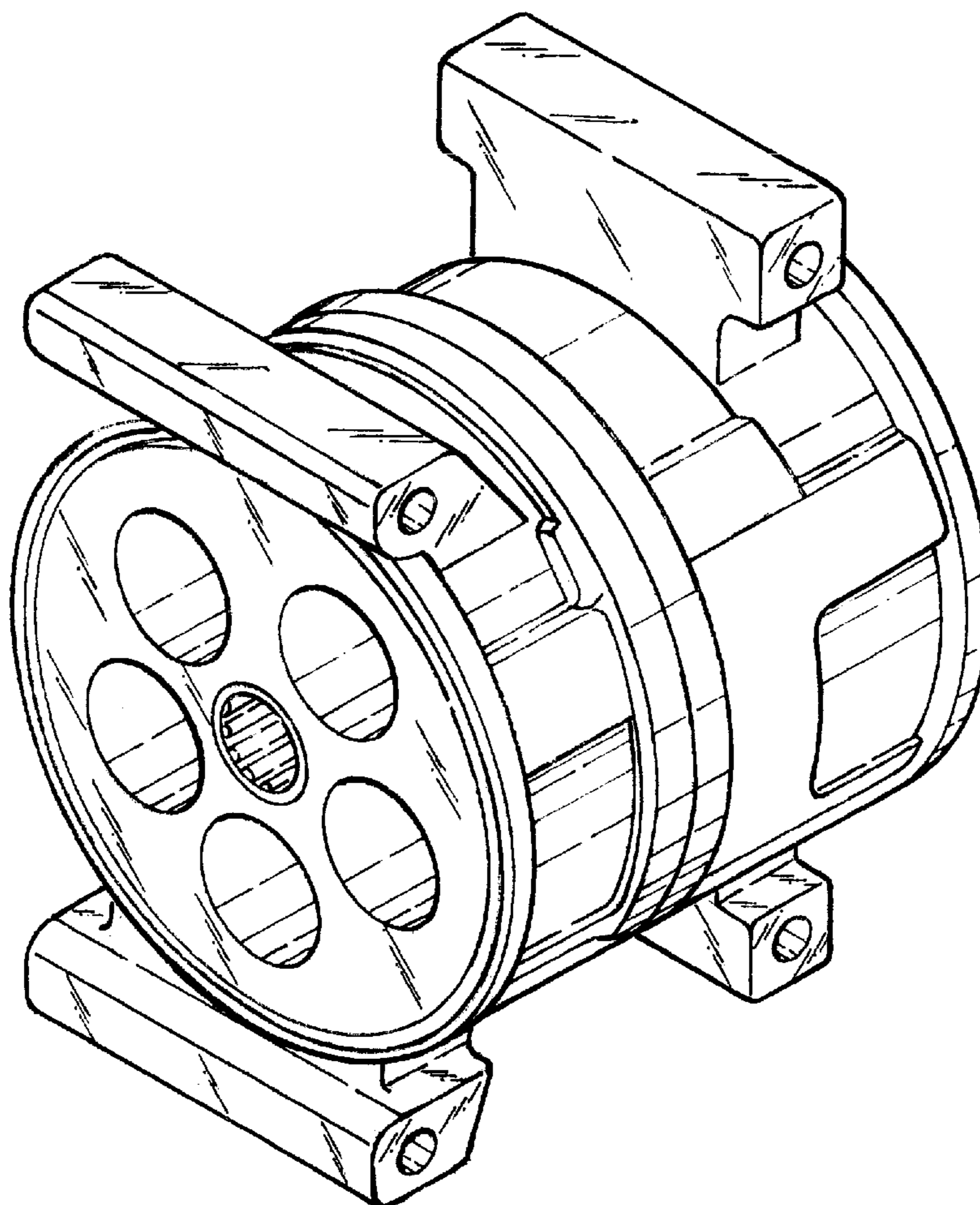
FIG. 1 is a perspective view of a cylinder housing for air compressor showing my new design; FIG. 2 is a front elevational view thereof; FIG. 3 is a rear elevational view thereof; FIG. 4 is a top plan view thereof; FIG. 5 is a bottom plan view thereof; FIG. 6 is a left side elevational view thereof; FIG. 7 is a right side elevational view thereof; and, FIG. 8 is a perspective view thereof, the port depicted by means of broken lines being for illustrative purposes only and forming no part of the claimed design.

(56) **References Cited**

U.S. PATENT DOCUMENTS

4,702,830 A * 10/1987 Makino et al. 210/220
D356,573 S * 3/1995 Makino D15/7
D361,572 S * 8/1995 Makino D15/7
D361,574 S * 8/1995 Makino D15/7

1 Claim, 5 Drawing Sheets



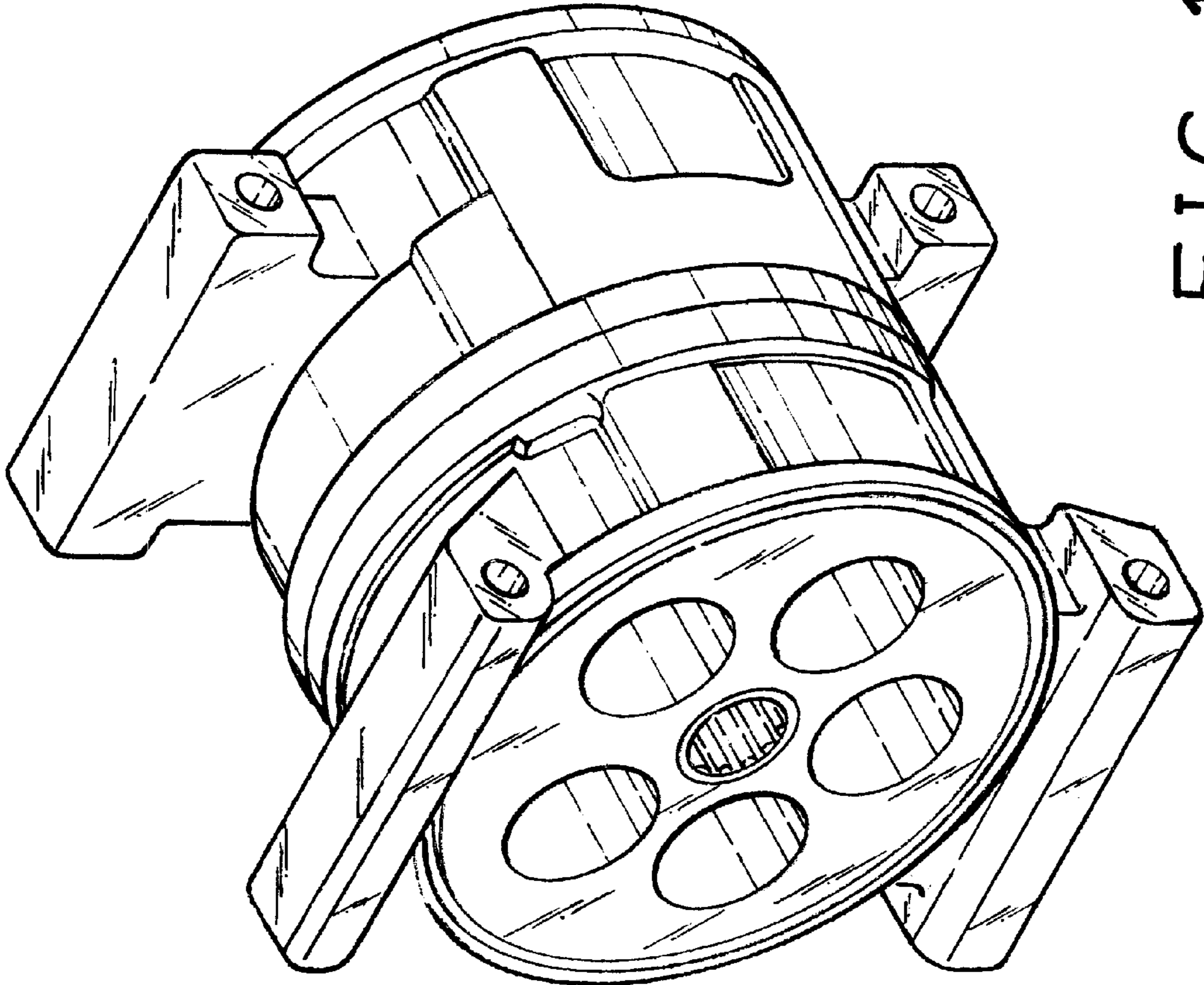


FIG. 1

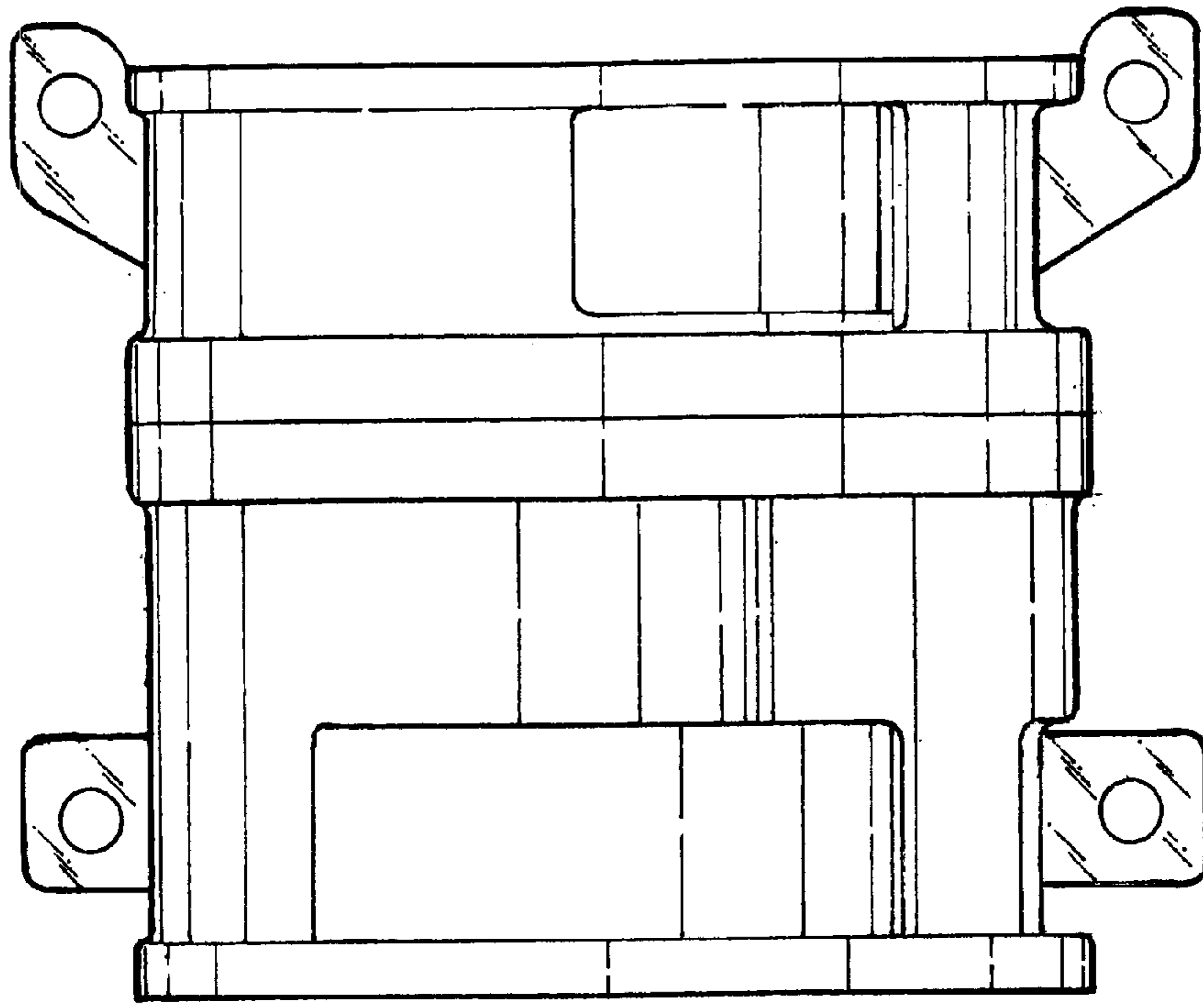


FIG. 3

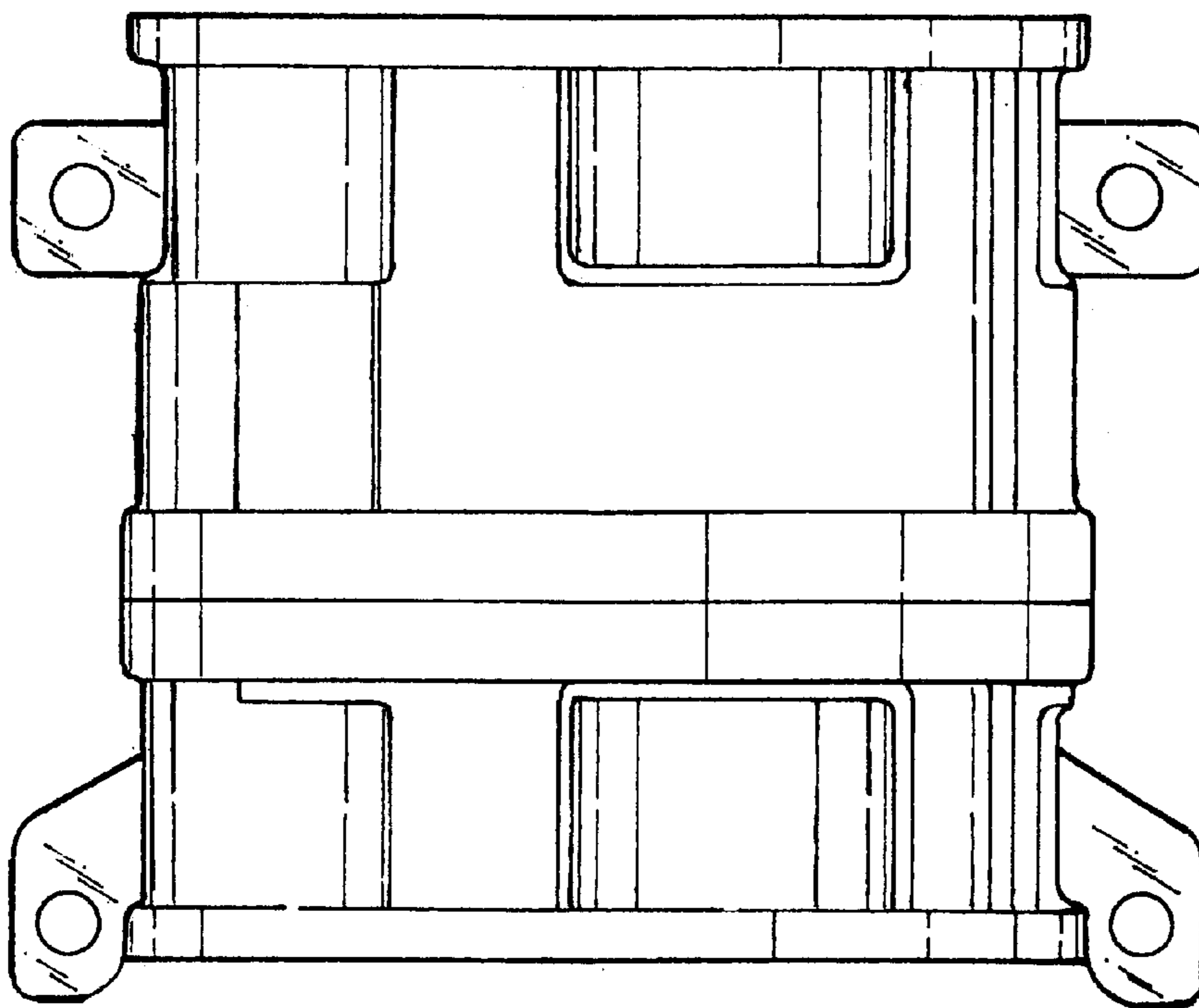


FIG. 2

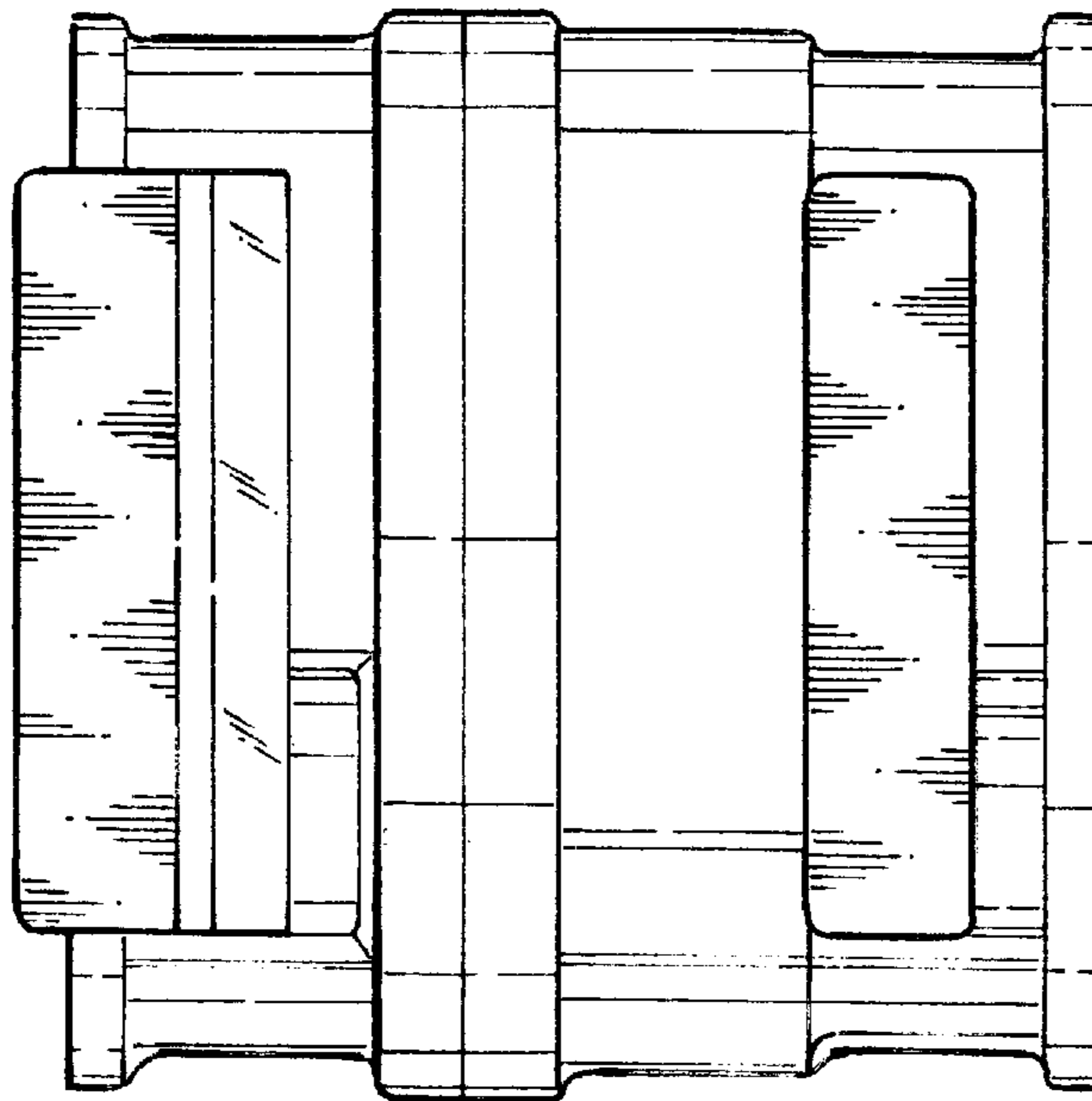


FIG. 4

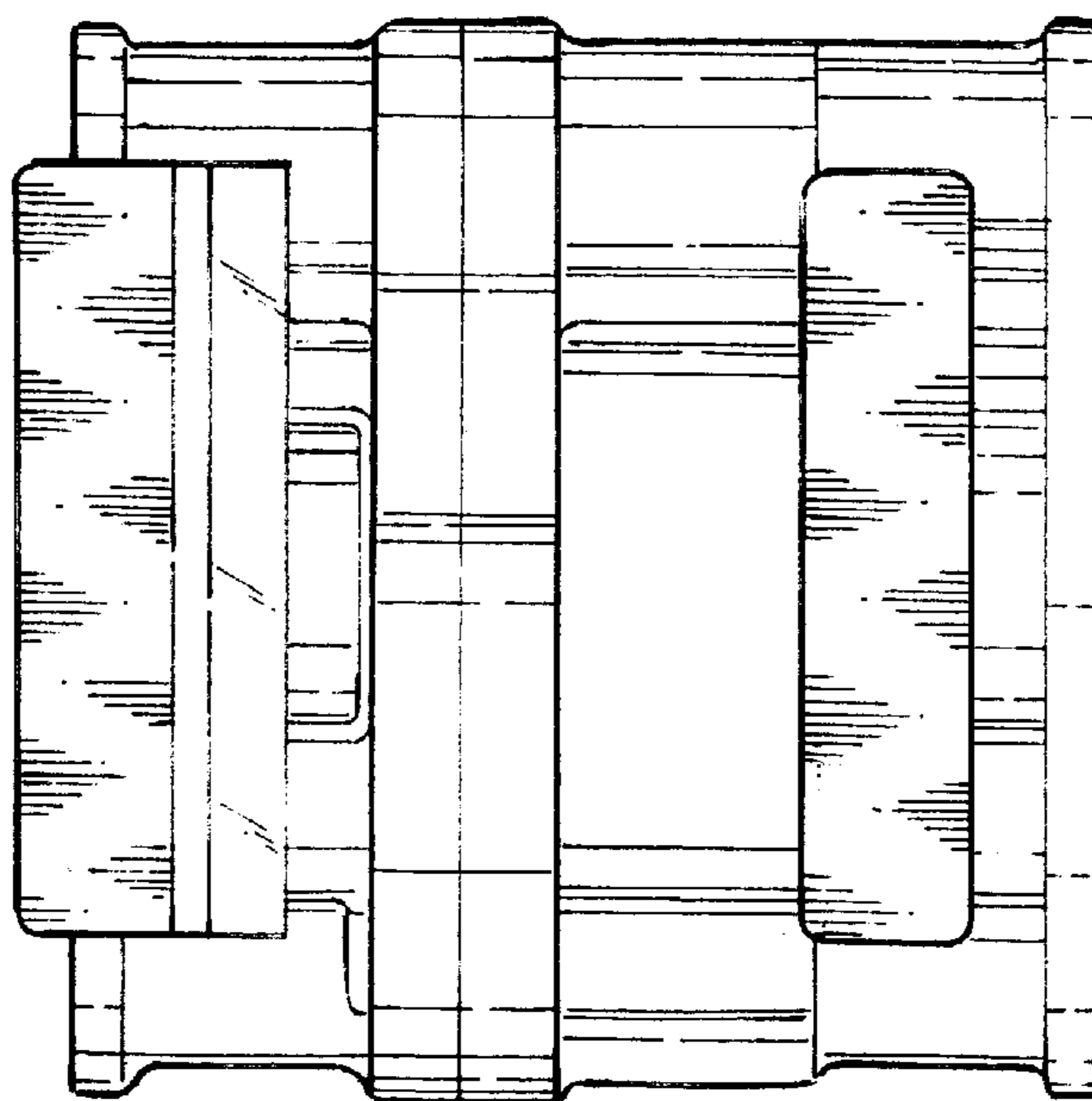


FIG. 5

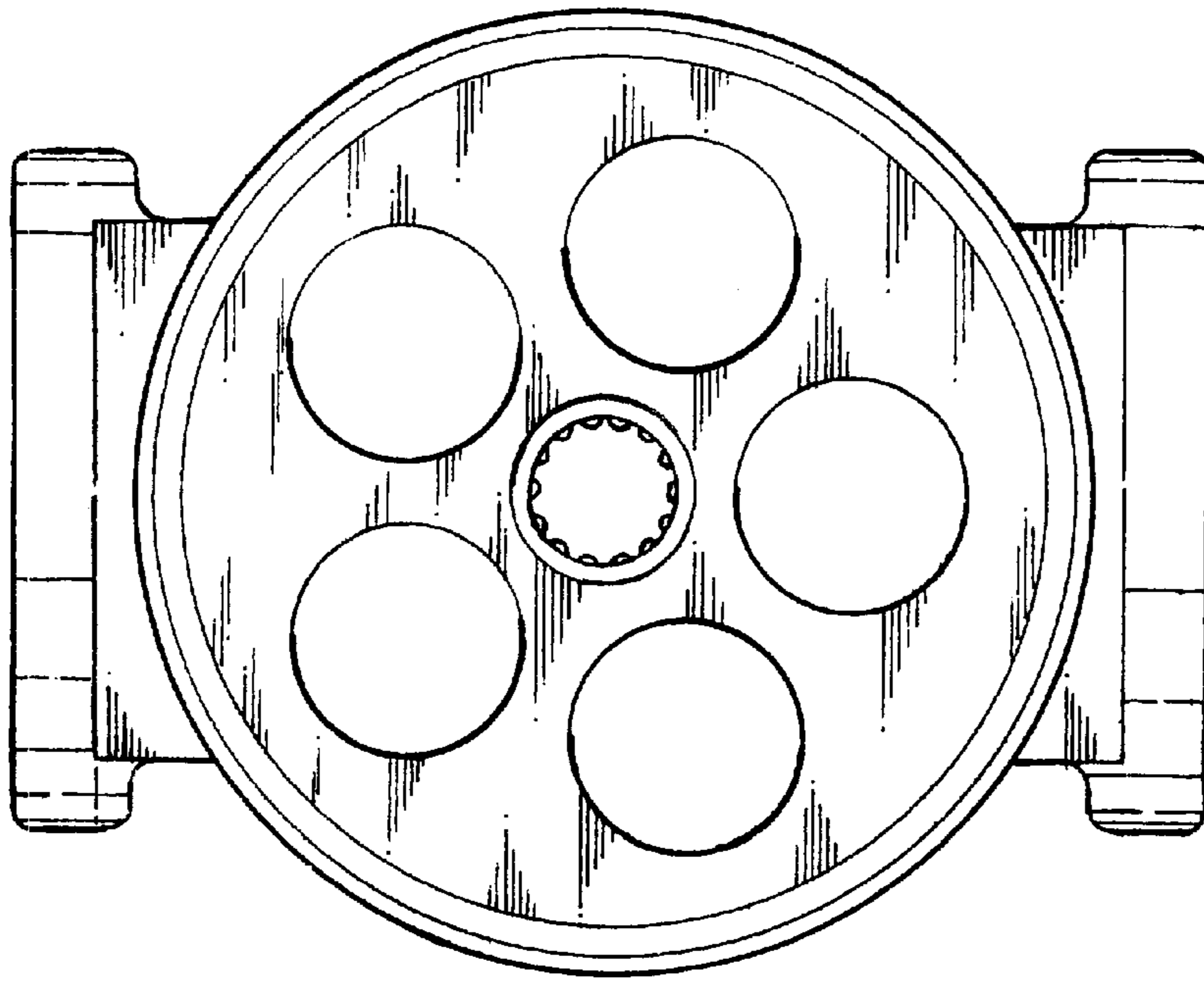


FIG. 7

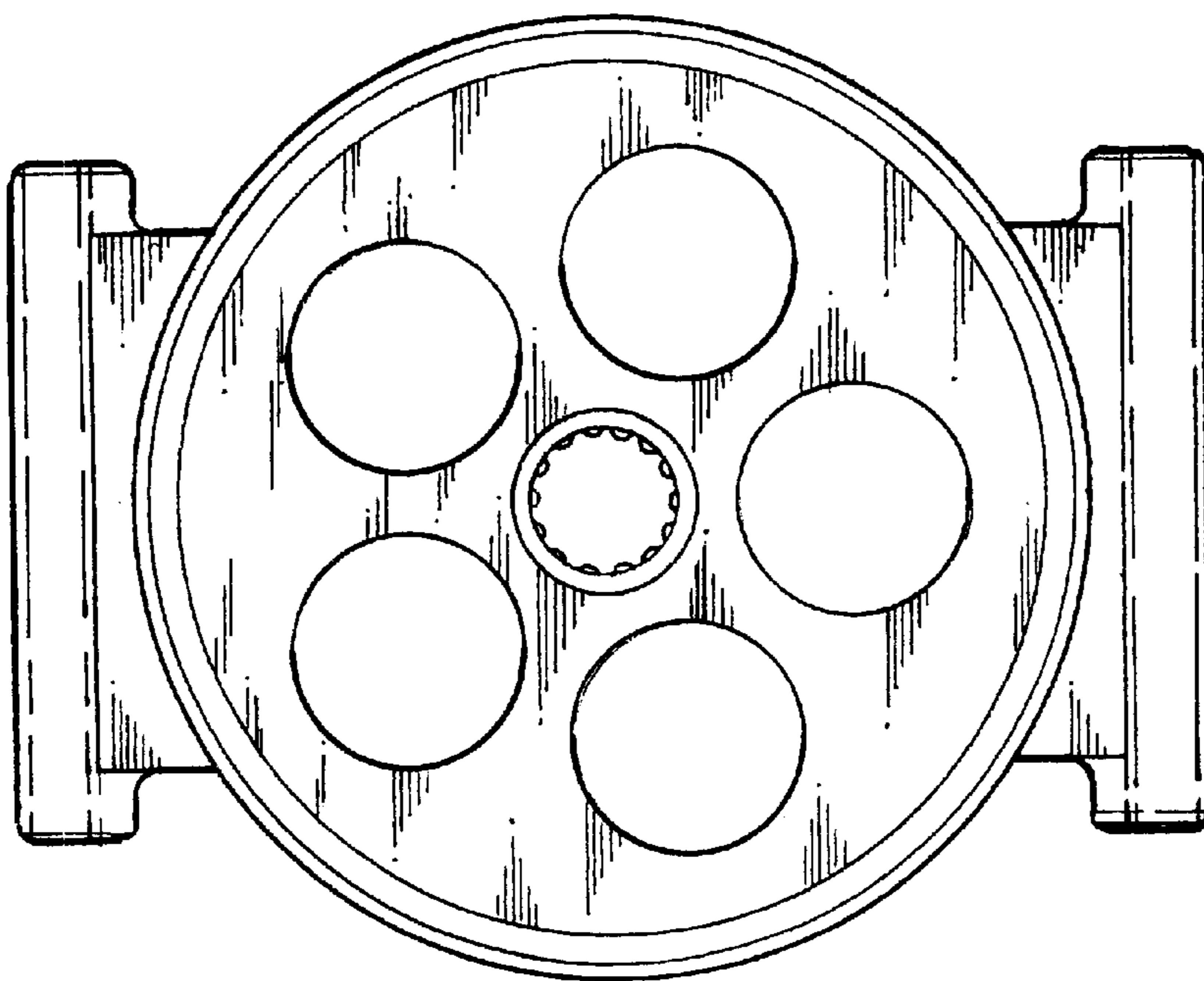


FIG. 6

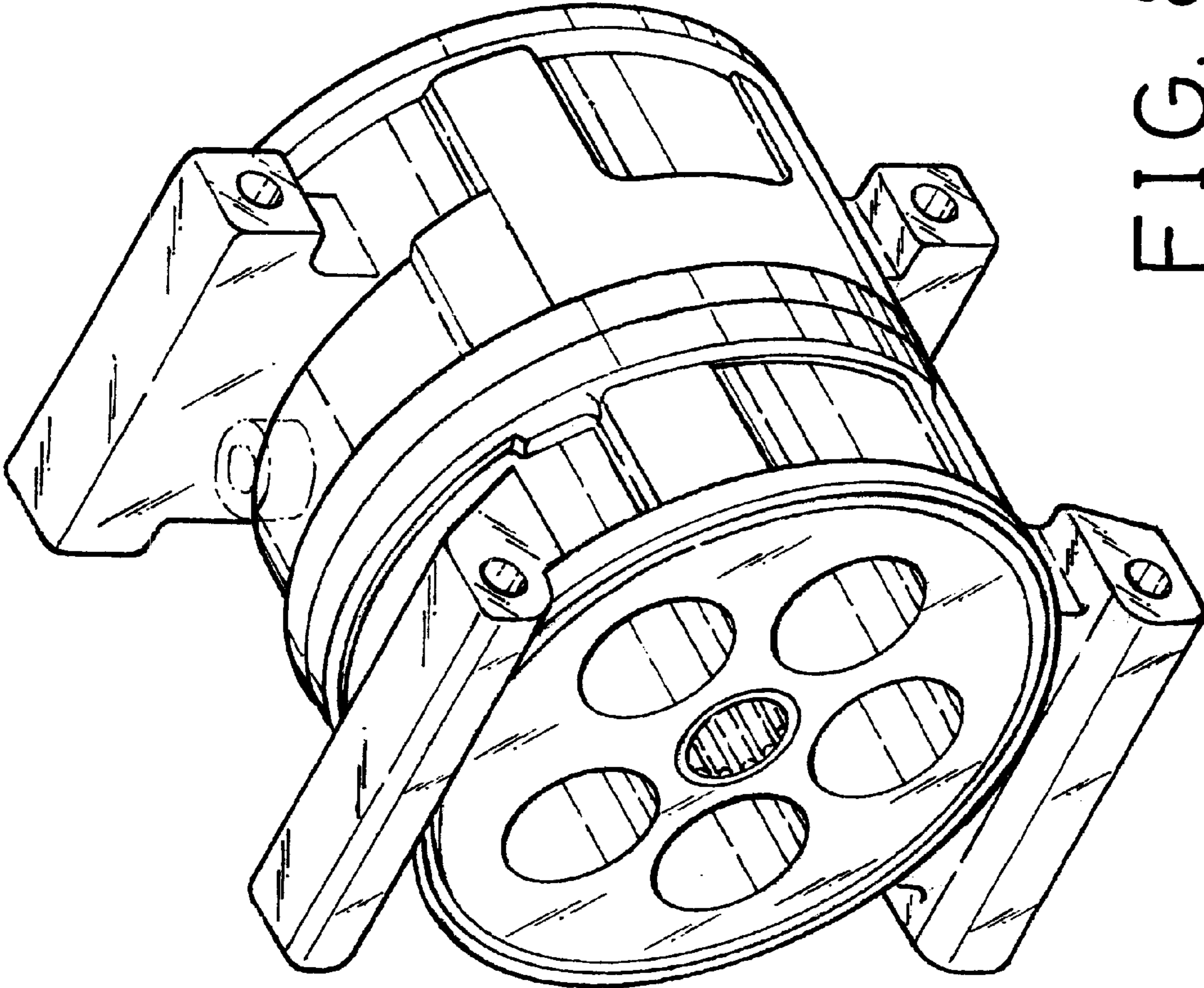


FIG. 8