

US00D541819S

(12) **United States Design Patent**  
**Chu**

(10) **Patent No.:** **US D541,819 S**

(45) **Date of Patent:** **\*\* May 1, 2007**

(54) **CYLINDER HOUSING FOR AIR COMPRESSOR**

D363,073 S \* 10/1995 Makino ..... D15/7  
D363,493 S \* 10/1995 Makino ..... D15/7

(76) Inventor: **Henry C. Chu**, 133N. Lemon St.,  
Orange, CA (US) 92866

\* cited by examiner

*Primary Examiner*—Ralf Seifert

(74) *Attorney, Agent, or Firm*—Charles E. Baxley

(\*\*) Term: **14 Years**

(57) **CLAIM**

(21) Appl. No.: **29/262,233**

The ornamental design for a cylinder housing for air compressor, as shown and described.

(22) Filed: **Jun. 27, 2006**

**DESCRIPTION**

(51) **LOC (8) Cl.** ..... **15-02**

(52) **U.S. Cl.** ..... **D15/9**

(58) **Field of Classification Search** ..... D15/7-9;  
D23/232, 231; 417/359, 415-416, 410.1,  
417/321, 265, 405

FIG. 1 is a perspective view of a cylinder housing for air compressor showing my new design;  
FIG. 2 is a front elevational view thereof;  
FIG. 3 is a rear elevational view thereof;  
FIG. 4 is a top plan view thereof;  
FIG. 5 is a bottom plan view thereof;  
FIG. 6 is a left side elevational view thereof;  
FIG. 7 is a right side elevational view thereof; and,  
FIG. 8 is a perspective view thereof, the port depicted by means of broken lines being for illustrative purposes only and forming no part of the claimed design.

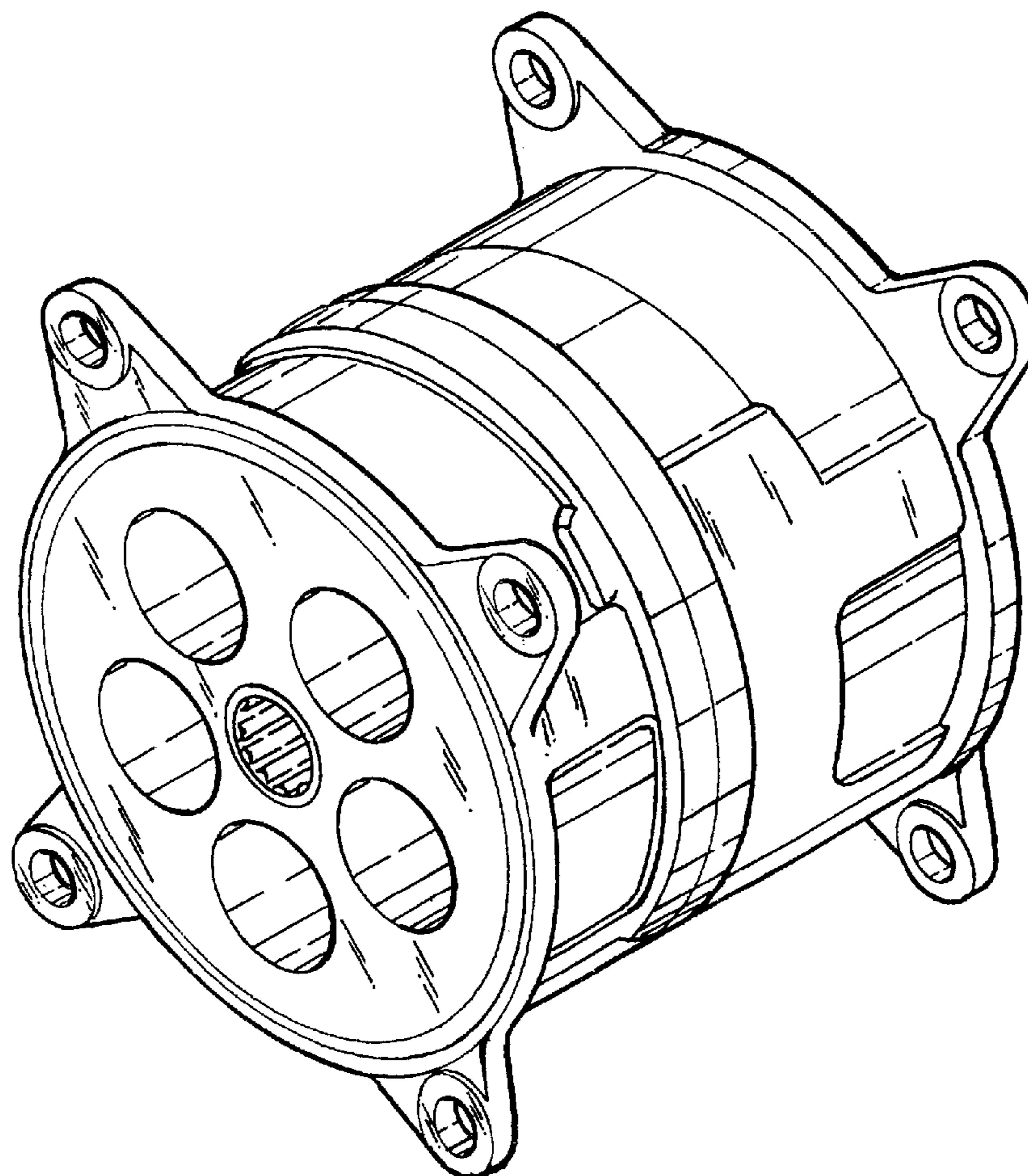
See application file for complete search history.

(56) **References Cited**

**U.S. PATENT DOCUMENTS**

4,702,830 A \* 10/1987 Makino et al. .... 210/220  
D356,573 S \* 3/1995 Makino ..... D15/7  
D361,572 S \* 8/1995 Makino ..... D15/7  
D361,574 S \* 8/1995 Makino ..... D15/7

**1 Claim, 4 Drawing Sheets**



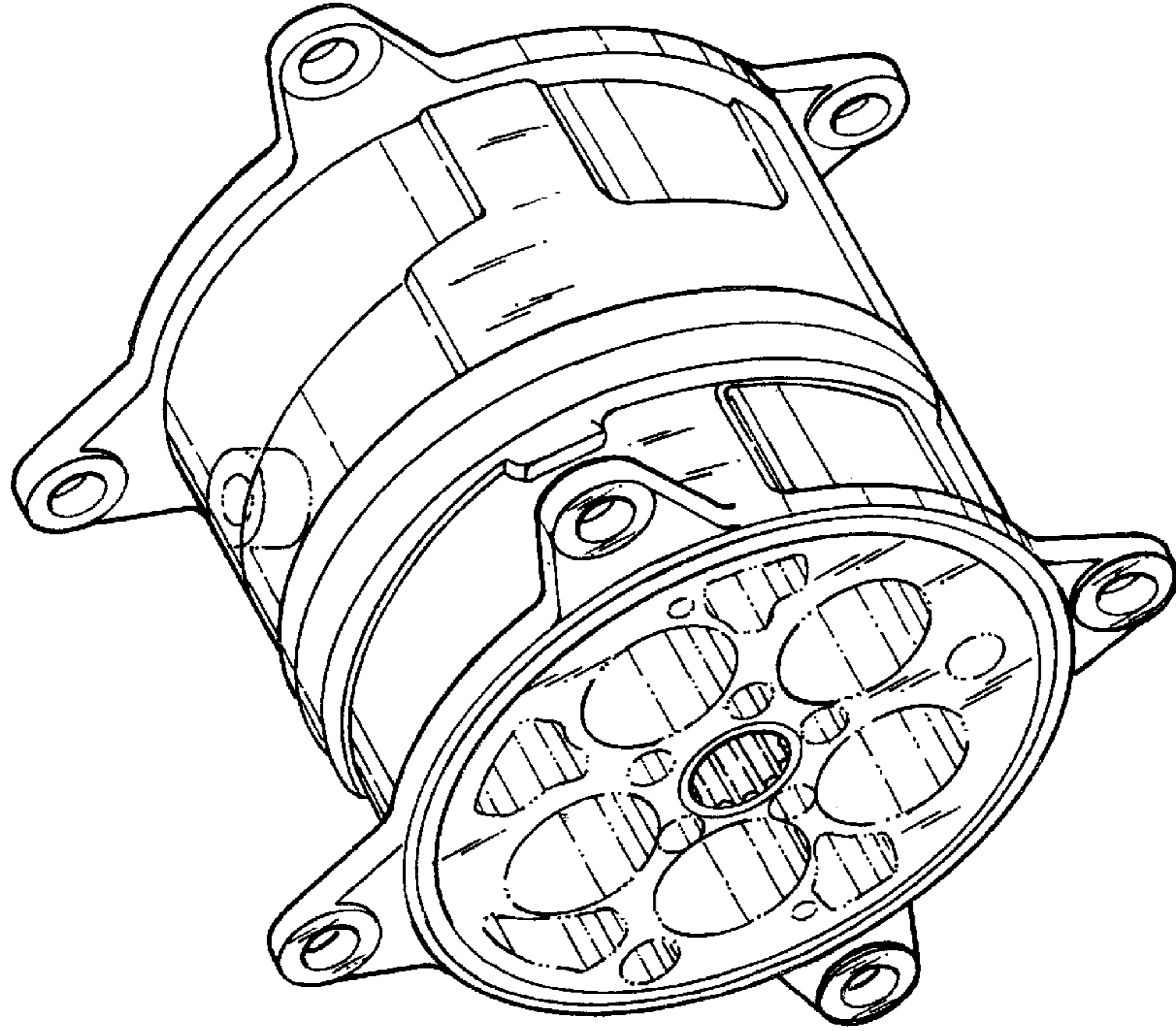


FIG. 8

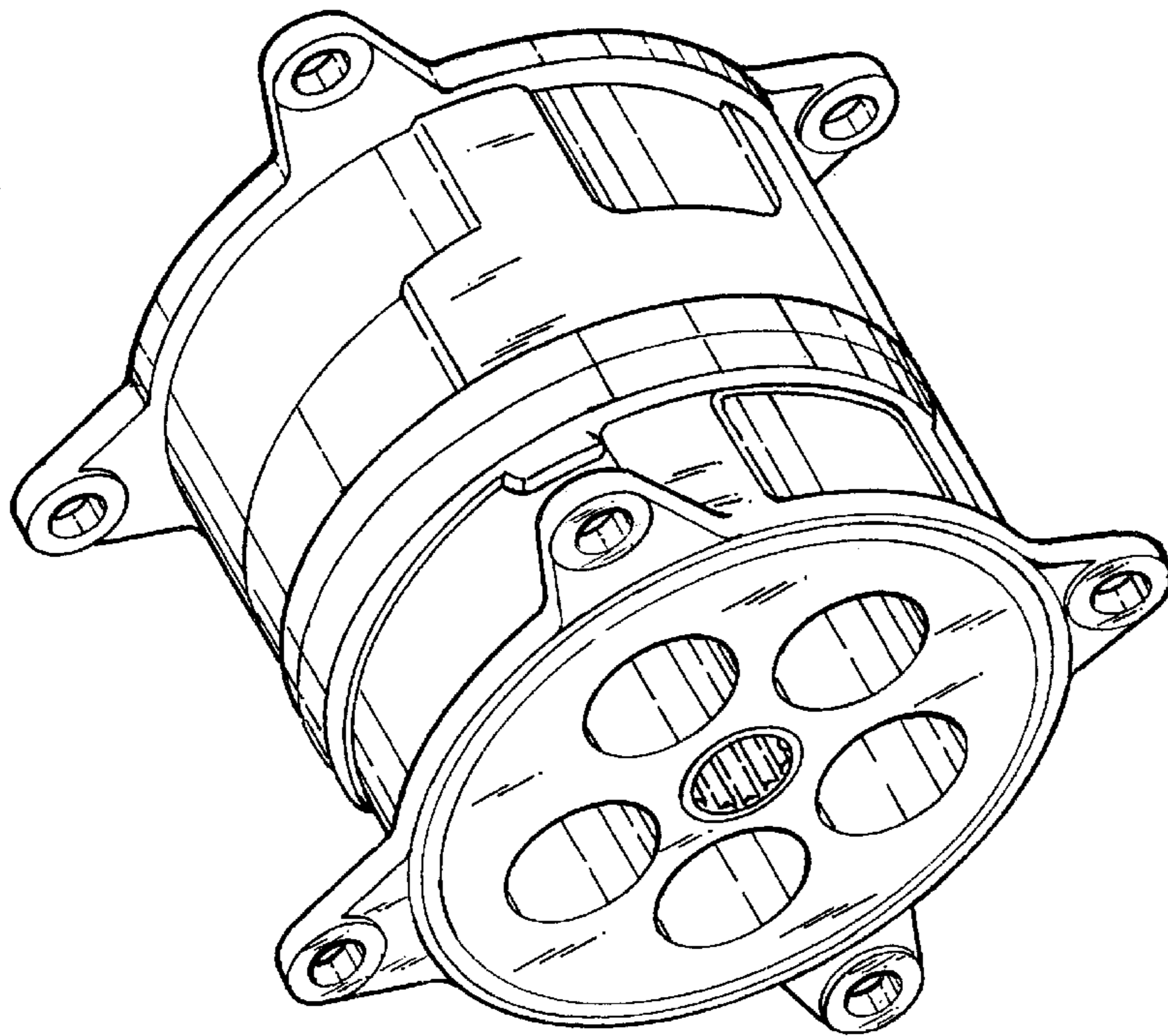


FIG. 1

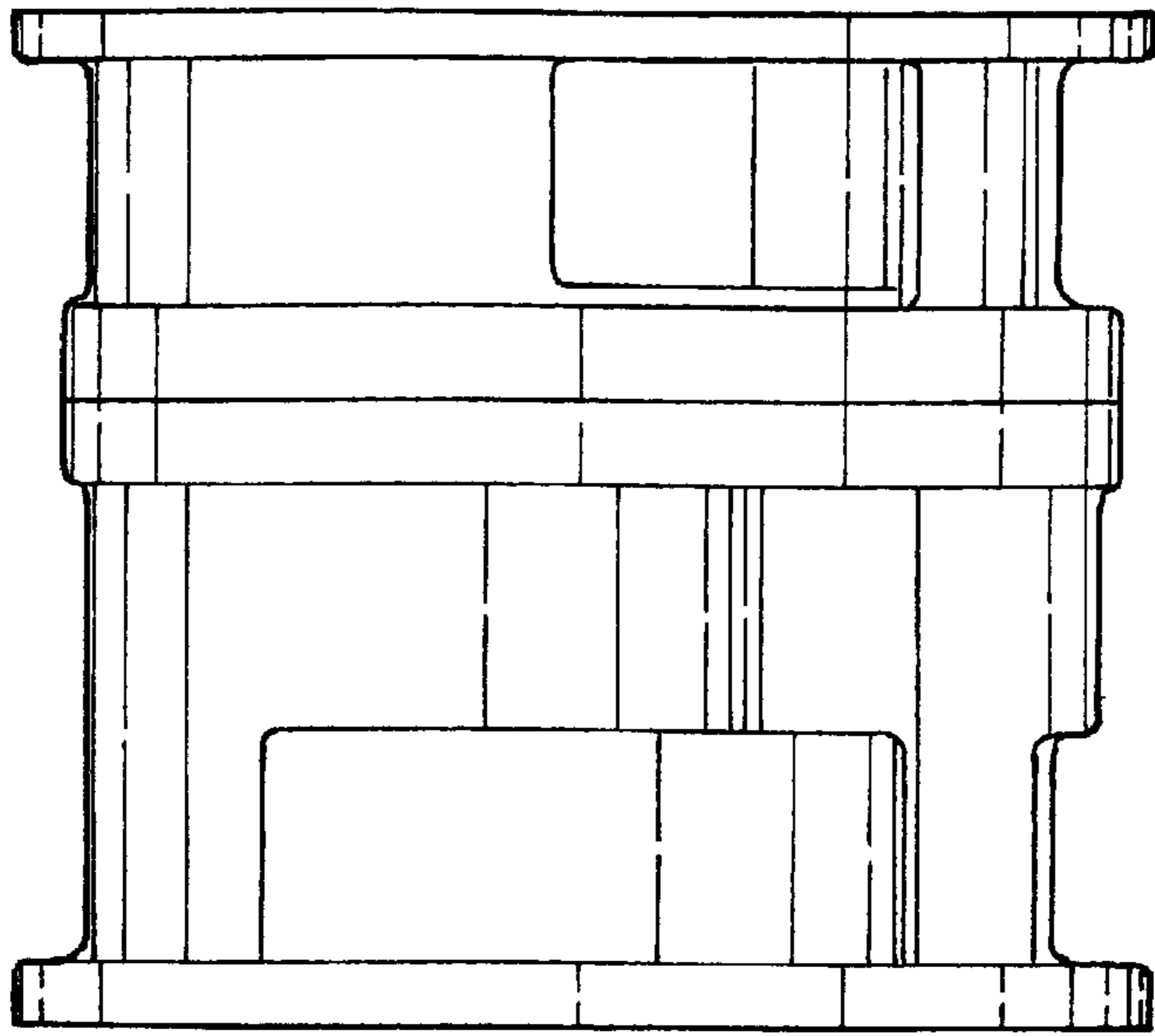


FIG. 2

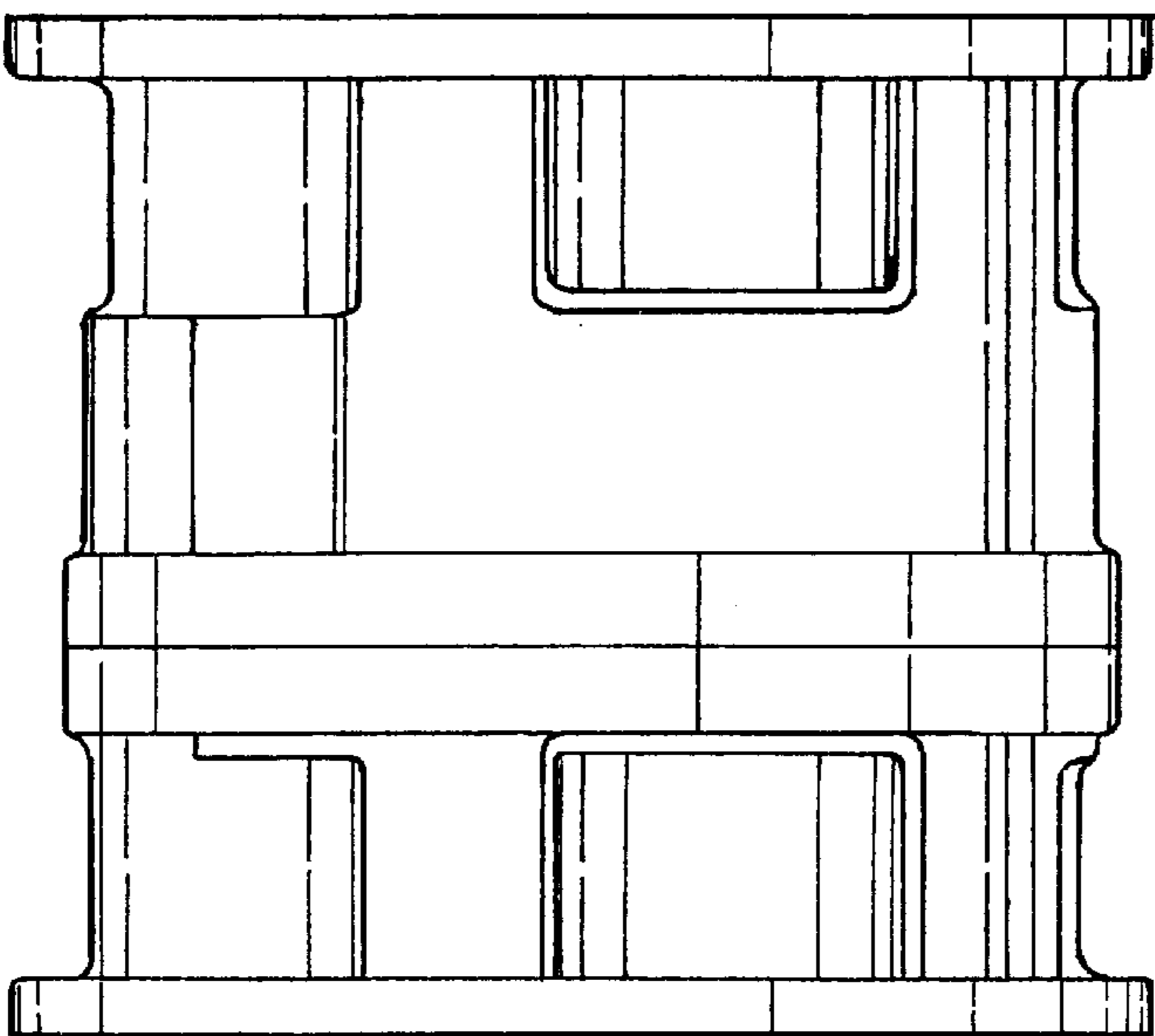


FIG. 3

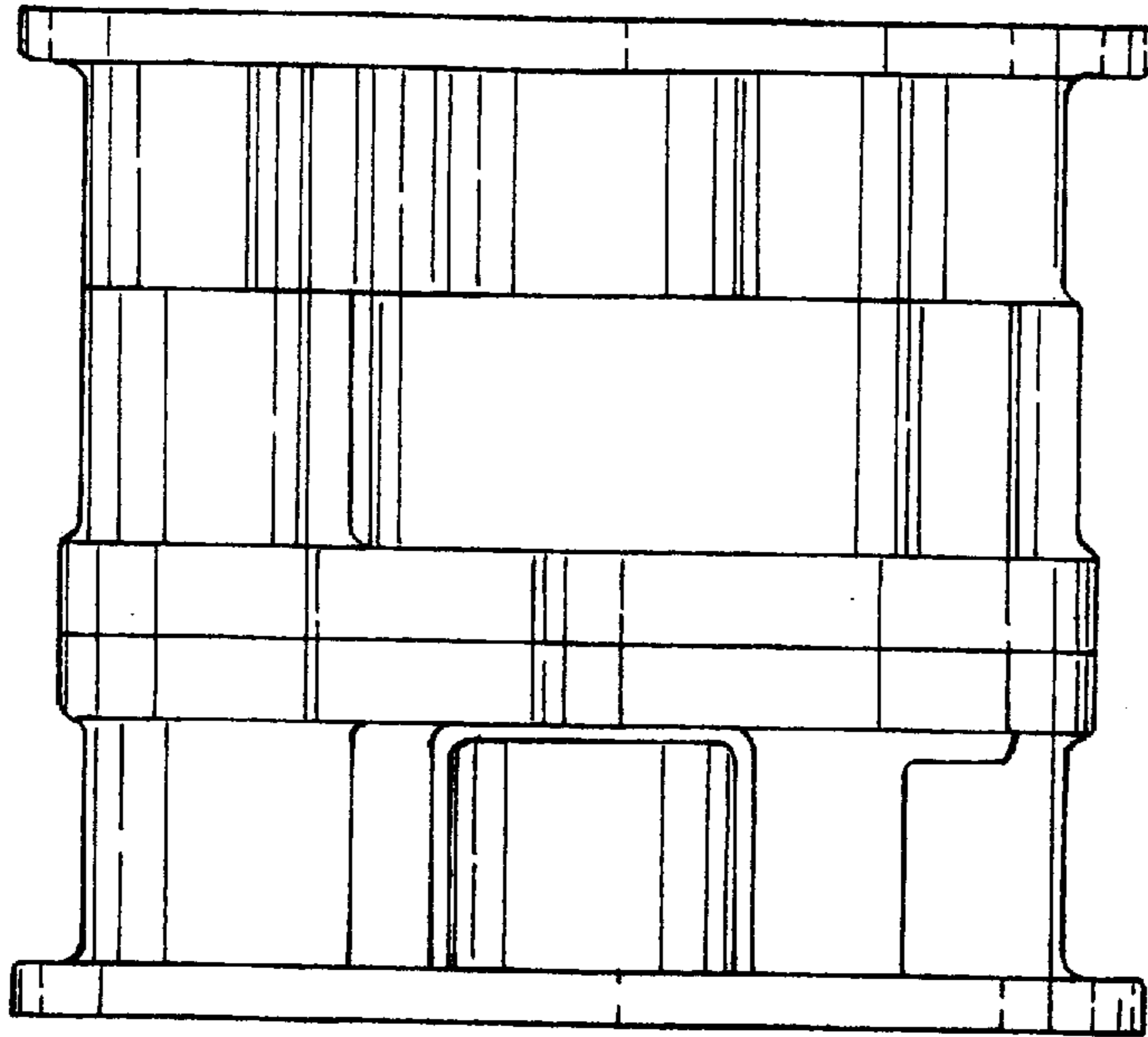


FIG. 5

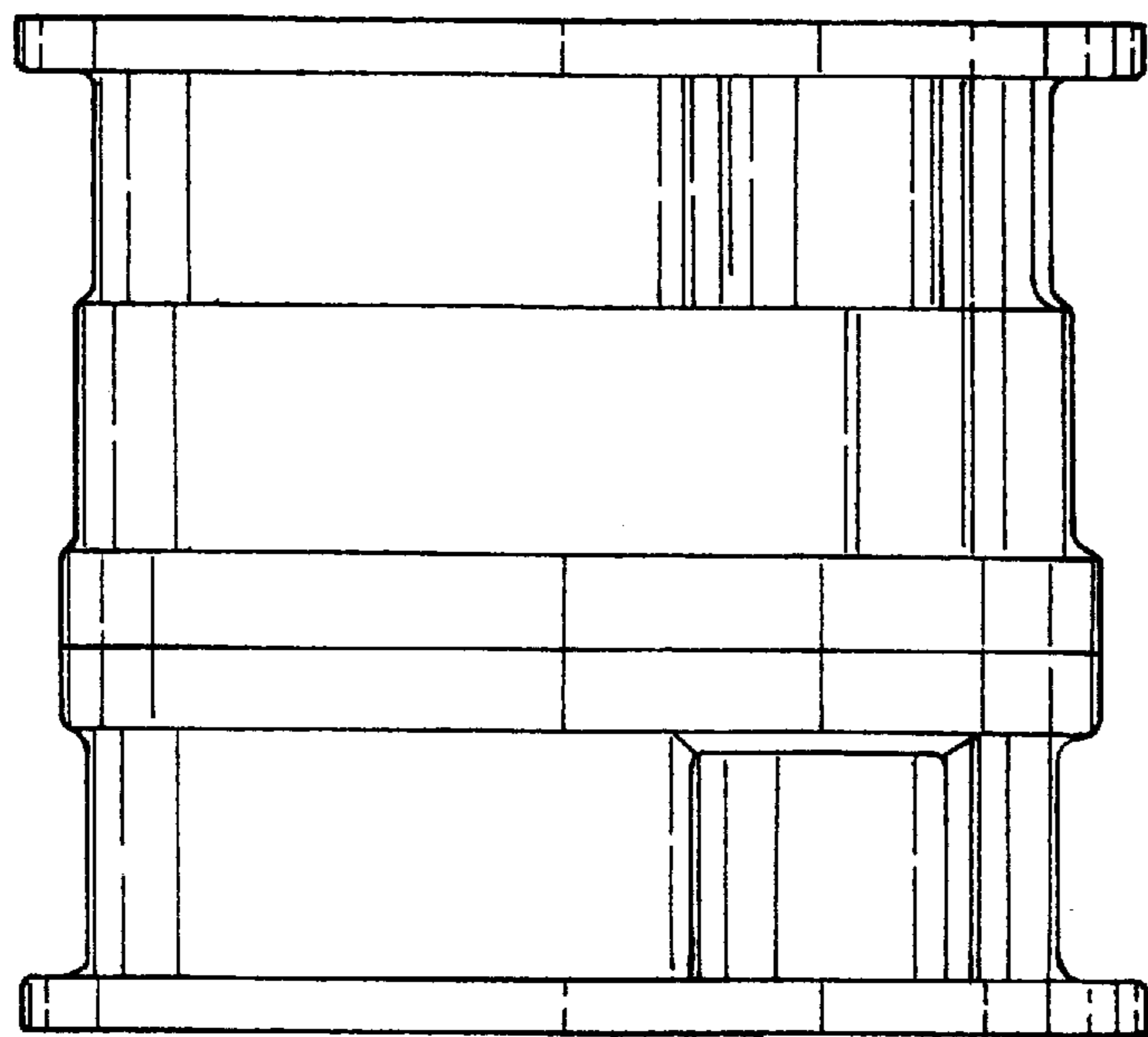


FIG. 4

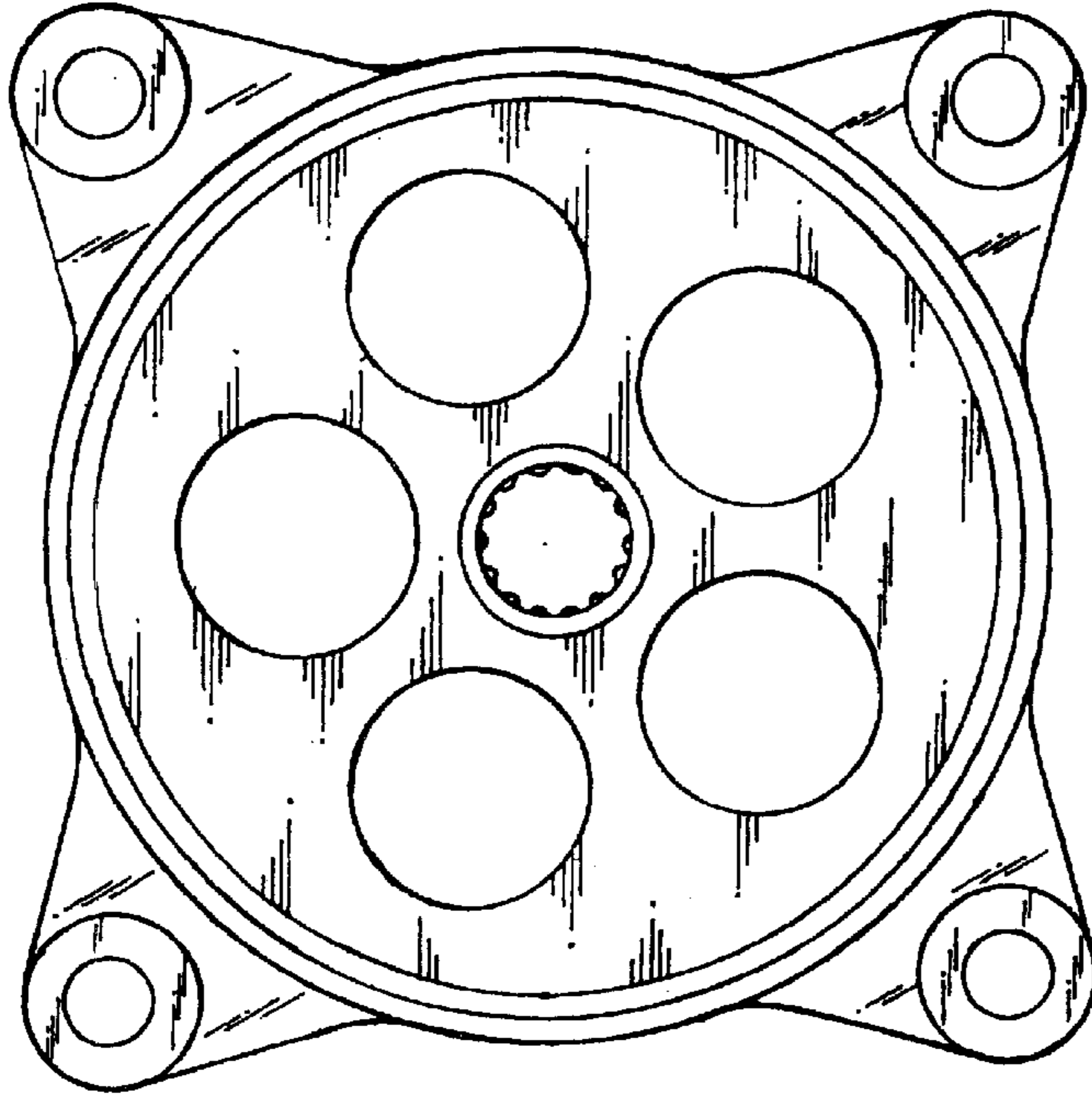


FIG. 7

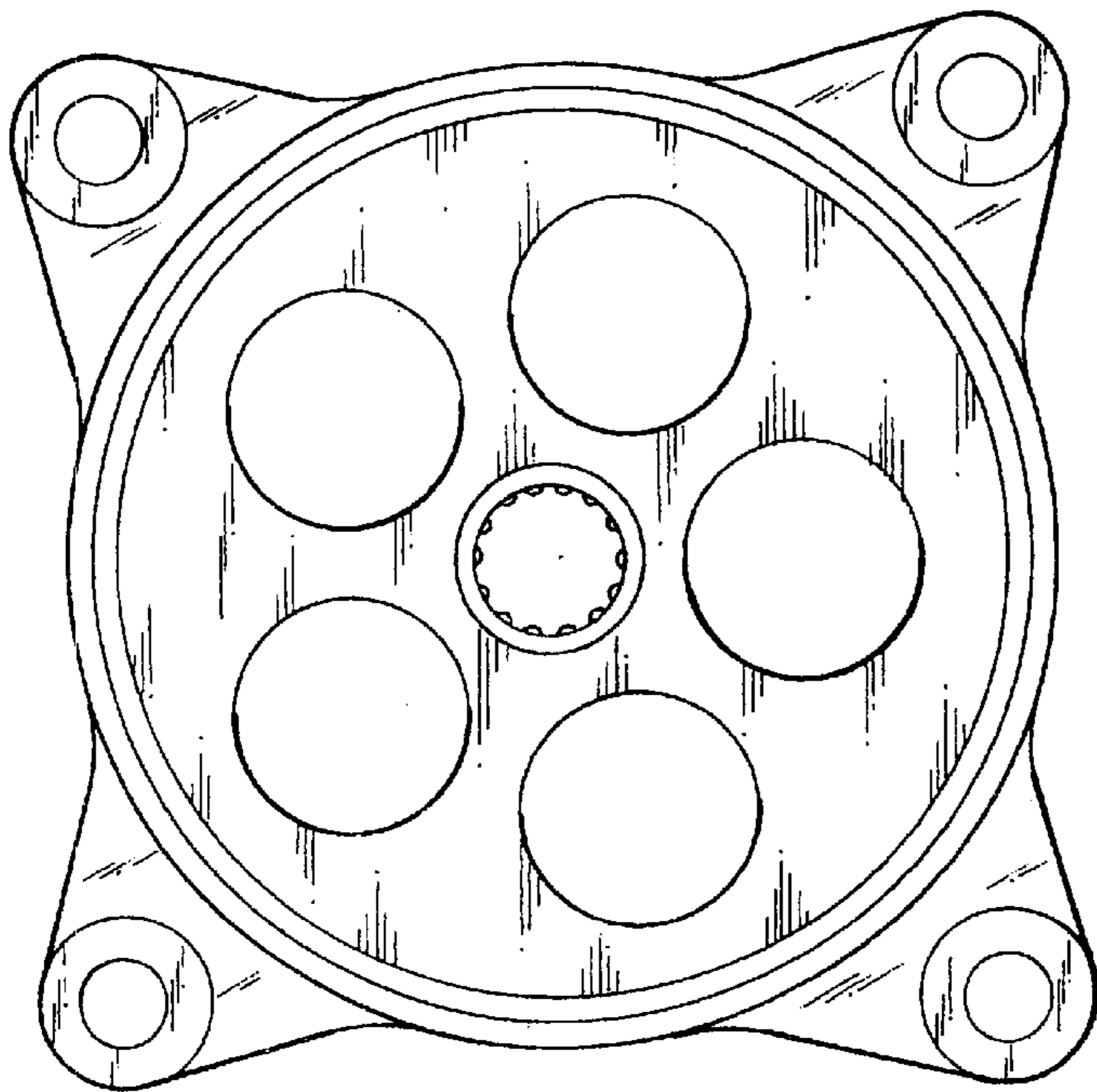


FIG. 6