



US00D541816S

(12) **United States Design Patent**  
**Puls**

(10) **Patent No.:** **US D541,816 S**

(45) **Date of Patent:** **\*\* May 1, 2007**

(54) **FUEL PUMP**

(75) Inventor: **William M. Puls**, Wichita, KS (US)

(73) Assignee: **Great Plains Industries, Inc.**, Wichita, KS (US)

(\*\*) Term: **14 Years**

(21) Appl. No.: **29/248,636**

(22) Filed: **Aug. 24, 2006**

(51) **LOC (8) Cl.** ..... **15-02**

(52) **U.S. Cl.** ..... **D15/7**

(58) **Field of Classification Search** ..... D15/7-9;  
D23/232, 231; 417/359, 415-416, 410.1,  
417/321, 265, 405

See application file for complete search history.

(56) **References Cited**

**U.S. PATENT DOCUMENTS**

D96,964 S	*	9/1935	Frame	.....	D15/7
D308,209 S	*	5/1990	Laqua et al.	.....	D15/7
D308,385 S	*	6/1990	Russold et al.	.....	D15/7
D319,245 S	*	8/1991	Larson	.....	D15/7
D339,810 S		9/1993	Hansen		
D388,439 S	*	12/1997	Cantley et al.	.....	D15/7

D466,523 S	*	12/2002	Saito	.....	D15/9
D467,254 S	*	12/2002	Ullrich	.....	D15/9
D470,864 S	*	2/2003	Shibukawa et al.	.....	D15/7
D479,245 S	*	9/2003	Leu	.....	D15/7
D479,246 S	*	9/2003	Leu	.....	D15/7
D479,247 S	*	9/2003	Ullrich	.....	D15/9
D488,820 S	*	4/2004	Rozek	.....	D15/7
D496,670 S	*	9/2004	Ohnishi	.....	D15/7

\* cited by examiner

*Primary Examiner*—Ralf Seifert

(74) *Attorney, Agent, or Firm*—Lawrence E. Evans, Esq.

(57) **CLAIM**

The ornamental design for a fuel pump, as shown and described.

**DESCRIPTION**

FIG. 1 is a perspective view of a fuel pump showing my new design.

FIG. 2 is a left elevation view thereof

FIG. 3 is a right elevation view thereof.

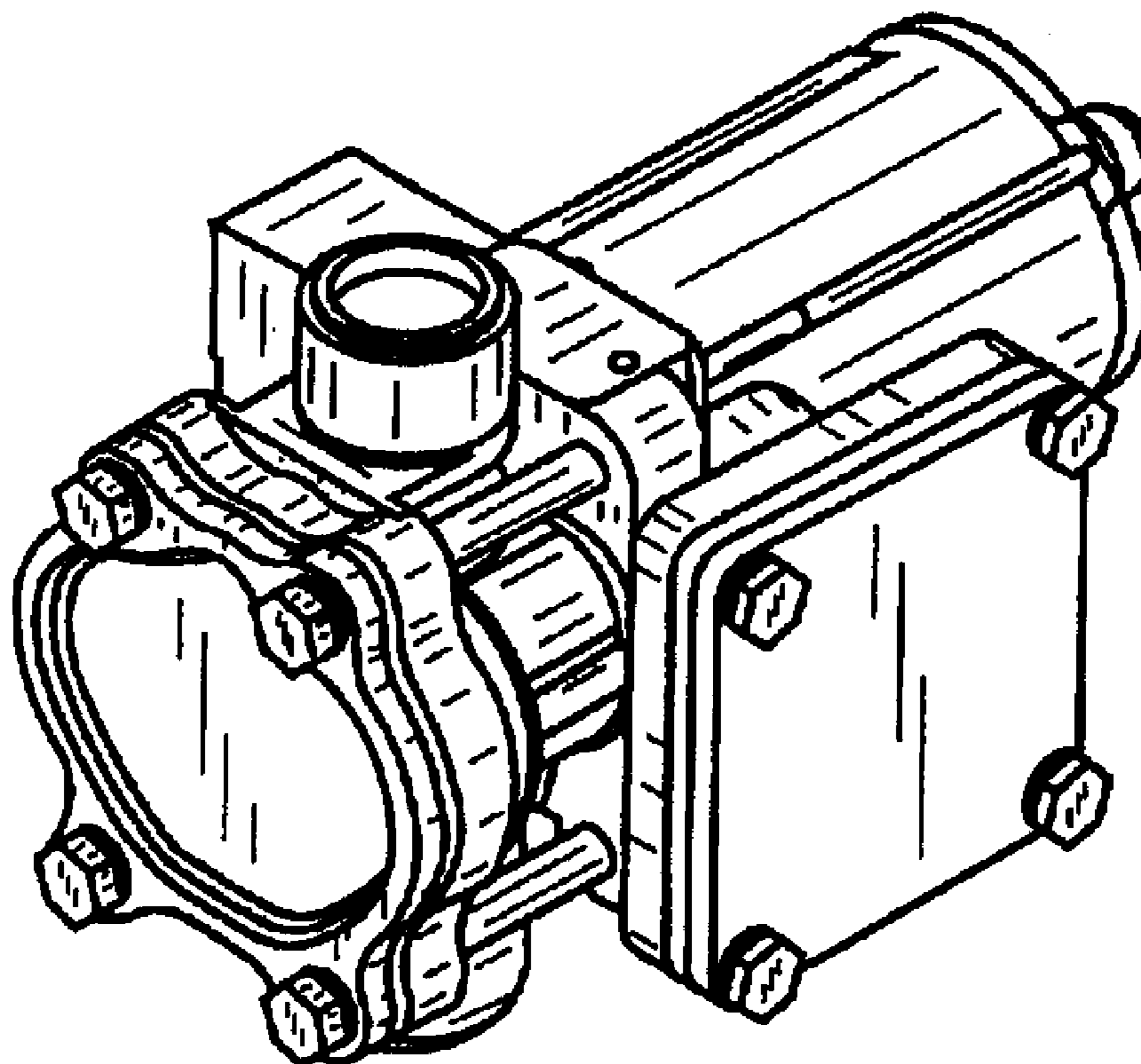
FIG. 4 is a rear elevation view thereof

FIG. 5 is a right elevational view thereof.

FIG. 6 is a front elevational view thereof; and,

FIG. 7 is a bottom plan view thereof.

**1 Claim, 1 Drawing Sheet**



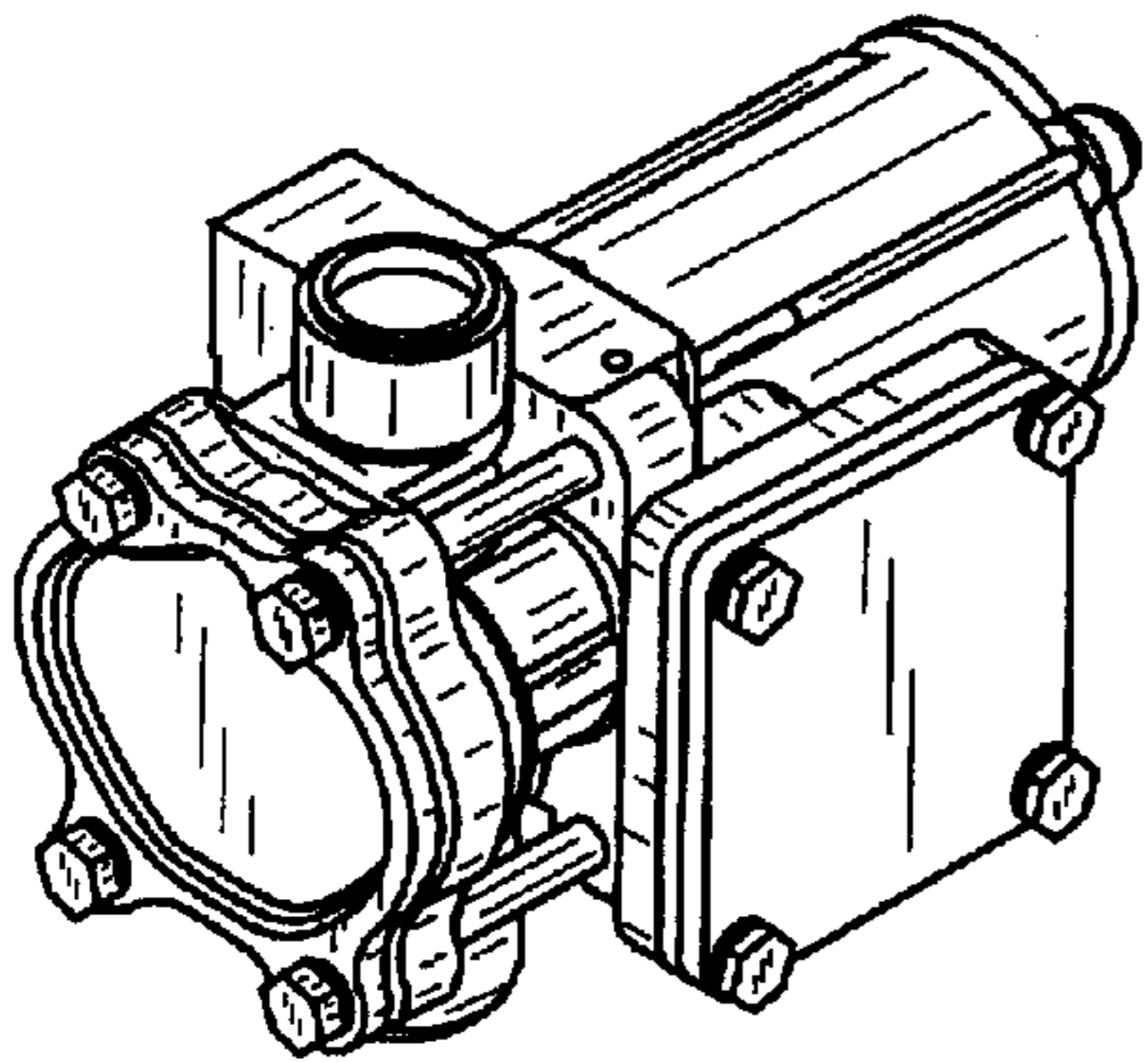


FIG. 1

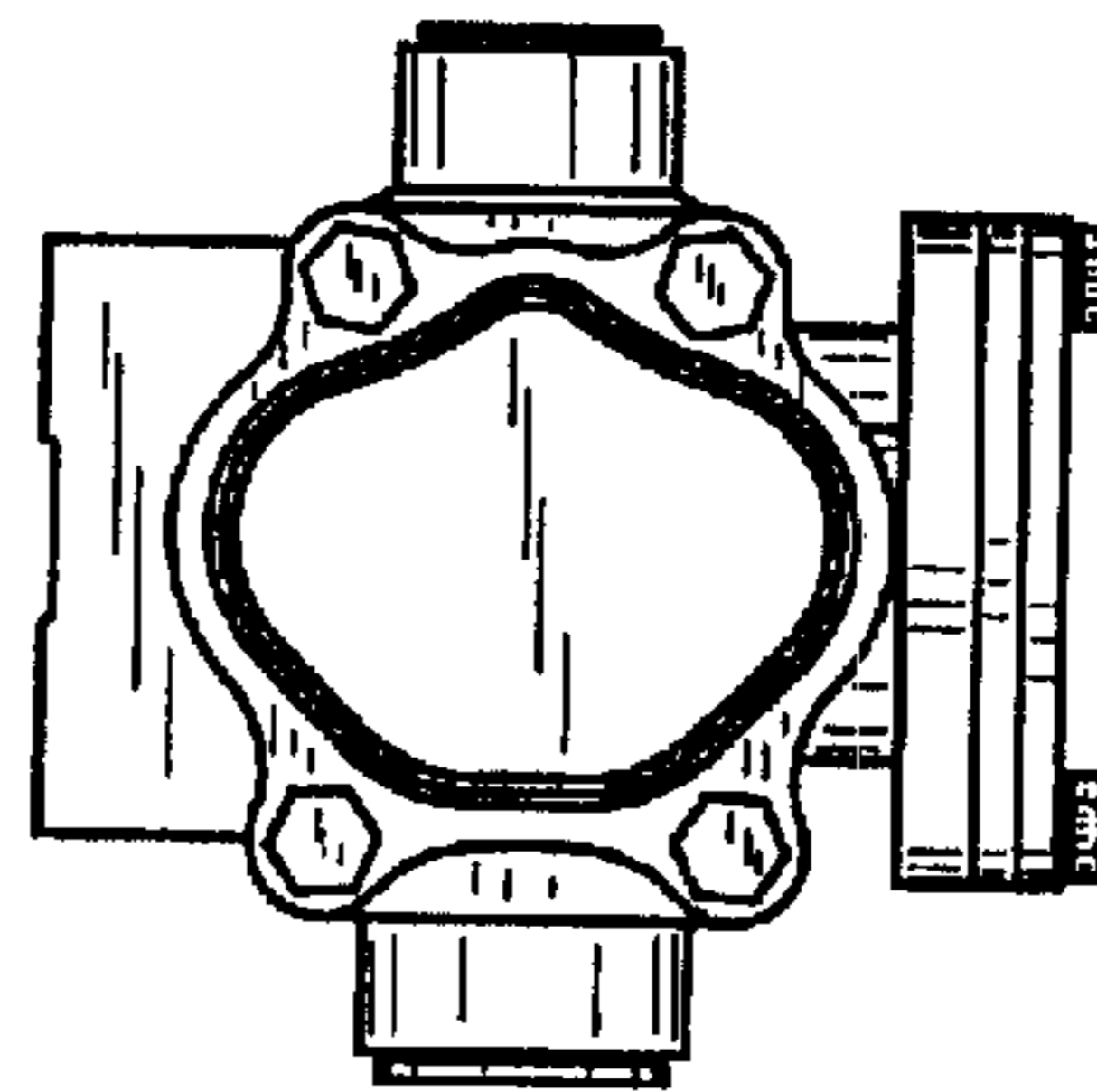


FIG. 2

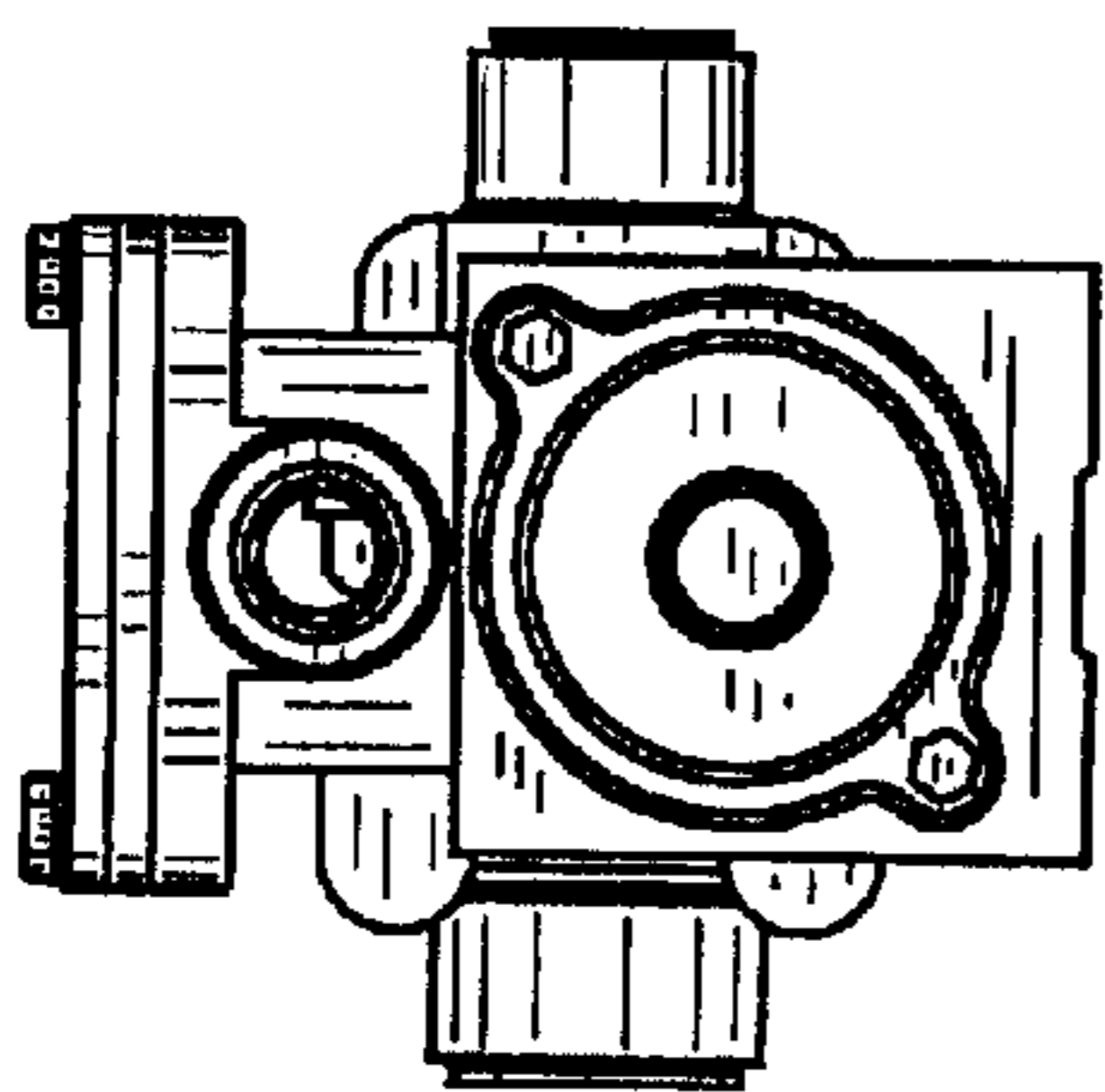


FIG. 3

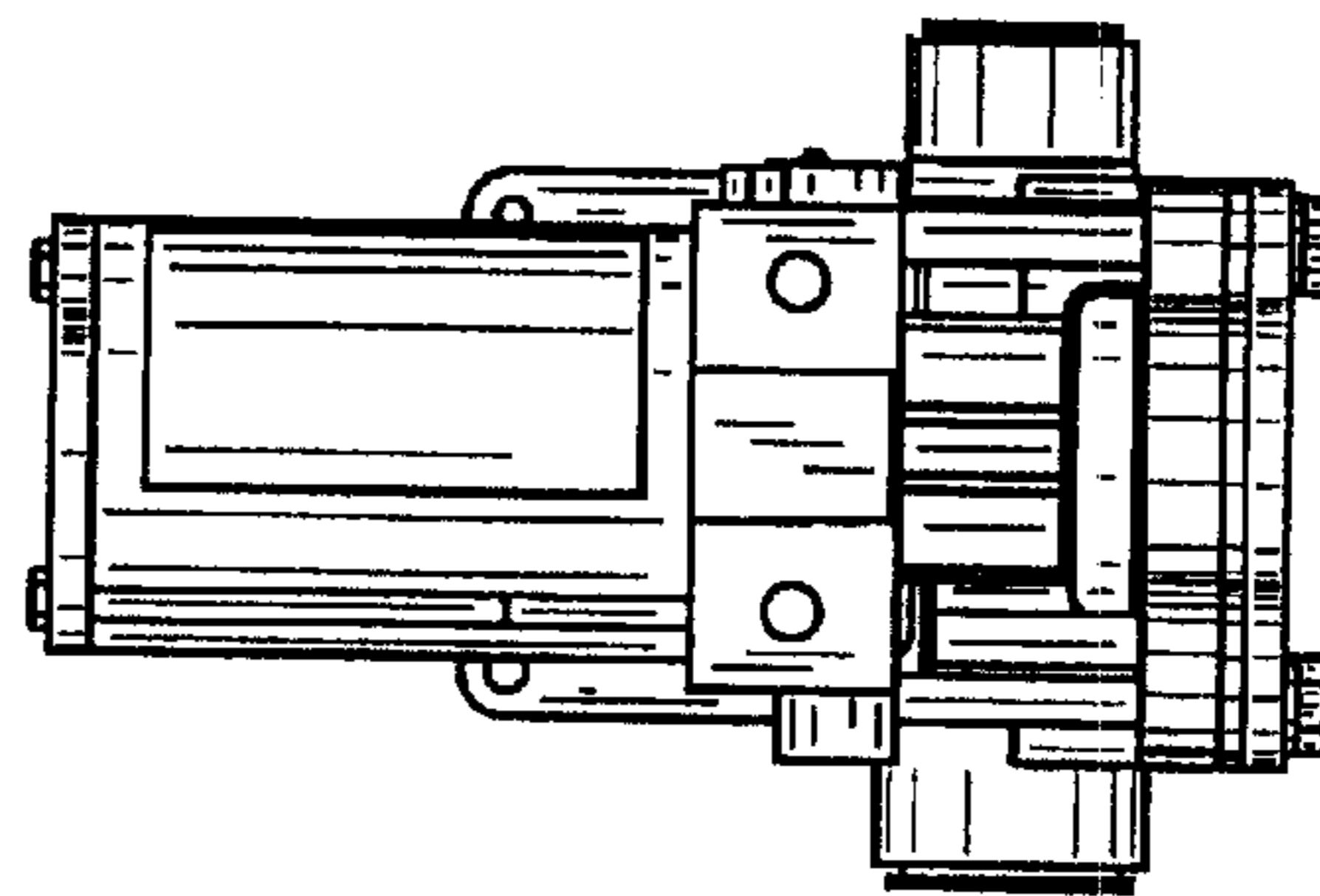


FIG. 4

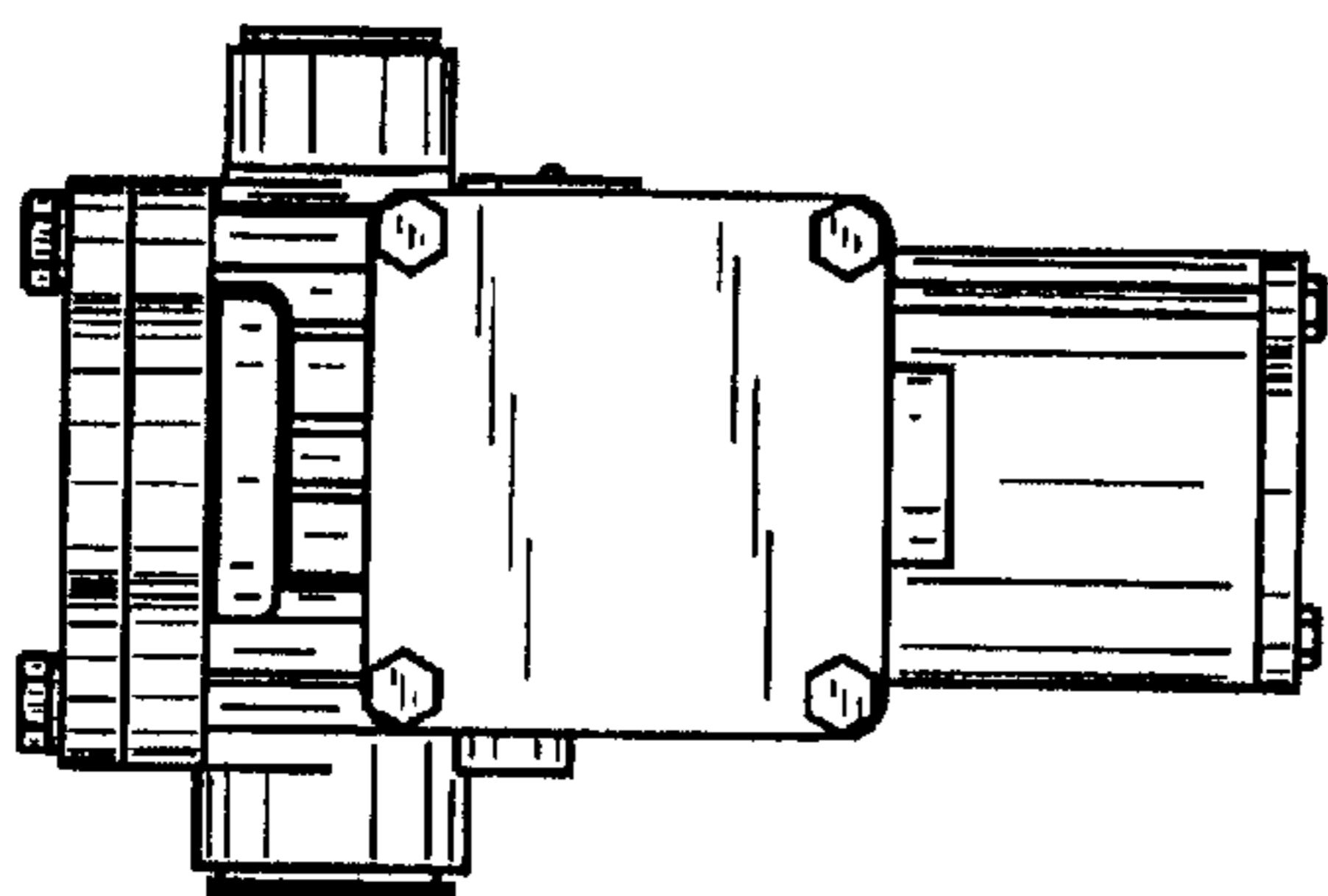


FIG. 5

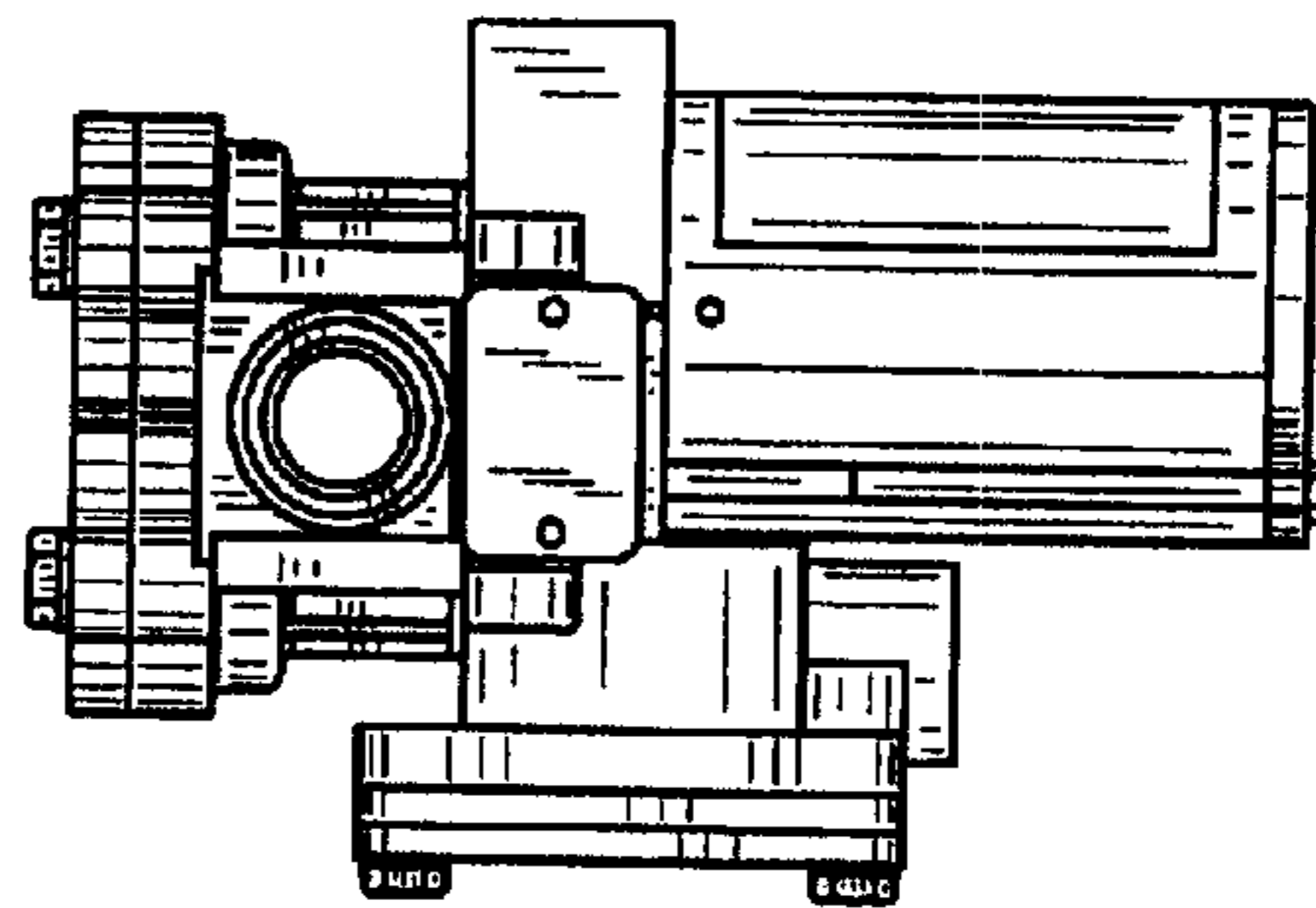


FIG. 6

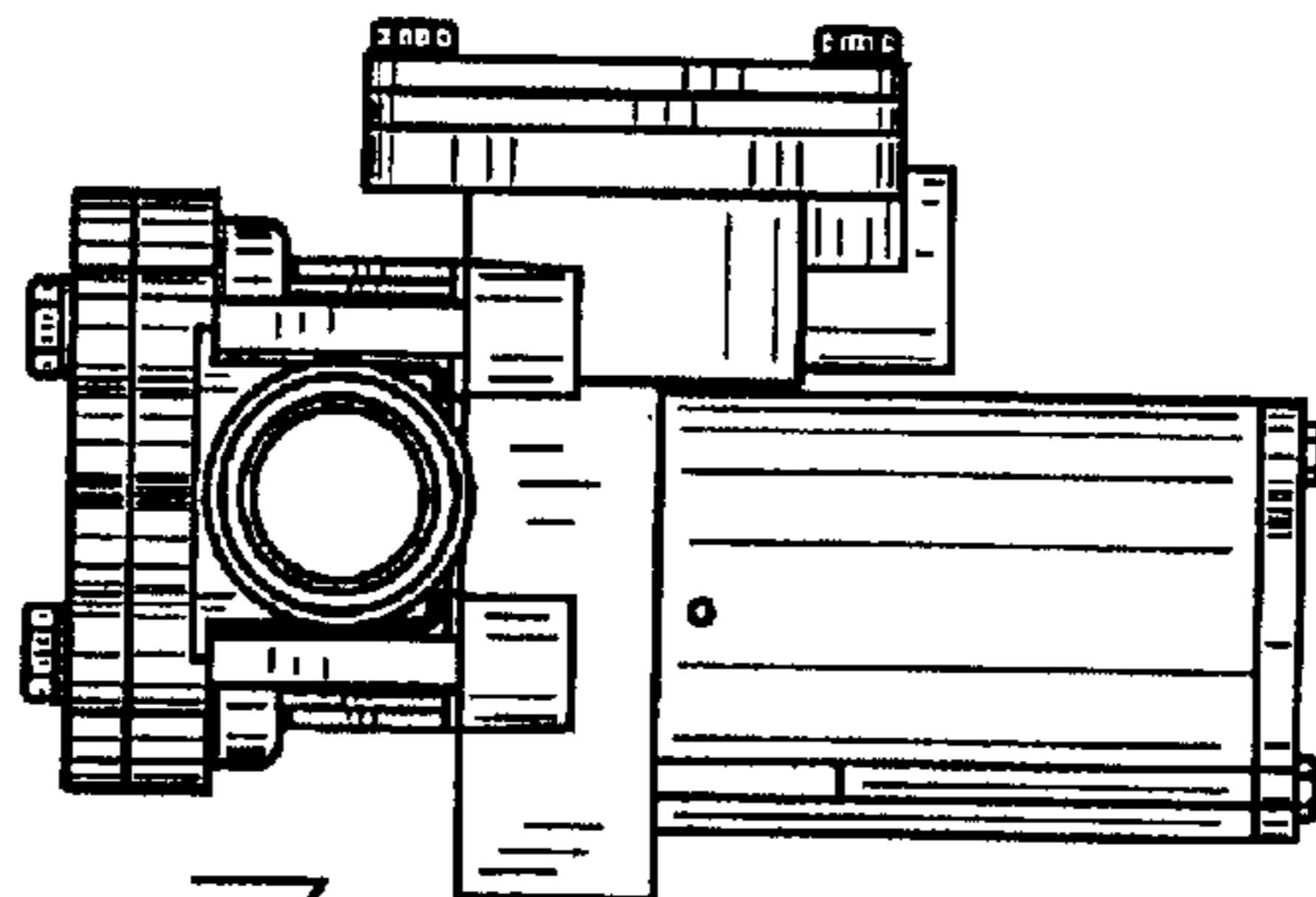


FIG. 7