

US00D541814S

(12) **United States Design Patent**
Lacey

(10) **Patent No.:** **US D541,814 S**

(45) **Date of Patent:** **** May 1, 2007**

(54) **PUMP**

D377,799 S * 2/1997 Kruzel et al. D15/7
6,623,245 B1 * 9/2003 Meza et al. 417/44.1
D489,732 S * 5/2004 Kishimoto D15/7

(75) Inventor: **Christopher George Lacey**, Upwey
(AU)

OTHER PUBLICATIONS

(73) Assignee: **Davey Products PTY Ltd.**, Scorsby
(AU)

Davey Products Pty Ltd. Brochure, "Hurricane: The New High Pressure Water Force," ©1999.

(**) Term: **14 Years**

* cited by examiner

(21) Appl. No.: **29/210,609**

Primary Examiner—Ralf Seifert

(22) Filed: **Aug. 4, 2004**

(74) *Attorney, Agent, or Firm*—Finnegan, Henderson, Farabow, Garrett & Dunner LLP

(30) **Foreign Application Priority Data**

(57) **CLAIM**

Feb. 20, 2004 (AU) 437/04

The ornamental design for a pump, substantially as shown and described.

(51) **LOC (8) Cl.** **15-02**

DESCRIPTION

(52) **U.S. Cl.** **D15/7**

(58) **Field of Classification Search** D15/7-9;
417/321, 410, 413.1, 415, 423.3, 486, 521,
417/534; 415/148

FIG. 1 is an isometric view of a pump showing my new design;

See application file for complete search history.

FIG. 2 is a front view thereof;

FIG. 3 is a rear view thereof;

FIG. 4 is a side view thereof;

FIG. 5 is a plan view thereof; and,

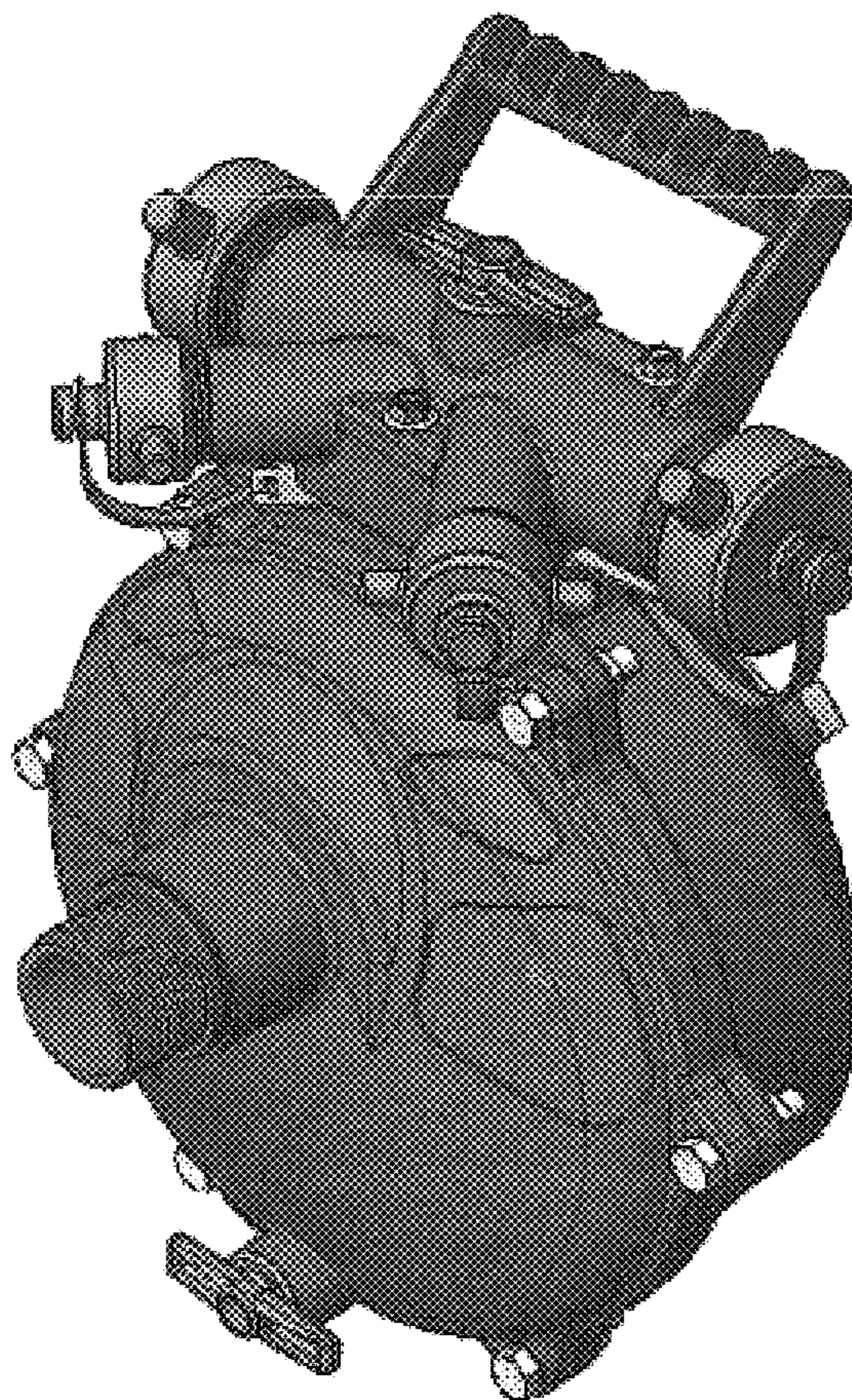
FIG. 6 is an inverted plan view.

(56) **References Cited**

U.S. PATENT DOCUMENTS

D237,011 S * 9/1975 Stroberg D15/7

1 Claim, 2 Drawing Sheets



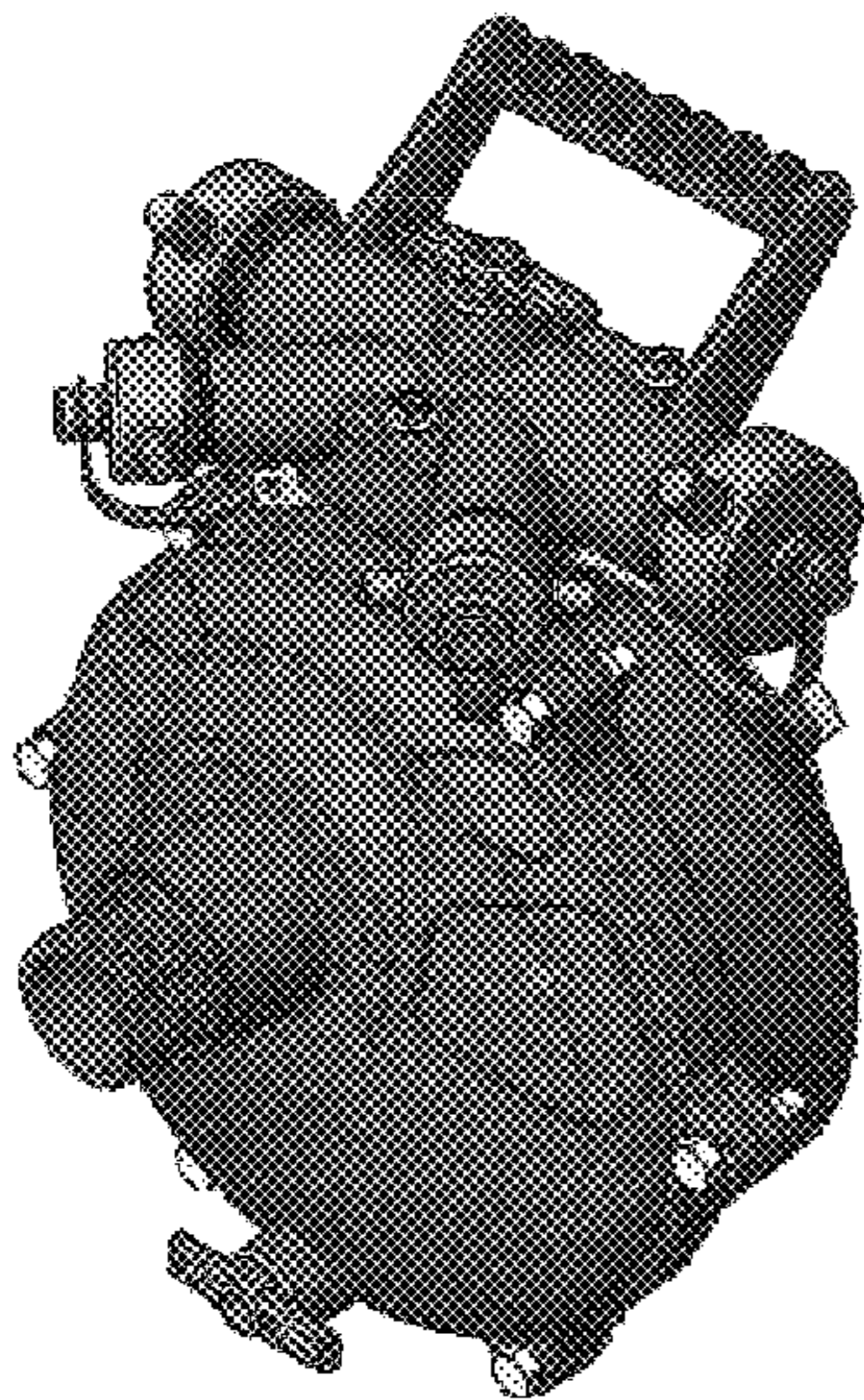


FIG 1

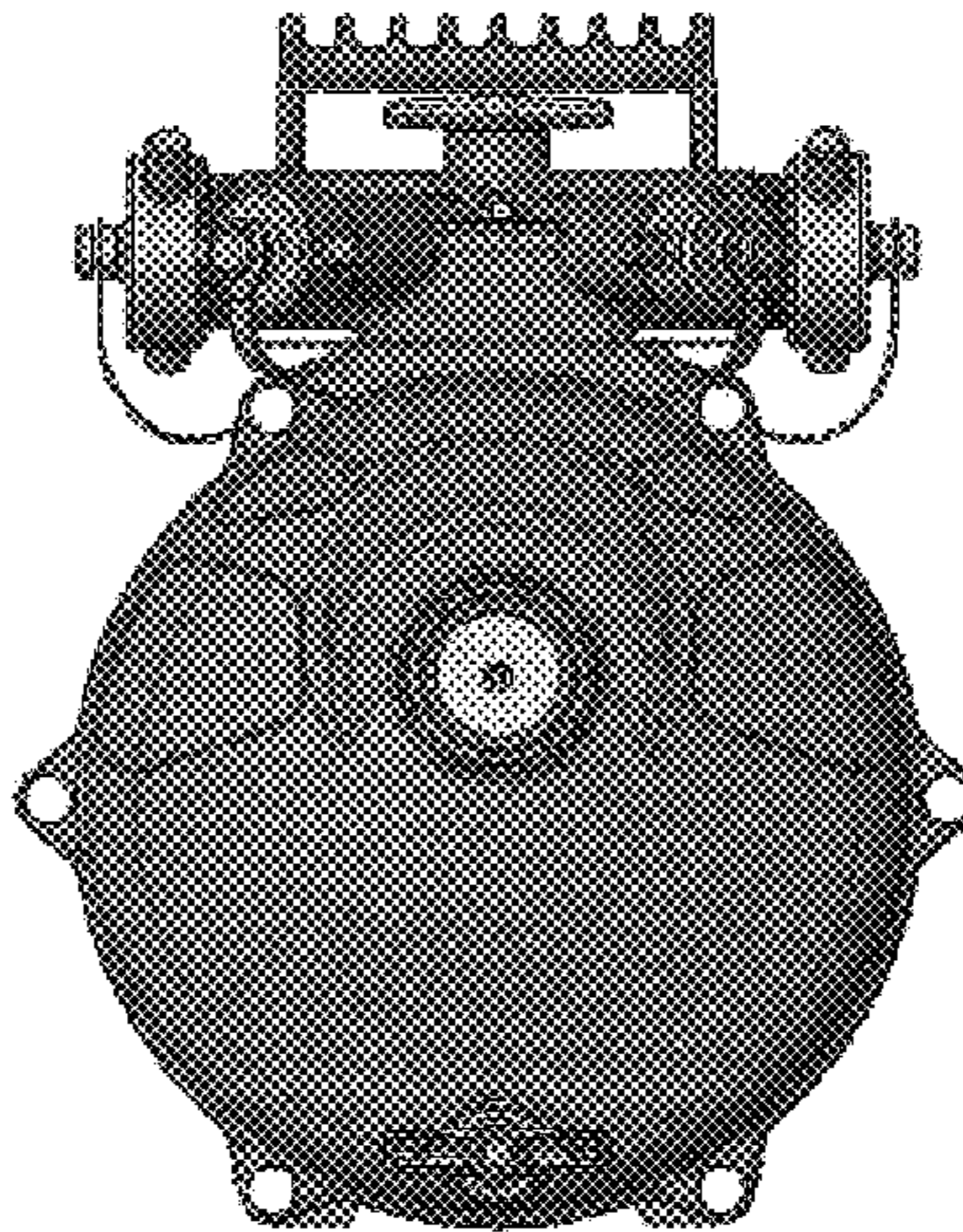


FIG 2

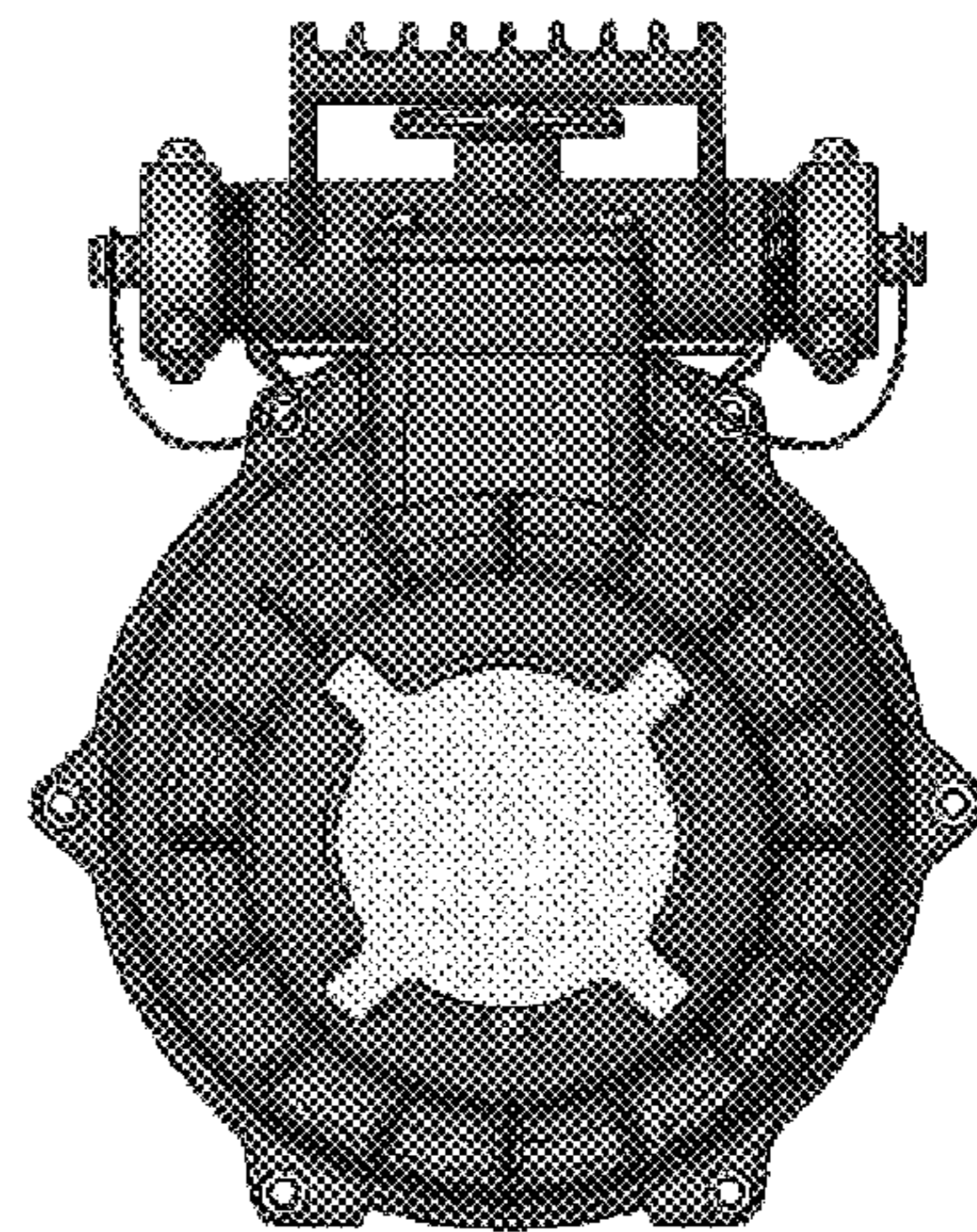


FIG 3

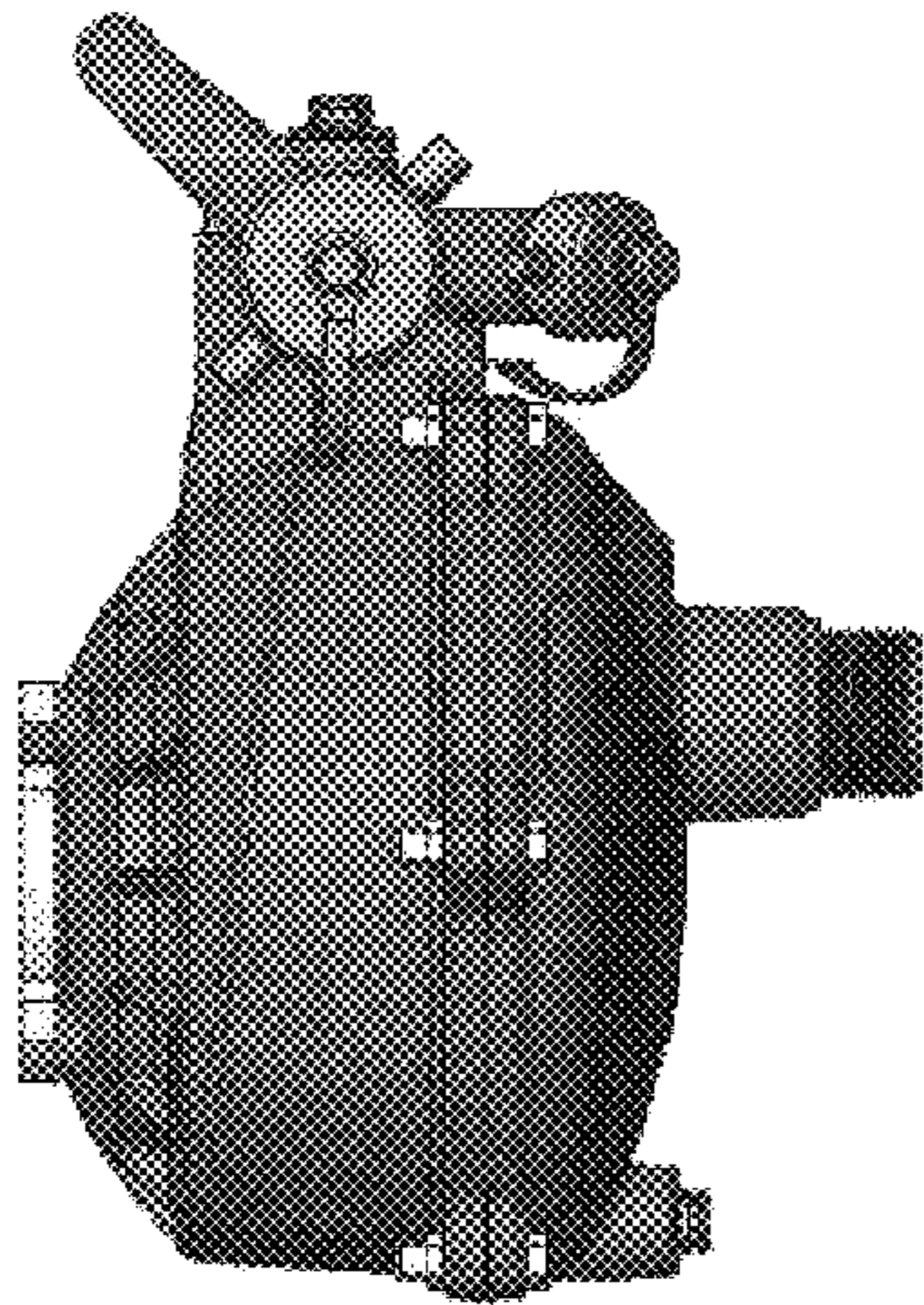


FIG 4

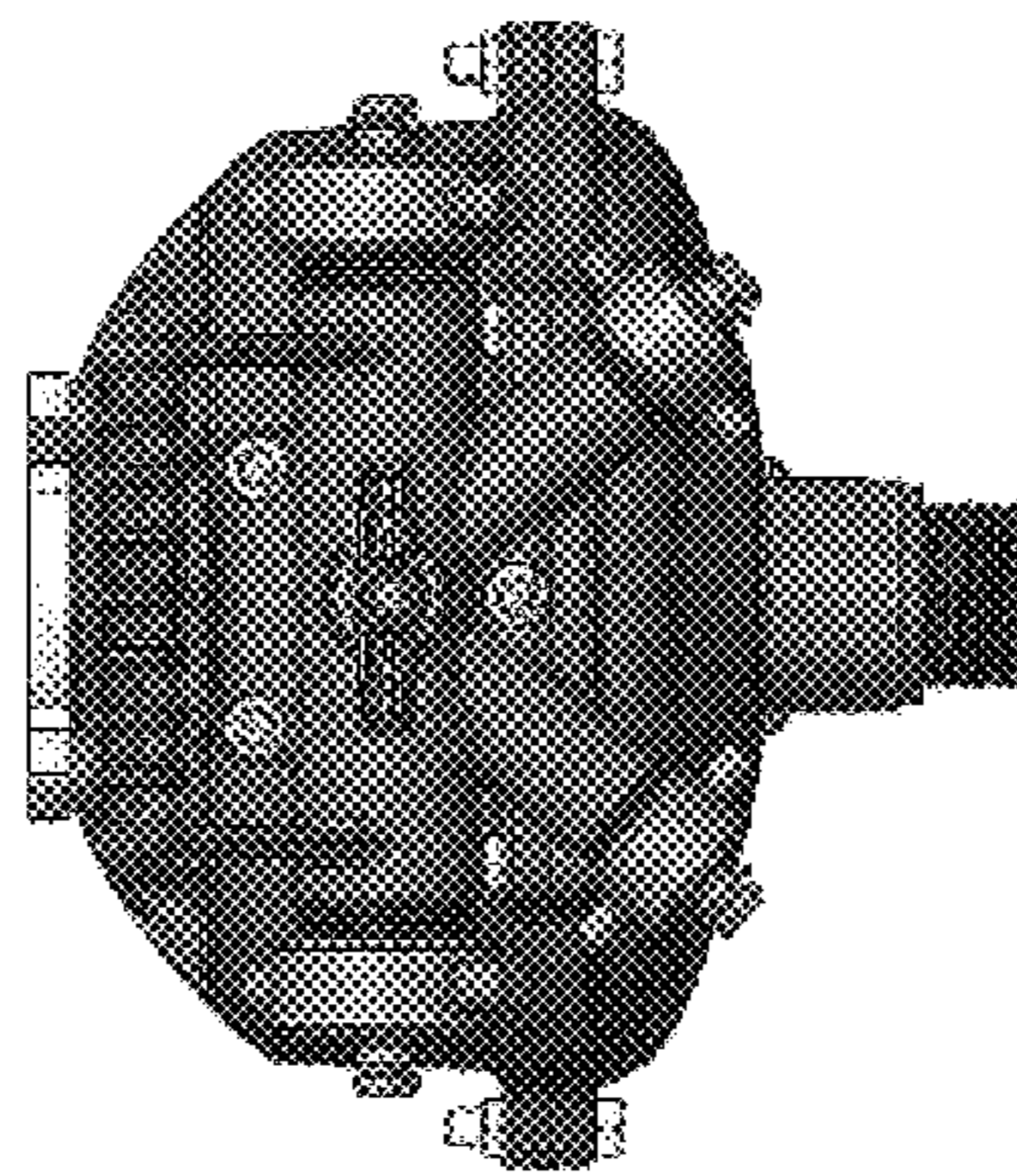


FIG 5

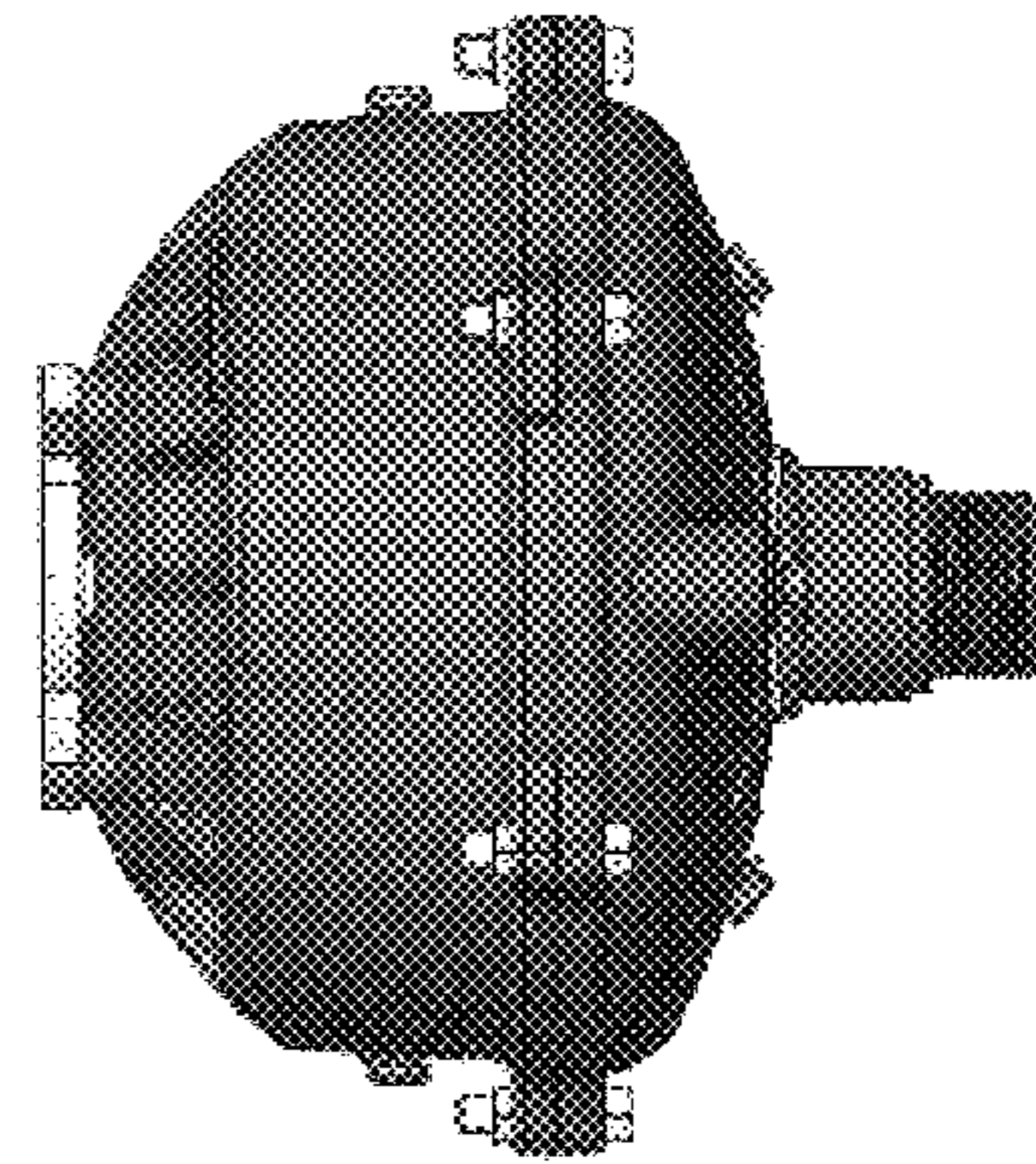


FIG 6