

US00D541811S

(12) **United States Design Patent** (10) **Patent No.:** **US D541,811 S**
Park (45) **Date of Patent:** **** May 1, 2007**

(54) **A/V RECEIVER**

D529,879 S * 10/2006 Park et al. D14/125

(75) Inventor: **Jung-Hyun Park**, Seoul (KR)

(73) Assignee: **Samsung Electronics Co., Ltd.**,
Kyunggi-do (KR)

(**) Term: **14 Years**

(21) Appl. No.: **29/241,720**

(22) Filed: **Oct. 31, 2005**

(51) **LOC (8) Cl.** **14-03**

(52) **U.S. Cl.** **D14/496**; D14/188; D14/265

(58) **Field of Classification Search** D14/496,
D14/188, 137, 138, 168, 169, 265; 340/825.25;
455/3.01-3.06, 346, 151.1, 151.2; 341/176,
341/173; 345/905

See application file for complete search history.

(56) **References Cited**

U.S. PATENT DOCUMENTS

D327,688	S	*	7/1992	Ito et al.	D14/188
D328,747	S	*	8/1992	Ito et al.	D14/188
5,517,345	A	*	5/1996	Joaille	398/112
5,533,129	A	*	7/1996	Gefvert	381/300
5,812,293	A	*	9/1998	Yen	398/115
D417,871	S	*	12/1999	Hisatsune	D14/188
6,483,428	B1	*	11/2002	Fish et al.	340/425.5
6,801,185	B2	*	10/2004	Salley	345/102
D505,930	S	*	6/2005	Oikawa	D14/136
D505,931	S	*	6/2005	Oikawa	D14/136

OTHER PUBLICATIONS

U.S. Appl. No. 29/241,752, Applicant: Jung-Hyun Park, filed Oct. 31, 2005 entitled Setop Box.

U.S. Appl. No. 29/241,721, Applicants: Yun-Jin Park, et al., filed Oct. 31, 2005 entitled Setop Box.

U.S. Appl. No. 29/241,753, Applicants: Yun-Jin Park, et al., filed Oct. 31, 2005 entitled Setop Box.

U.S. Appl. No. 29/236,118, Applicants: Sang-Sung Woo, et al., filed Aug. 11, 2005 entitled Setop Box.

* cited by examiner

Primary Examiner—Prabhakar Deshmukh

(74) *Attorney, Agent, or Firm*—Flynn, Thiel, Boutell & Tanis, P.C.

(57) **CLAIM**

The ornamental design for a A/V receiver, as shown and deccribed.

DESCRIPTION

FIG. 1 is a top front perspective view of a A/V receiver showing my new design;

FIG. 2 is a front elevational view thereof;

FIG. 3 is a rear elevational view thereof;

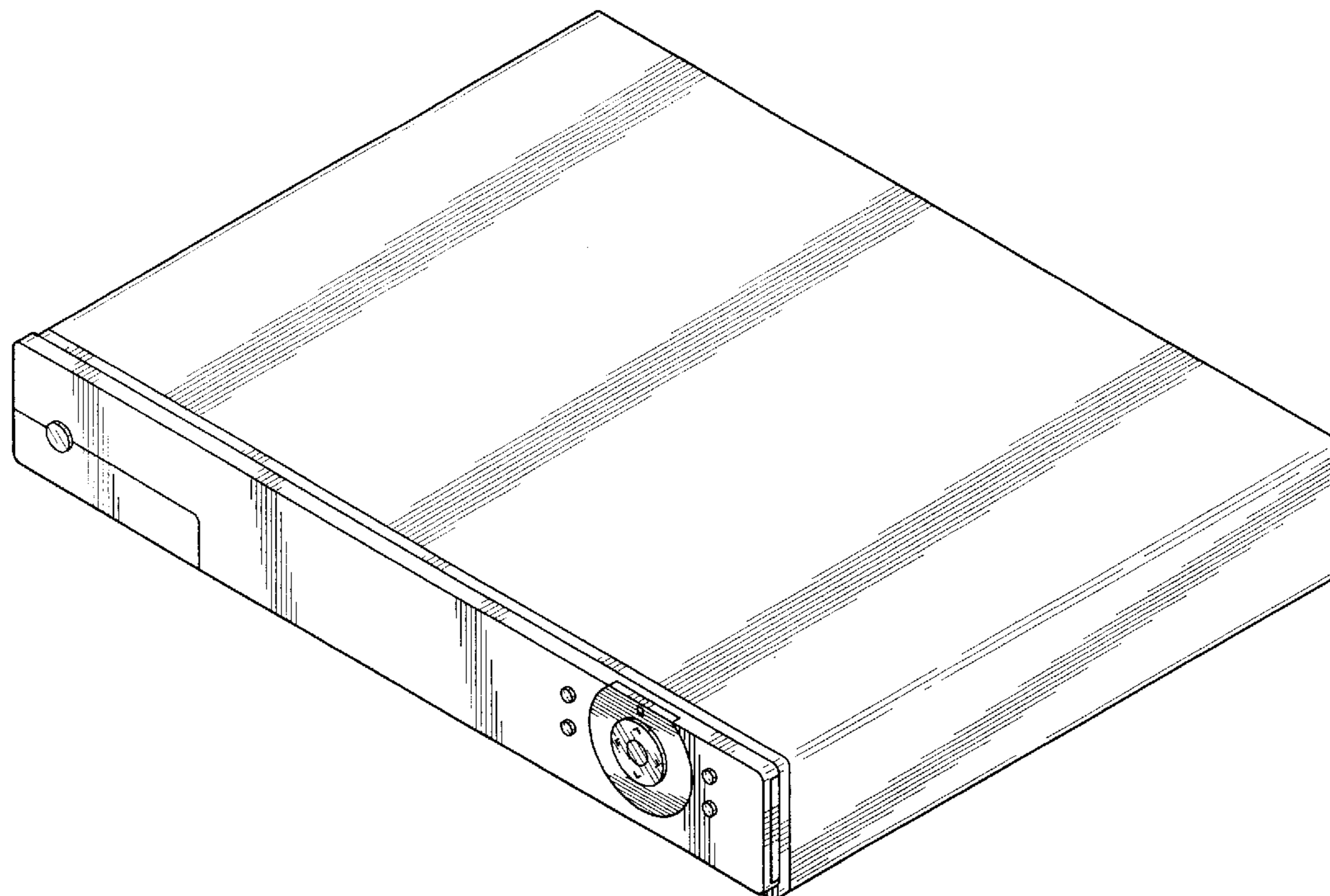
FIG. 4 is a left side elevational view thereof;

FIG. 5 is a right side elevational view thereof;

FIG. 6 is a top plan view thereof; and,

FIG. 7 is a bottom plan view.

1 Claim, 4 Drawing Sheets



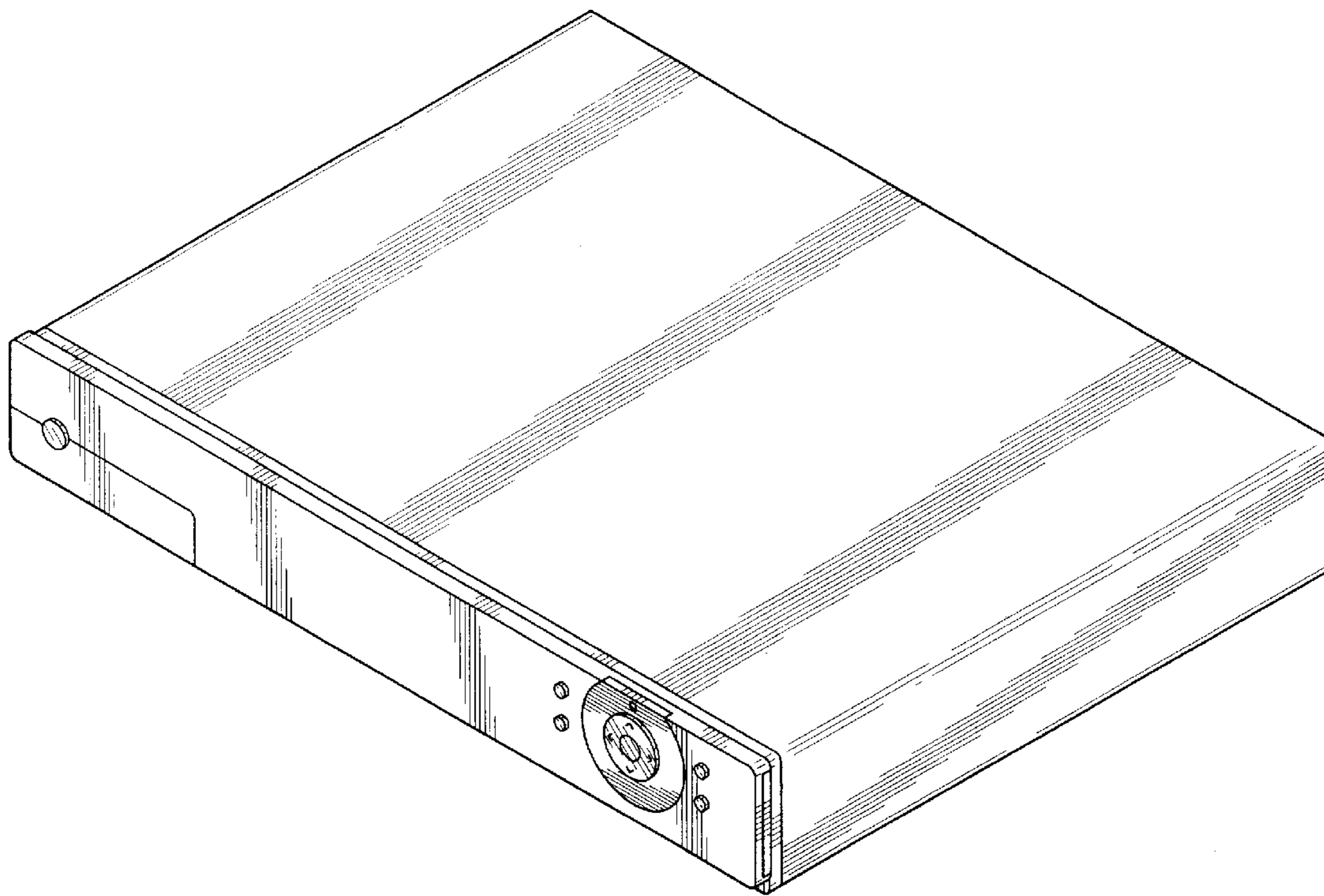


FIG. 1

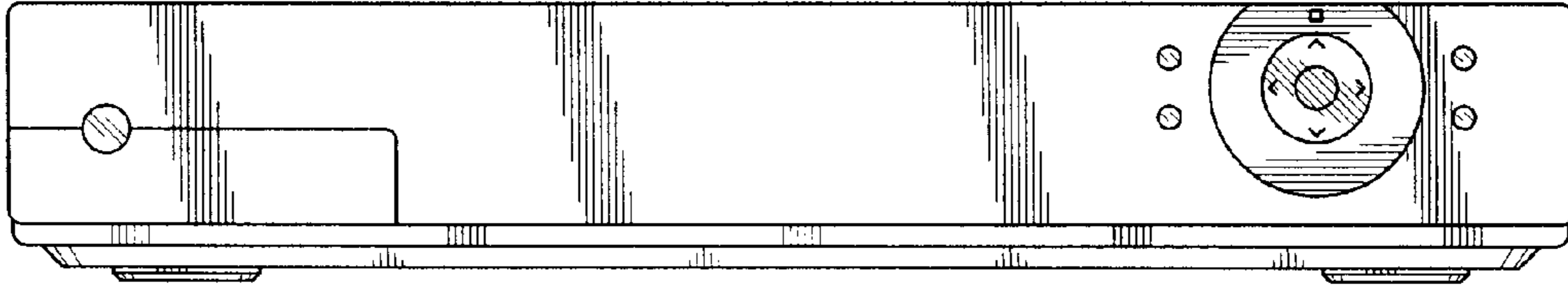


FIG. 2

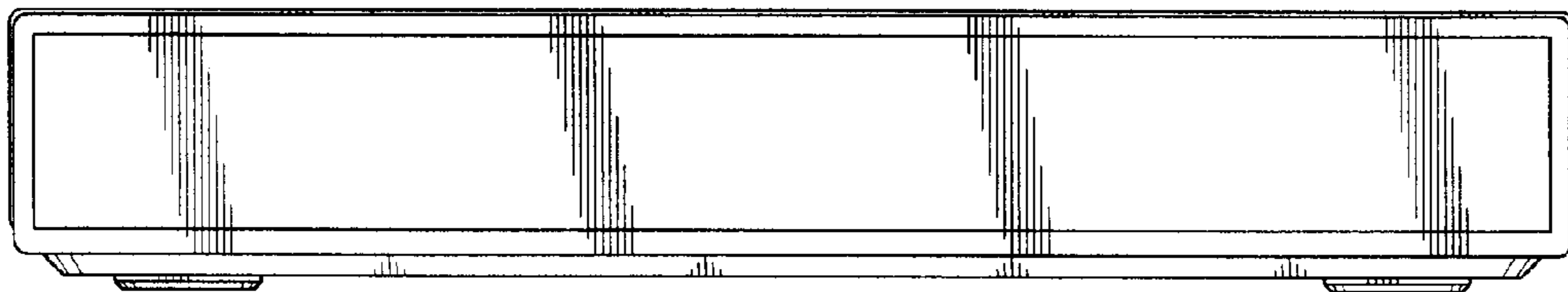


FIG. 3

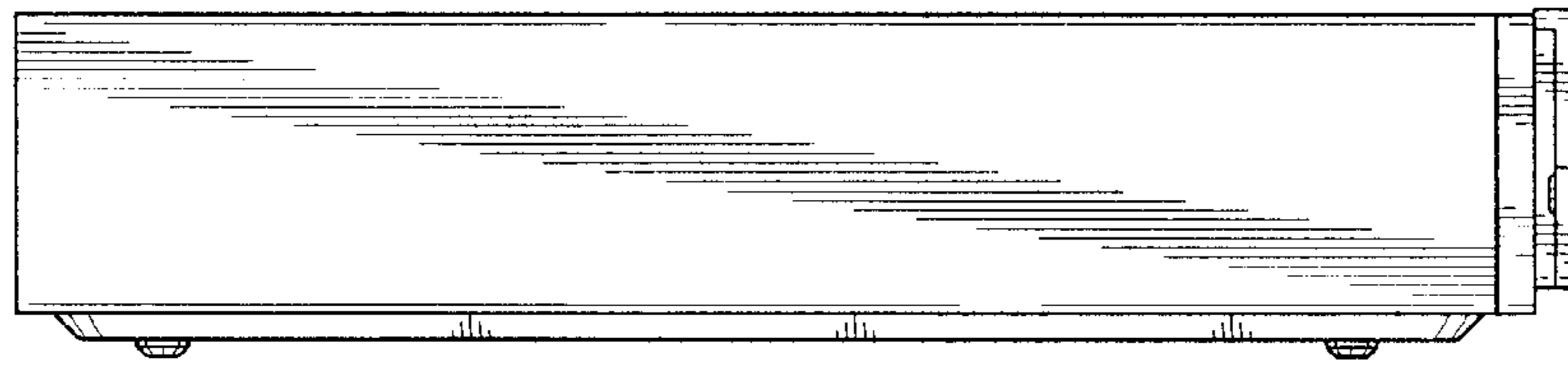


FIG. 4

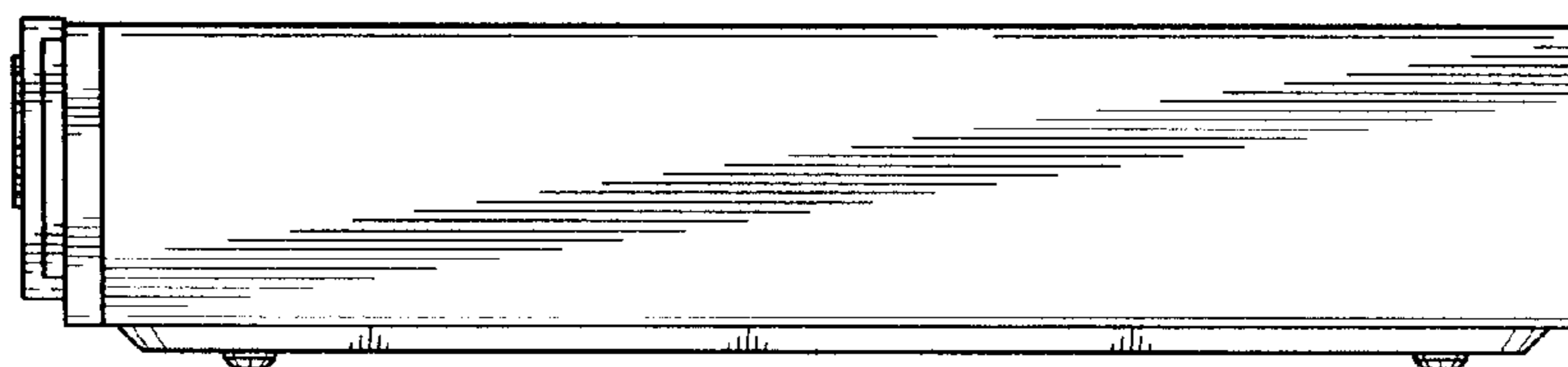


FIG. 5

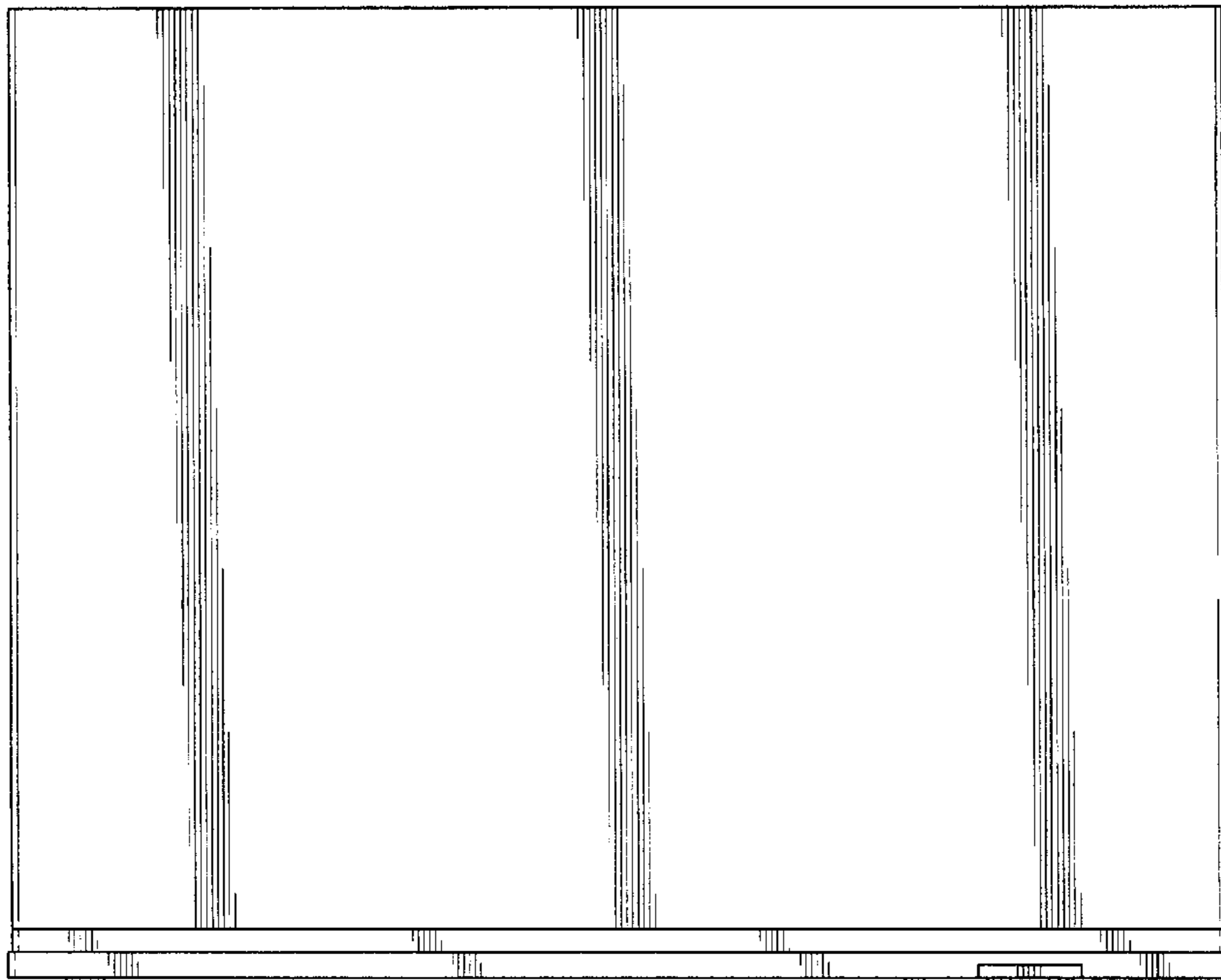


FIG. 6

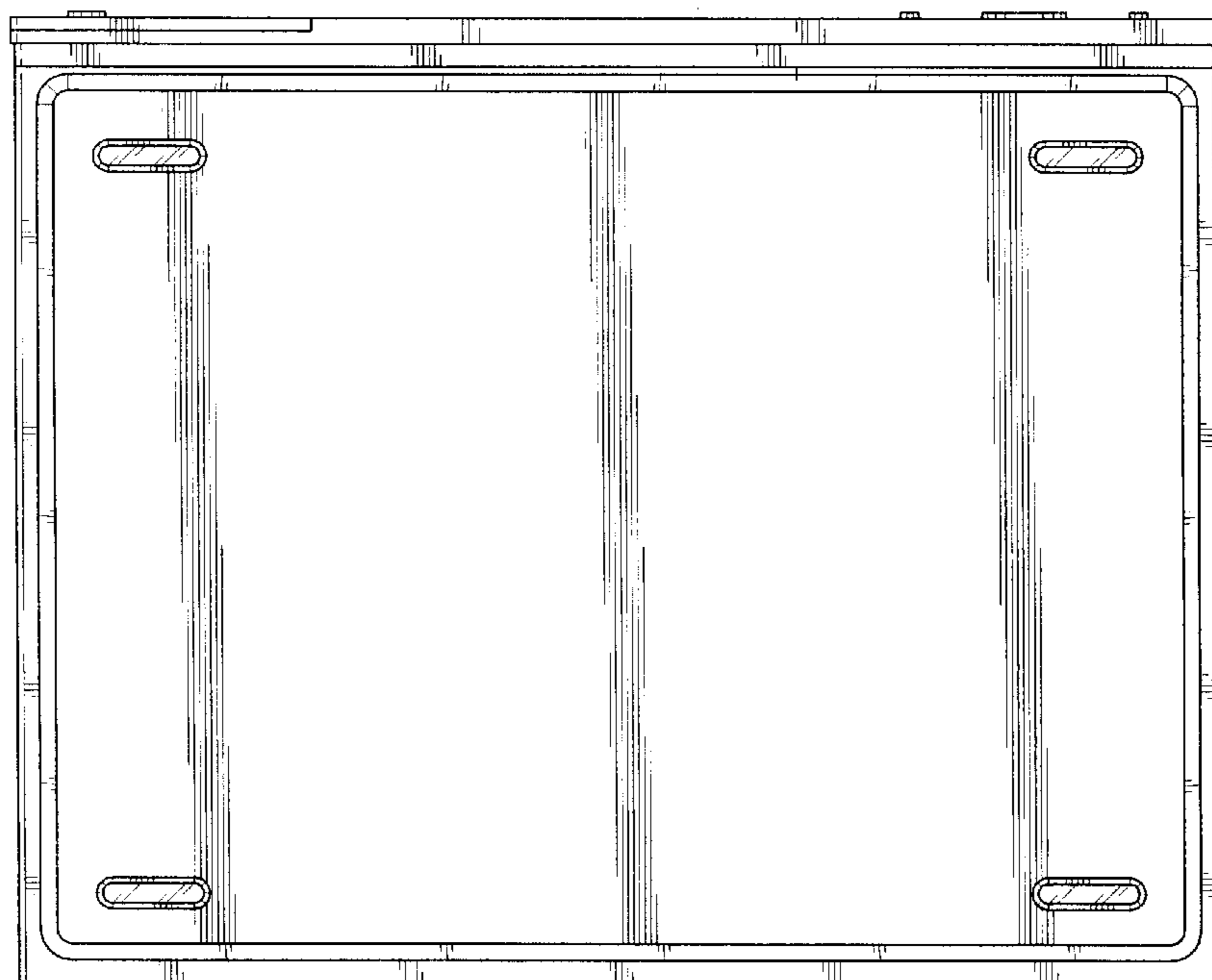


FIG. 7