



US00D541810S

(12) **United States Design Patent**
Cummins et al.

(10) **Patent No.:** **US D541,810 S**

(45) **Date of Patent:** **** May 1, 2007**

(54) **PORTION OF A DISPLAY SCREEN**

(75) Inventors: **Charles Cummins**, Seattle, WA (US);
Greg S. Melander, Redmond, WA
(US); **Mark R. Ligameri**, Snohomish,
WA (US)

(73) Assignee: **Microsoft Corporation**, Redmond, WA
(US)

(**) Term: **14 Years**

(21) Appl. No.: **29/228,361**

(22) Filed: **Apr. 22, 2005**

(51) **LOC (8) Cl.** **14-04**

(52) **U.S. Cl.** **D14/487**

(58) **Field of Classification Search** 715/500.1,
715/501.1, 526, 530-31, 539, 708, 711, 717,
715/723, 726, 733, 738, 753, 762, 763-4,
715/767-69, 778-82, 788, 790, 793-94,
715/797-8, 802-10, 835-40, 848-845, 862-63,
715/976, 978; 345/757, 782, 848, 852, 850,
345/809, 837, 798, 752, 163, 156, 537, 474,
345/836, 419, 649, 656, 659, 426, 427, 582,
345/428, 440, 660, 634, 902, 418, 629; D14/485-94;
D18/24-33; D21/324-33; 434/43, 38; 382/305;
400/76; 710/5, 73; 707/102, 2; 463/32, 16;
717/170; 705/26, 27

See application file for complete search history.

(56) **References Cited**

U.S. PATENT DOCUMENTS

4,912,657 A * 3/1990 Saxton et al. 715/853

4,970,664 A * 11/1990 Kaiser et al. 715/804
5,299,307 A * 3/1994 Young 715/861
5,396,621 A * 3/1995 MacGregor et al. 715/809
5,412,774 A * 5/1995 Agrawal et al. 715/804
5,452,406 A * 9/1995 Butler et al. 345/426
5,513,306 A * 4/1996 Mills et al. 715/530
D392,963 S * 3/1998 Coleman D14/489
D397,687 S * 9/1998 Arora et al. D14/489
D401,920 S 12/1998 Murphy et al.

(Continued)

Primary Examiner—M. H. Tung

Assistant Examiner—Susan Moon Lee

(74) *Attorney, Agent, or Firm*—Banner & Witcoff, Ltd.

(57) **CLAIM**

We claim the ornamental design for a portion of a display screen, as shown and described.

DESCRIPTION

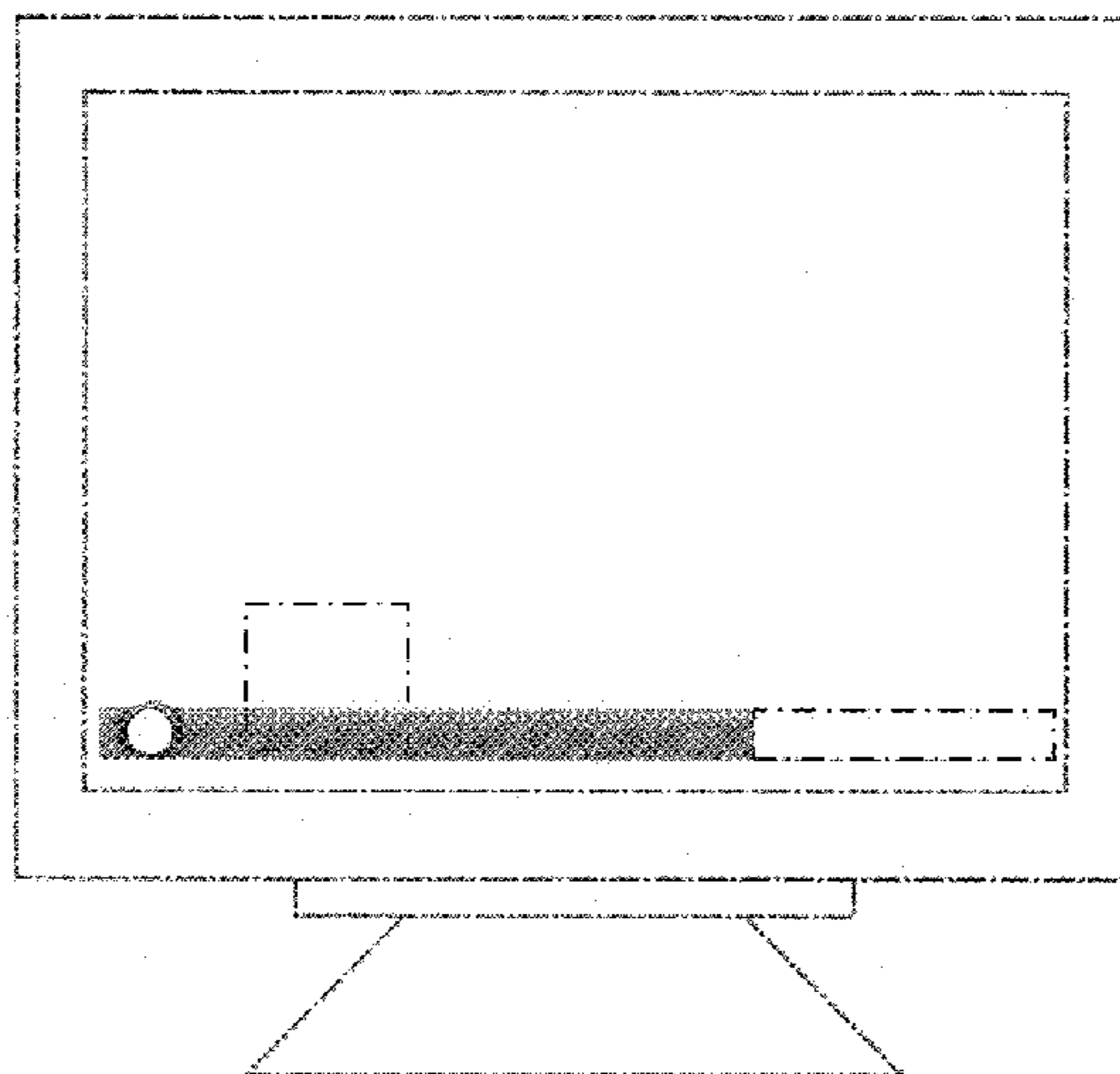
FIG. 1 is a front view of an image for a portion of a display screen showing our new design.

FIG. 2 is a front view thereof with region labeled "A" and annexed with broken line to indicate where the enlargement of FIG. 3 is taken from; and,

FIG. 3 is an enlarged view for clarity of region A indicated in FIG. 2.

The broken line showing of a square, a display screen and the remainder of the taskbar in FIGS. 1, 2 are for illustrative purposes only and form no part of the claimed design. Additionally, the broken line circular region within the taskbar button forms no part of the claimed design.

1 Claim, 3 Drawing Sheets



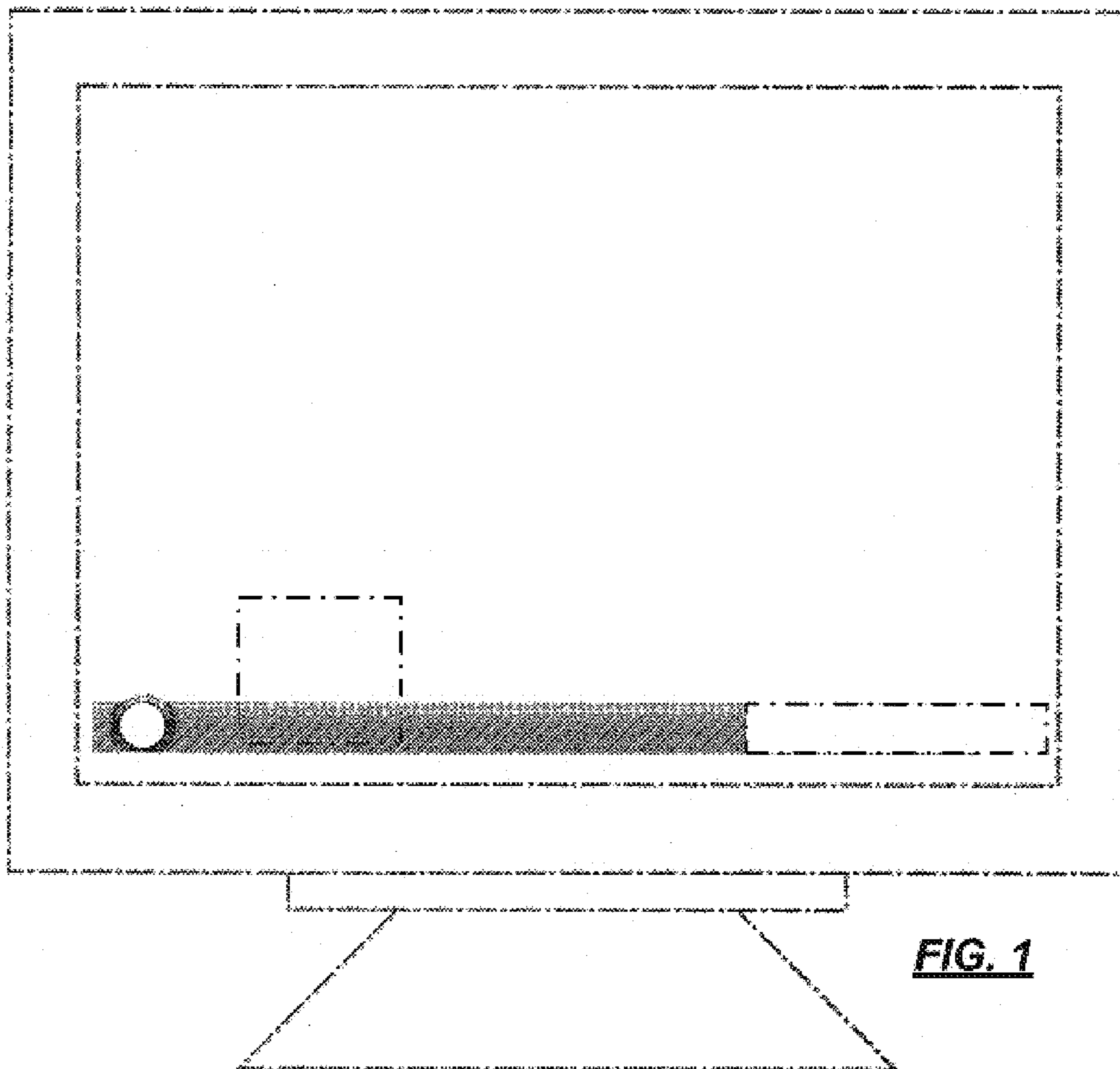
US D541,810 S

Page 2

U.S. PATENT DOCUMENTS

D402,284 S	*	12/1998	Coleman	D14/487				
D404,385 S	*	1/1999	Hodgson	D14/486				
5,889,523 A	*	3/1999	Wilcox et al.	715/854				
5,910,800 A	*	6/1999	Shields et al.	715/711				
D416,241 S	*	11/1999	Faris et al.	D14/487				
D419,981 S	*	2/2000	Coleman	D14/487				
D424,037 S	*	5/2000	Coleman	D14/487				
D424,543 S	*	5/2000	Hodgson	D14/487				
D435,561 S	*	12/2000	Pettigrew et al.	D14/487				
6,191,786 B1	*	2/2001	Eyzaguirre et al.	715/853				
D443,597 S	*	6/2001	Coleman	D14/486				
D445,427 S	*	7/2001	Faris et al.	D14/487				
D450,059 S		11/2001	Itou						
D450,324 S		11/2001	Istvan et al.						
D454,574 S	*	3/2002	Wasko et al.	D14/487				
D475,063 S		5/2003	Horie						
6,593,945 B1	*	7/2003	Nason et al.	715/779				
D481,736 S		11/2003	Ombao et al.						
D486,834 S		2/2004	Allen et al.						
6,718,519 B1	*	4/2004	Taieb	715/542				
D501,212 S		1/2005	Lam et al.						
D501,483 S		2/2005	Anthony et al.						
D506,475 S		6/2005	Lam et al.						
D507,276 S		7/2005	Lam et al.						
D508,919 S		8/2005	Lam et al.						
2002/0015063	A1	*	2/2002	Kopitzke et al.	345/810			
2003/0107605	A1	*	6/2003	Iwamura	345/810			
2003/0117446	A1	*	6/2003	Esposito-Ross et al.	345/810			
2003/0132966	A1	*	7/2003	Simas et al.	345/764			
2003/0142141	A1	*	7/2003	Brown et al.	345/805			
2004/0032393	A1	*	2/2004	Brandenberg et al.	345/156			
2004/0032394	A1	*	2/2004	Ayatsuka et al.	345/156			
2004/0036721	A1	*	2/2004	Anderson et al.	345/848			

* cited by examiner



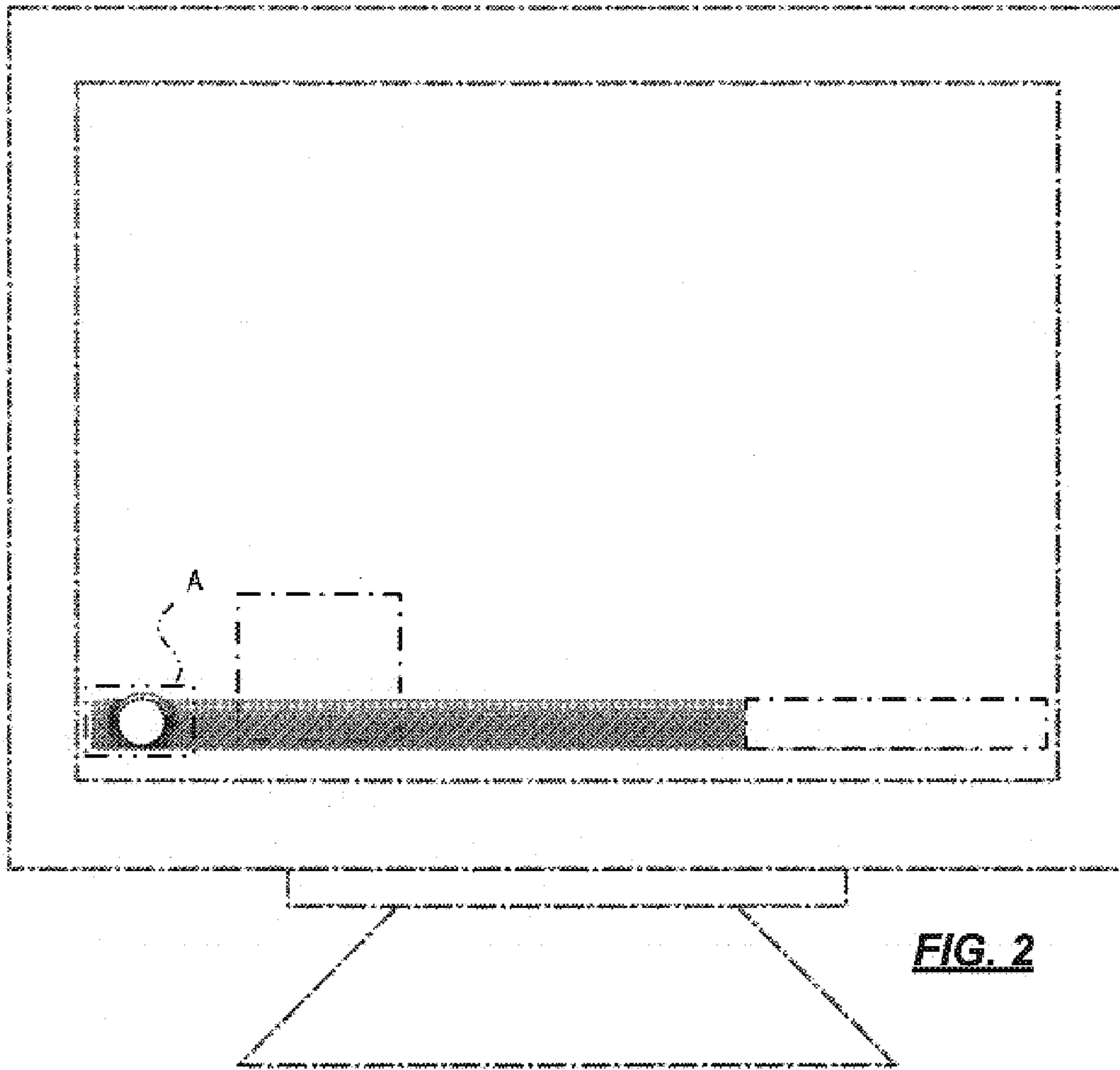


FIG. 2

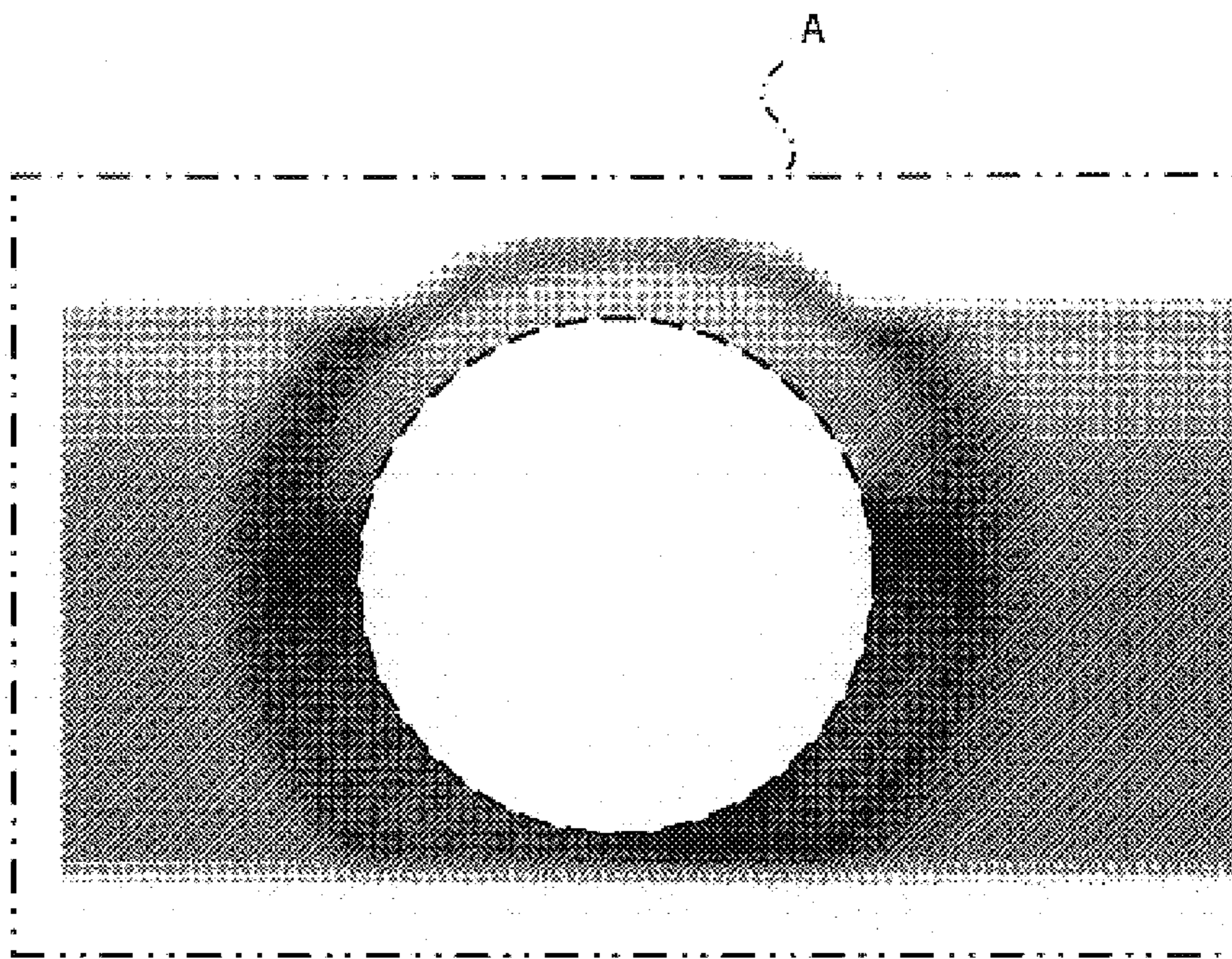


FIG. 3