



US00D541809S

(12) **United States Design Patent**
Croley et al.

(10) **Patent No.:** **US D541,809 S**

(45) **Date of Patent:** **** May 1, 2007**

(54) **BOTTOM PORTION HOUSING OF A MOBILE DEVICE**

(75) Inventors: **Curt Croley**, Stony Brook, NY (US);
Carl Thelemann, East Islip, NY (US);
JaeHo Choi, Whitestone, NY (US)

(73) Assignee: **Symbol Technologies, Inc.**, Holtsville, NY (US)

(**) Term: **14 Years**

(21) Appl. No.: **29/239,614**

(22) Filed: **Sep. 29, 2005**

(51) **LOC (8) Cl.** **14-02**

(52) **U.S. Cl.** **D14/453**

(58) **Field of Classification Search** D14/126,
D14/142, 218, 251, 253, 341, 346, 347, 356,
D14/420-430, 432, 434, 453, 466; D13/107,
D13/184; D21/333; 235/435, 486, 462.43,
235/462.45; 248/159, 678; 320/114-5, 123;
361/679; 379/455; 382/313, 321; 455/561,
455/572, 575.1

See application file for complete search history.

(56) **References Cited**

U.S. PATENT DOCUMENTS

D414,470 S * 9/1999 Chacon et al. D14/341
D414,760 S * 10/1999 Hetfield et al. D14/426
D436,591 S * 1/2001 Abston et al. D14/341
D458,264 S * 6/2002 MacGregor D14/426

D462,357 S * 9/2002 Jenkins D14/426
D463,425 S * 9/2002 Jenkins D14/347
D467,578 S * 12/2002 Ichijima et al. D14/218
D473,872 S * 4/2003 Ausems et al. D14/420
D496,366 S * 9/2004 Croley et al. D14/429
D505,422 S * 5/2005 Kakizaki et al. D14/347
2002/0193082 A1 * 12/2002 Uemura et al. 455/90

* cited by examiner

Primary Examiner—Alan P. Douglas

Assistant Examiner—Angela J. Lee

(74) *Attorney, Agent, or Firm*—Fay Kaplun & Marcin, LLP

(57) **CLAIM**

The ornamental design for a bottom portion housing of a mobile device, as shown and described.

DESCRIPTION

FIG. 1 is a first side view of an ornamental design of an embodiment of a bottom portion housing of a mobile device showing our new design;

FIG. 2 is a second side view thereof;

FIG. 3 is a top view thereof;

FIG. 4 is a third side view thereof;

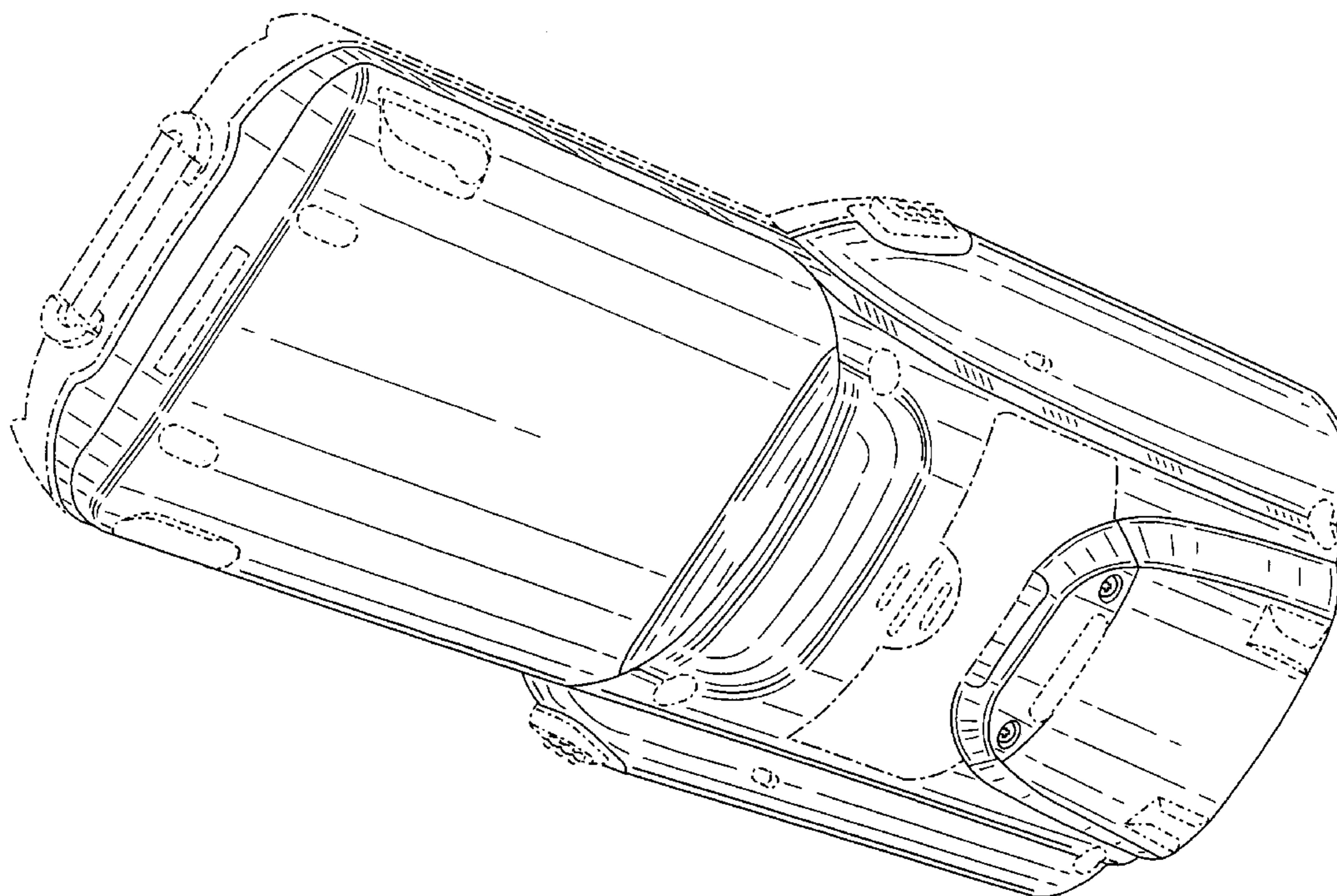
FIG. 5 is a fourth side view thereof; and

FIG. 6 is a bottom view thereof; and,

FIG. 7 is an isometric view thereof.

The broken lines shown in FIGS. 1-7 are included for illustrative purposes only and form no part of the claimed design.

1 Claim, 5 Drawing Sheets



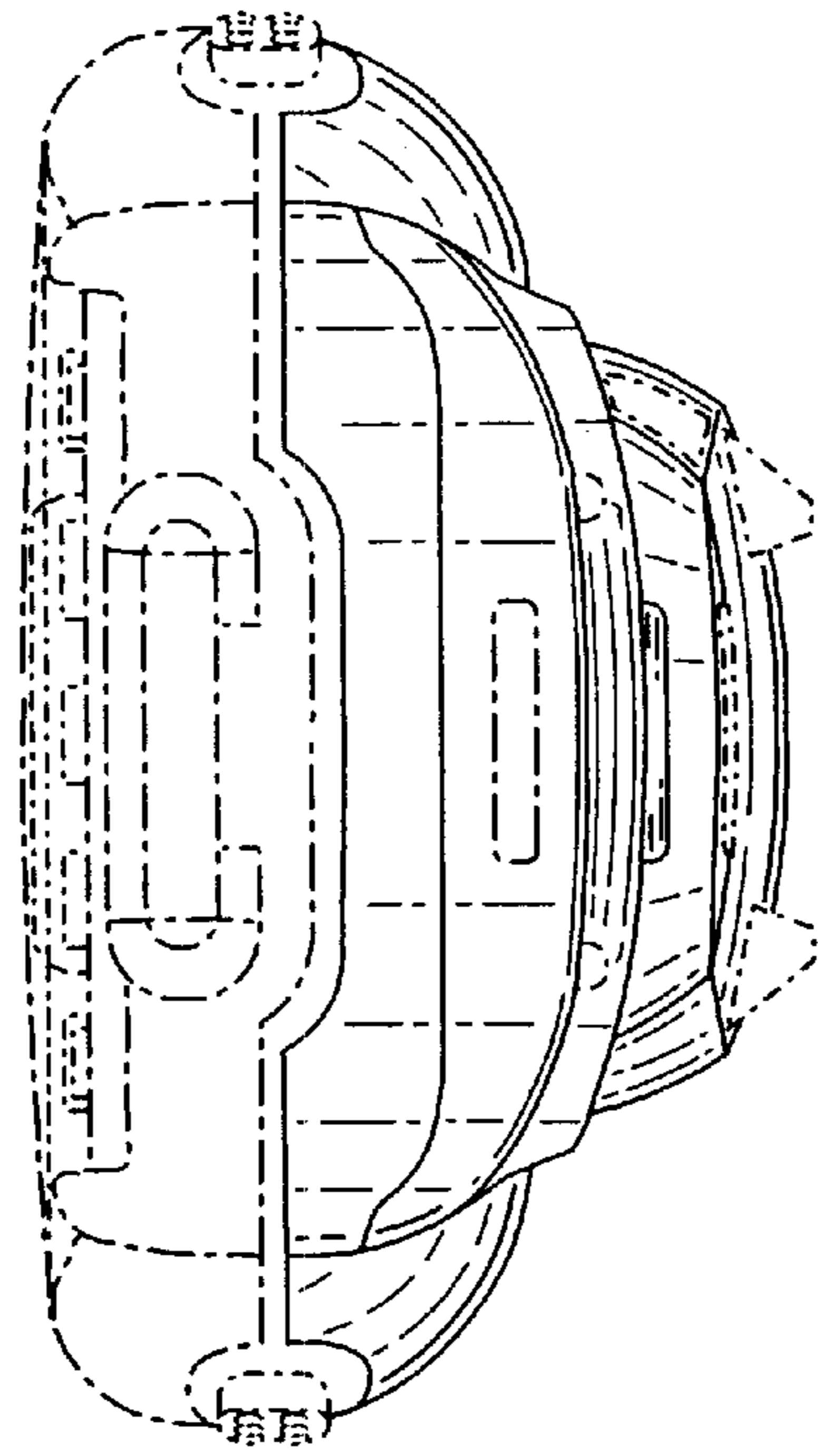


FIG. 1

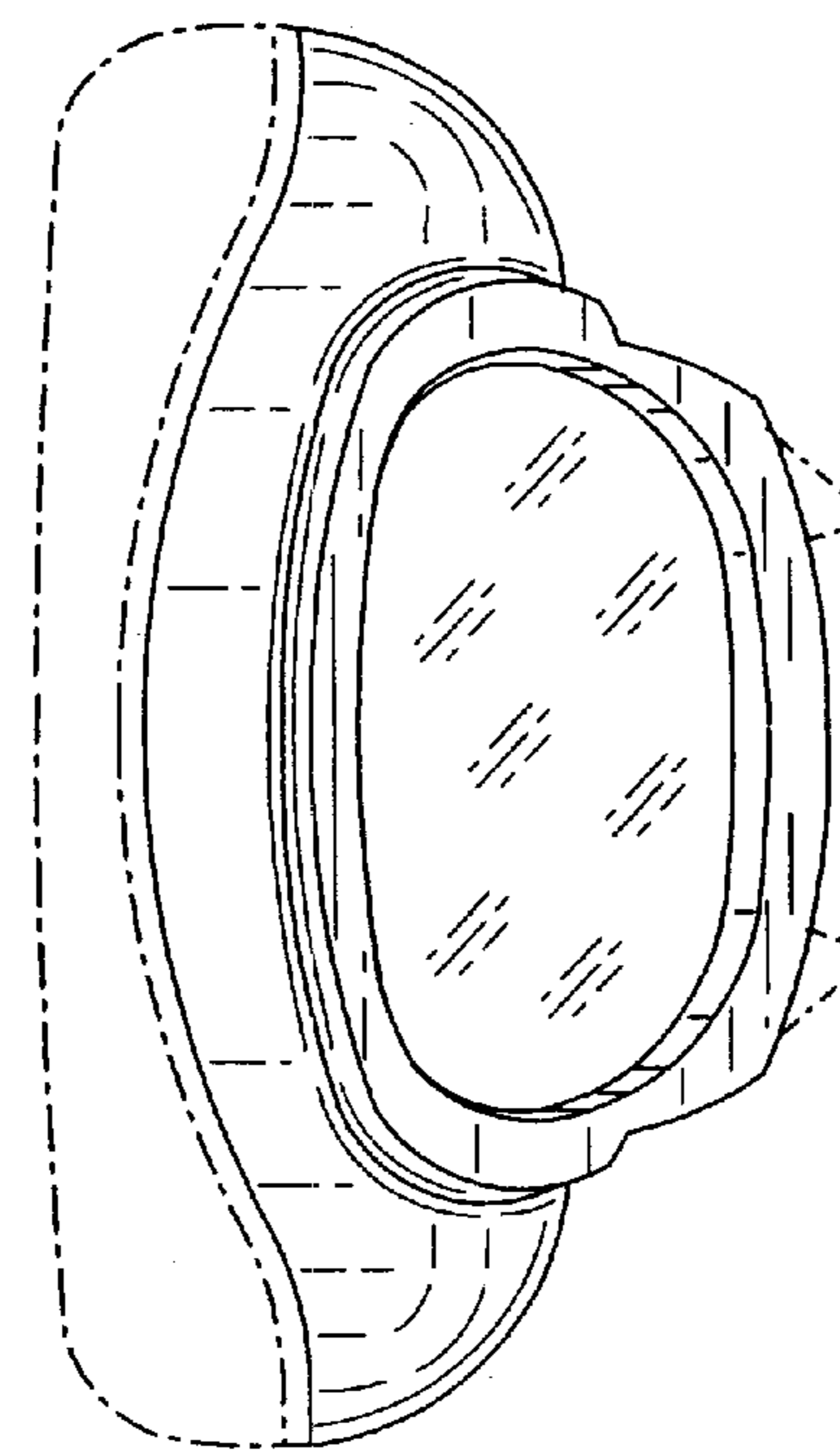


FIG. 2

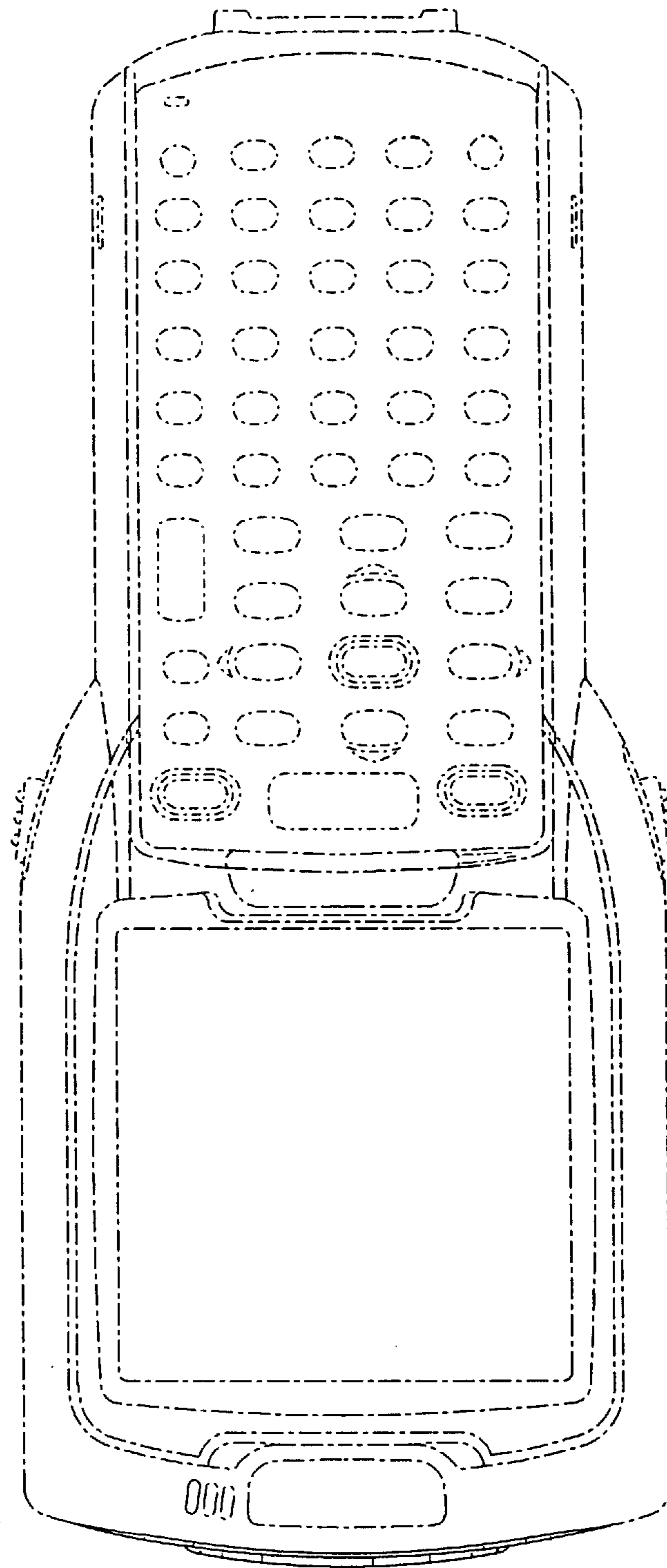


FIG. 3

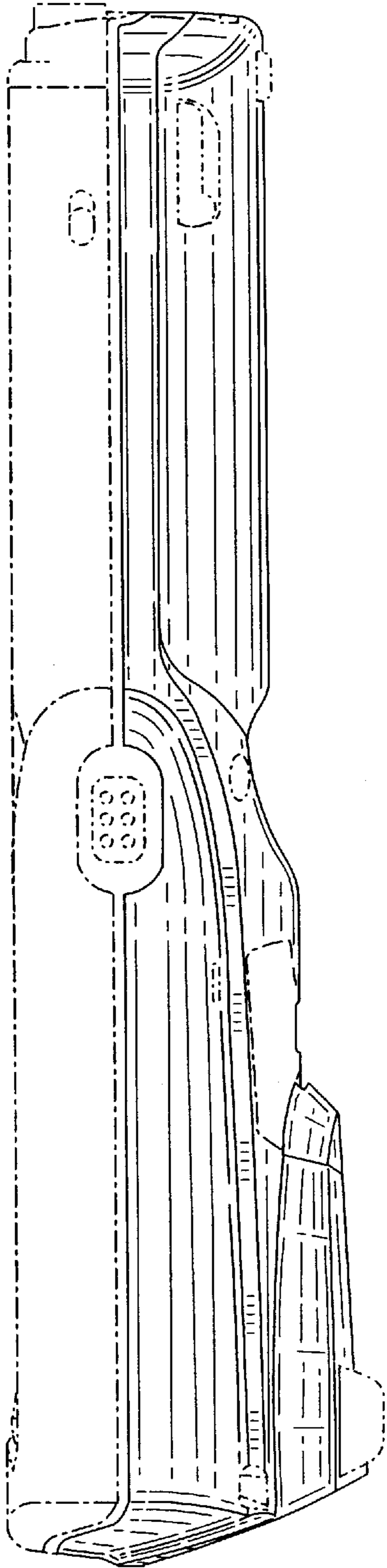


FIG. 4

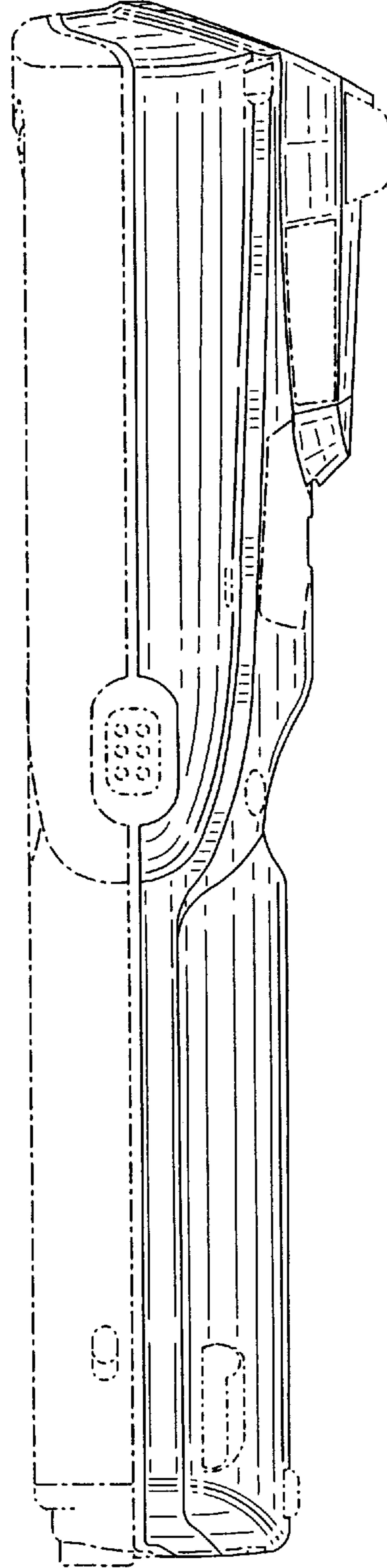


FIG. 5

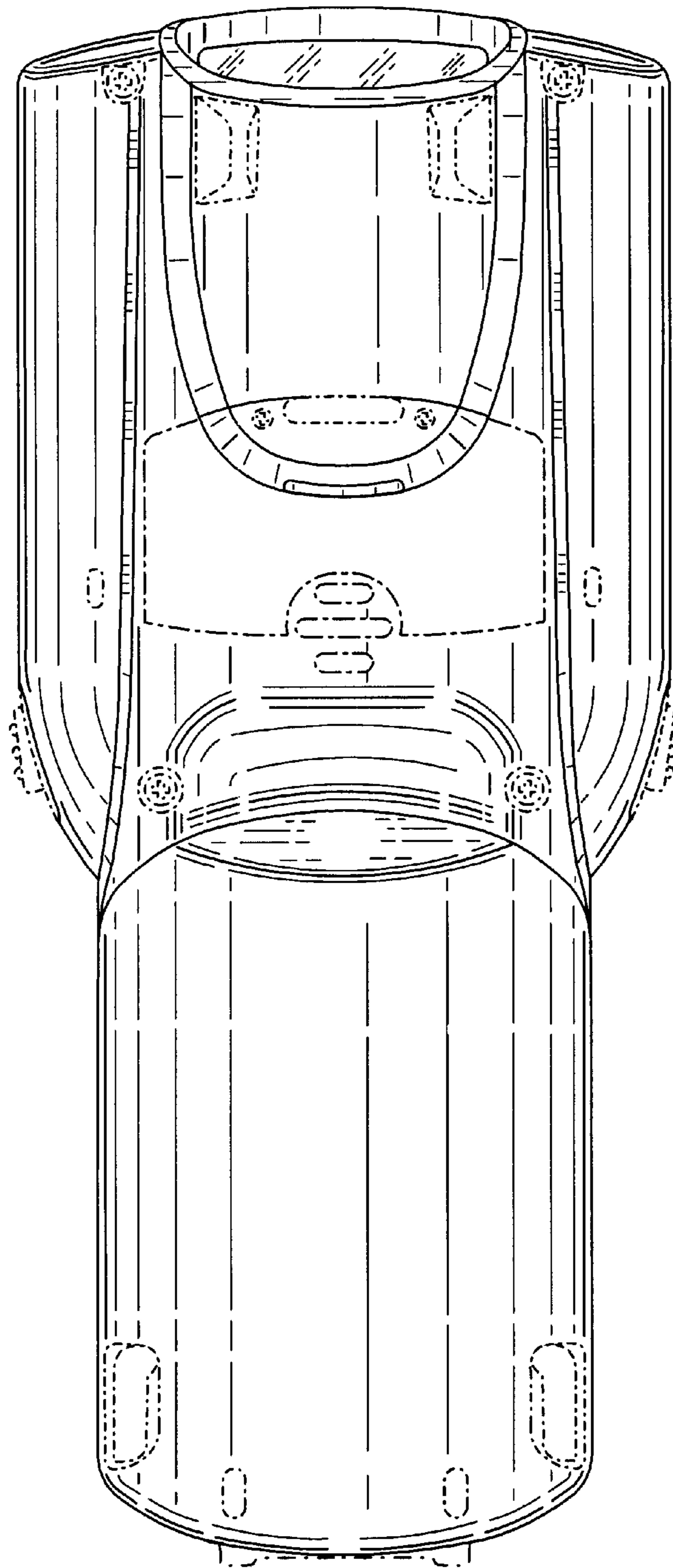


FIG. 6

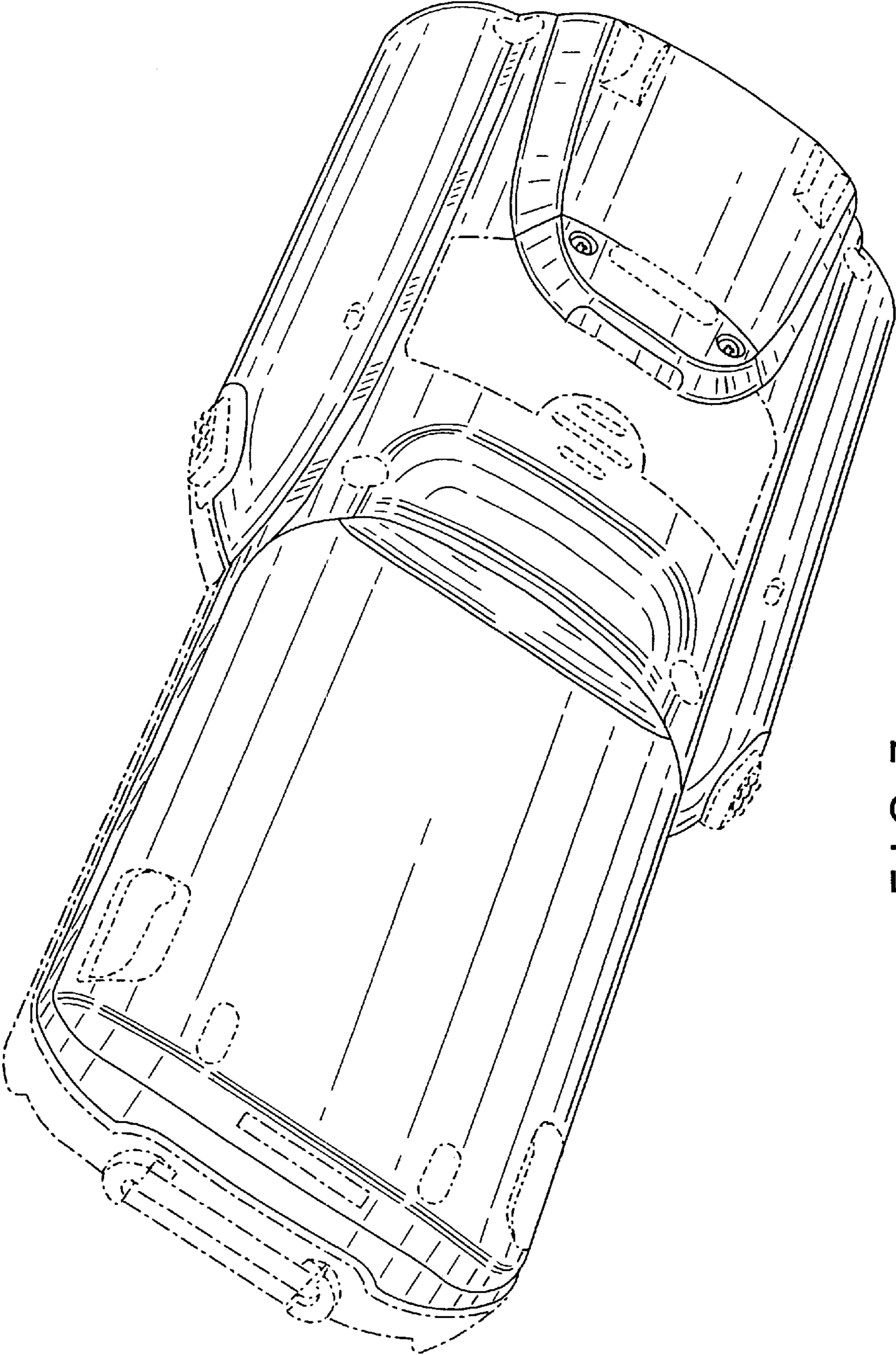


FIG. 7