



US00D541807S

(12) **United States Design Patent** (10) **Patent No.:** **US D541,807 S**
Oddsens, Jr. et al. (45) **Date of Patent:** **** May 1, 2007**

- (54) **MINI ARM**
- (75) Inventors: **Odd N. Oddsens, Jr.**, Easton, PA (US);
Bradley A. Derry, Allentown, PA (US)
- (73) Assignee: **Innovative Office Products, Inc.**,
Easton, PA (US)
- (**) Term: **14 Years**

D494,183 S 8/2004 Wills et al.
 2003/0146359 A1 8/2003 Oddsens
 2004/0222344 A1 11/2004 Oddsens
 2004/0251389 A1 12/2004 Oddsens
 2005/0230585 A1 10/2005 Hung

FOREIGN PATENT DOCUMENTS

DE 200 18 361 4/2001
 GB 2 416 062 1/2006

OTHER PUBLICATIONS

“Ergonomic mounting solutions for monitors and keyboards,” Product Catalog—LCD Arms & Mounts, retrieved from internet Feb. 15, 2005, <URL:\\www.lcdarms.com/pdfs/Innovative_Product_Catalog.pdf> (c) 2004, Innovative Office Products, 18 pgs.
 U.S. Appl. No. 10/885,854, filed Jul. 7, 2004, entitled “Arm Apparatus With Reinforcement.”
 U.S. Appl. No. 11/058,820, filed Feb. 16, 2005, entitled “Quick Release Assembly for an Electronic Device.”

* cited by examiner

Primary Examiner—Alan P. Douglas
Assistant Examiner—Angela J. Lee
 (74) *Attorney, Agent, or Firm*—Lerner, David, Littenberg, Krumholz & Mentlik, LLP

- (21) Appl. No.: **29/232,407**
- (22) Filed: **Jun. 17, 2005**

Related U.S. Application Data

- (63) Continuation of application No. 11/141,348, filed on May 31, 2005.
- (51) **LOC (8) Cl.** **08-07**
- (52) **U.S. Cl.** **D14/452**
- (58) **Field of Classification Search** D14/126,
D14/224, 229, 253, 316, 375, 376, 377, 432,
D14/439, 447, 451, 452, 457; D8/306, 363,
D8/373, 380; D18/59; 180/332; 248/118.3,
248/218.11, 225.11, 274.1, 276.1, 278.1,
248/279.1, 280.11, 282.1, 917, 919; 348/373;
403/110; 439/345

See application file for complete search history.

(56) **References Cited**

U.S. PATENT DOCUMENTS

- D275,431 S * 9/1984 Usab D14/452
- D324,863 S * 3/1992 Timm D14/126
- 5,092,552 A * 3/1992 Dayton et al. 248/280.11
- D363,065 S * 10/1995 Karten et al. D14/452
- 5,538,214 A 7/1996 Sinila
- D383,376 S 9/1997 Vogels et al.
- 5,975,472 A 11/1999 Hung et al.
- 6,012,693 A 1/2000 Voeller et al.
- D422,482 S * 4/2000 Csik et al. D8/349
- 6,394,403 B1 5/2002 Hung
- 6,409,134 B1 6/2002 Oddsens, Jr.
- 6,478,274 B1 11/2002 Oddsens, Jr.
- 6,505,988 B1 1/2003 Oddsens, Jr.
- D489,370 S 5/2004 Jobs et al.

(57) **CLAIM**

The ornamental design for mini arm, as shown and described.

DESCRIPTION

FIG. 1 is a perspective view of an embodiment of a mini arm in accordance with the invention;
 FIG. 2 is a right side elevational view of the mini arm of FIG. 1, the left side elevational view being a mirror image of the right side;
 FIG. 3 is a rear elevational view of the mini arm of FIG. 1;
 FIG. 4 is a bottom plan view of the mini arm of FIG. 1;
 FIG. 5 is a top plan view of the mini arm of FIG. 1; and,
 FIG. 6 is a front plan view of the mini arm of FIG. 1.

1 Claim, 6 Drawing Sheets

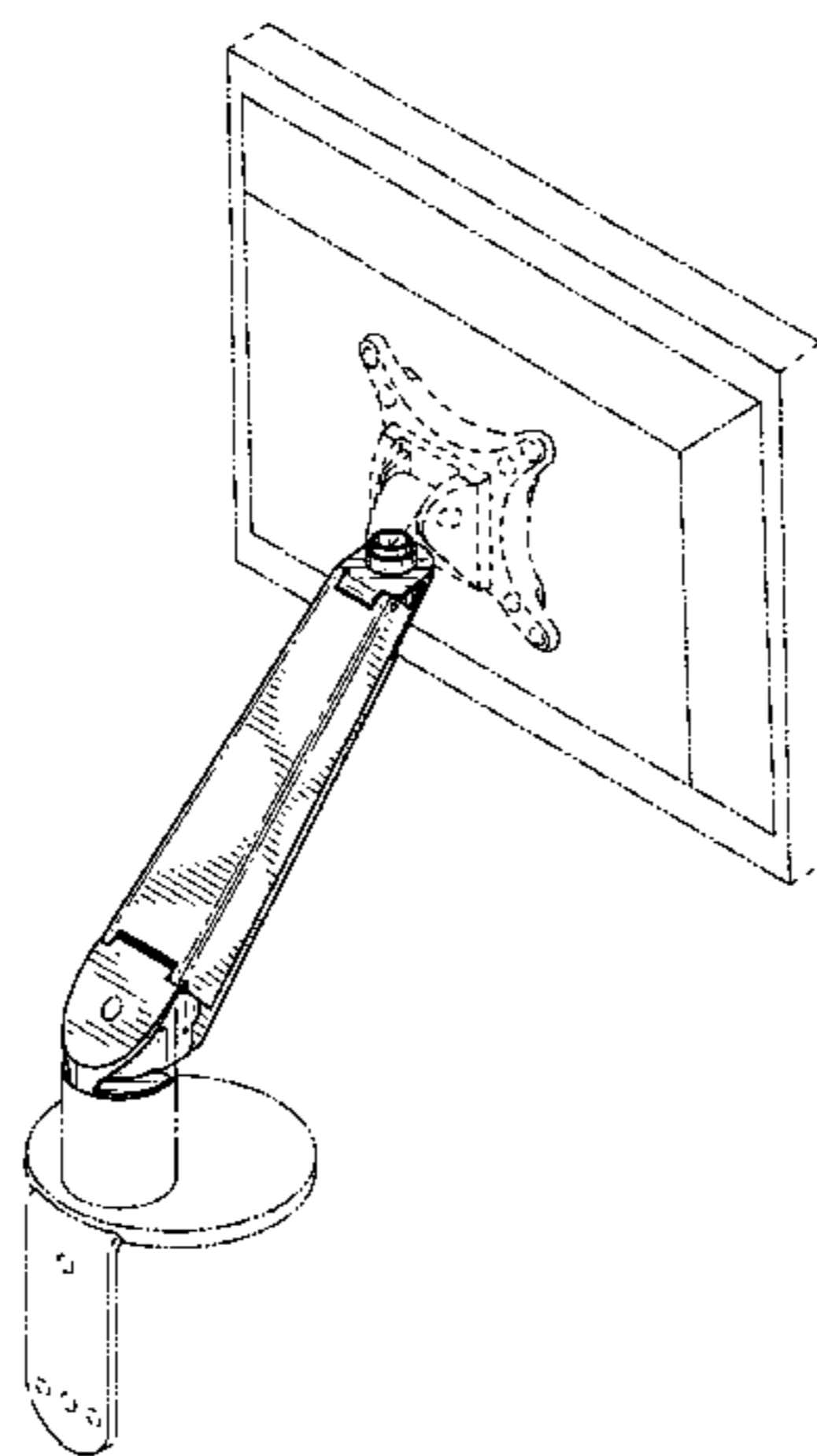


FIG. 1

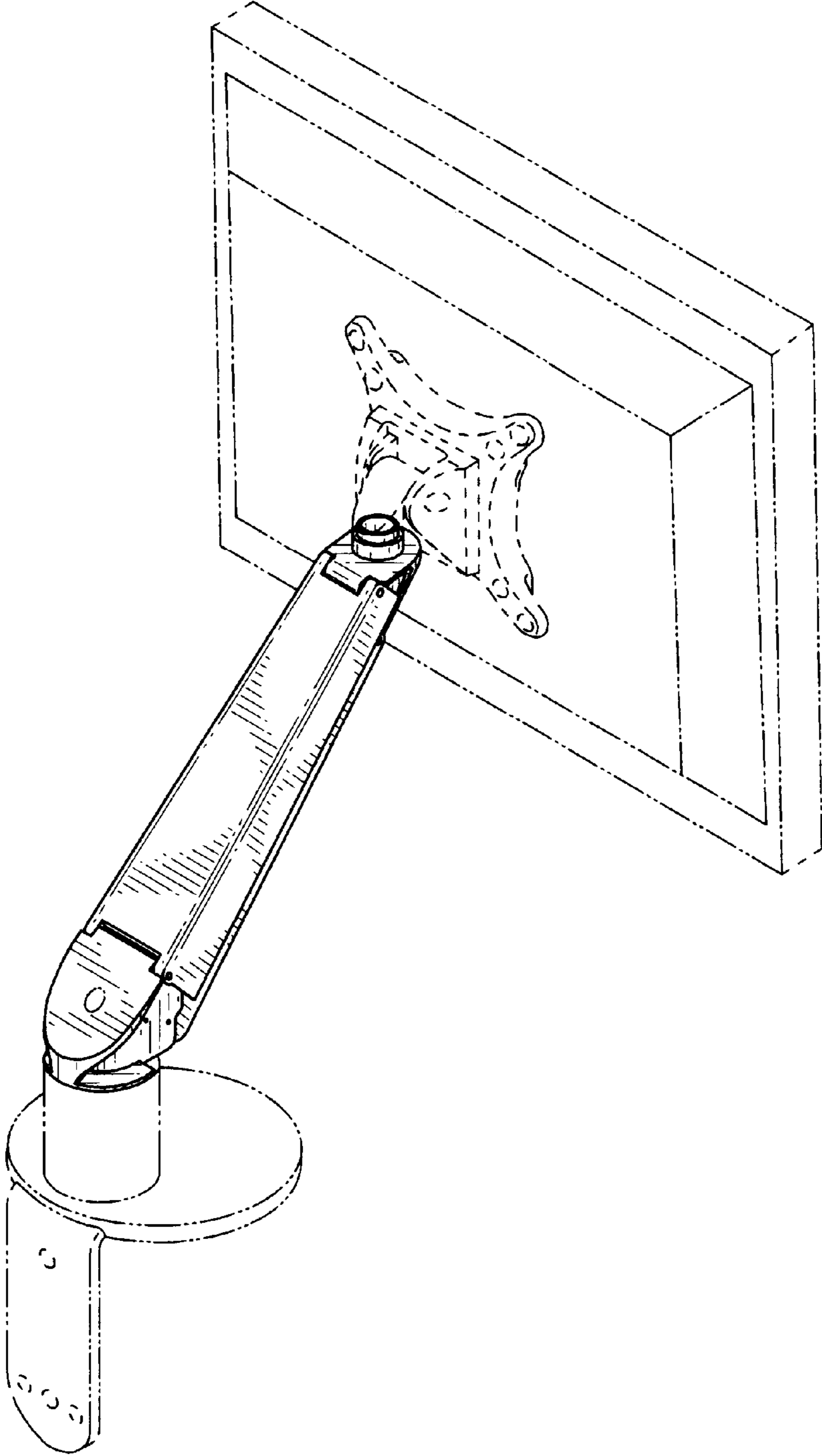


FIG. 2

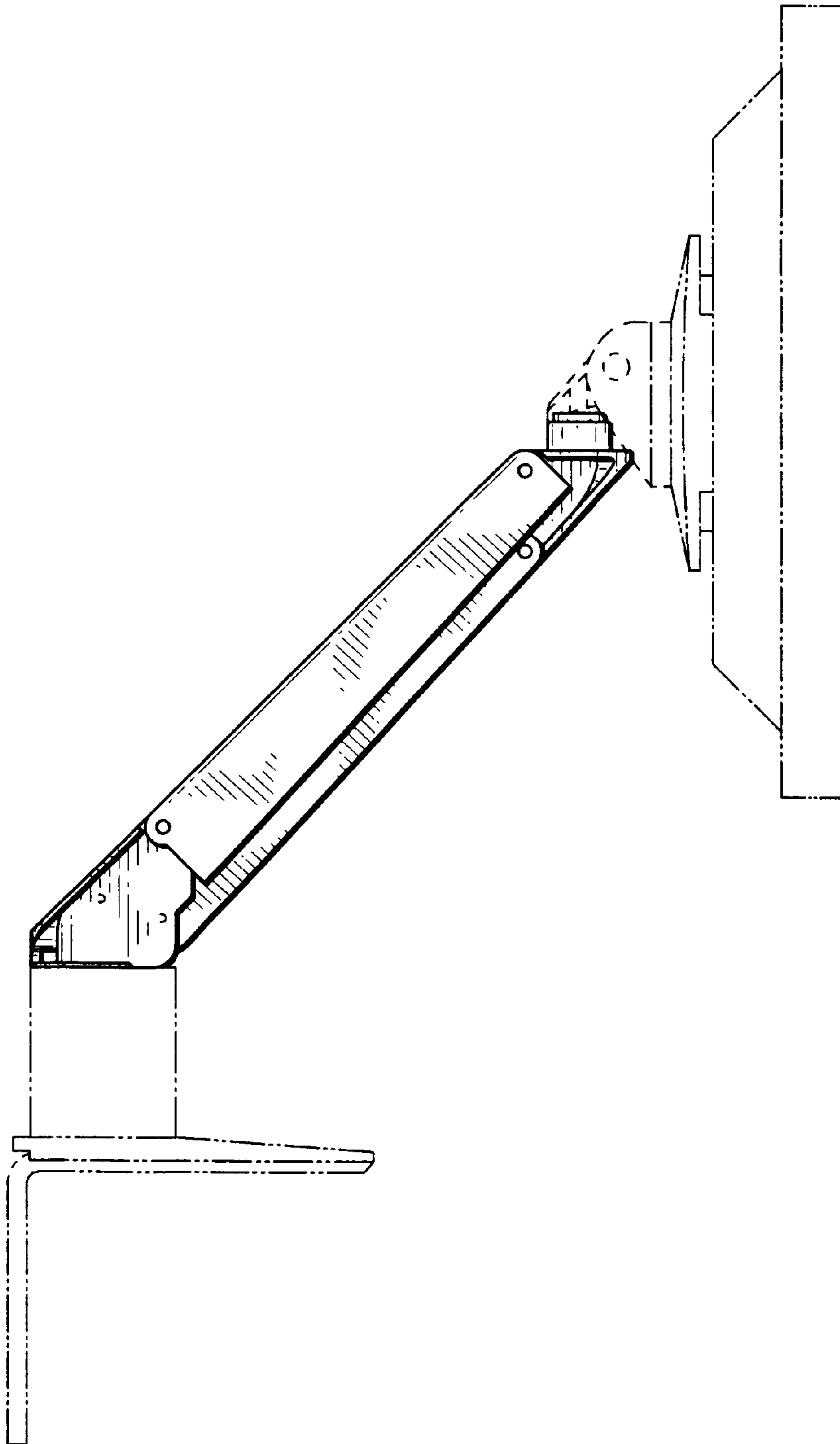
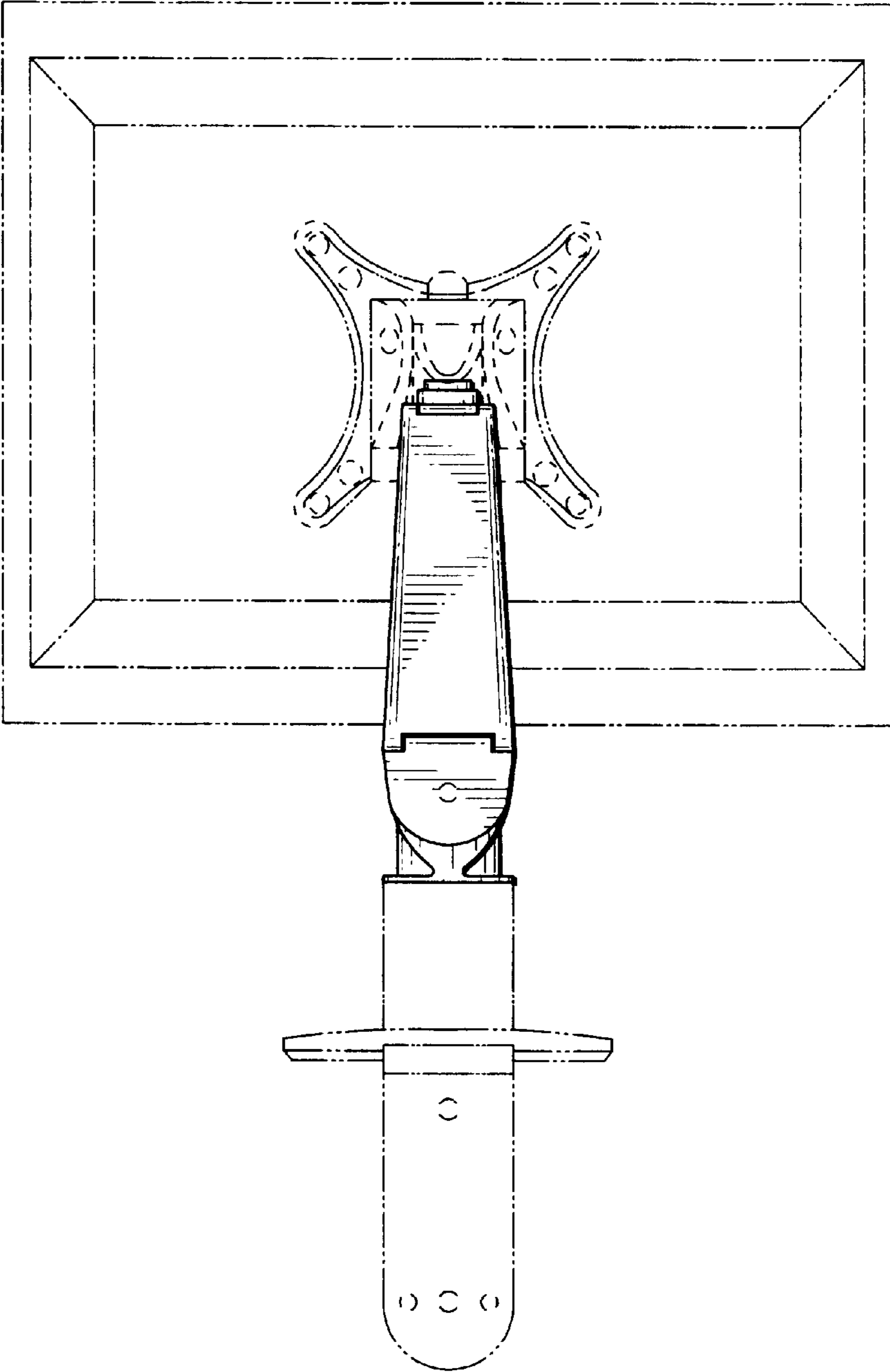


FIG. 3



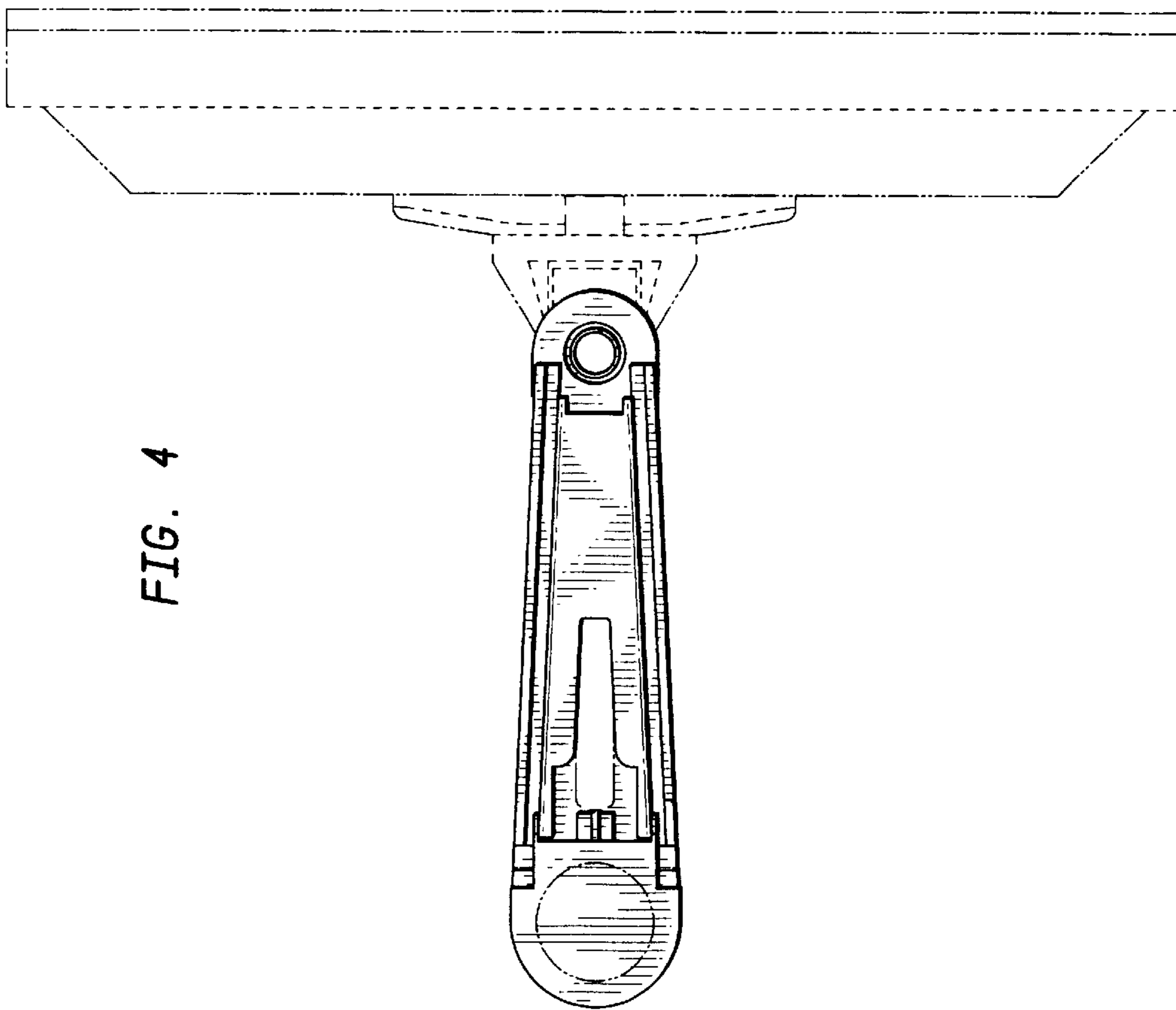


FIG. 4

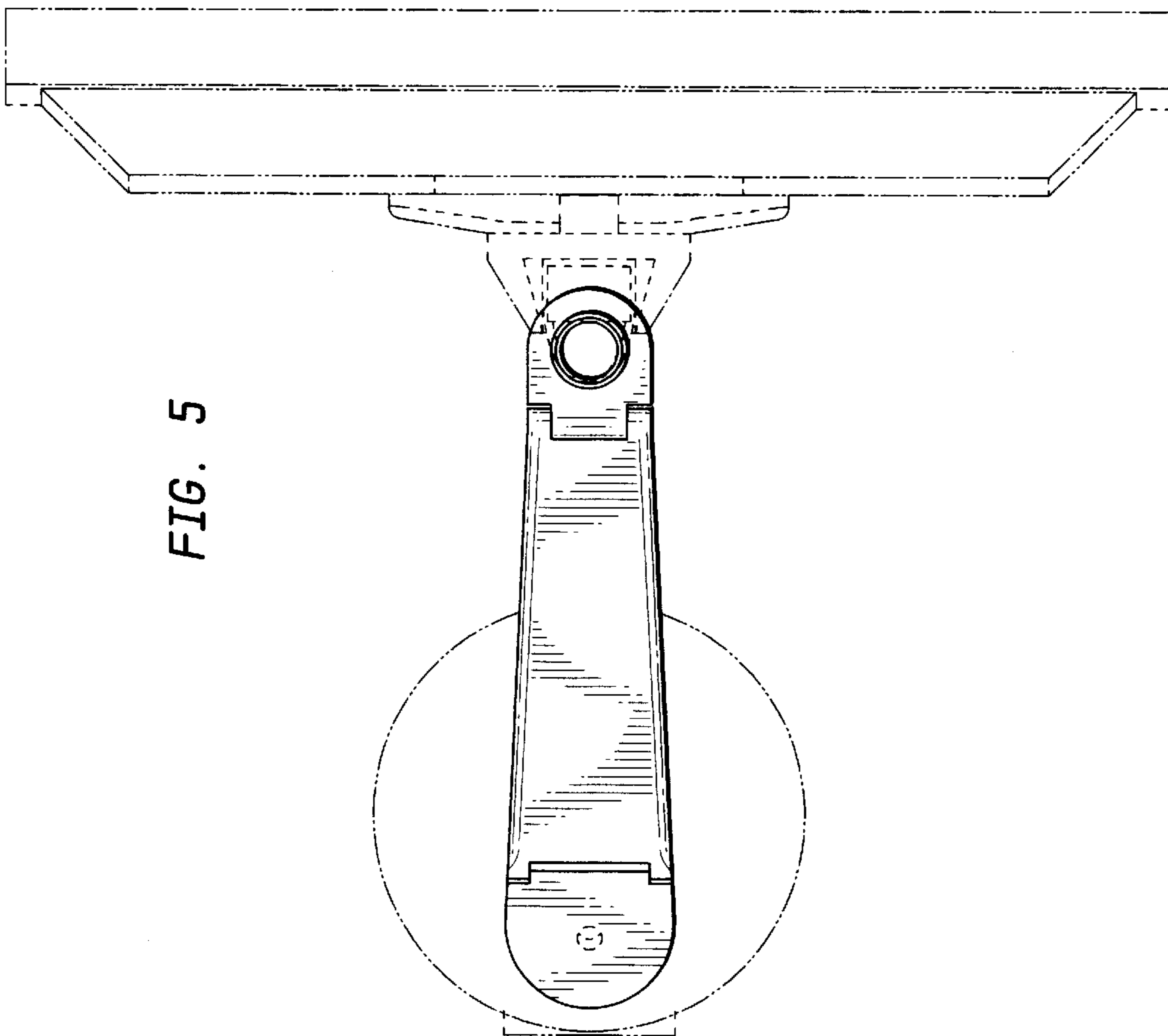


FIG. 5

FIG. 6

