



US00D541806S

(12) **United States Design Patent**
Wada

(10) **Patent No.:** **US D541,806 S**

(45) **Date of Patent:** **** May 1, 2007**

(54) **CONTROLLER FOR A GAME DEVICE**

(75) Inventor: **Yasuhiro Wada**, Tokyo (JP)

(73) Assignee: **Sega Corporation**, Tokyo (JP)

(**) Term: **14 Years**

(21) Appl. No.: **29/245,329**

(22) Filed: **Dec. 22, 2005**

(30) **Foreign Application Priority Data**

Jun. 28, 2005 (JP) 2005-018716

(51) **LOC (8) Cl.** **21-01**

(52) **U.S. Cl.** **D14/418; D21/324**

(58) **Field of Classification Search** D21/324-328,
D21/333, 385, 570-575; D14/418, 432; 273/317,
273/317.1, 348, 349, 148 B, 127 R, 459-461;
463/2, 5, 47, 47.2, 49, 51; 446/473; 434/16,
434/18-20, 24

See application file for complete search history.

(56) **References Cited**

U.S. PATENT DOCUMENTS

- 3,655,192 A * 4/1972 Hall et al. 463/51
- 4,175,747 A * 11/1979 Hudson 463/49
- 4,811,955 A * 3/1989 De Bernardini 463/51
- D374,463 S * 10/1996 Butler et al. D14/418
- 5,569,085 A * 10/1996 Igarashi et al. 463/49
- 5,853,324 A * 12/1998 Kami et al. 463/2

- D436,356 S * 1/2001 Lee D14/418
- D444,786 S * 7/2001 Otomi et al. D14/418
- 6,328,650 B1 * 12/2001 Fukawa et al. 463/36
- D472,241 S * 3/2003 Kim D14/418
- 6,672,952 B1 * 1/2004 Masmarr et al. 451/539
- 6,902,483 B2 * 6/2005 Lin 463/37
- D521,568 S * 5/2006 Hussaini et al. D21/333

* cited by examiner

Primary Examiner—Prabhakar Deshmukh

(74) *Attorney, Agent, or Firm*—Dickstein Shapiro LLP

(57) **CLAIM**

The ornamental design for the controller for a game device, as shown and described.

DESCRIPTION

FIG. 1 is a front, top and left side perspective view of a controller for a game device showing my new design; FIG. 2 is a front elevational view thereof; FIG. 3 is a rear elevational view thereof; FIG. 4 is a top plan view thereof; FIG. 5 is a bottom plan view thereof; FIG. 6 is a right side elevational view thereof; FIG. 7 is a left side elevational view thereof; and, FIG. 8 is a front elevational reference view thereof, showing the claimed design in it's use. The broken lines showing of a game machine is for illustrative purposes only and form no part of the claimed design.

1 Claim, 4 Drawing Sheets

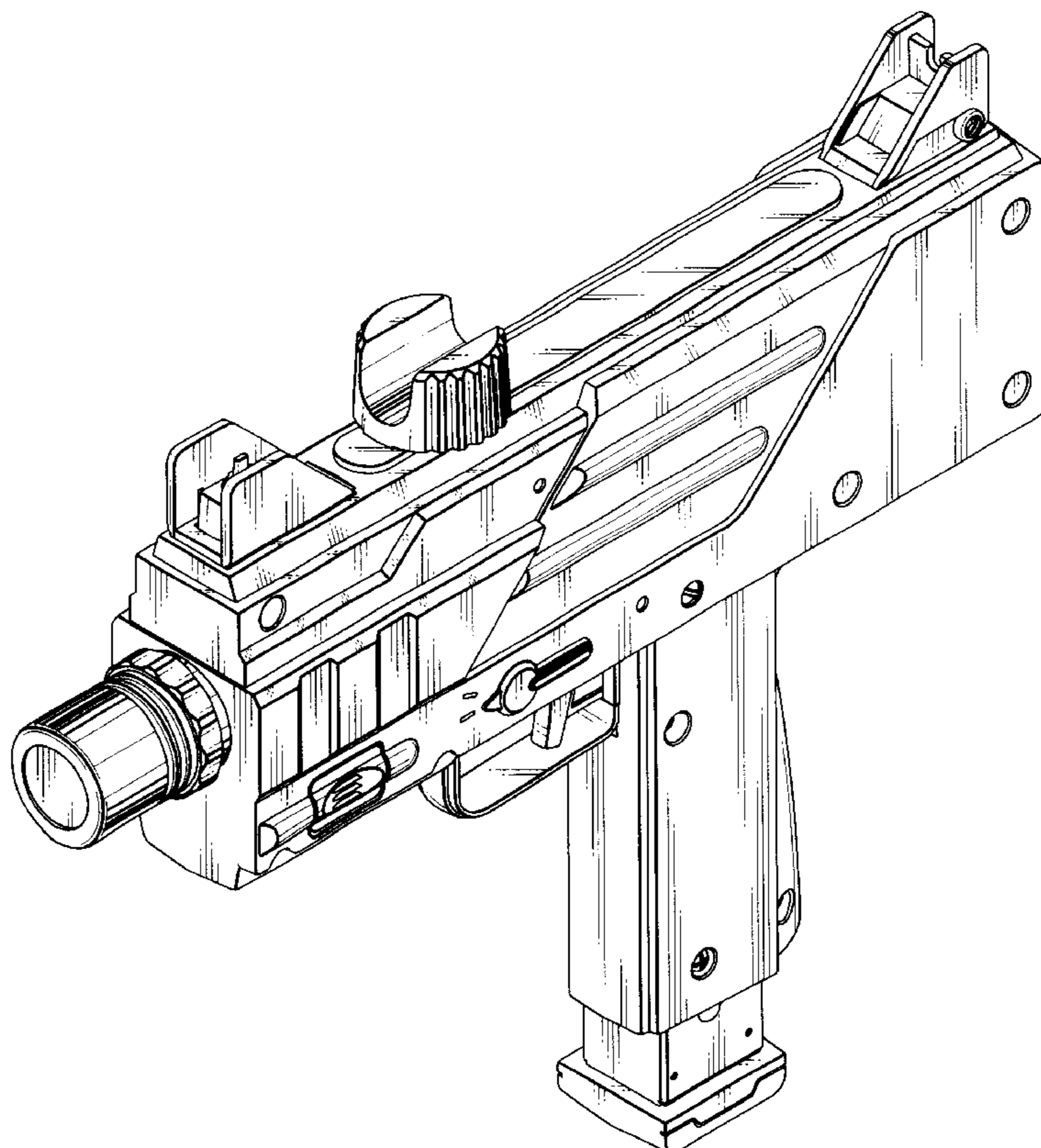


FIG. 1

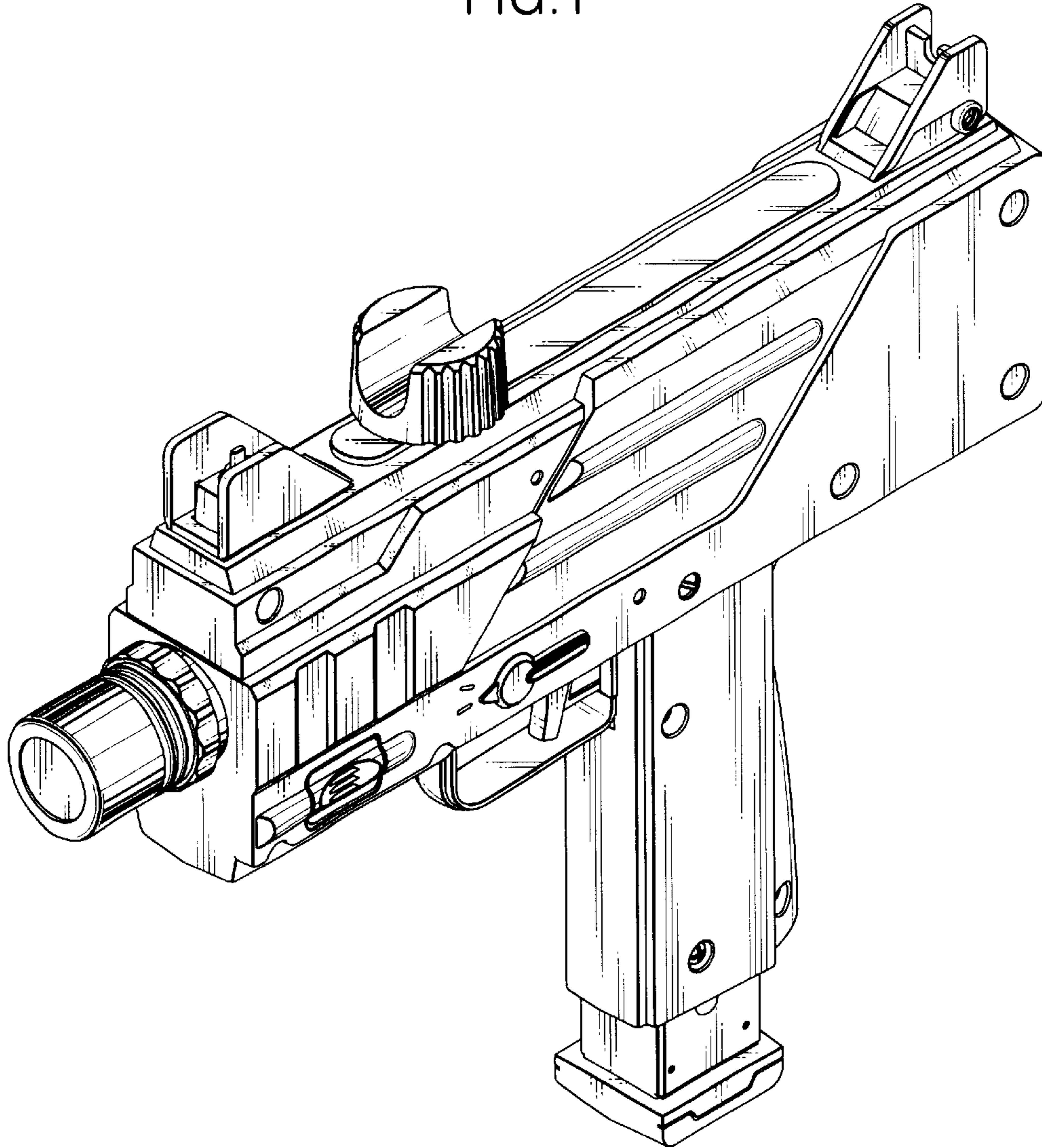


FIG.2

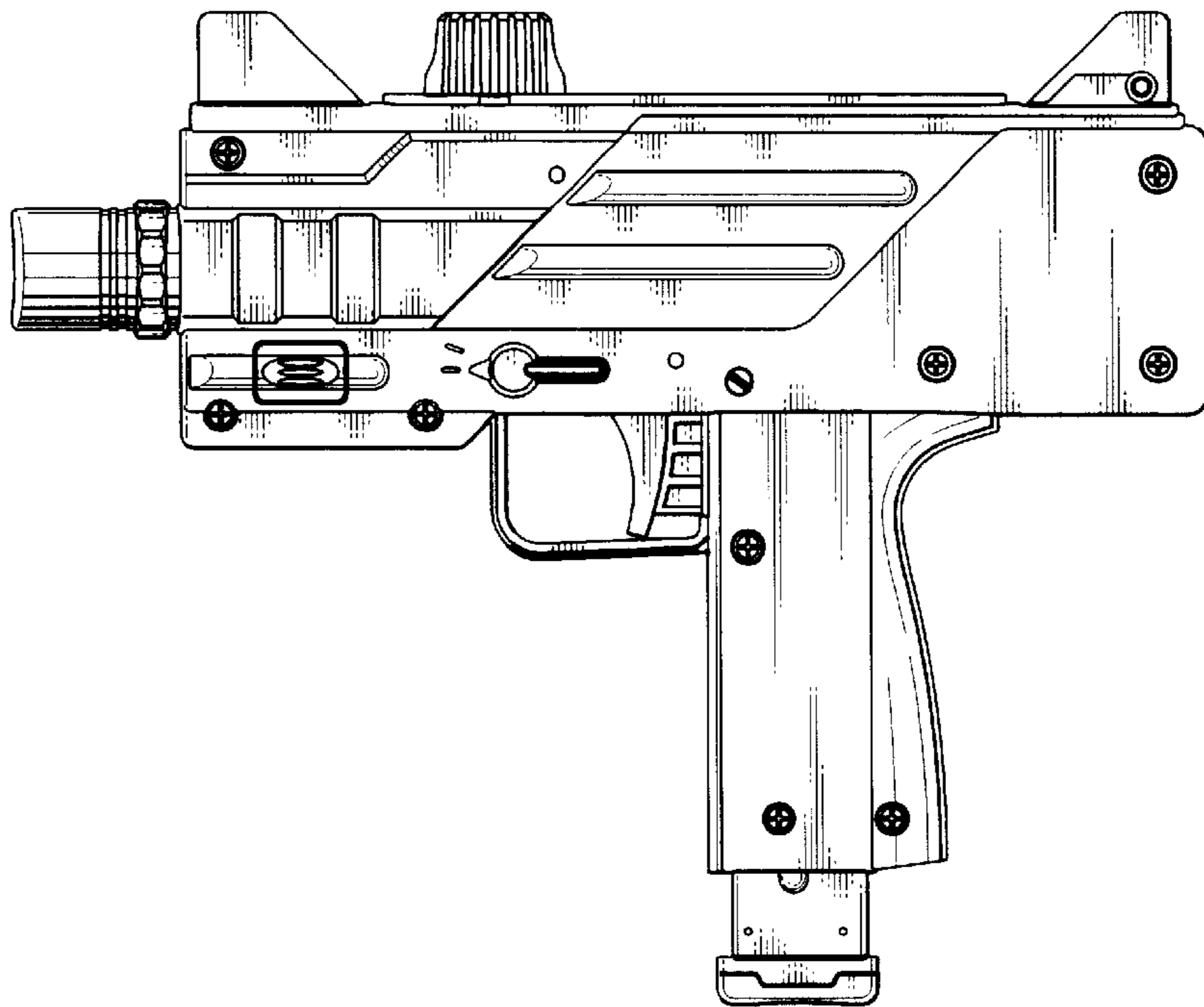


FIG.3

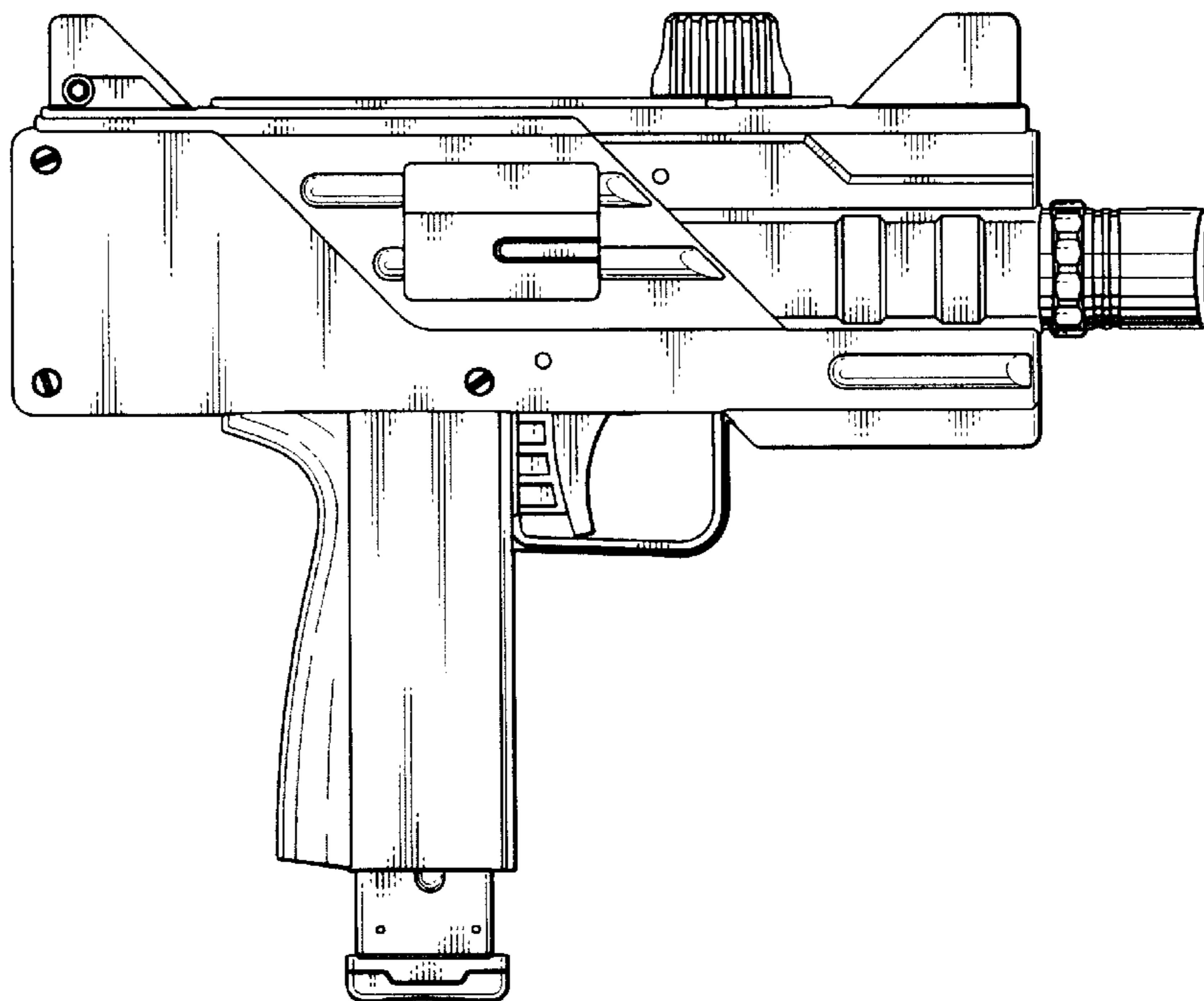


FIG.4

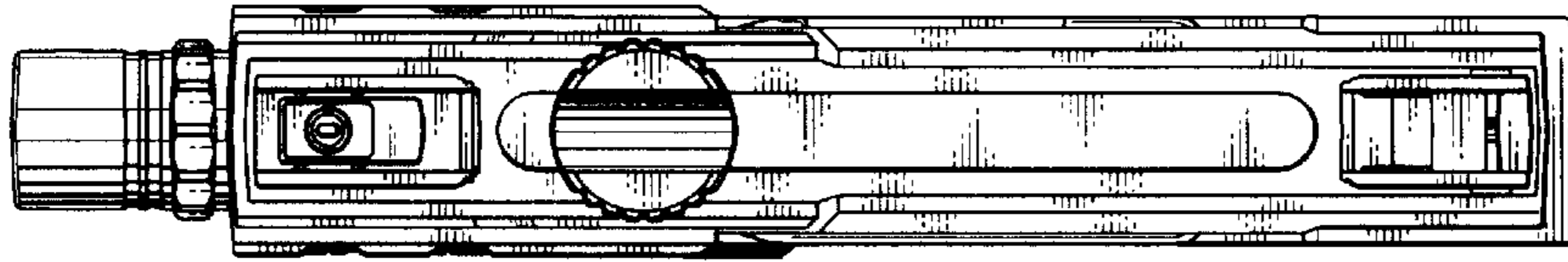


FIG.5

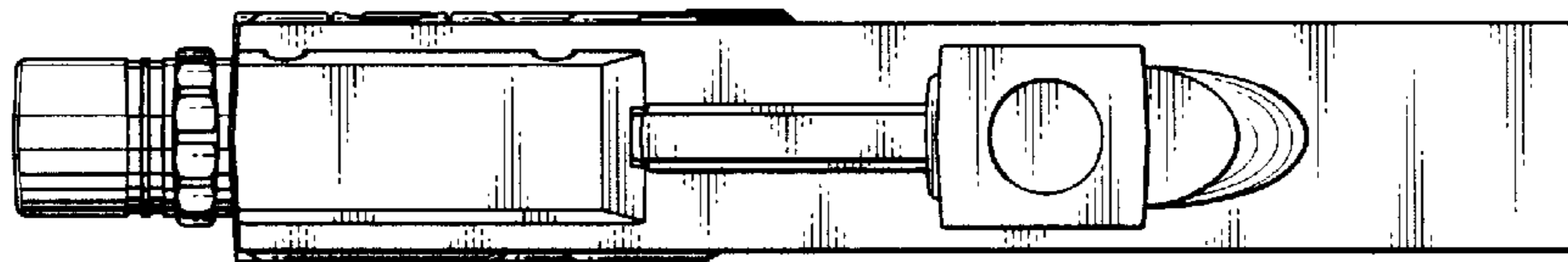


FIG.6

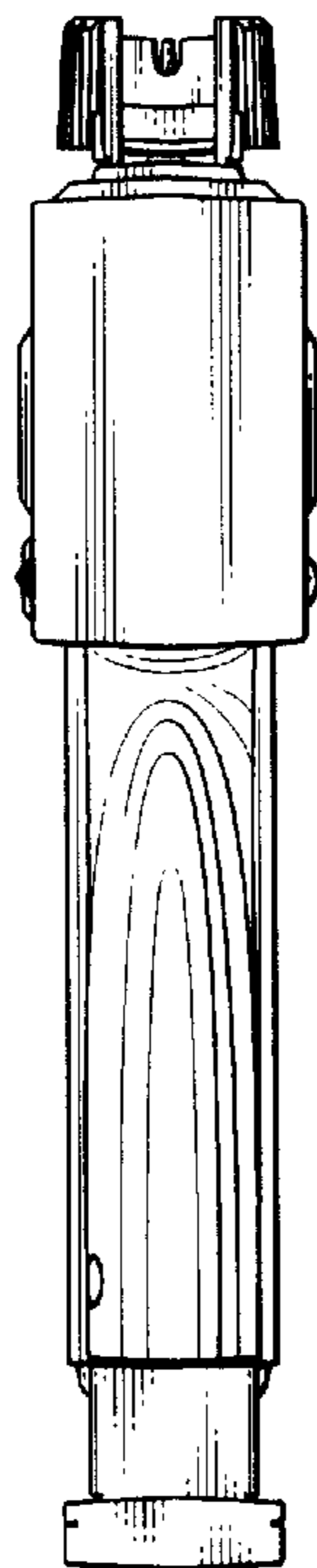


FIG.7

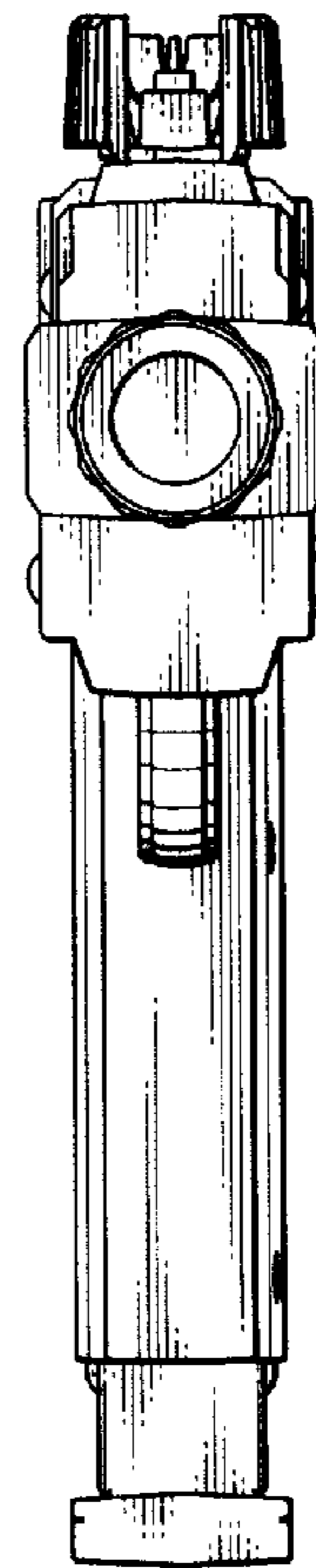


FIG. 8

