

US00D541791S

(12) **United States Design Patent**  
**Shen**

(10) **Patent No.:** **US D541,791 S**

(45) **Date of Patent:** **\*\* May 1, 2007**

(54) **WIRELESS TRANSCEIVER**

(75) Inventor: **Chun-Liang Shen, Ta Li (TW)**

(73) Assignee: **E-J Electronics Co., Ltd., Ta Li, Taichung Hsien (TW)**

(\*\*) Term: **14 Years**

(21) Appl. No.: **29/242,146**

(22) Filed: **Nov. 3, 2005**

(51) **LOC (8) Cl.** ..... **14-03**

(52) **U.S. Cl.** ..... **D14/240**

(58) **Field of Classification Search** ..... D14/240,  
D14/242, 246, 192, 223, 356, 358, 140.1,  
D14/140.4; D13/184, 123; 181/129-130;  
379/430, 431, 433.01, 420.03, 957, 52, 106.1,  
379/333-337, 387.01, 399.01, 413.02, 413.04;  
455/569.1, 510, 524; 439/717

See application file for complete search history.

(56) **References Cited**

**U.S. PATENT DOCUMENTS**

D339,807 S	*	9/1993	Tattari et al. ....	D14/240
D413,893 S	*	9/1999	Luzbetak et al. ....	D14/240
D424,065 S	*	5/2000	Soo .....	D14/240
D435,041 S	*	12/2000	Coker et al. ....	D14/240

D441,744 S	*	5/2001	Miyazaki .....	D14/240
D462,676 S	*	9/2002	Sodling .....	D14/240
D470,839 S	*	2/2003	Tuhkanen .....	D14/240
D473,222 S	*	4/2003	Chiou .....	D14/240
D478,580 S	*	8/2003	Schmidt et al. ....	D14/240
D484,120 S	*	12/2003	Yin et al. ....	D14/240
D510,930 S	*	10/2005	Deguchi .....	D14/240
D523,854 S	*	6/2006	Rinna et al. ....	D14/358

\* cited by examiner

*Primary Examiner*—Charles A. Rademaker

(74) *Attorney, Agent, or Firm*—Charles E. Baxley

(57) **CLAIM**

The ornamental design for a wireless transceiver, as shown and described.

**DESCRIPTION**

FIG. 1 is a perspective view of a wireless transceiver showing my new design;

FIG. 2 is a front elevational view thereof;

FIG. 3 is a rear elevational view thereof,

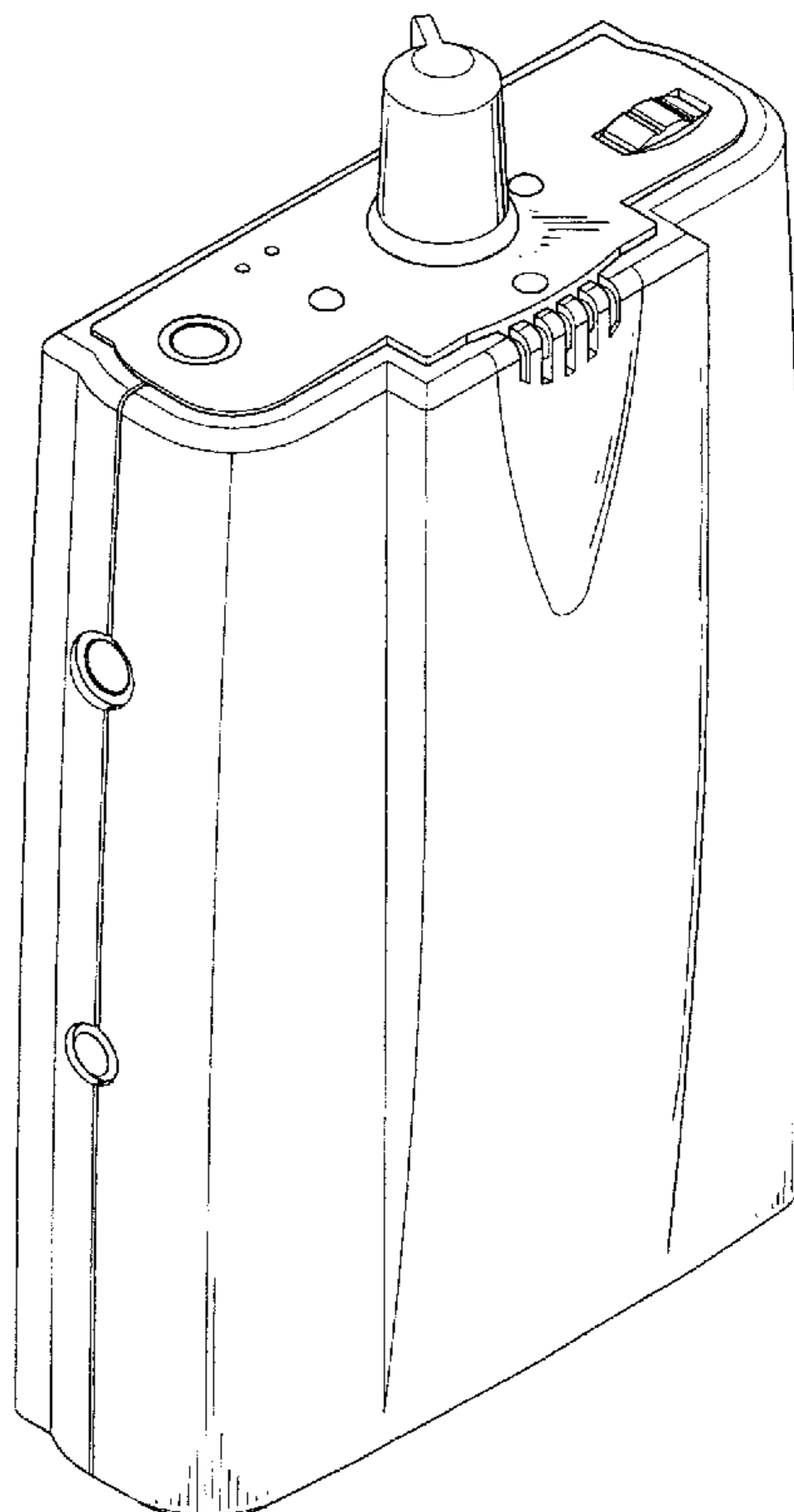
FIG. 4 is a left side elevational view thereof,

FIG. 5 is a right side elevational view thereof,

FIG. 6 is a top plan view thereof; and,

FIG. 7 is a bottom plan view thereof.

**1 Claim, 6 Drawing Sheets**



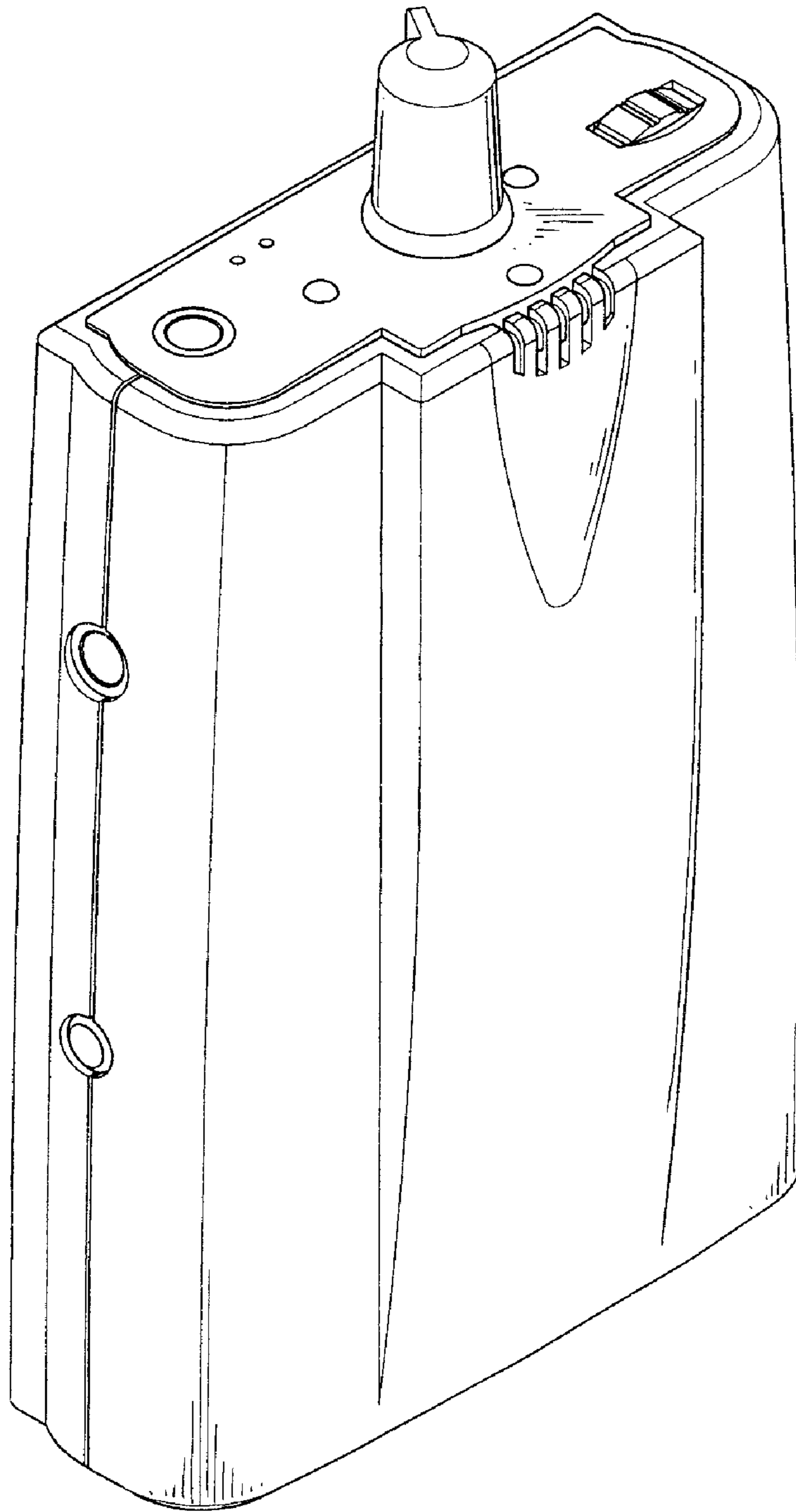


FIG. 1

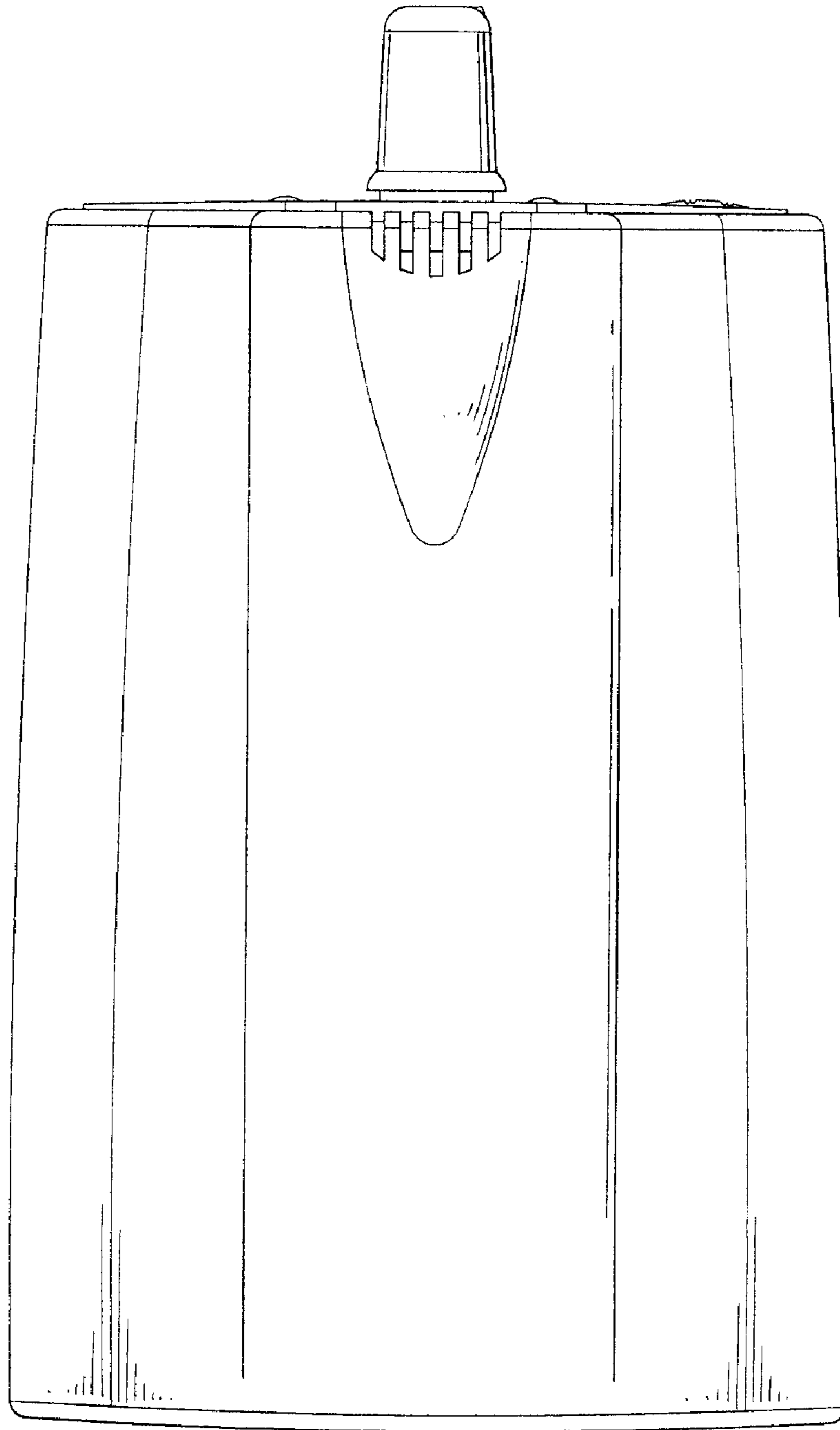


FIG. 2

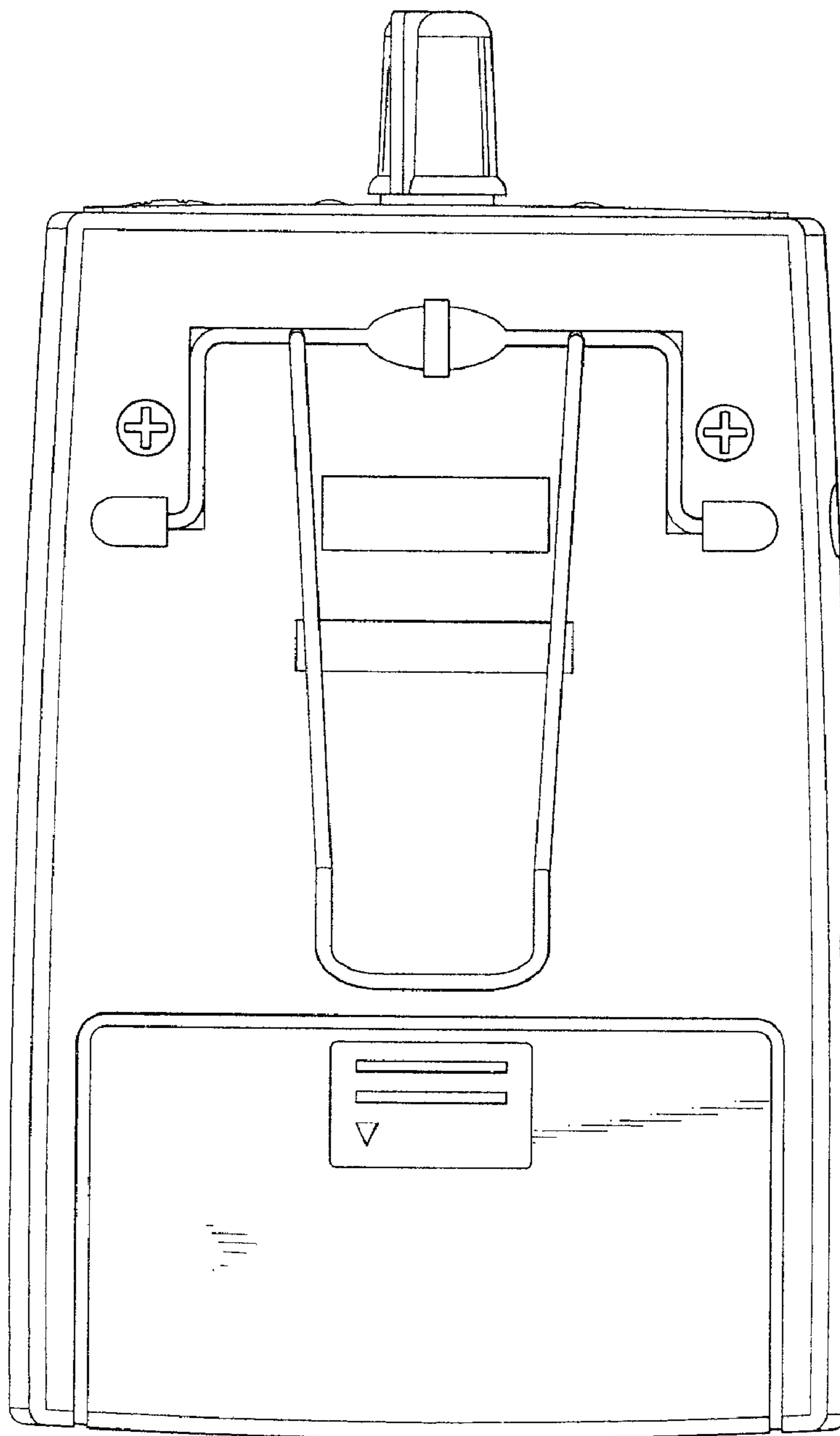


FIG. 3

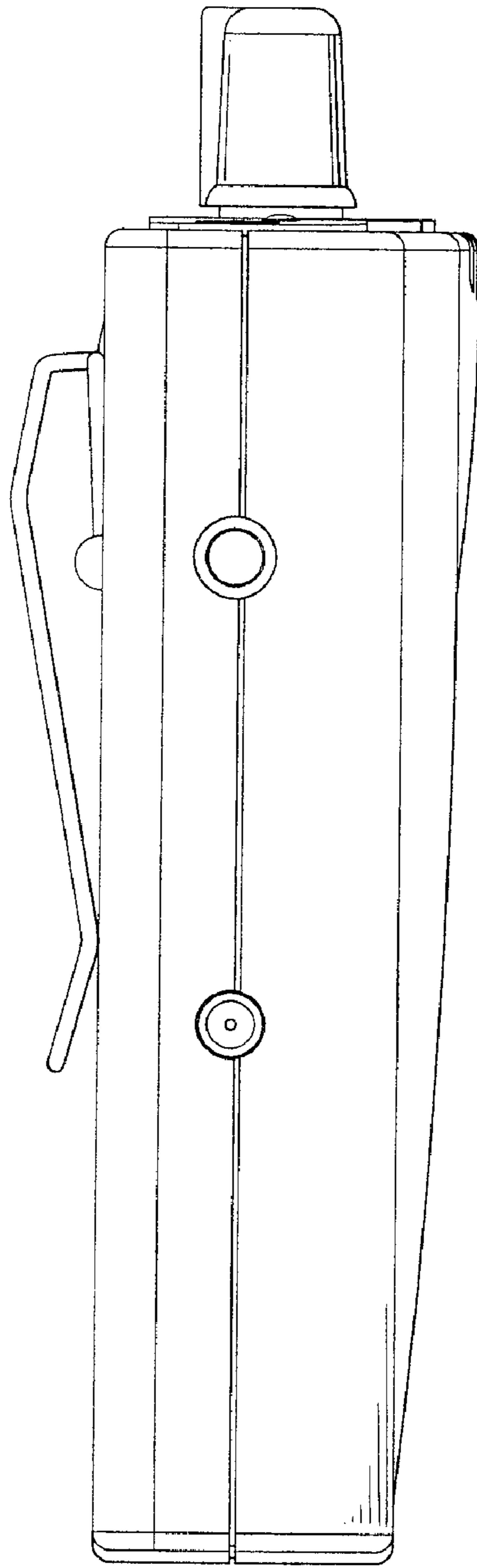


FIG. 4

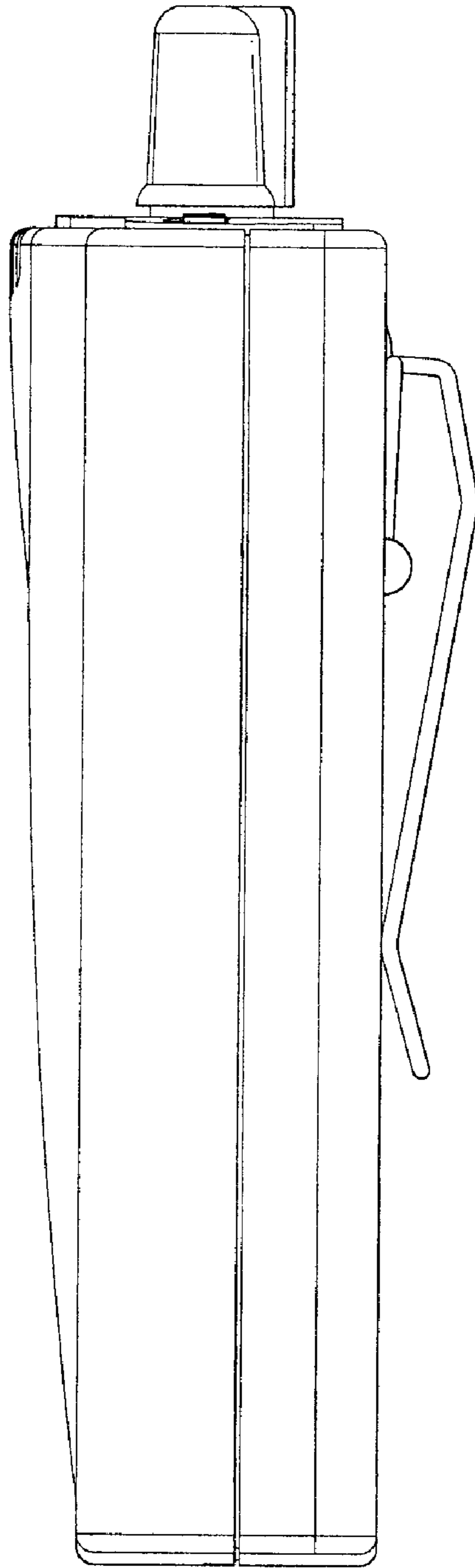


FIG. 5

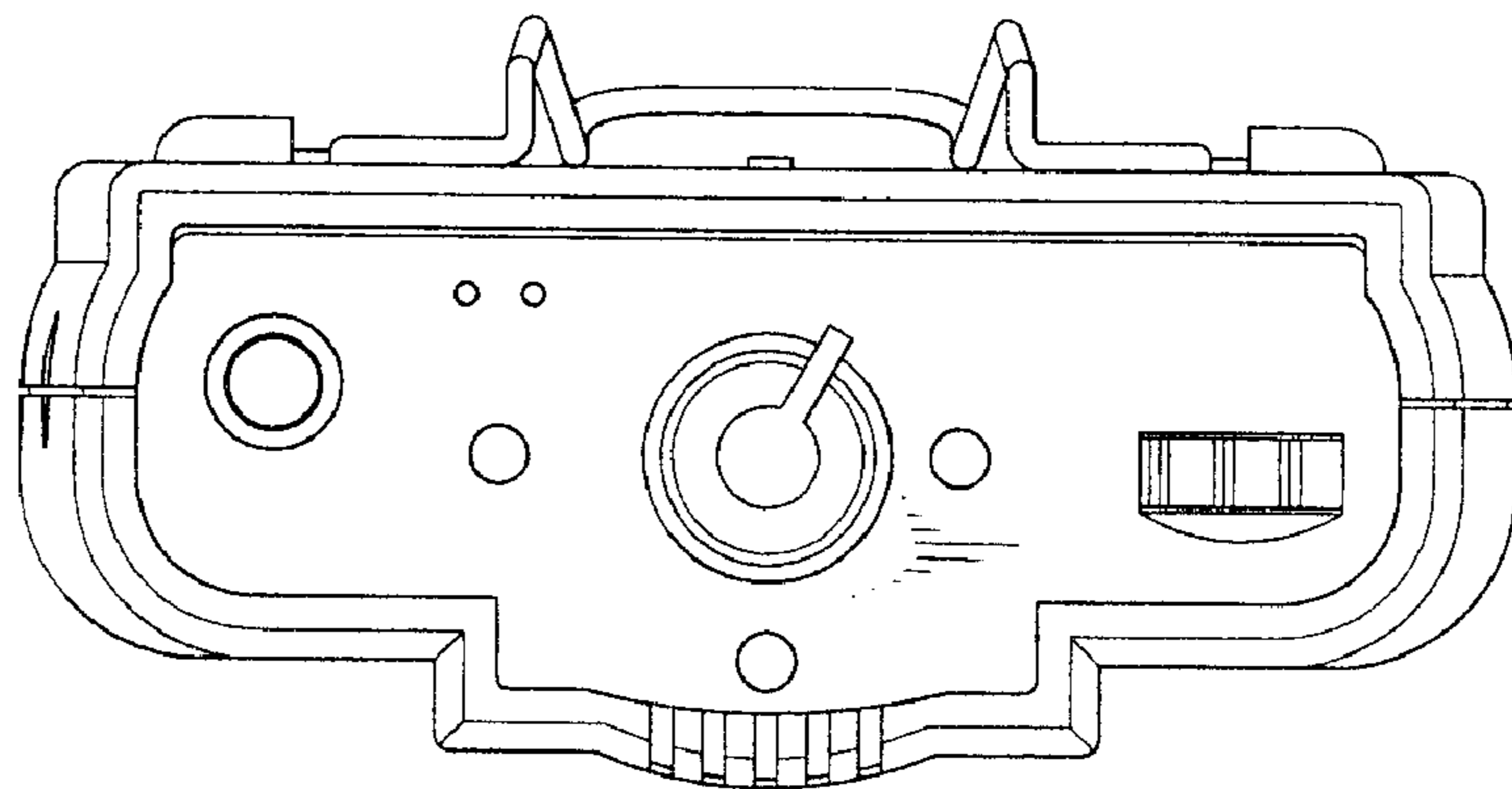


FIG. 6

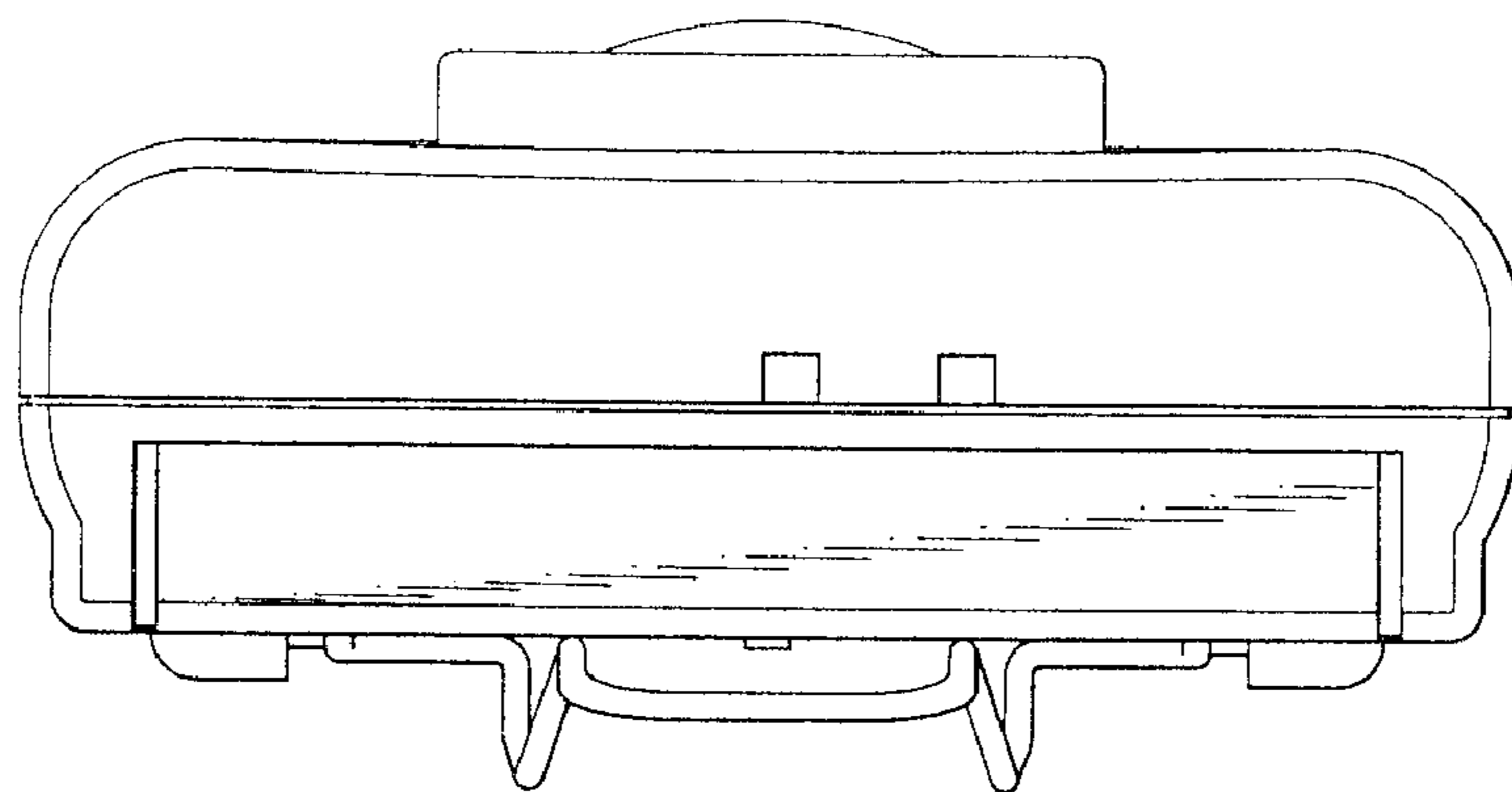


FIG. 7