



US00D541775S

(12) **United States Design Patent**
Kita

(10) **Patent No.:** **US D541,775 S**

(45) **Date of Patent:** **** May 1, 2007**

(54) **TELEVISION SET**

D357,245 S 4/1995 Usami et al.

(75) Inventor: **Toshiyuki Kita**, Osaka (JP)

(Continued)

(73) Assignee: **Sharp Kabushiki Kaisha**, Osaka (JP)

OTHER PUBLICATIONS

(**) Term: **14 Years**

Fuji et al., entitled, "Television Set," U.S. Appl. No. 29/228, 974, filed May 2, 2005, pending.

(21) Appl. No.: **29/253,456**

Kita, entitled, "Television Set," U.S. Appl. No. 29/229,686, filed May 11, 2005, pending.

(22) Filed: **Feb. 8, 2006**

Fuji et al., entitled, "Television Set," U.S. Appl. No. 29/228, 975, filed May 2, 2005, pending.

(30) **Foreign Application Priority Data**

(Continued)

Aug. 10, 2005 (JP) 2005-023182

Primary Examiner—Raphael Barkai

(51) **LOC (8) Cl.** **14-03**

(74) *Attorney, Agent, or Firm*—Nixon & Vanderhye, PC

(52) **U.S. Cl.** **D14/126**

(58) **Field of Classification Search** D14/125–134,
D14/239, 371, 136, 374–377; 312/7.2; 348/836,
348/838, 180, 184, 325, 739; 341/12; 248/917–924,
248/465; 345/104, 133, 156, 168, 87, 173;
720/605, 669, 600, 655; 369/99, 197; 455/344–347
See application file for complete search history.

(57) **CLAIM**

The ornamental design for an "television set," as shown and described.

(56) **References Cited**

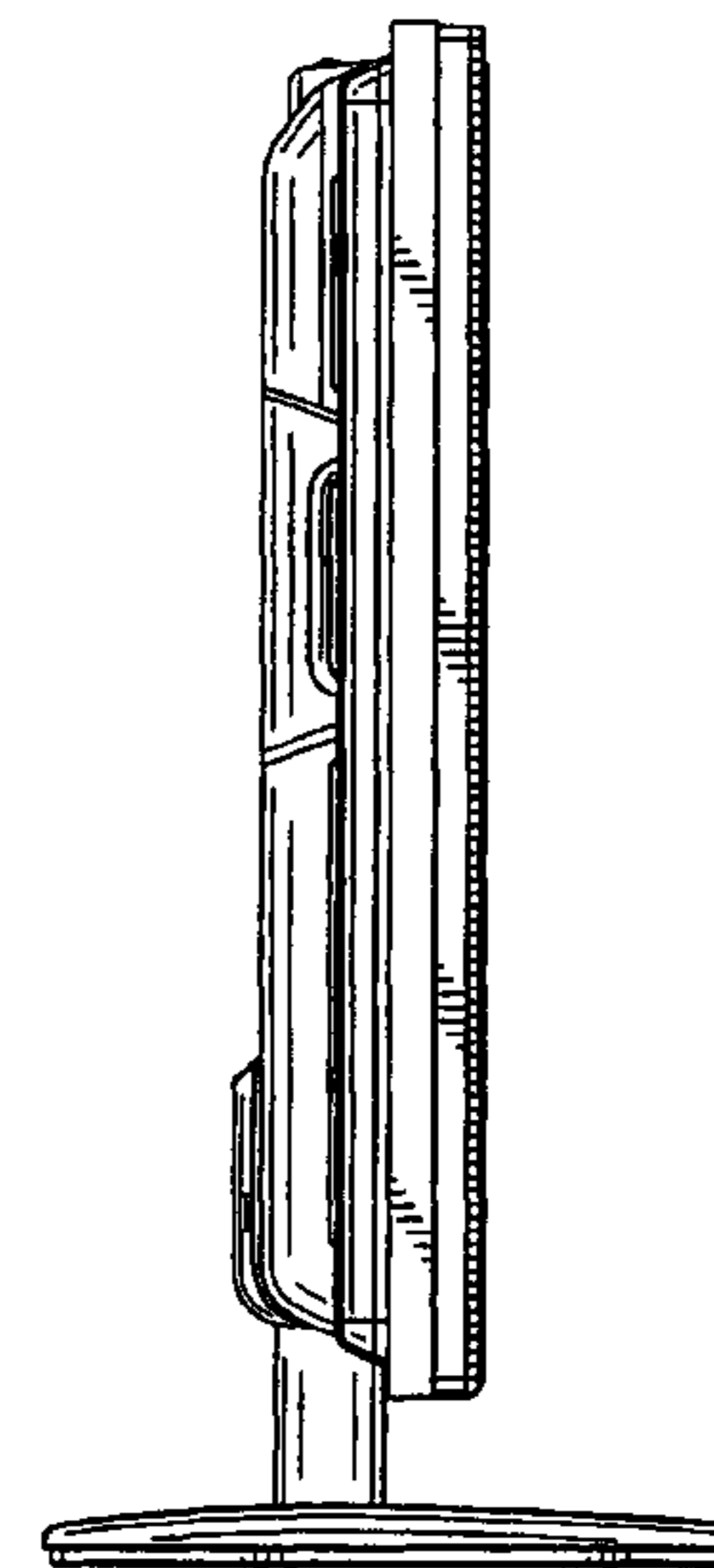
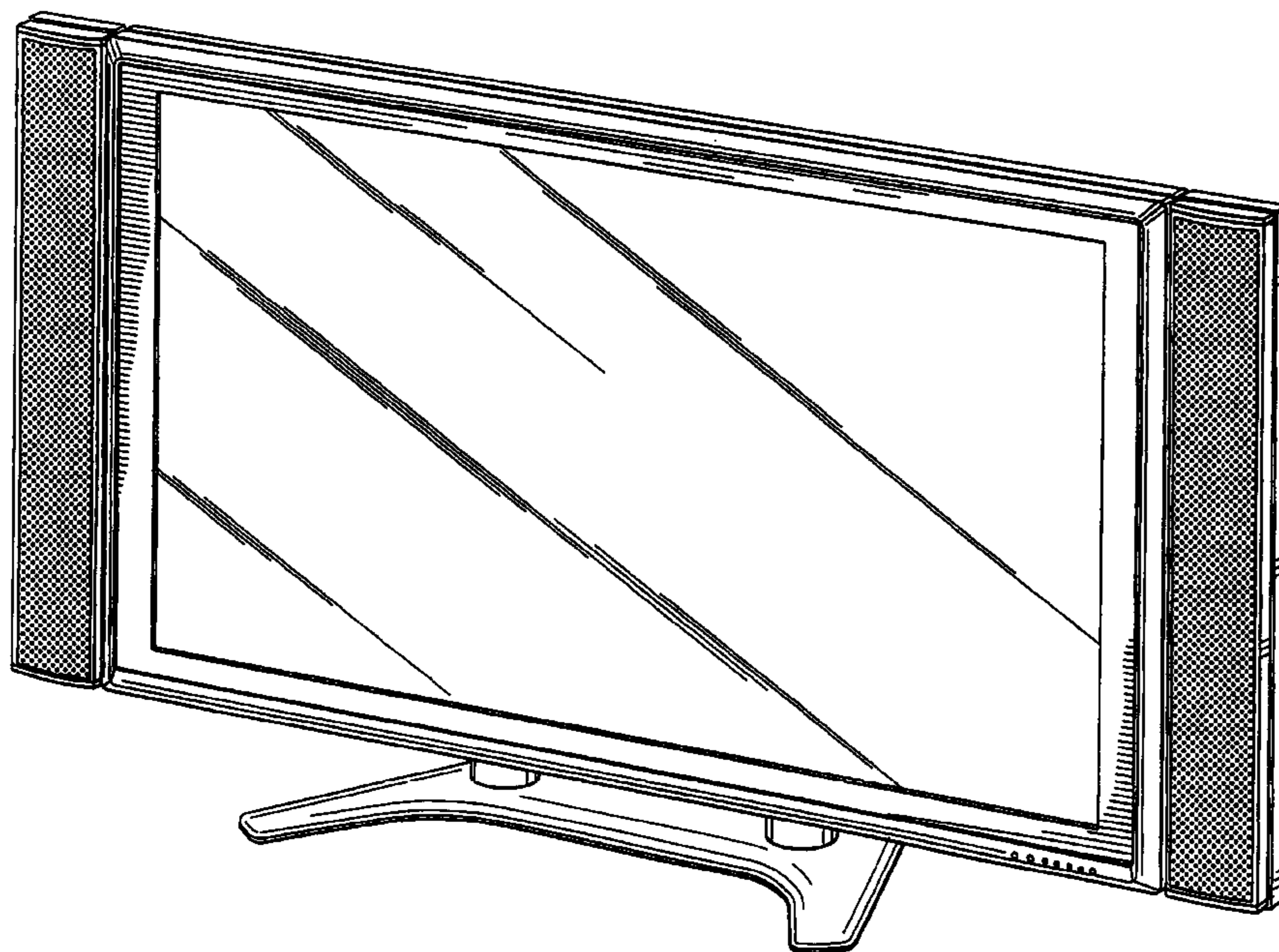
DESCRIPTION

U.S. PATENT DOCUMENTS

- D337,113 S 7/1993 Saito et al.
- D342,497 S 12/1993 Saito et al.
- D342,501 S 12/1993 Saeki et al.
- D351,155 S 10/1994 Usami et al.
- D351,156 S 10/1994 Usami et al.
- D357,244 S 4/1995 Usami et al.

FIG. 1 is a right front perspective view of the television set in accordance with my new design;
FIG. 2 is a front elevation view thereof;
FIG. 3 is a rear elevation view thereof;
FIG. 4 is a top plan view thereof;
FIG. 5 is a bottom plan view thereof;
FIG. 6 is a right side elevational view thereof; and,
FIG. 7 is a left side elevational view thereof.

1 Claim, 5 Drawing Sheets



U.S. PATENT DOCUMENTS

D357,472 S	4/1995	Usami et al.	
D369,596 S	5/1996	Akiyama et al.	
D372,026 S	7/1996	Akiyama et al.	
D373,583 S	9/1996	Akiyama et al.	
D417,659 S	* 12/1999	Takemasa	D14/374
D427,169 S	6/2000	Saeki et al.	
D429,227 S	8/2000	Shimizu	
D431,537 S	10/2000	Saeki et al.	
D432,101 S	* 10/2000	Oba	D14/126
D438,848 S	3/2001	Kita	
D439,224 S	3/2001	Kita	
D439,225 S	3/2001	Kita	
D453,747 S	2/2002	Kita	
D453,748 S	2/2002	Kita	
D456,370 S	4/2002	Kita	
D458,910 S	6/2002	Kita	
D492,269 S	6/2004	Kita	
D496,915 S	10/2004	Kita	
D497,351 S	10/2004	Kita	
D497,599 S	10/2004	Kita	
D499,076 S	11/2004	Kita	
D501,186 S	1/2005	Kita	
D501,654 S	2/2005	Kita	
D502,451 S	3/2005	Kita	
D502,931 S	3/2005	Kita	
D505,123 S	5/2005	Kita	
D510,731 S	5/2005	Kita	
D512,385 S	12/2005	Kita	
D512,386 S	12/2005	Kita	
D512,387 S	12/2005	Kita	

OTHER PUBLICATIONS

Kita, entitled, "Television Set," U.S. Appl. No. 29/232,697, filed Jun. 23, 2005, pending.
 Kita, entitled, "Television Set," U.S. Appl. No. 29/232,616, filed Jun. 22, 2005, pending.

Kita, entitled, "Television Set," U.S. Appl. No. 29/232,622, filed Jun. 22, 2005, pending.
 Kita, entitled, "Television Set," U.S. Appl. No. 29/232,620, filed Jun. 22, 2005, pending.
 Kita, entitled, "Television Set," U.S. Appl. No. 29/232,607, filed Jun. 22, 2005, pending.
 Kita, entitled, "Television Set," U.S. Appl. No. 29/232,621, filed Jun. 22, 2005, pending.
 Kita, entitled, "Television Set," U.S. Appl. No. 29/232,614, filed Jun. 22, 2005, pending.
 Totsuka, entitled, "Television Set," U.S. Appl. No. 29/245,754, filed Dec. 29, 2005, pending.
 Kita, entitled, "Television Set," U.S. Appl. No. 29/243,346, filed Nov. 23, 2005, pending.
 Kita, entitled, "Television Set," U.S. Appl. No. 29/243,348, filed Nov. 23, 2005, pending.
 Kita, entitled, "Television Set," U.S. Appl. No. 29/243,347, filed Nov. 23, 2005, pending.
 Kita, entitled, "Television Set," U.S. Appl. No. 29/243,703, filed Nov. 30, 2005, pending.
 Kita, entitled, "Television Set," U.S. Appl. No. 29/243,704, filed Nov. 30, 2005, pending.
 Kita, entitled, "Television Set," U.S. Appl. No. 29/243,707, filed Nov. 30, 2005, pending.
 Kita, entitled, "Television Set," U.S. Appl. No. 29/245,015, filed Dec. 19, 2005, pending.
 Kita, entitled, "Television Set," U.S. Appl. No. 29/253,455, filed Feb. 8, 2006, pending.
 Kita, entitled, "Television Set," U.S. Appl. No. 29/243,350, filed Nov. 23, 2005, pending.
 Kita, entitled, "Externally Exposed Surfaces of a Speaker or a Television Set," U.S. Appl. No. 29/243,705, filed Nov. 30, 2005, pending.

* cited by examiner

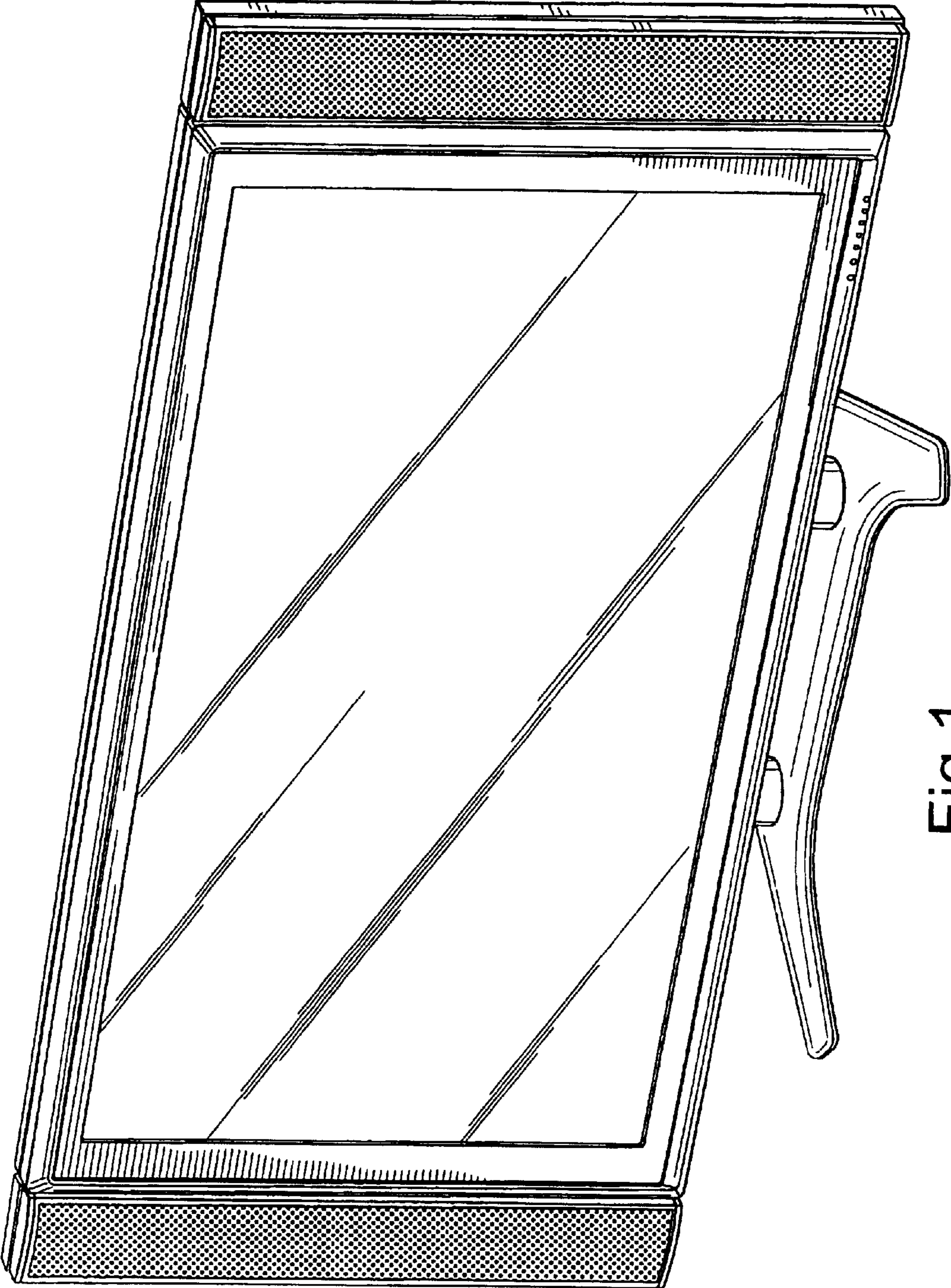


Fig. 1

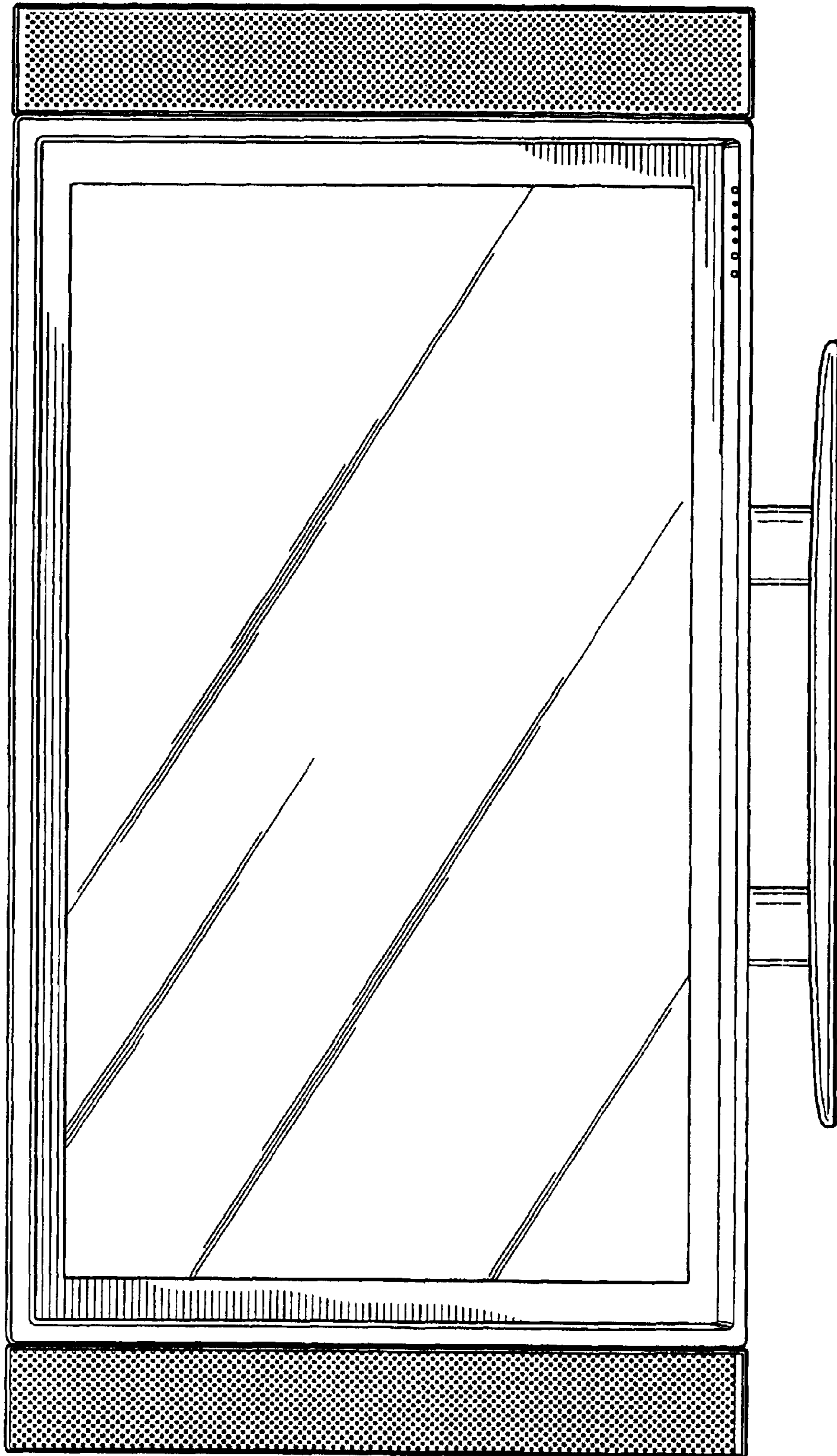


Fig.2

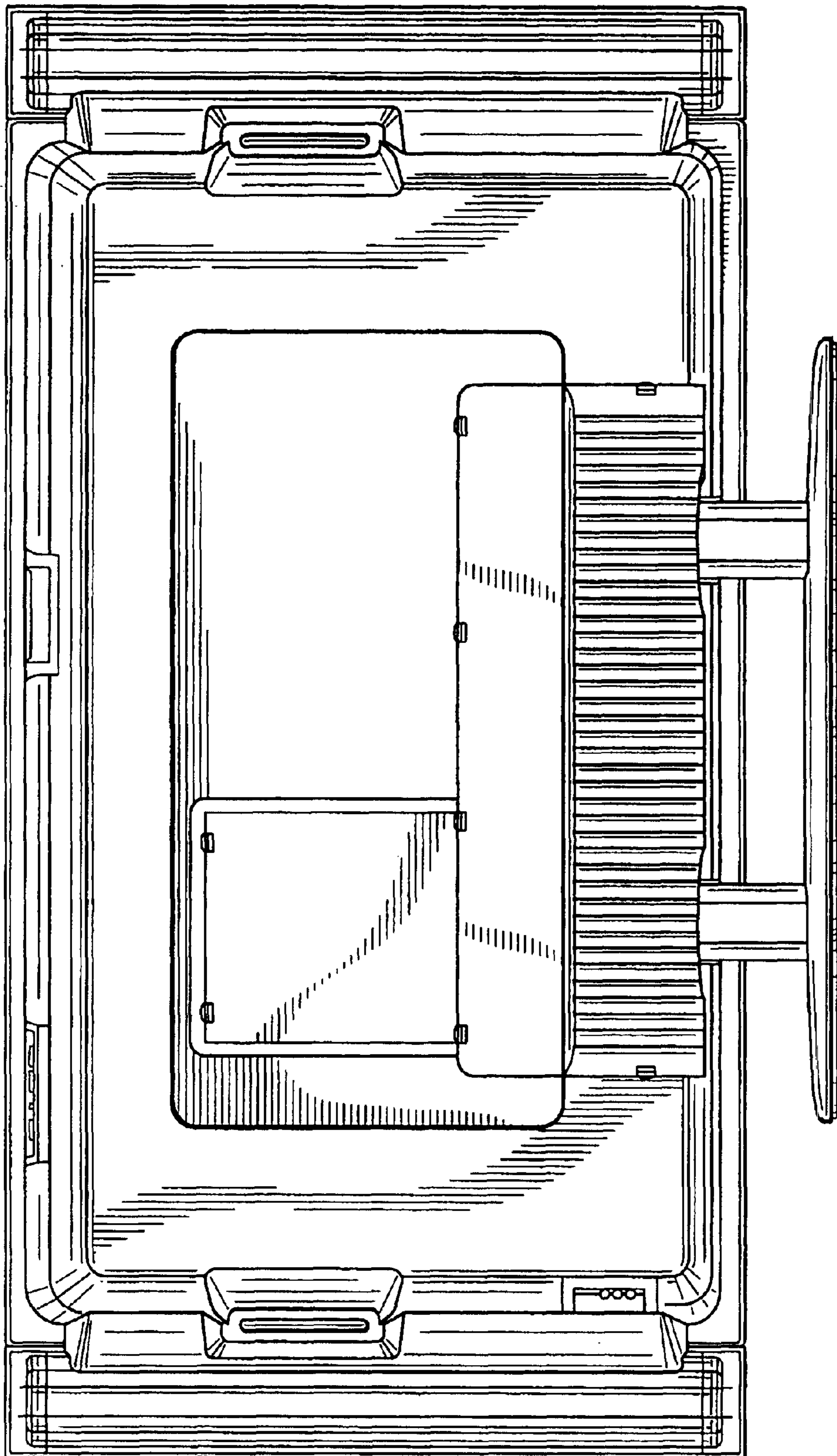


Fig.3

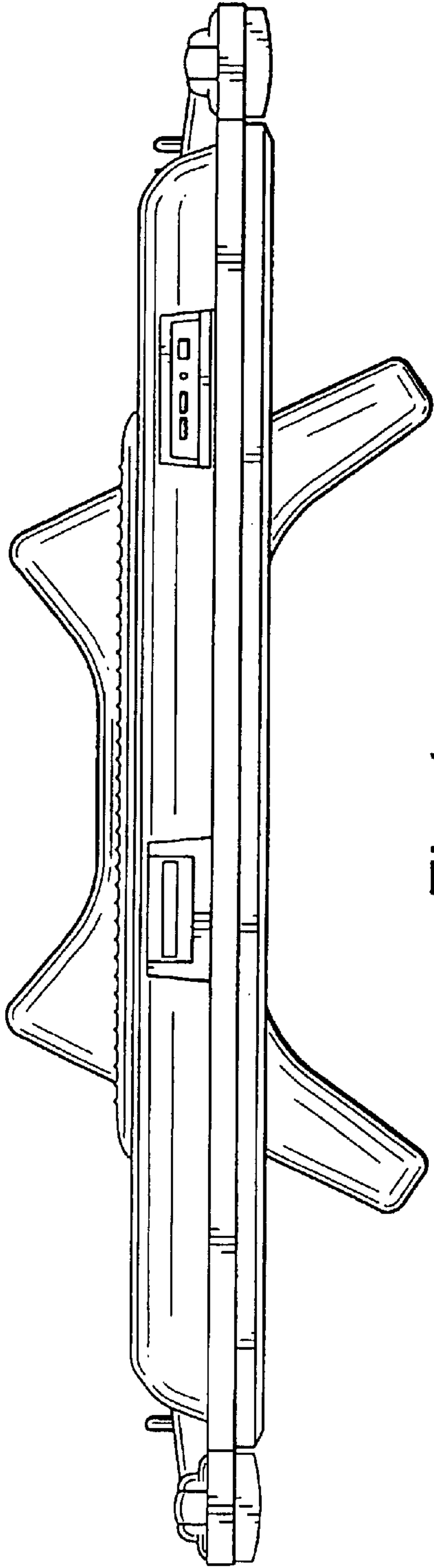


Fig.4

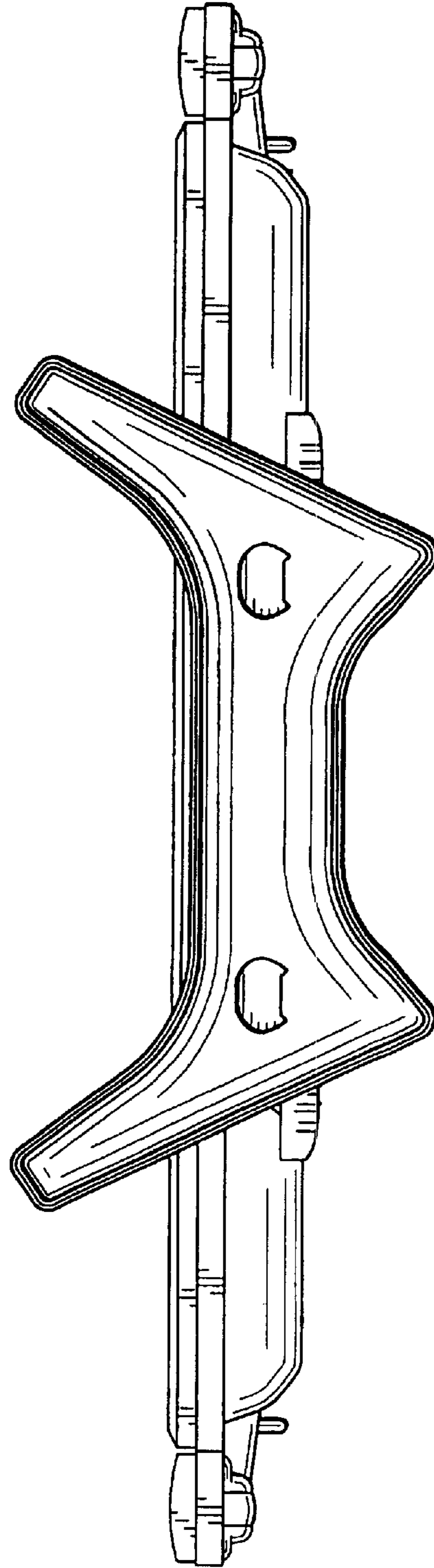


Fig.5

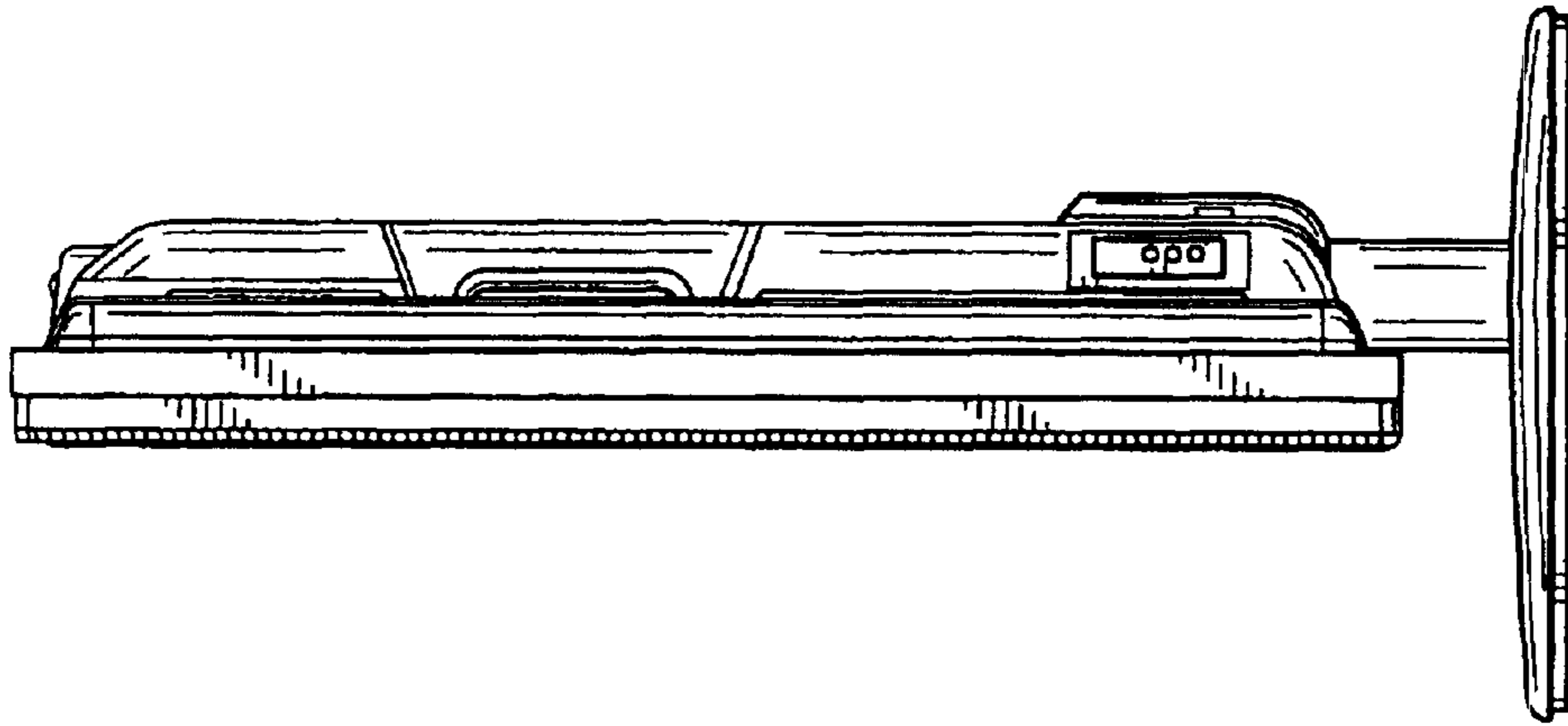


Fig.7

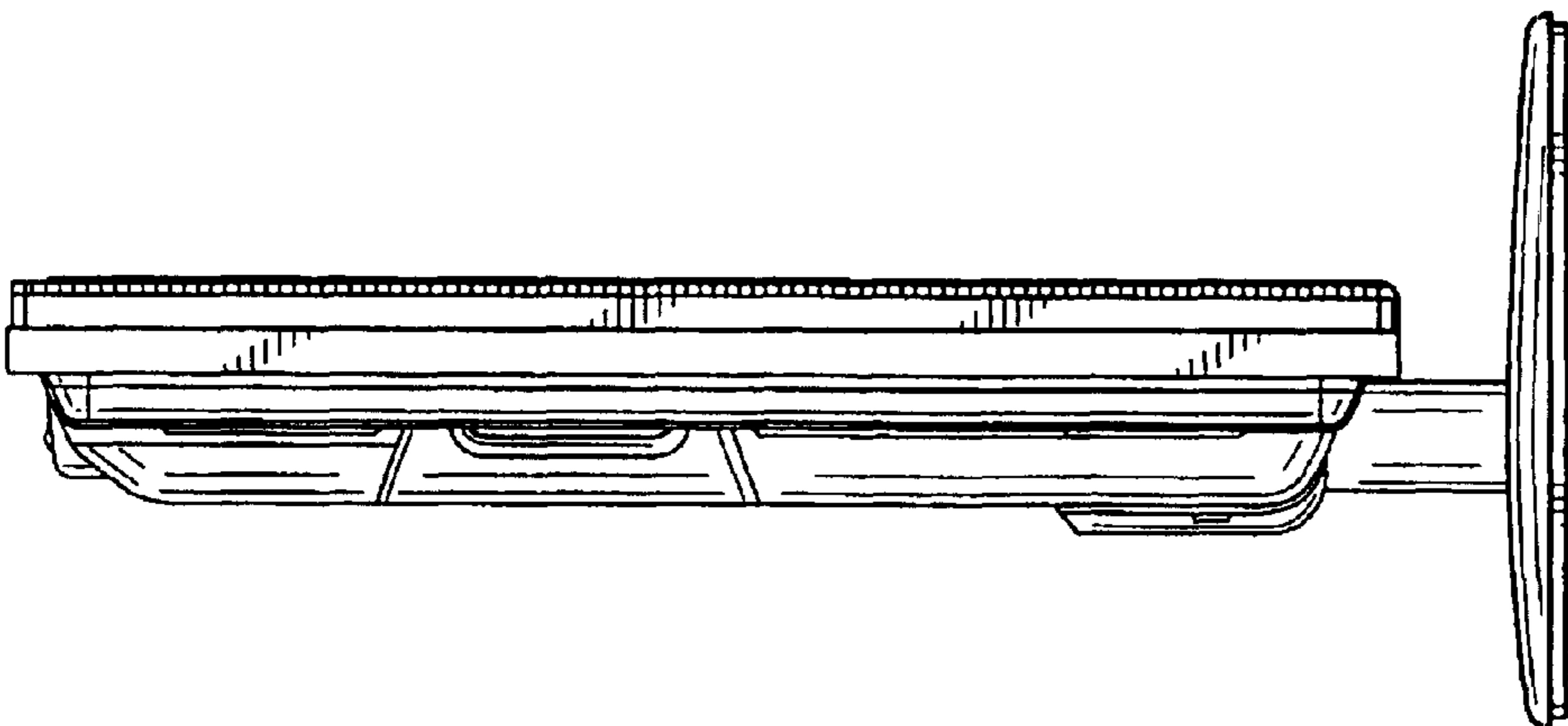


Fig.6