

US00D541774S

(12) **United States Design Patent** (10) **Patent No.:** **US D541,774 S**
Kita (45) **Date of Patent:** **** May 1, 2007**

(54) **TELEVISION SET**
(75) Inventor: **Toshiyuki Kita**, Osaka (JP)
(73) Assignee: **Sharp Kabushiki Kaisha**, Osaka (JP)
(**) Term: **14 Years**
(21) Appl. No.: **29/253,455**
(22) Filed: **Feb. 8, 2006**
(30) **Foreign Application Priority Data**
Aug. 9, 2005 (JP) 2005-023057
(51) **LOC (8) Cl.** **14-03**
(52) **U.S. Cl.** **D14/126; D14/134**
(58) **Field of Classification Search** D14/125-134,
D14/239, 371, 136, 374-377; 312/7.2; 348/836,
348/838, 180, 184, 325, 739; 341/12; 248/917-924,
248/465; 345/104, 133, 156, 168, 87, 173;
720/605, 669, 600, 655; 369/99, 197; 455/344-347
See application file for complete search history.

D458,910 S 6/2002 Kita
D472,532 S * 4/2003 Niitsu D14/126
D483,020 S * 12/2003 Nagao et al. D14/126
D492,269 S 6/2004 Kita
D496,915 S 10/2004 Kita
D497,351 S 10/2004 Kita
D497,599 S 10/2004 Kita
D499,076 S 11/2004 Kita
D501,186 S 1/2005 Kita
D501,654 S 2/2005 Kita
D502,451 S 3/2005 Kita
D502,931 S 3/2005 Kita
D505,123 S 5/2005 Kita
D510,731 S 10/2005 Kita
D512,385 S 12/2005 Kita
D512,386 S 12/2005 Kita
D512,387 S 12/2005 Kita

(56) **References Cited**
U.S. PATENT DOCUMENTS

D337,113 S 7/1993 Saito
D342,497 S 12/1993 Saito et al.
D342,501 S 12/1993 Saeki et al.
D351,155 S 10/1994 Usami et al.
D351,156 S 10/1994 Usami et al.
D357,244 S 4/1995 Usami et al.
D357,245 S 4/1995 Usami et al.
D357,472 S 4/1995 Usami et al.
D369,596 S 5/1996 Akiyama et al.
D372,026 S 7/1996 Akiyama et al.
D373,583 S 9/1996 Akiyama et al.
D427,169 S 6/2000 Saeki et al.
D429,227 S 8/2000 Shimizu
D431,537 S 10/2000 Saeki et al.
D438,848 S 3/2001 Kita
D439,224 S 3/2001 Kita
D439,225 S 3/2001 Kita
D453,747 S 2/2002 Kita
D453,748 S 2/2002 Kita
D456,370 S 4/2002 Kita

OTHER PUBLICATIONS

Fuji et al., entitled, "Television Set," U.S. Appl. No. 29/228, 974, filed May 2, 2005, pending.

(Continued)

Primary Examiner—Raphael Barkai
(74) *Attorney, Agent, or Firm*—Nixon & Vanderhye, PC

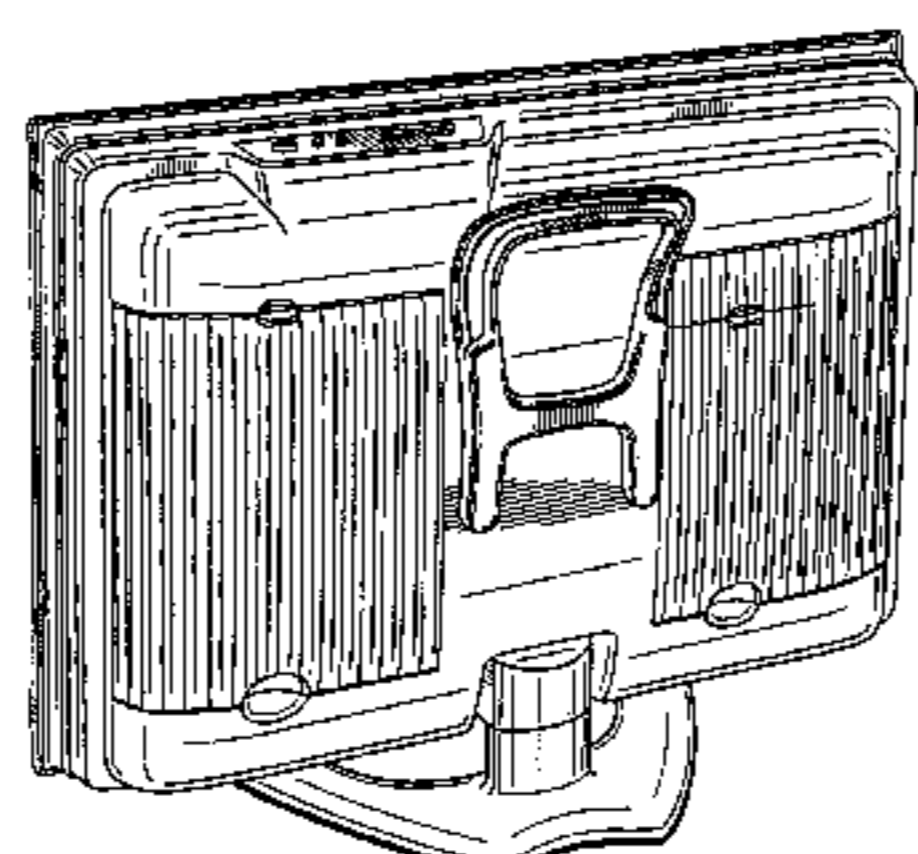
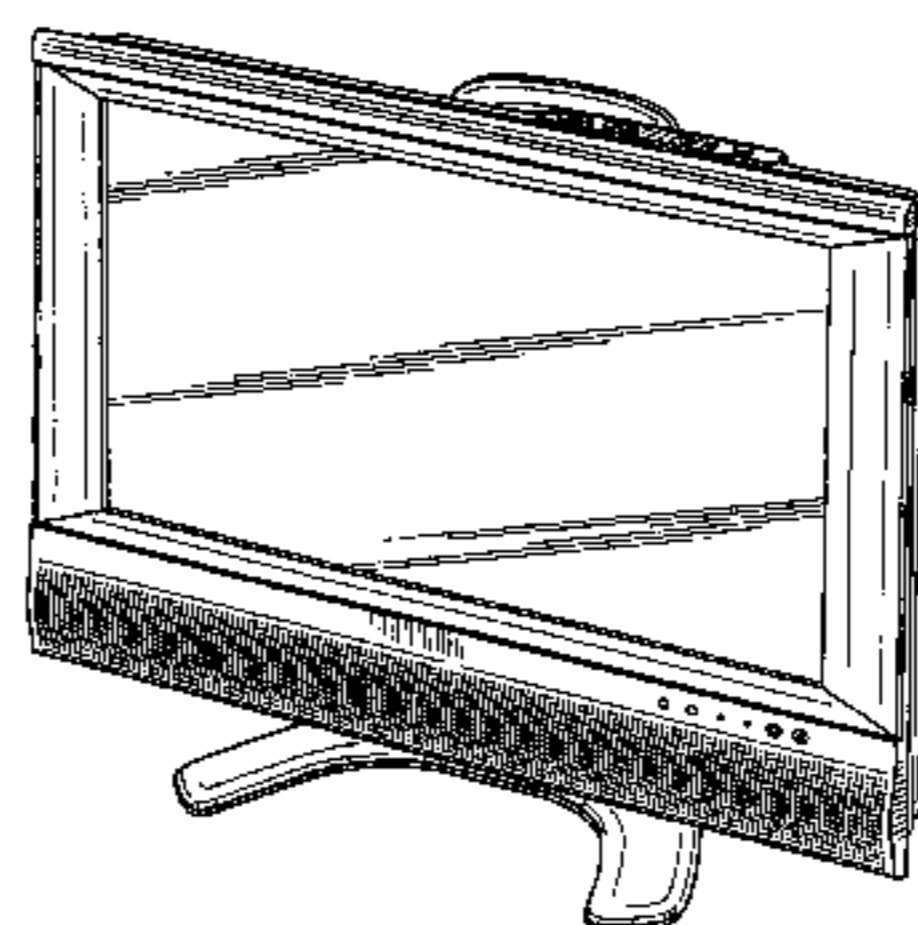
(57) **CLAIM**

The ornamental design for an "television set," as shown and described.

DESCRIPTION

FIG. 1 is a right front perspective view of the television set in accordance with my new design;
FIG. 2 is a front elevation view thereof;
FIG. 3 is a rear elevation view thereof;
FIG. 4 is a top plan view thereof;
FIG. 5 is a bottom plan view thereof;
FIG. 6 is a right side elevational view thereof;
FIG. 7 is a left side elevational view thereof; and,
FIG. 8 is a right rear perspective view thereof.

1 Claim, 6 Drawing Sheets



OTHER PUBLICATIONS

Kita, entitled, "Television Set," U.S. Appl. No. 29/229,686, filed May 11, 2005, pending.

Fuji et al., entitled, "Television Set," U.S. Appl. No. 29/228,975, filed May 2, 2005, pending.

Kita, entitled, "Television Set," U.S. Appl. No. 29/232,697, filed Jun. 23, 2005, pending.

Kita, entitled, "Television Set," U.S. Appl. No. 29/232,616, filed Jun. 22, 2005, pending.

Kita, entitled, "Television Set," U.S. Appl. No. 29/232,622, filed Jun. 22, 2005, pending.

Kita, entitled, "Television Set," U.S. Appl. No. 29/232,620, filed Jun. 22, 2005, pending.

Kita, entitled, "Television Set," U.S. Appl. No. 29/232,607, filed Jun. 22, 2005, pending.

Kita, entitled, "Television Set," U.S. Appl. No. 29/232,621, filed Jun. 22, 2005, pending.

Kita, entitled, "Television Set," U.S. Appl. No. 29/232,614, filed Jun. 22, 2005, pending.

Totsuka, entitled, "Television Set," U.S. Appl. No. 29/245,754, filed Dec. 29, 2005, pending.

Kita, entitled, "Television Set," U.S. Appl. No. 29/243,346, filed Nov. 23, 2005, pending.

Kita, entitled, "Television Set," U.S. Appl. No. 29/243,348, filed Nov. 23, 2005, pending.

Kita, entitled, "Television Set," U.S. Appl. No. 29/243,347, filed Nov. 23, 2005, pending.

Kita, entitled, "Television Set," U.S. Appl. No. 29/243,703, filed Nov. 30, 2005, pending.

Kita, entitled, "Television Set," U.S. Appl. No. 29/243,704, filed Nov. 30, 2005, pending.

Kita, entitled, "Television Set," U.S. Appl. No. 29/243,707, filed Nov. 30, 2005, pending.

Kita, entitled, "Television Set," U.S. Appl. No. 29/245,015, filed Dec. 19, 2005, pending.

Kita, entitled, "Television Set," U.S. Appl. No. 29/253,456, filed Feb. 8, 2006, pending.

Kita, entitled, "Television Set," U.S. Appl. No. 29/243,350, filed Nov. 23, 2005, pending.

Kita, entitled, "Externally Exposed Surfaces of a Speaker for a Television Set," U.S. Appl. No. 29/243,705, filed Nov. 30, 2005, pending.

* cited by examiner

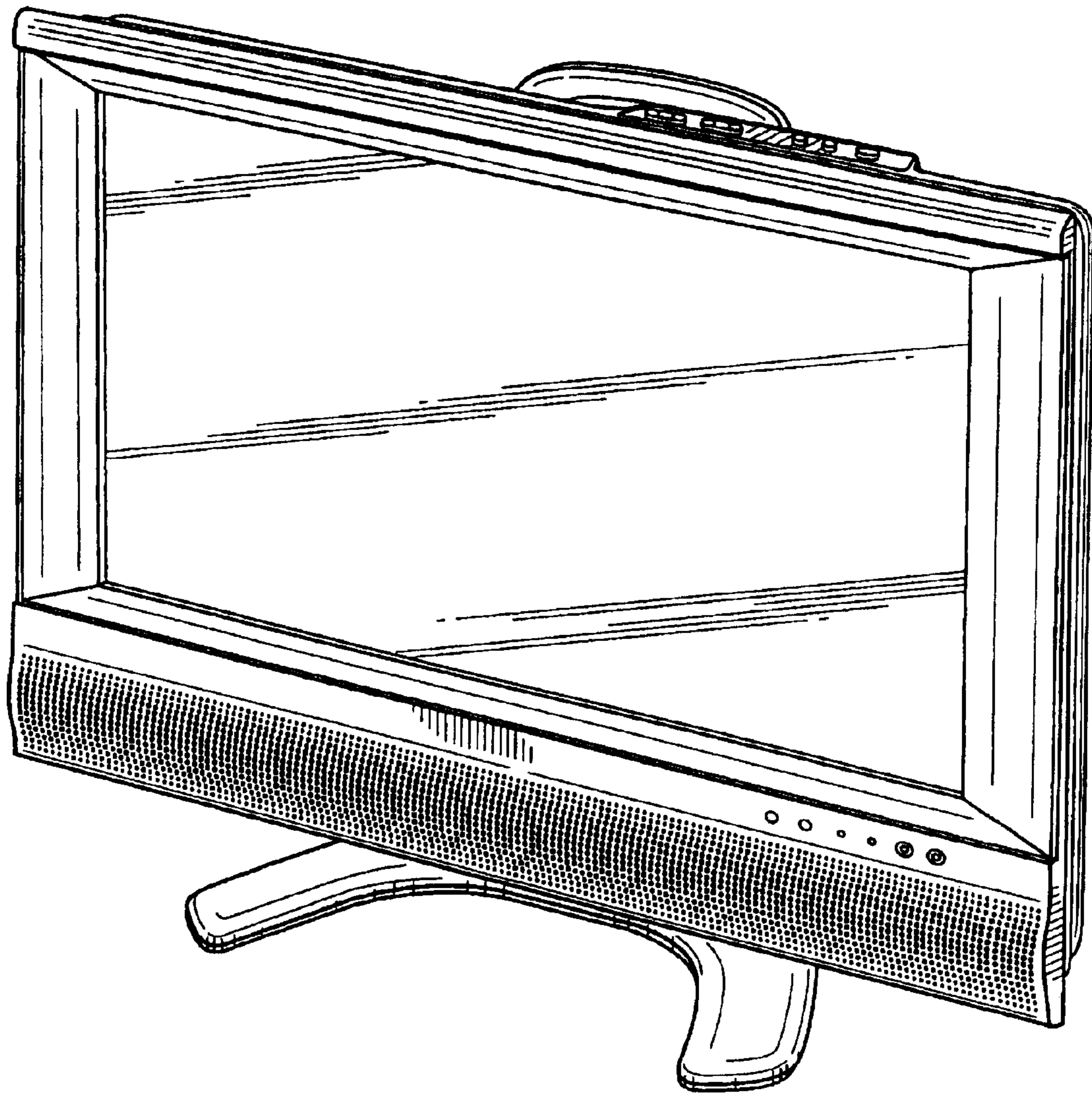


Fig. 1

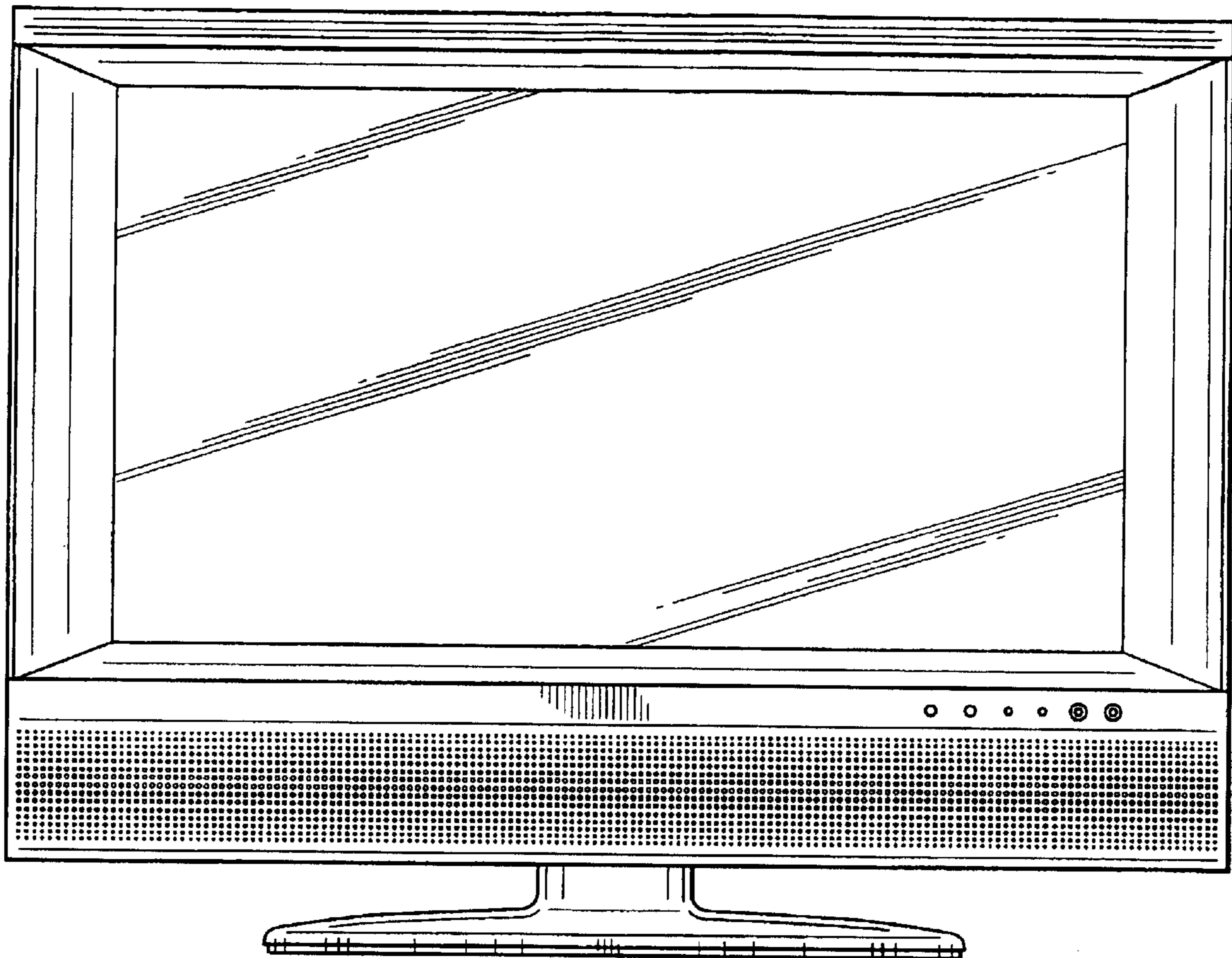


Fig. 2

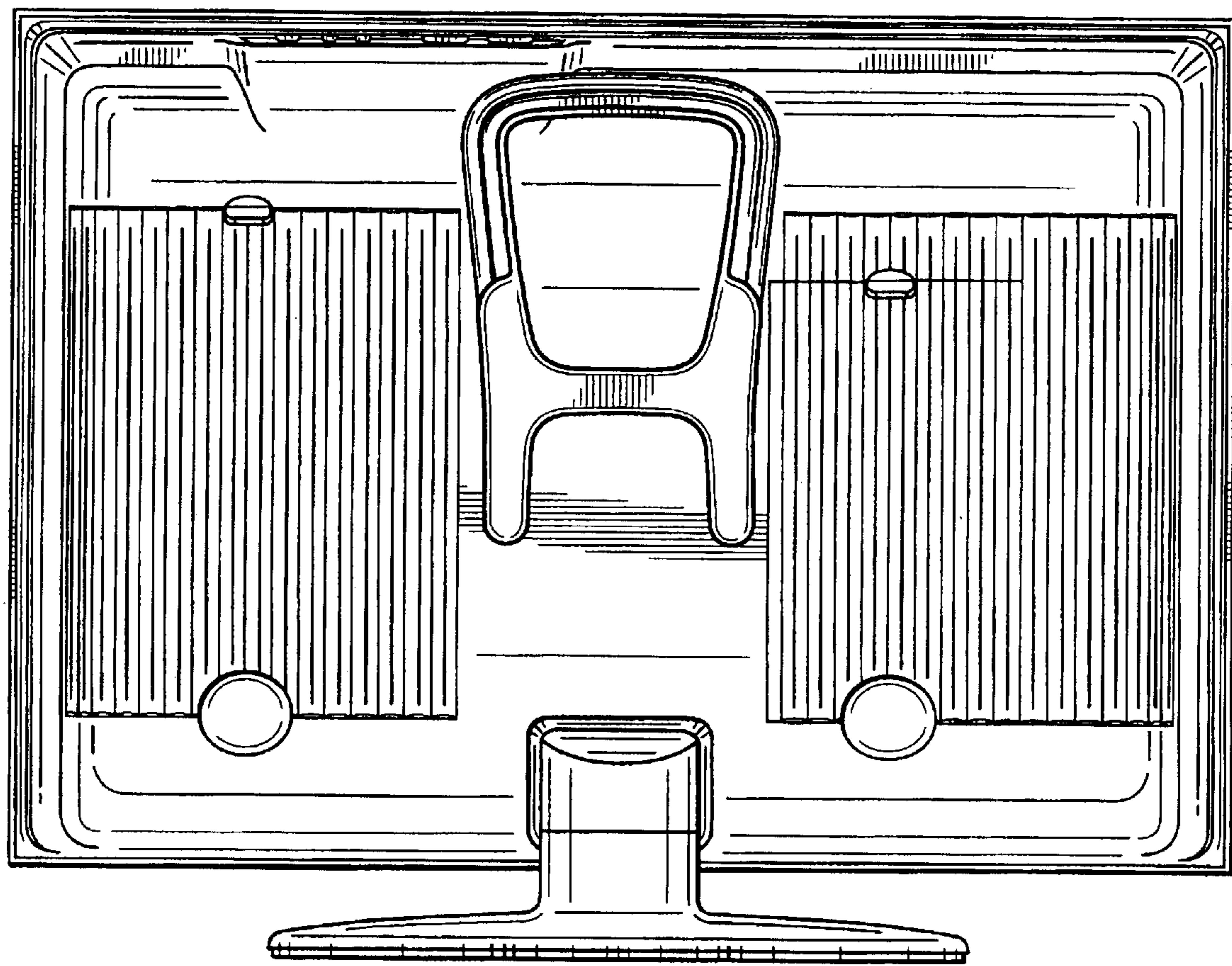


Fig. 3

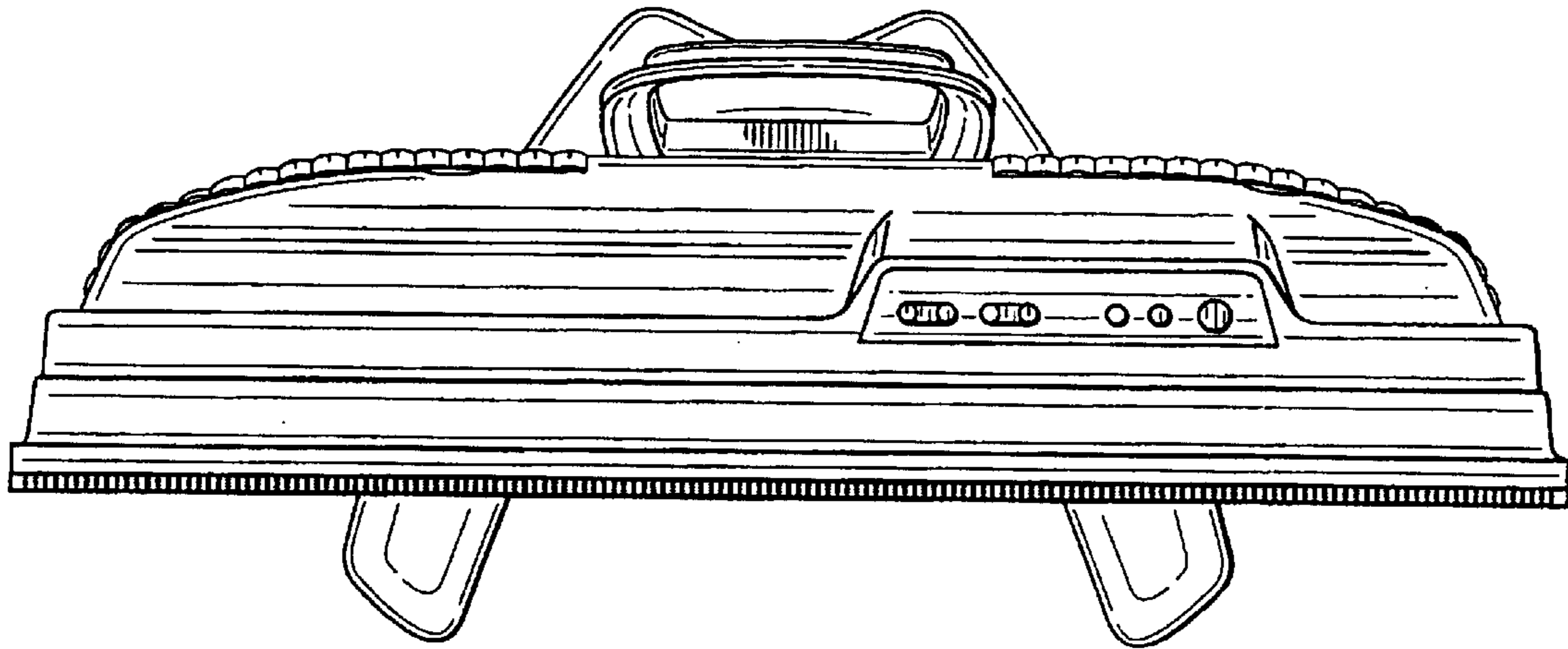


Fig. 4

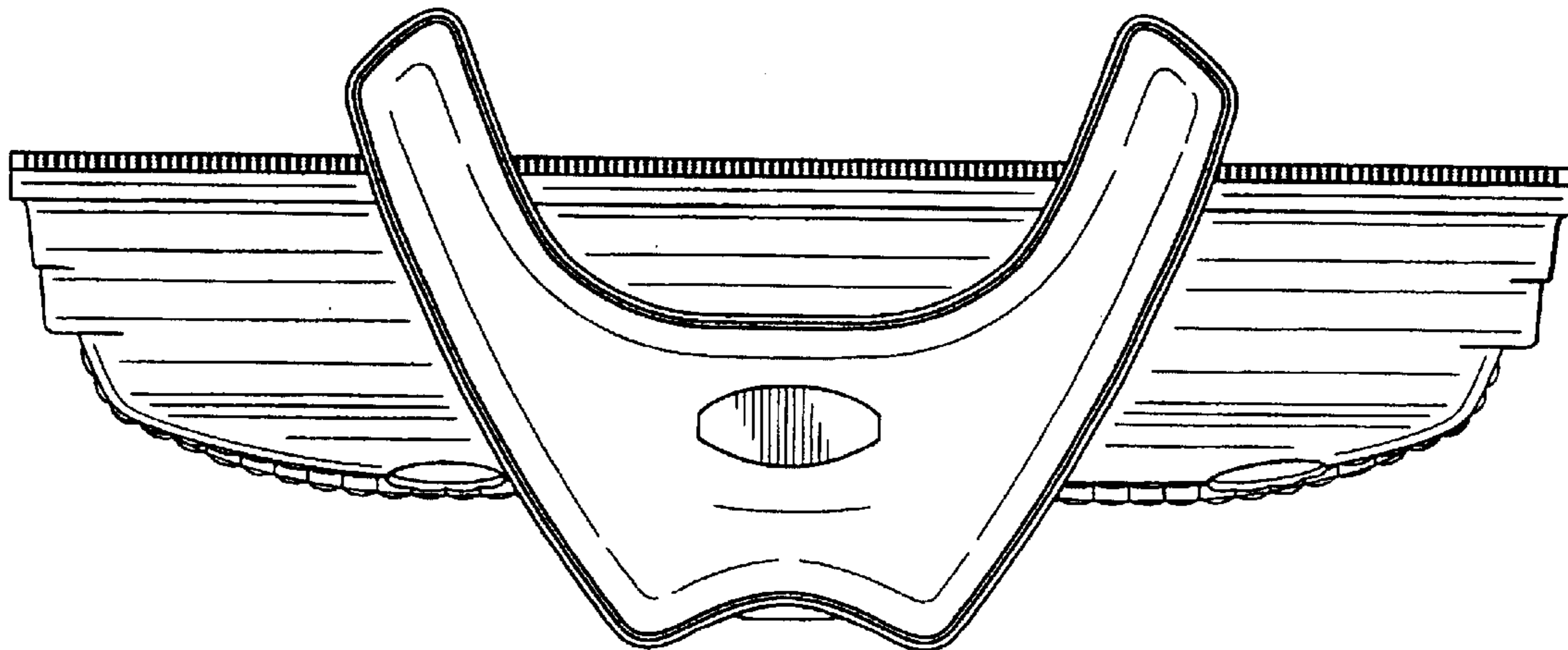


Fig. 5

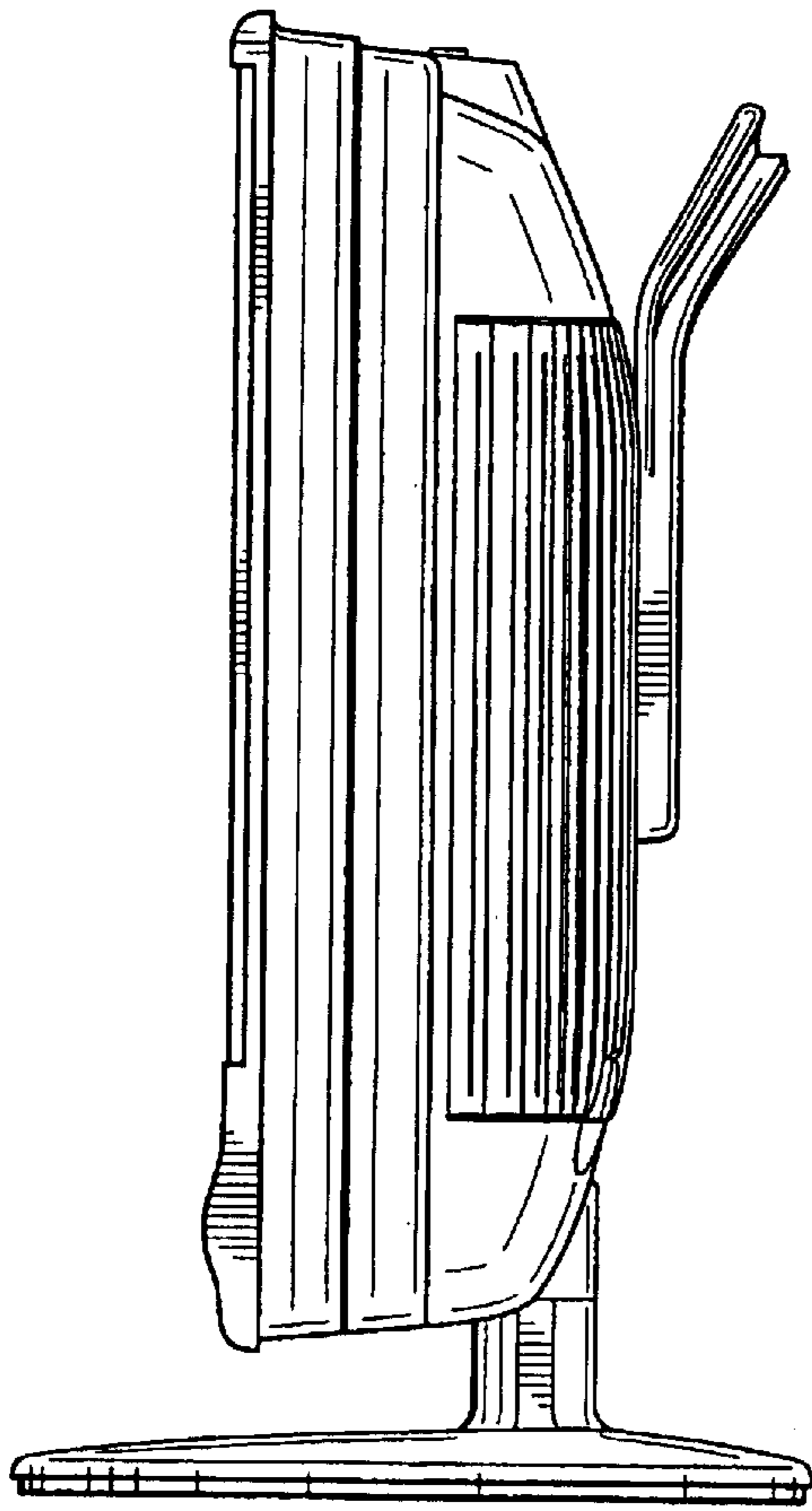


Fig. 6

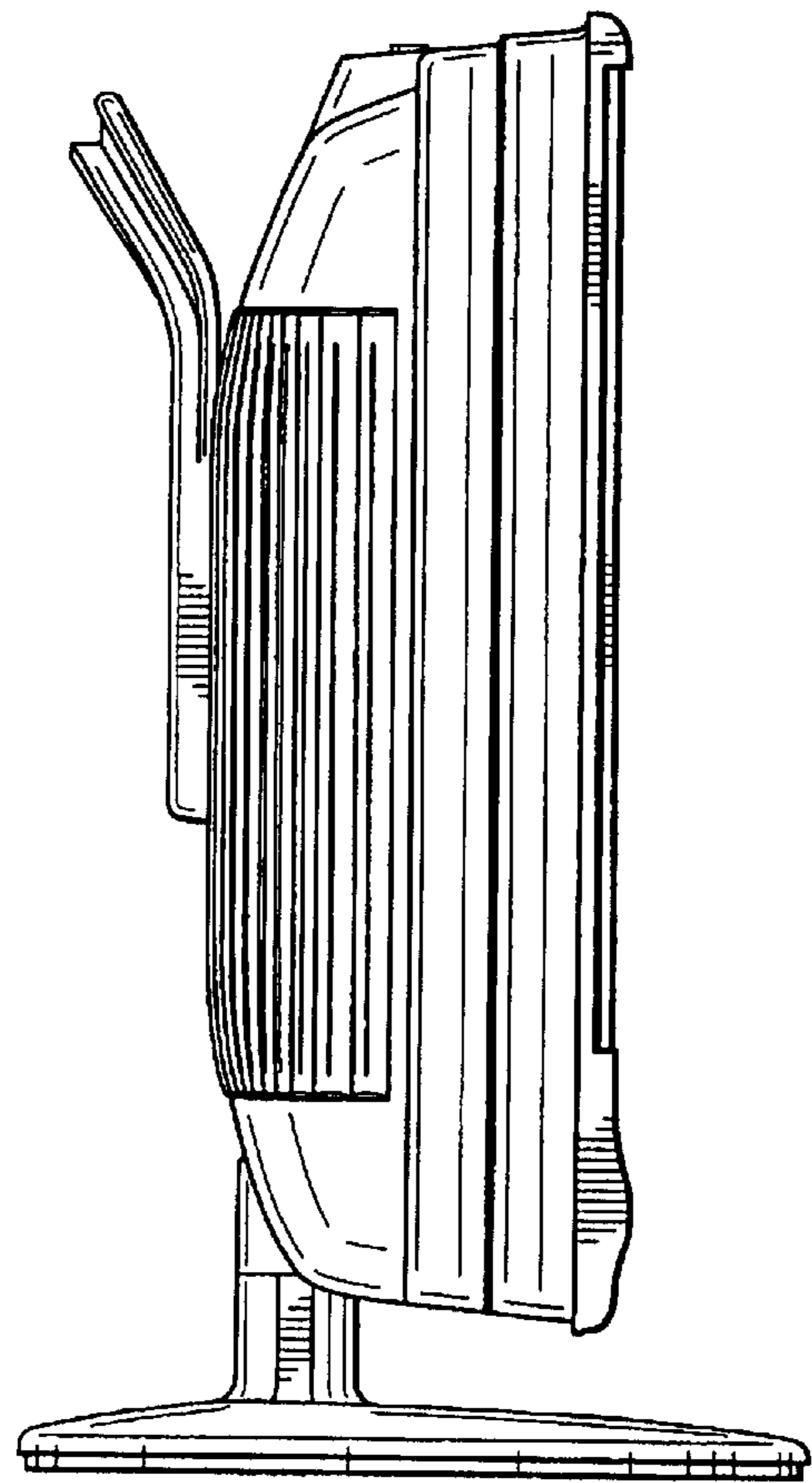


Fig. 7

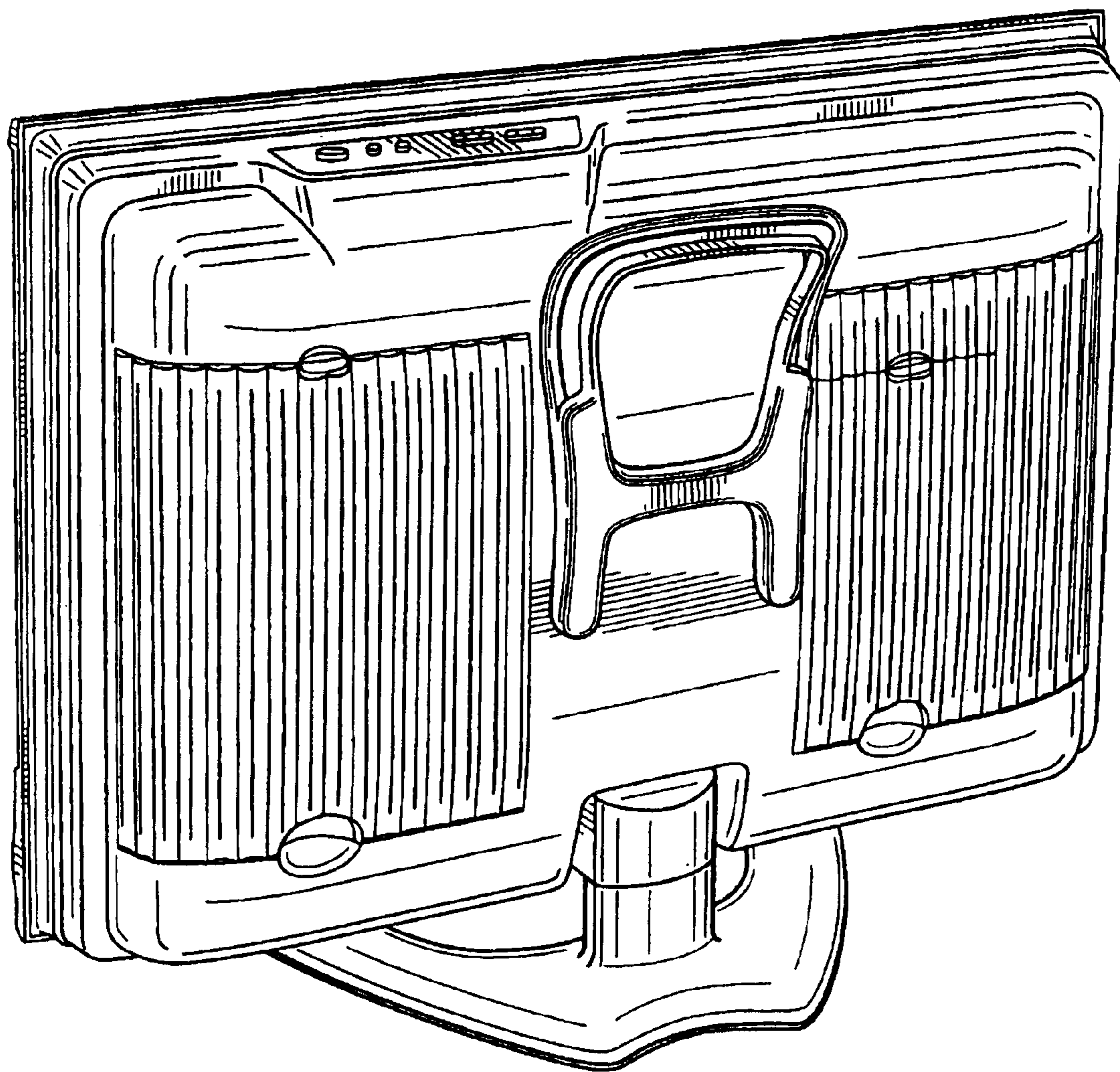


Fig. 8