



US00D541771S

(12) **United States Design Patent**
Chung

(10) **Patent No.:** **US D541,771 S**

(45) **Date of Patent:** **** May 1, 2007**

(54) **DMB RECEIVER**

(75) Inventor: **Yeon-Moo Chung**, Seoul (KR)

(73) Assignee: **Samsung Electronics Co., Ltd.**,
Kyunggi-do (KR)

(**) Term: **14 Years**

(21) Appl. No.: **29/243,981**

(22) Filed: **Dec. 2, 2005**

(51) **LOC (8) Cl.** **14-03**

(52) **U.S. Cl.** **D14/126**

(58) **Field of Classification Search** D14/125-134,
D14/239, 371, 136, 374-377; 312/7.2; 348/836,
348/838, 180, 184, 325, 739; 341/12; 248/917-924,
248/465; 345/104, 133, 156, 168, 87, 173;
720/605, 669, 600, 655; 369/99, 197; 455/344-347
See application file for complete search history.

(56) **References Cited**

U.S. PATENT DOCUMENTS

D396,222 S	*	7/1998	Morgan et al.	D14/374
D457,504 S	*	5/2002	Hori et al.	D14/126
D458,602 S	*	6/2002	Hasegawa et al.	D14/374
D465,491 S	*	11/2002	Yamada	D14/374
D468,276 S	*	1/2003	Chang	D14/126

D469,413 S	*	1/2003	To et al.	D14/126
D501,185 S	*	1/2005	Sato et al.	D14/126
D502,152 S	*	2/2005	Peng	D14/126
D506,733 S	*	6/2005	Boyer, Jr.	D14/126
D507,785 S	*	7/2005	Mizokawa	D14/126
D518,004 S	*	3/2006	Peng	D14/126
D525,605 S	*	7/2006	Voegel	D14/126

* cited by examiner

Primary Examiner—Raphael Barkai

(74) *Attorney, Agent, or Firm*—Flynn, Thiel, Boutell & Tanis, P.C.

(57) **CLAIM**

The ornamental design for a DMB receiver, as shown and described.

DESCRIPTION

FIG. 1 is a top front perspective view of a DMB receiver showing our new design;

FIG. 2 is a front elevational view thereof;

FIG. 3 is a rear elevational view thereof;

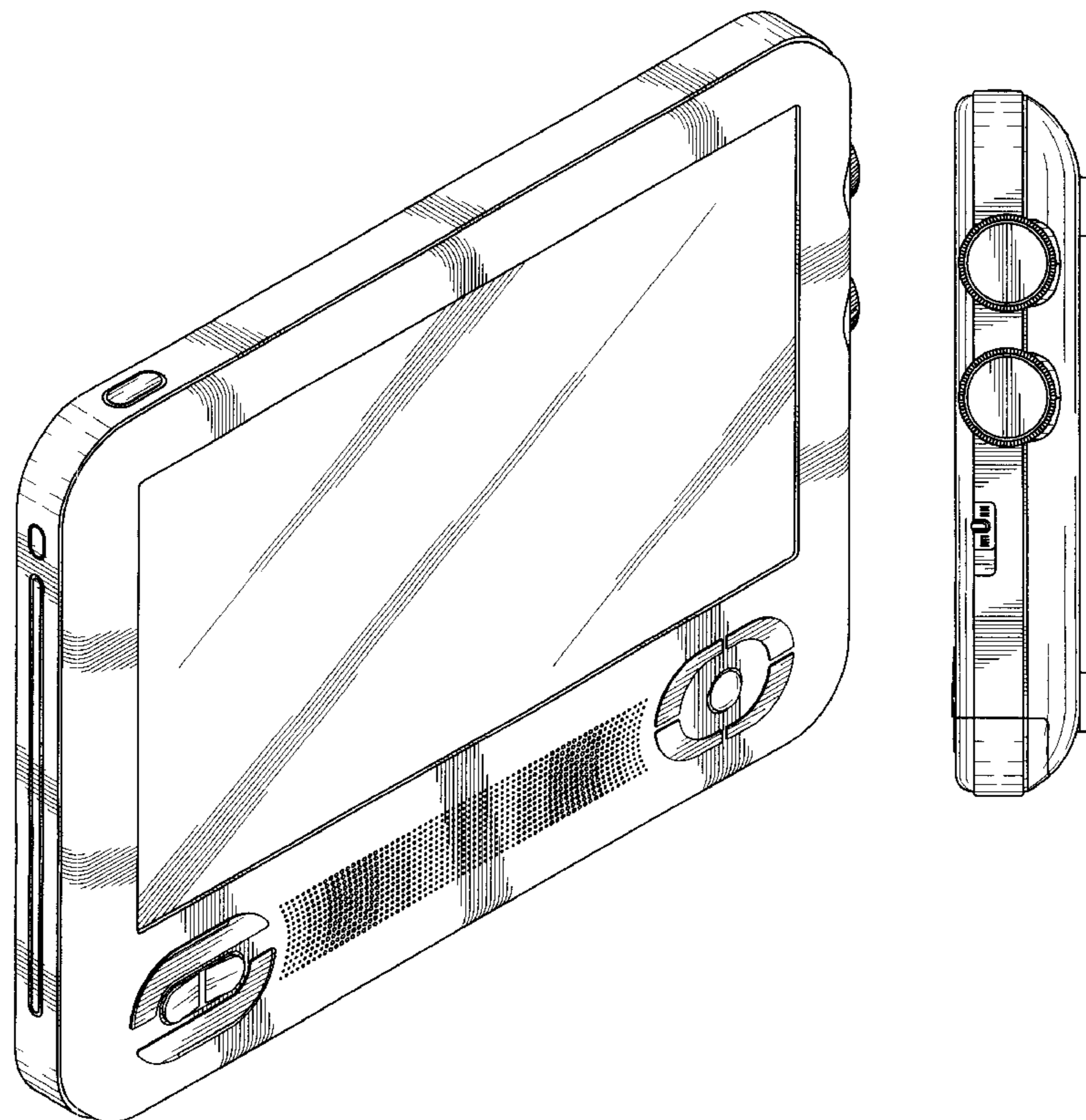
FIG. 4 is a left side elevational view thereof;

FIG. 5 is a right side elevational view thereof;

FIG. 6 is a top plan view thereof; and,

FIG. 7 is a bottom plan view.

1 Claim, 4 Drawing Sheets



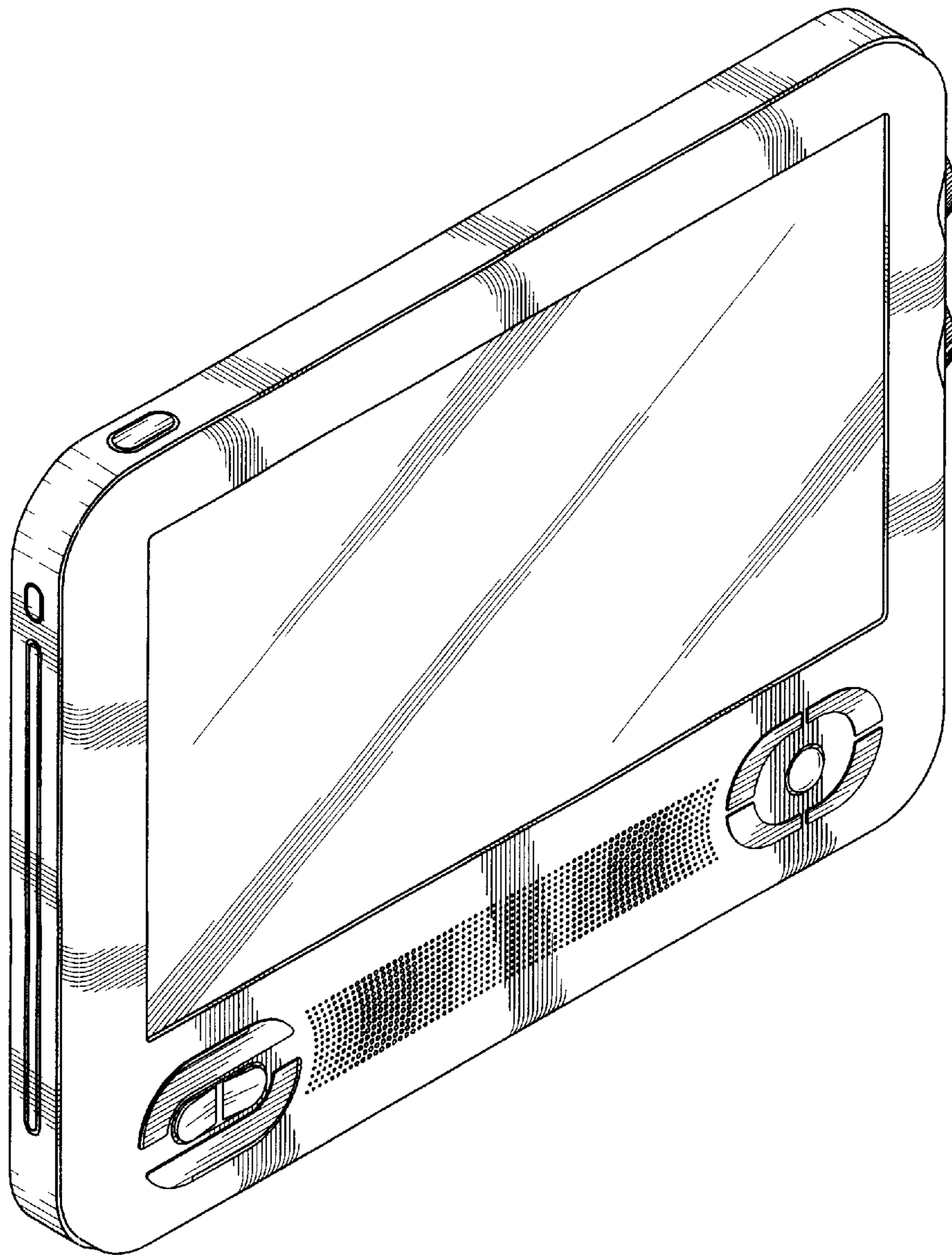


FIG. 1

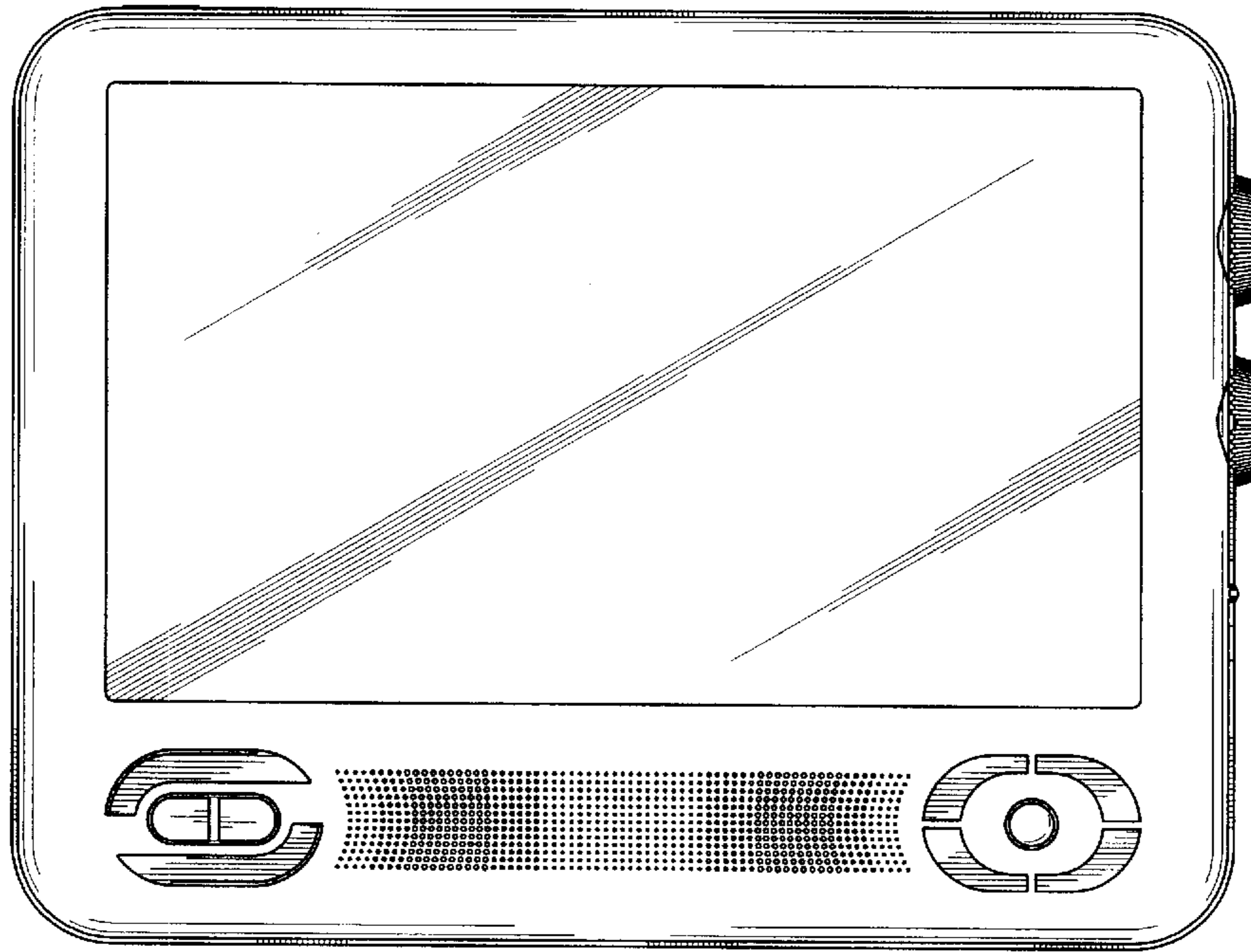


FIG. 2

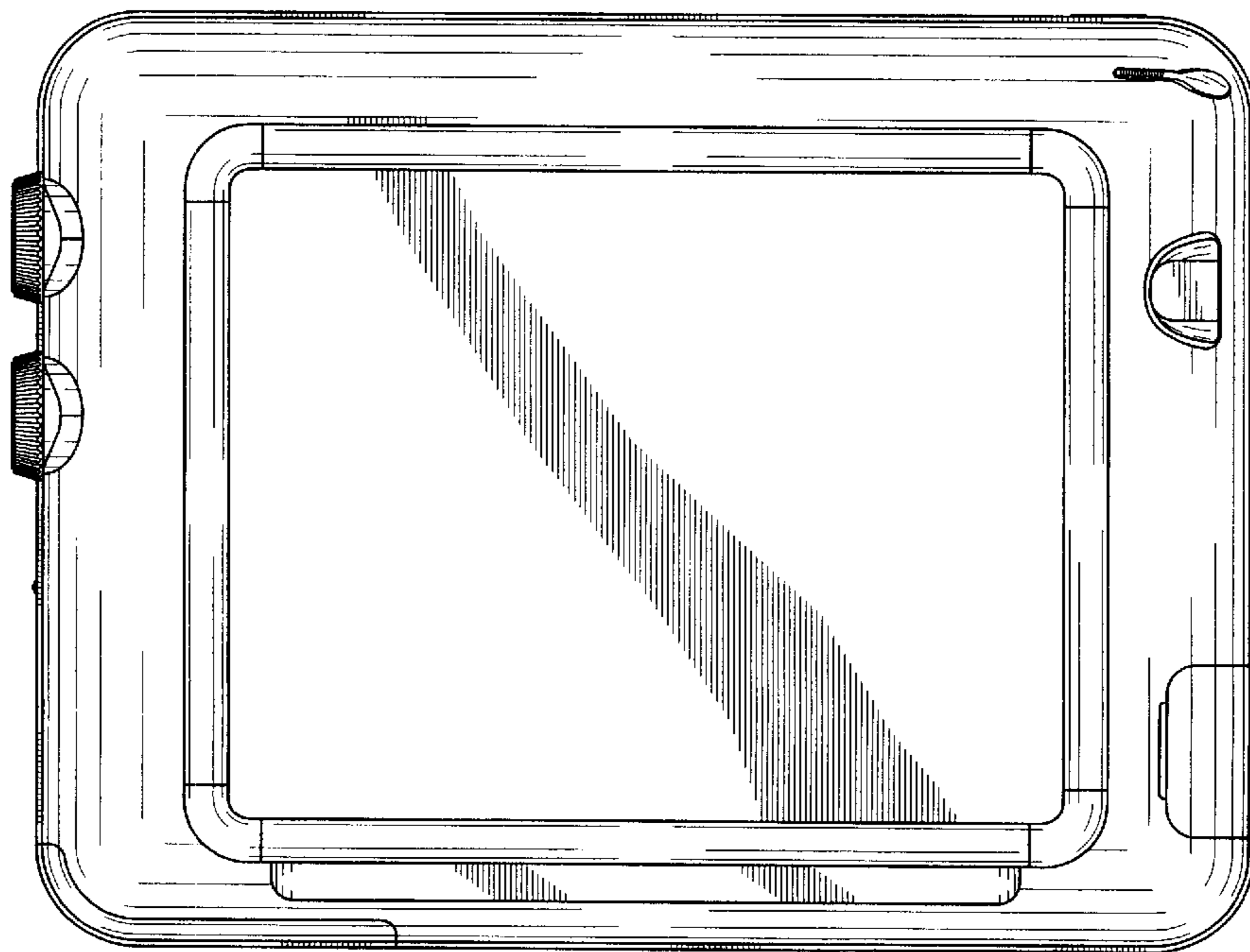


FIG. 3

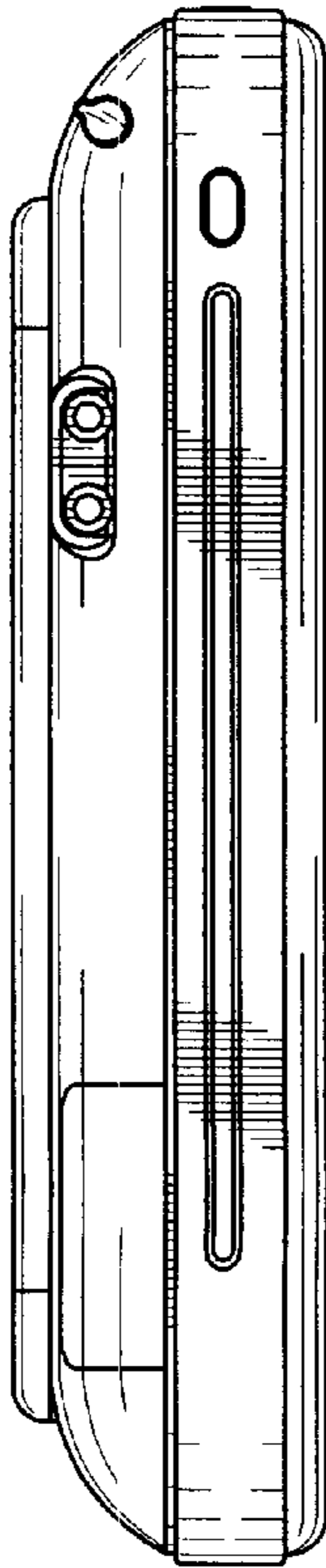


FIG. 4

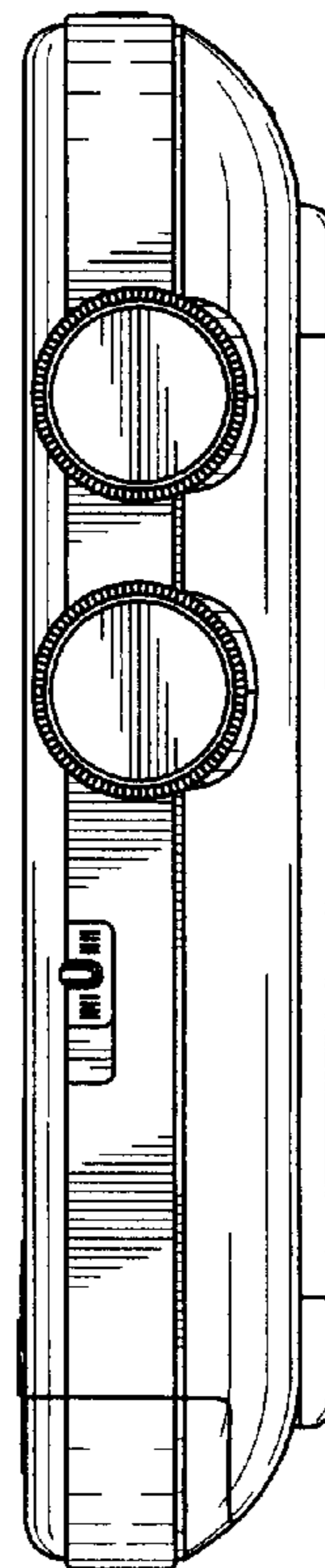


FIG. 5

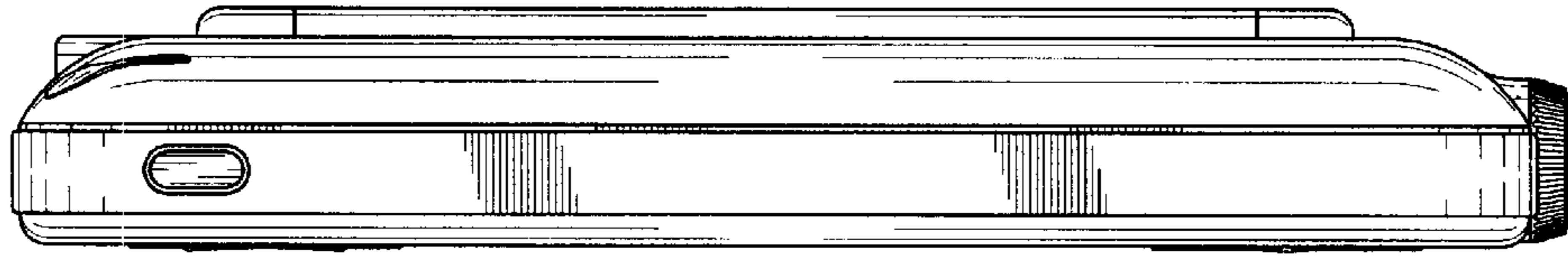


FIG. 6

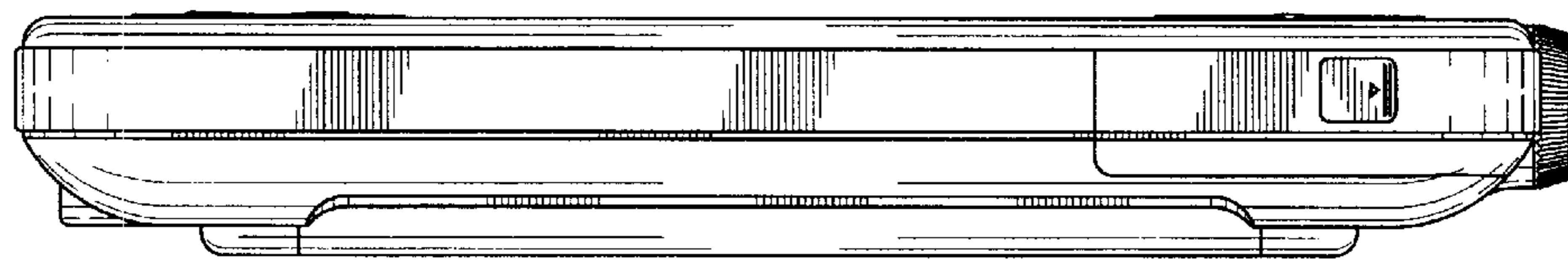


FIG. 7