



US00D541770S

(12) **United States Design Patent**
Lee

(10) **Patent No.:** **US D541,770 S**

(45) **Date of Patent:** **** May 1, 2007**

(54) **PLASMA DISPLAY PANEL TELEVISION RECEIVER**

(75) Inventor: **Yong Ho Lee**, Seoul (KR)

(73) Assignee: **LG Electronics Inc.**, Seoul (KR)

(**) Term: **14 Years**

(21) Appl. No.: **29/241,807**

(22) Filed: **Nov. 2, 2005**

(30) **Foreign Application Priority Data**

Jun. 14, 2005 (KR) 30-2005-0019869

(51) **LOC (8) Cl.** **14-03**

(52) **U.S. Cl.** **D14/126**

(58) **Field of Classification Search** D14/125-134,
D14/239, 371, 136, 374-377; 312/7.2; 348/836,
348/838, 180, 184, 325, 739; 341/12; 248/917-924,
248/465; 345/104, 133, 156, 168, 87, 173;
720/605, 669, 600, 655; 369/99, 197; 455/344-347
See application file for complete search history.

(56) **References Cited**

U.S. PATENT DOCUMENTS

D401,574 S * 11/1998 Leman et al. D14/375

D407,077 S * 3/1999 Shibata D14/126
D410,439 S * 6/1999 Shibata D14/336
D417,659 S * 12/1999 Takemasa D14/374
D419,141 S * 1/2000 Evanicky et al. D14/376
D430,874 S * 9/2000 Hsu D14/374
D438,848 S * 3/2001 Kita D14/126
D471,549 S * 3/2003 Tsuji D14/375

* cited by examiner

Primary Examiner—Raphael Barkai

(74) *Attorney, Agent, or Firm*—Birch, Stewart, Kolasch & Birch, LLP

(57) **CLAIM**

I claim the ornamental design for plasma display panel television receiver, as shown and described.

DESCRIPTION

FIG. 1 is a perspective view of plasma display panel television receiver showing the new design;
FIG. 2 is a front elevation view thereof;
FIG. 3 is a rear elevation view thereof;
FIG. 4 is a left-side elevation view thereof;
FIG. 5 is a right-side elevation view thereof;
FIG. 6 is a top plan view thereof; and,
FIG. 7 is a bottom plan view thereof.

1 Claim, 4 Drawing Sheets

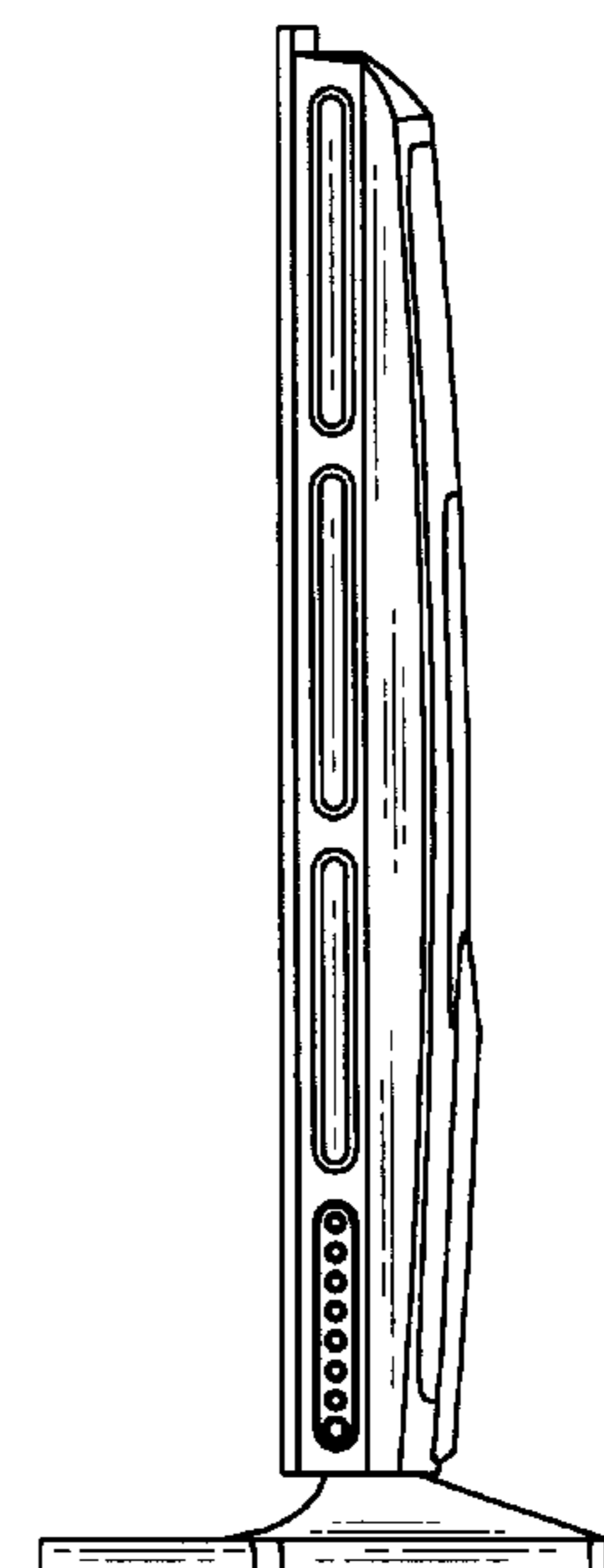
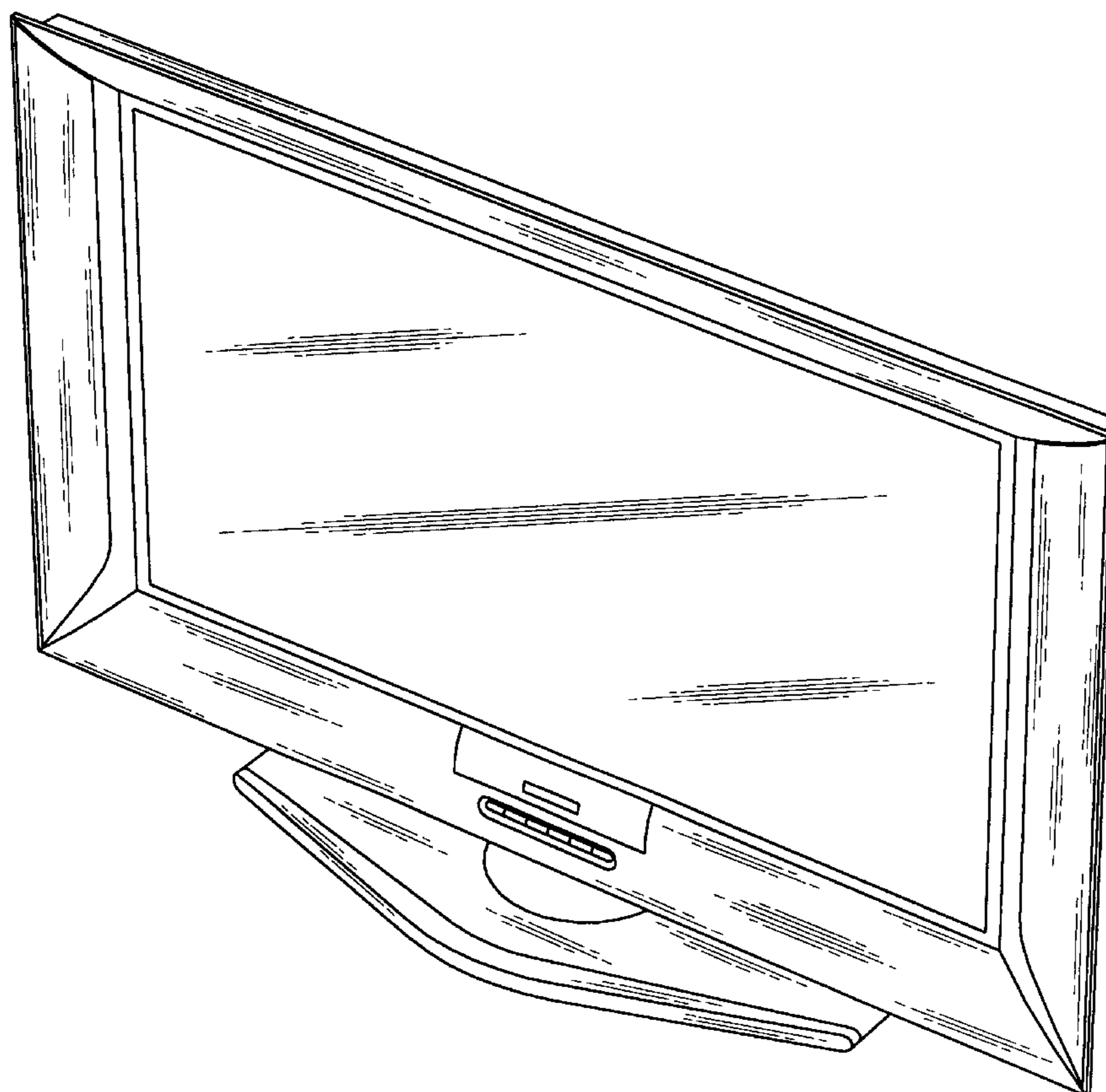


FIG. 1

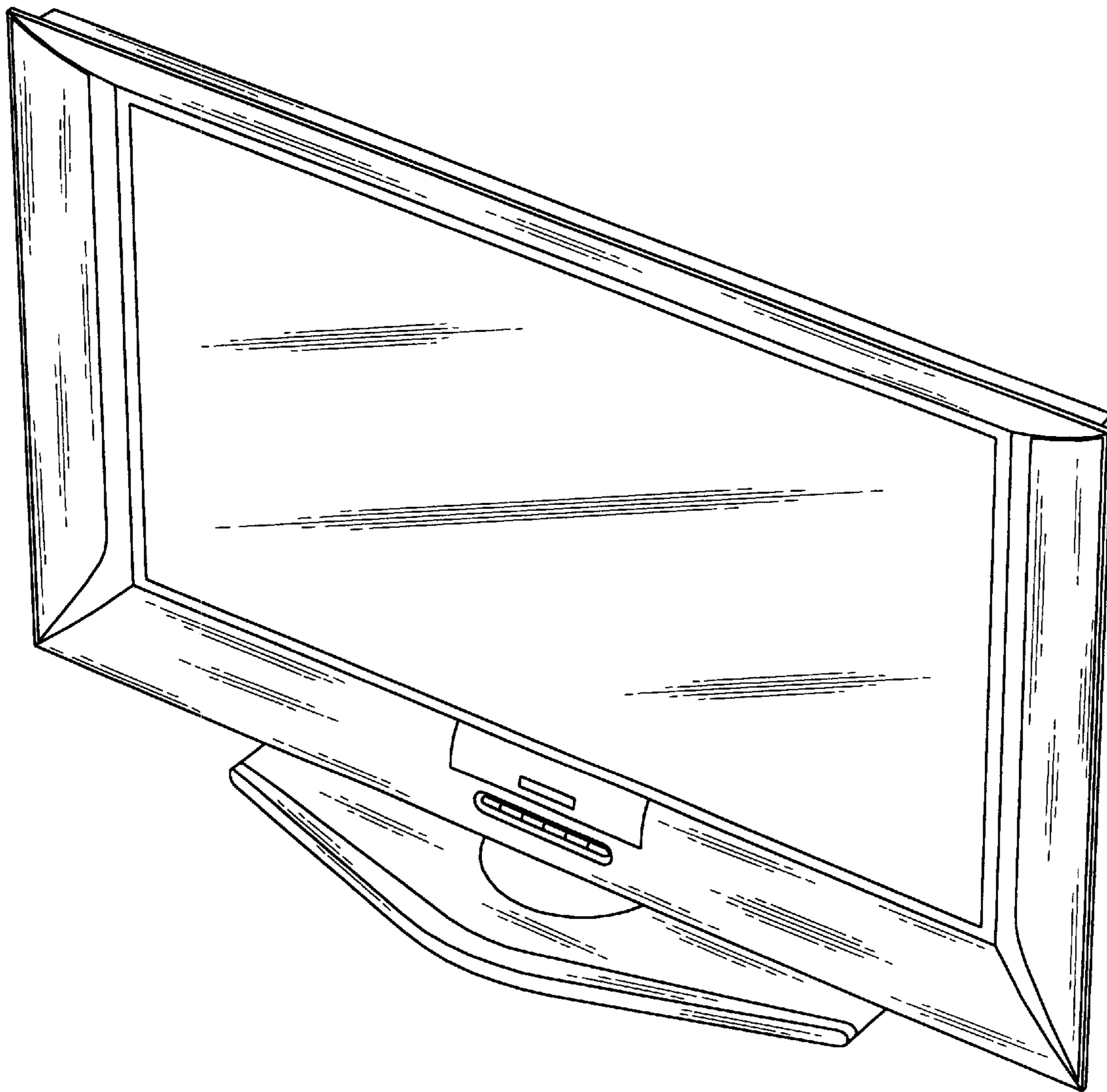


FIG. 2

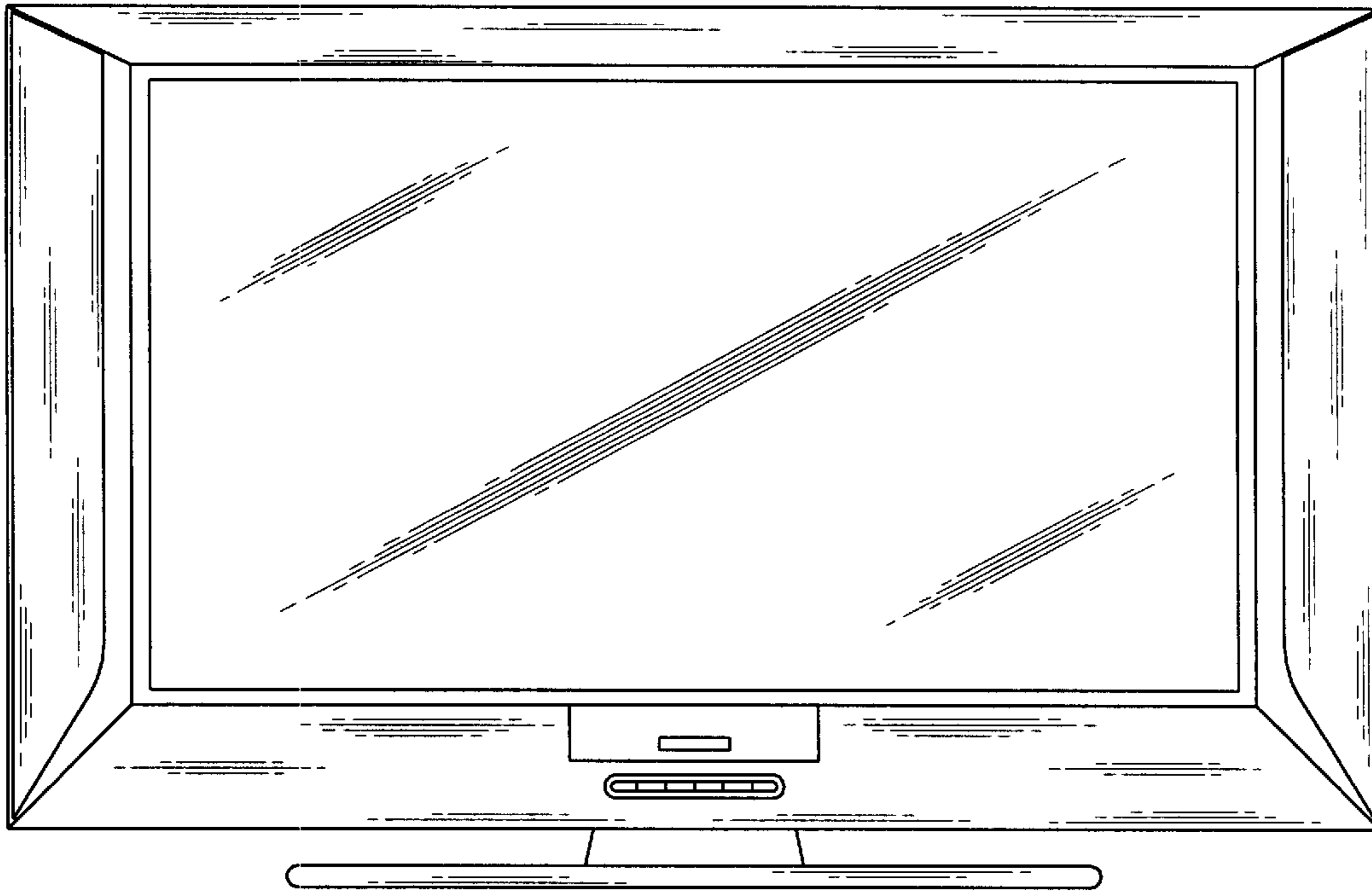


FIG. 3

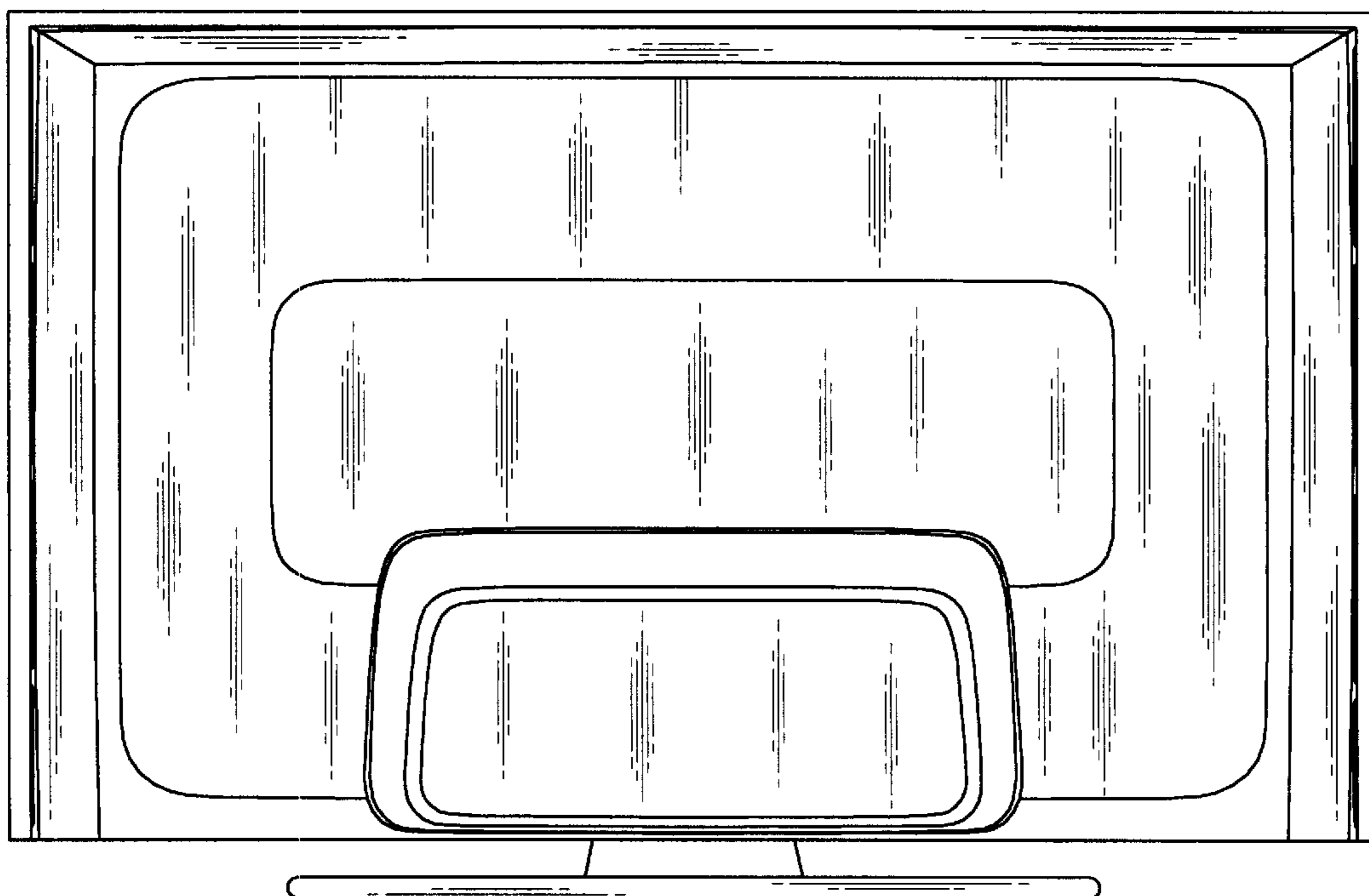


FIG. 4

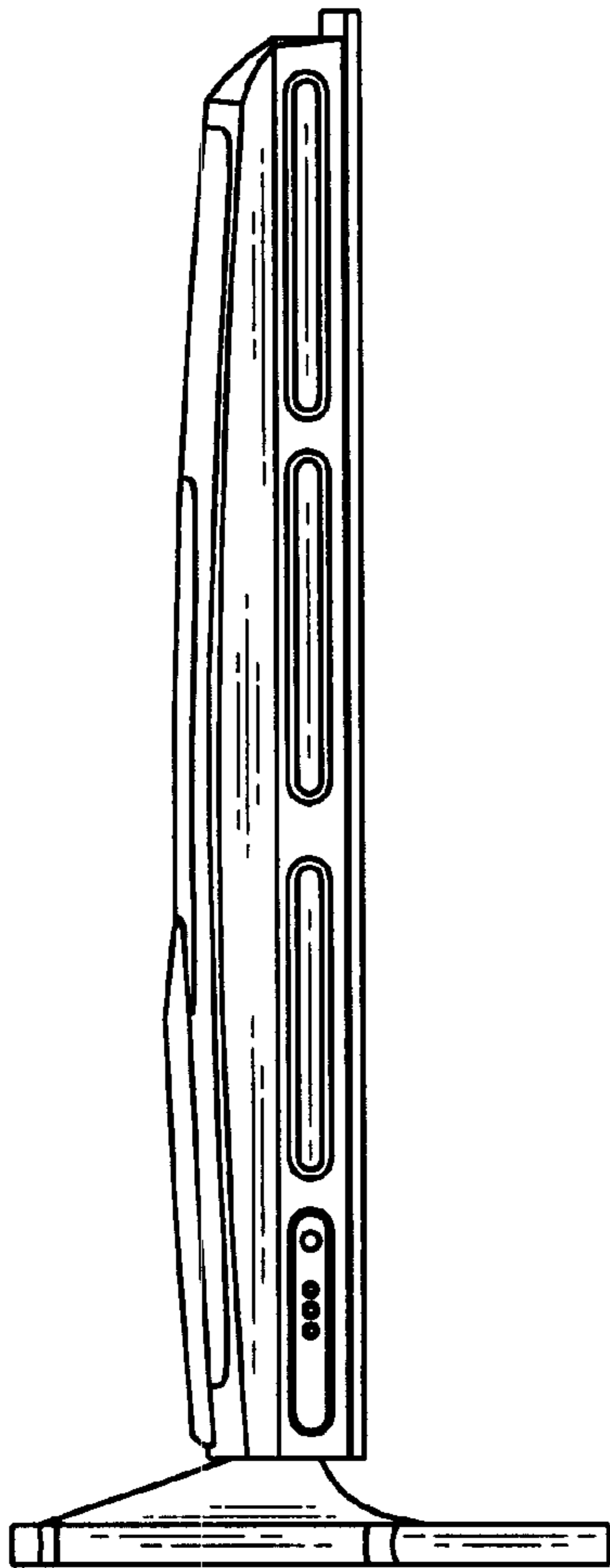


FIG. 5

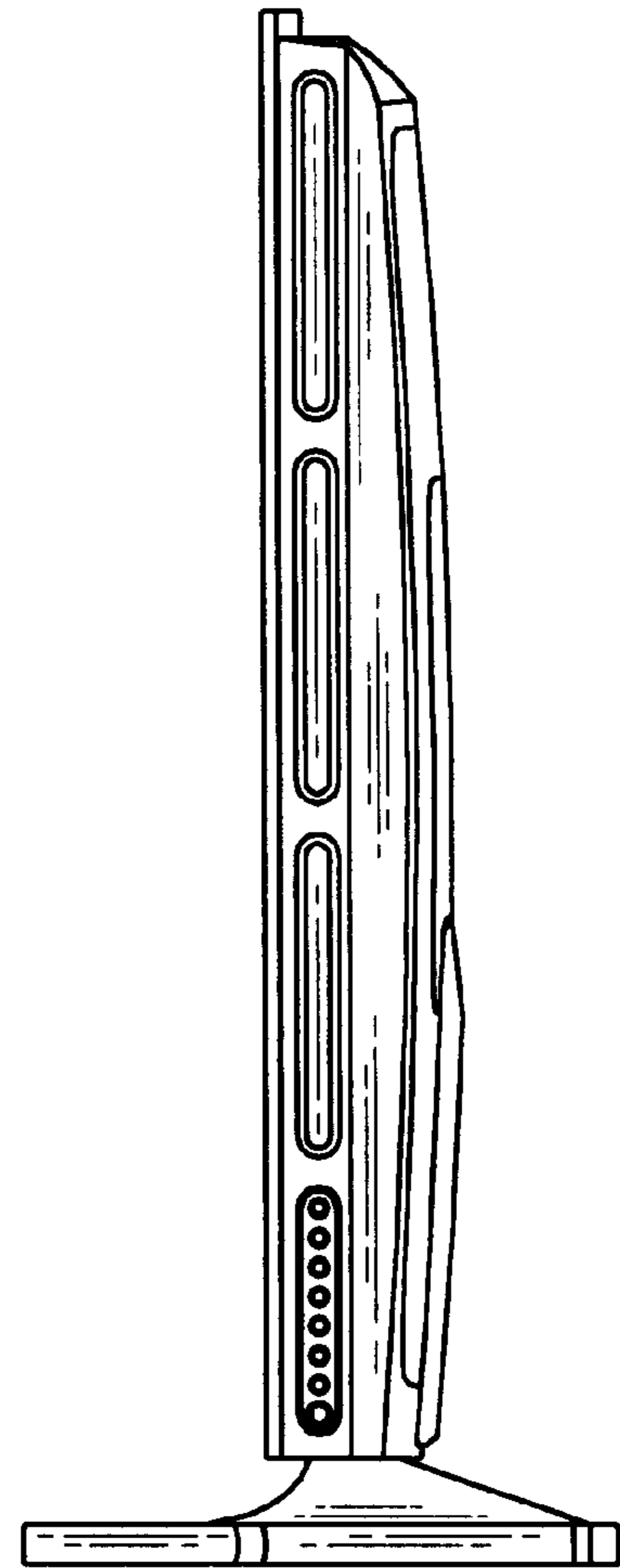


FIG. 6

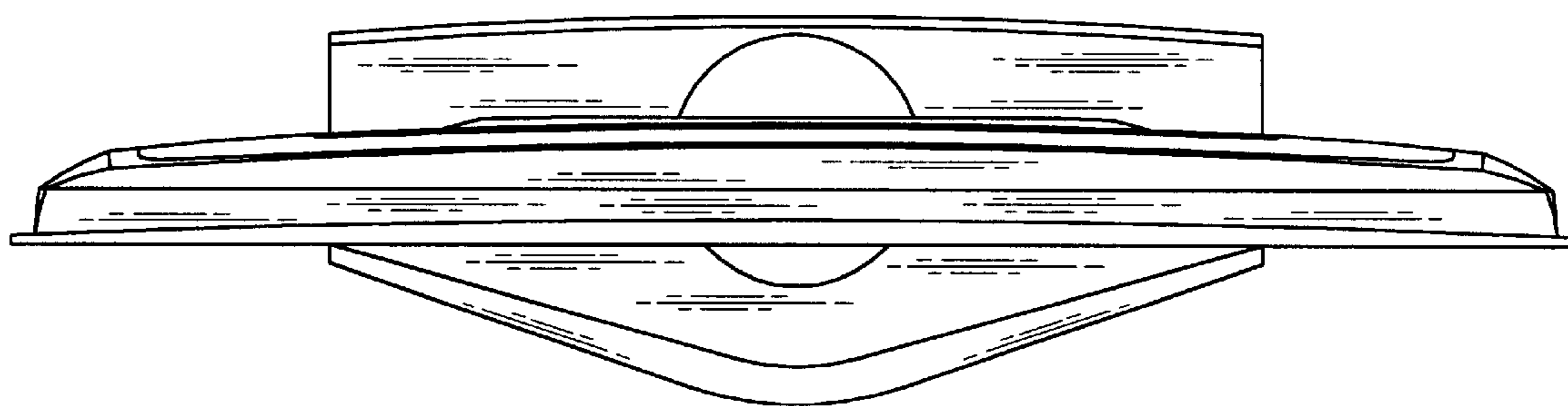


FIG. 7

