

US00D541765S

(12) **United States Design Patent**
Niitsu

(10) **Patent No.:** **US D541,765 S**

(45) **Date of Patent:** **** May 1, 2007**

(54) **TELEVISION RECEIVER**

D500,991 S * 1/2005 Niitsu D14/126
D512,034 S * 11/2005 Peng D14/129

(75) Inventor: **Takuya Niitsu**, Tokyo (JP)

OTHER PUBLICATIONS

(73) Assignee: **Sony Corporation**, Tokyo (JP)

Web page "Flat Panel TV" http://www.sonystyle.com/is-bin/INTERSHOP.enfinity/eCS/Store/en/-/USD/SY_BrowseCatalog-Start?CategoryName=tv_FlatPanelTVs&Dept=tv, 2 sheets, Sony Electronics e-Solutions Company, LLC (Dec. 2004).

(**) Term: **14 Years**

* cited by examiner

(21) Appl. No.: **29/221,227**

(22) Filed: **Jan. 14, 2005**

(51) **LOC (8) Cl.** **14-03**

(52) **U.S. Cl.** **D14/126**

(58) **Field of Classification Search** D14/125-135,
D14/239, 379, 371, 374, 375, 376, 113; D13/151,
D13/153; 312/7.2; 348/836, 838, 180, 184,
348/325, 739; 341/12; 248/917-924; 345/104,
345/133, 156, 168, 87, 173; 349/1, 2, 11,
349/62

Primary Examiner—Raphael Barkai

Assistant Examiner—Randall Gholson

(74) *Attorney, Agent, or Firm*—Rader, Fishman & Grauer PLLC

See application file for complete search history.

(57) **CLAIM**

The ornamental design for a television receiver, as shown.

(56) **References Cited**

DESCRIPTION

U.S. PATENT DOCUMENTS

FIG. 1 is a perspective view of a television receiver showing my new design;

FIG. 2 is a front elevational view thereof;

FIG. 3 is a rear elevational view thereof;

FIG. 4 is a left side elevational view thereof;

FIG. 5 is a right side elevational view thereof;

FIG. 6 is a top plan view thereof; and,

FIG. 7 is a bottom plan view thereof.

D417,659 S	*	12/1999	Takemasa	D14/126
D457,864 S	*	5/2002	Bong et al.	D14/126
D458,238 S	*	6/2002	Niitsu	D14/126
D475,356 S	*	6/2003	Niitsu	D14/126
D486,456 S	*	2/2004	Fujiki	D14/126
D488,451 S		4/2004	Niitsu		
D498,214 S	*	11/2004	Ahn et al.	D14/126

1 Claim, 4 Drawing Sheets

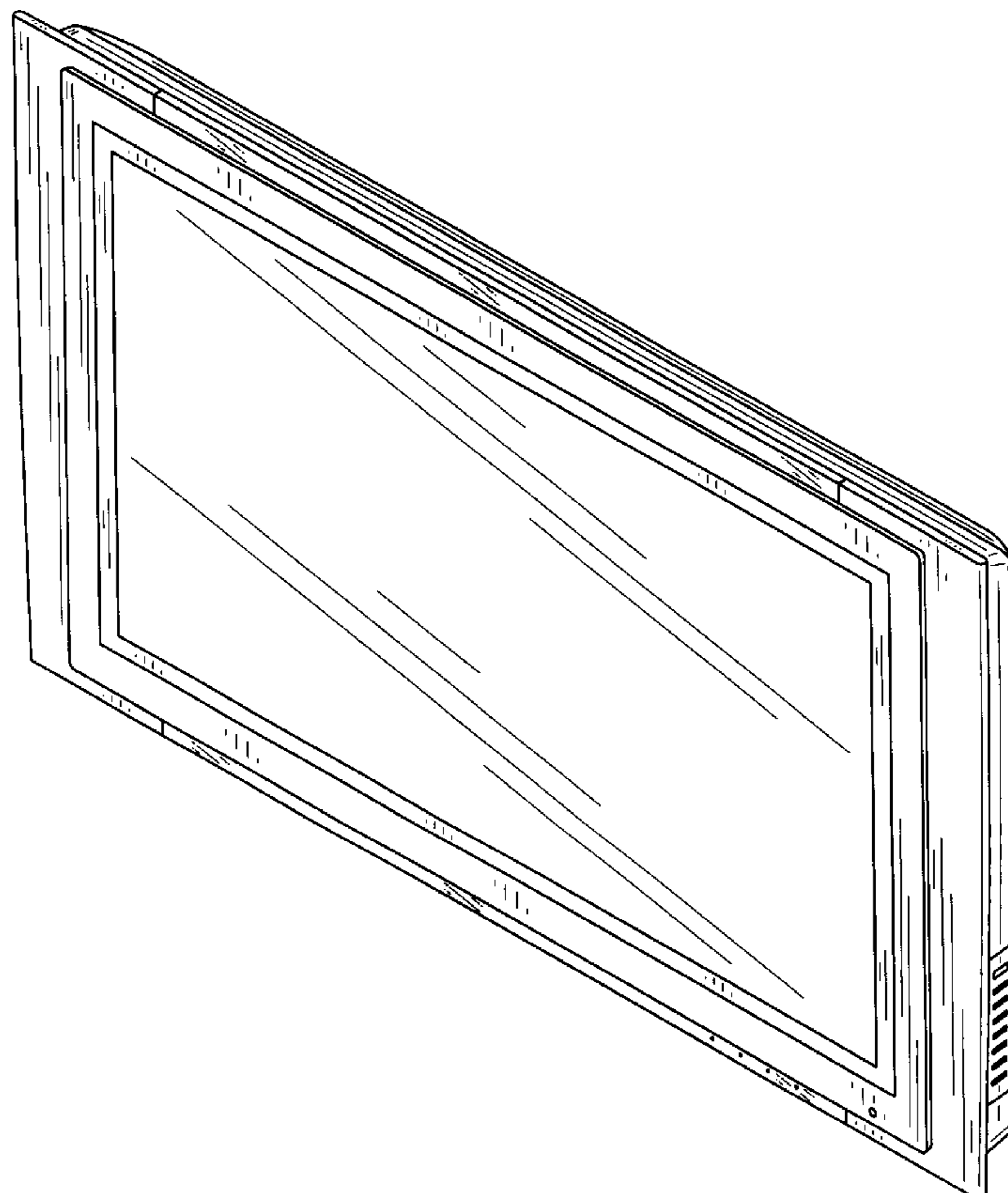


FIG. 1

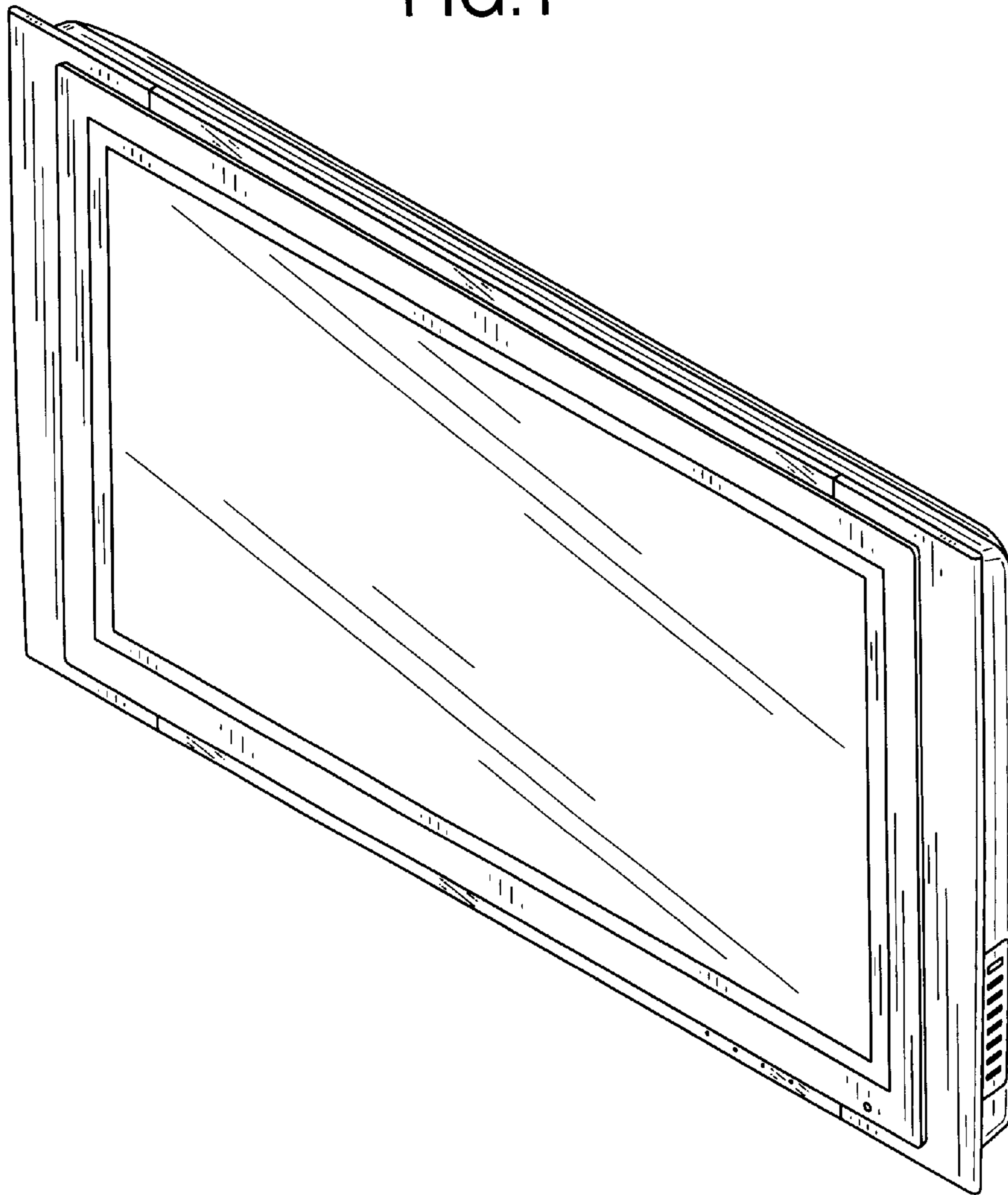


FIG.2

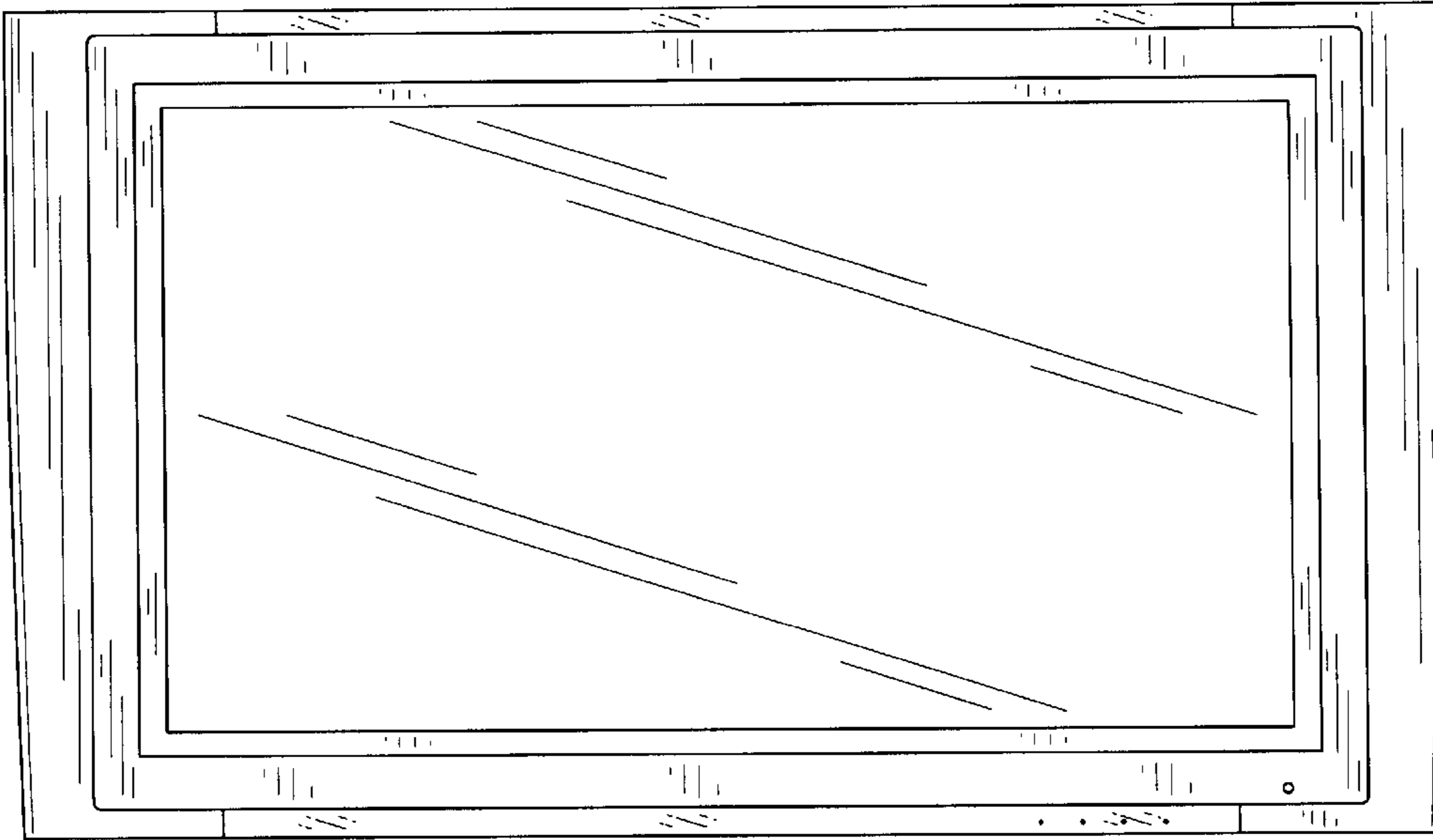


FIG.3

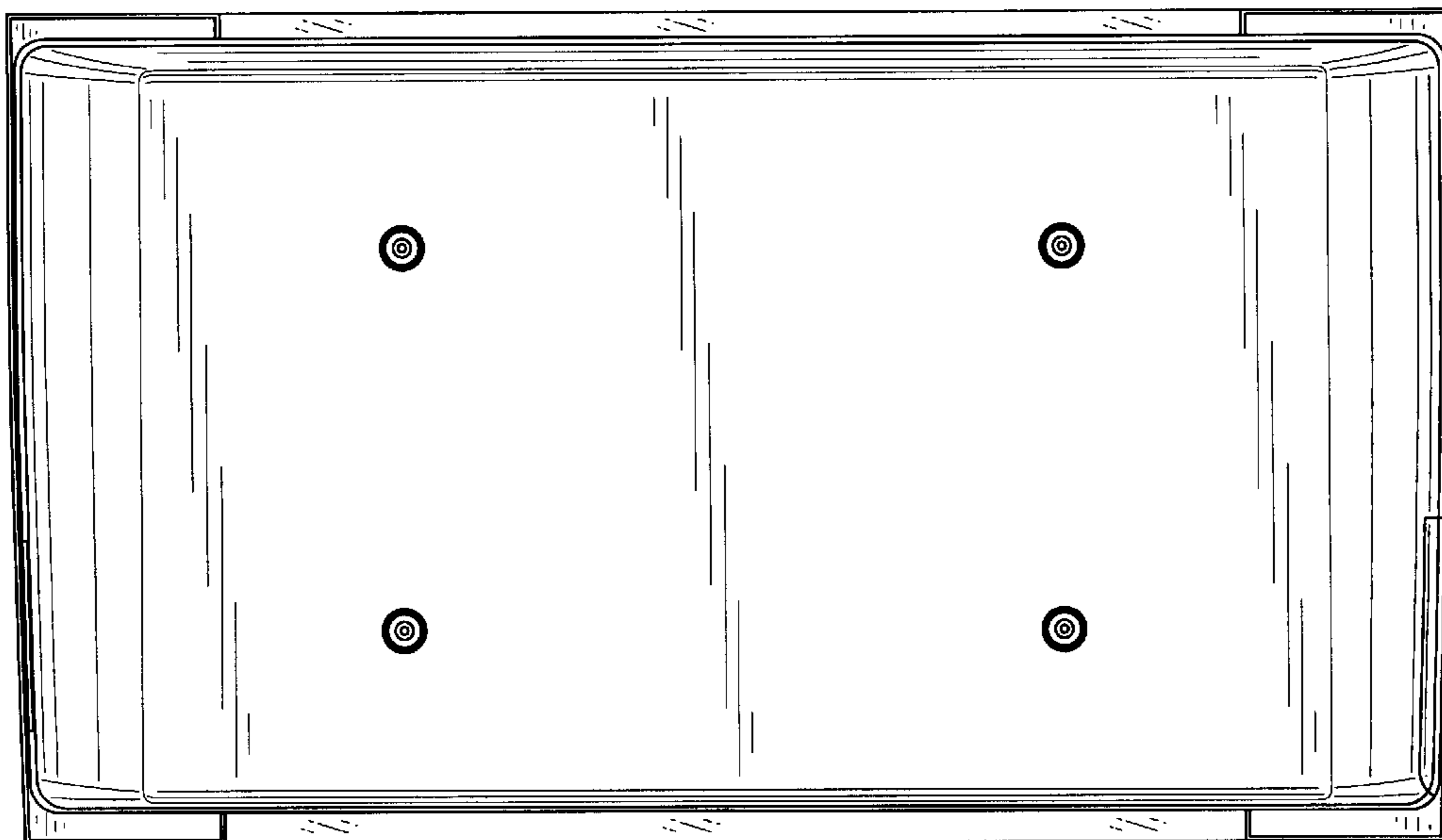


FIG.4



FIG.5

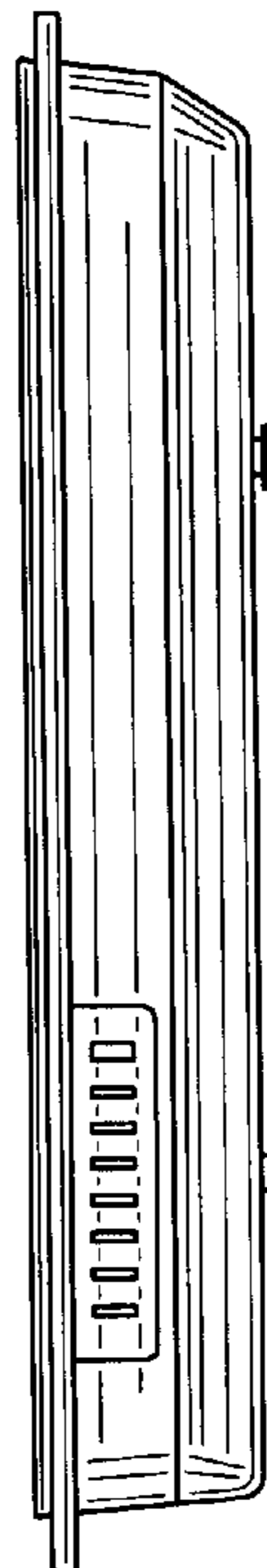


FIG.6

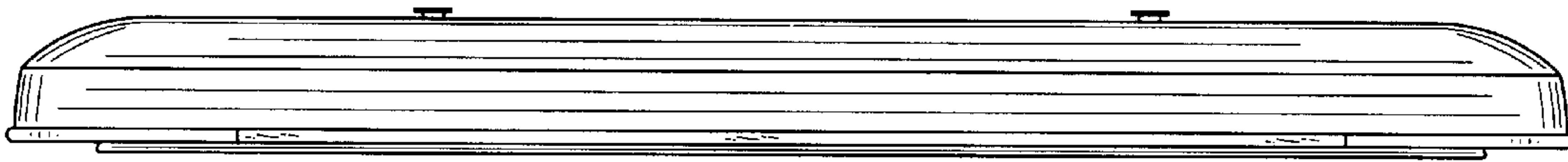


FIG.7

