

US00D541764S

(12) **United States Design Patent**
Lozano

(10) **Patent No.:** **US D541,764 S**

(45) **Date of Patent:** **** May 1, 2007**

(54) **MOUNTING PANEL AND AUDIO-VIDEO ASSEMBLY FOR SUSPENSION ON A WALL SURFACE**

(76) **Inventor:** **Anthony Lozano**, 144 S. Third St.-
#621, San Jose, CA (US) 95112

(**) **Term:** **14 Years**

(21) **Appl. No.:** **29/219,417**

(22) **Filed:** **Dec. 15, 2004**

(51) **LOC (8) Cl.** **14-03**

(52) **U.S. Cl.** **D14/126**

(58) **Field of Classification Search** D14/125-135,
D14/239, 379, 371, 374, 375, 376, 113, 172,
D14/214; D13/151, 153; 312/7.2; 348/836,
348/838, 180, 184, 325, 739, 833; 341/12;
248/917-924, 27.1; 345/104, 133, 156, 168,
345/87, 173; 349/1, 2, 11, 62

See application file for complete search history.

(56) **References Cited**

U.S. PATENT DOCUMENTS

5,264,765	A	*	11/1993	Pecorino et al.	318/265
D369,356	S	*	4/1996	Olson	D14/214
D418,831	S	*	1/2000	Rosen et al.	D14/376
D424,068	S	*	5/2000	Takemasa	D14/374
D424,538	S	*	5/2000	Hayashi et al.	D14/374

D438,848	S	*	3/2001	Kita	D14/126
D460,056	S	*	7/2002	Niitsu	D14/126
6,480,243	B2	*	11/2002	Yamamoto	348/836
D474,454	S	*	5/2003	Izu et al.	D14/133
D503,396	S	*	3/2005	Hisatsune	D14/214
D511,339	S	*	11/2005	Tsuge	D14/214
D513,501	S	*	1/2006	Asanuma et al.	D14/129

* cited by examiner

Primary Examiner—Raphael Barkai

Assistant Examiner—Randall H. Gholson

(74) *Attorney, Agent, or Firm*—John J. Leavitt

(57) **CLAIM**

The ornamental design for a mounting panel and audio-video assembly for suspension on a wall surface, as illustrated and described.

DESCRIPTION

FIG. 1 is a perspective view of the mounting panel and audio-video assembly for suspension on a wall surface shown suspended in relation to a wall surface.

FIG. 2 is a front elevational view thereof.

FIG. 3 is a top plan view thereof.

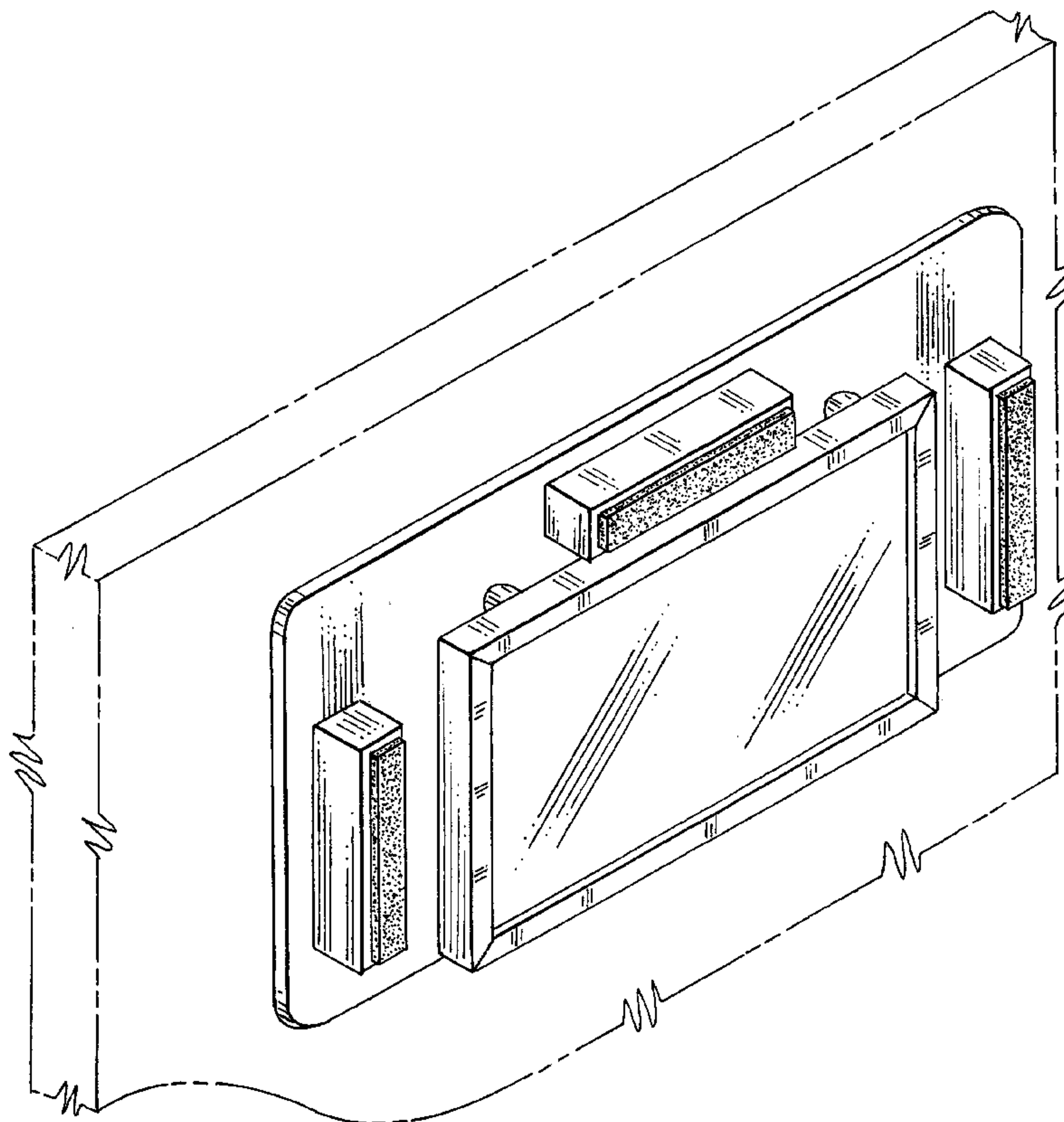
FIG. 4 is a left end elevational view thereof.

FIG. 5 is a right end elevational view thereof.

FIG. 6 is rear elevational view thereof; and,

FIG. 7 is a bottom edge view thereof.

1 Claim, 3 Drawing Sheets



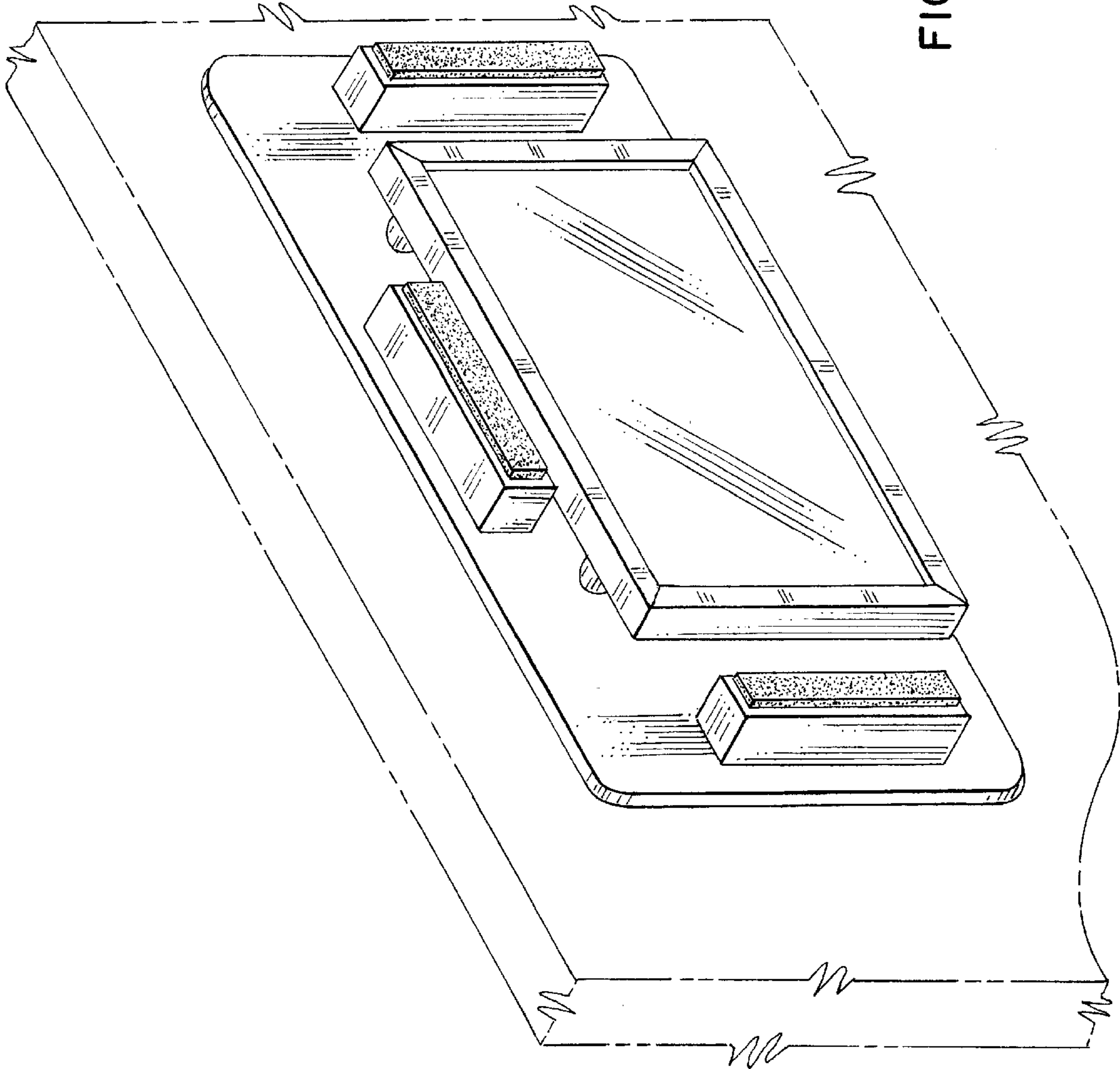


FIG. 1

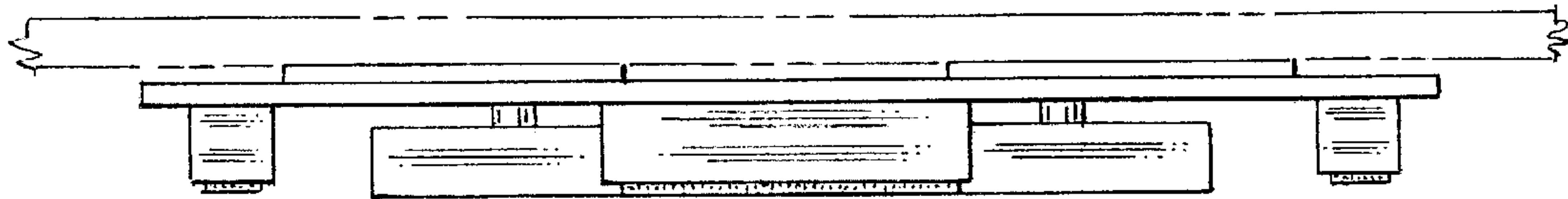


FIG. 3

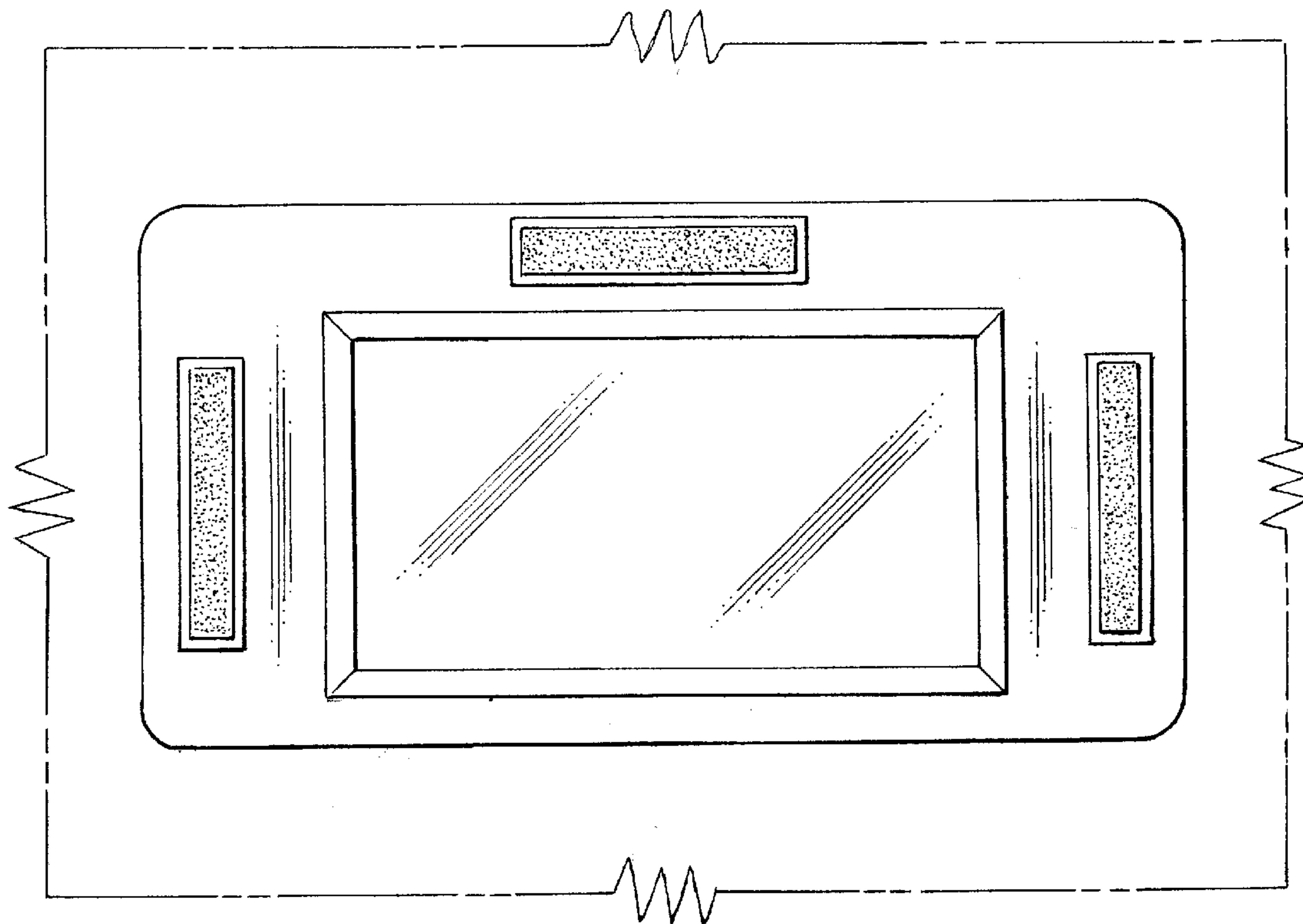


FIG. 2

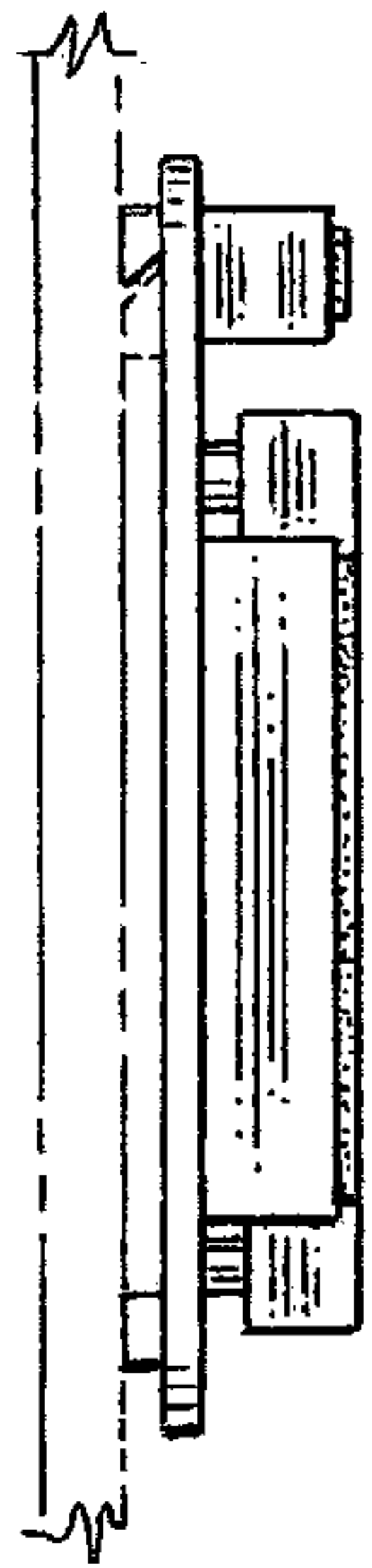


FIG. 4

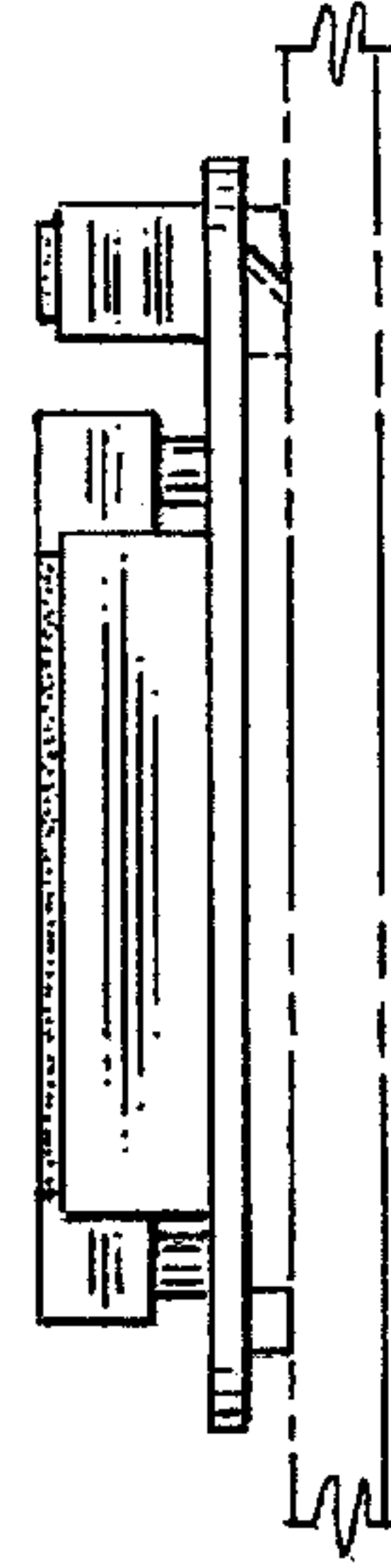


FIG. 5

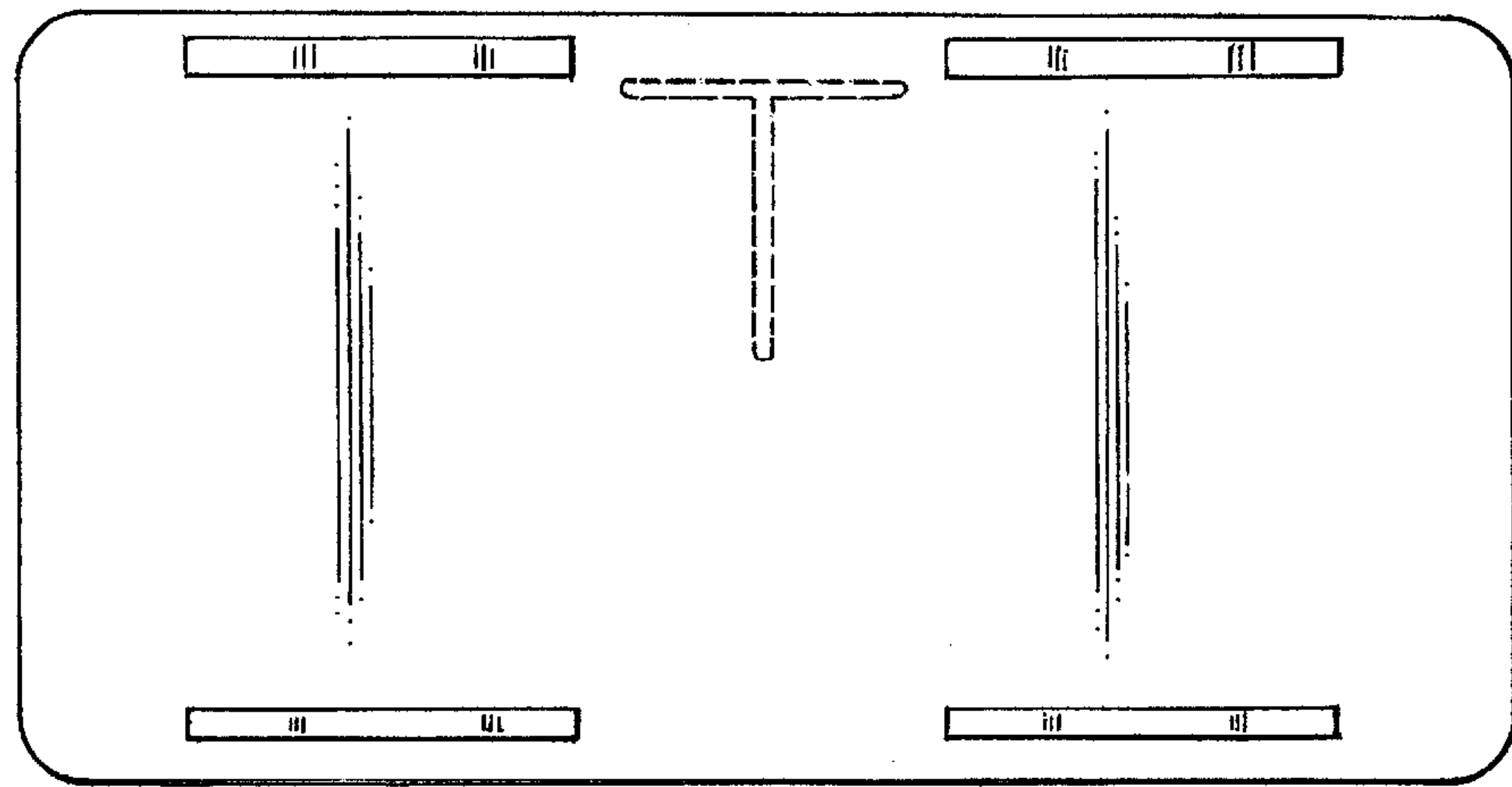


FIG. 6

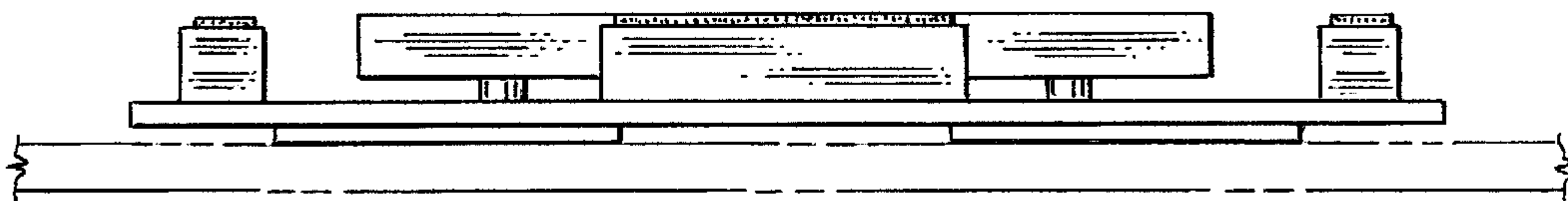


FIG. 7