



US00D541759S

(12) **United States Design Patent**  
**Shin et al.**

(10) **Patent No.:** **US D541,759 S**

(45) **Date of Patent:** **\*\* May 1, 2007**

(54) **LIGHT-EMITTING DIODE**

(75) Inventors: **Ok Hee Shin**, Suwon (KR); **Joon Gil Lee**, Seoul (KR); **Jae Woo Cho**, Suwon (KR)

(73) Assignee: **Samsung Electro-Mechanics Co., Ltd.** (KR)

(\*\*) Term: **14 Years**

(21) Appl. No.: **29/238,627**

(22) Filed: **Sep. 19, 2005**

(30) **Foreign Application Priority Data**

Jul. 19, 2005 (KR) ..... 30-2005-0024196

(51) **LOC (8) Cl.** ..... **13-03**

(52) **U.S. Cl.** ..... **D13/180**

(58) **Field of Classification Search** ..... D13/180,  
D13/182; D26/2; 257/79, 80, 81, 82, 88,  
257/89, 95, 98, 99, 100, 103, 433, 434, 666;  
313/483, 498, 500; 361/820; 362/235, 249,  
362/555, 800; 372/45.01

See application file for complete search history.

(56) **References Cited**

U.S. PATENT DOCUMENTS

6,576,986 B2 \* 6/2003 Kobayakawa ..... 257/676

D478,877 S \* 8/2003 Hoshiba ..... D13/182  
D489,677 S \* 5/2004 Ishida ..... D13/100  
D489,693 S \* 5/2004 Ishida ..... D13/180  
D490,385 S \* 5/2004 Ishida ..... D13/180  
D490,386 S \* 5/2004 Ishida ..... D13/180  
D495,667 S 9/2004 Kim et al.  
D495,668 S \* 9/2004 Kim et al. .... D13/180  
D497,349 S \* 10/2004 Hoshiba ..... D13/180  
6,820,991 B2 \* 11/2004 Wakaki et al. .... 362/27  
6,953,952 B2 \* 10/2005 Asakawa ..... 257/103  
2002/0149314 A1 \* 10/2002 Takahashi et al. .... 313/500

\* cited by examiner

*Primary Examiner*—Selina Sikder

(74) *Attorney, Agent, or Firm*—The Webb Law Firm

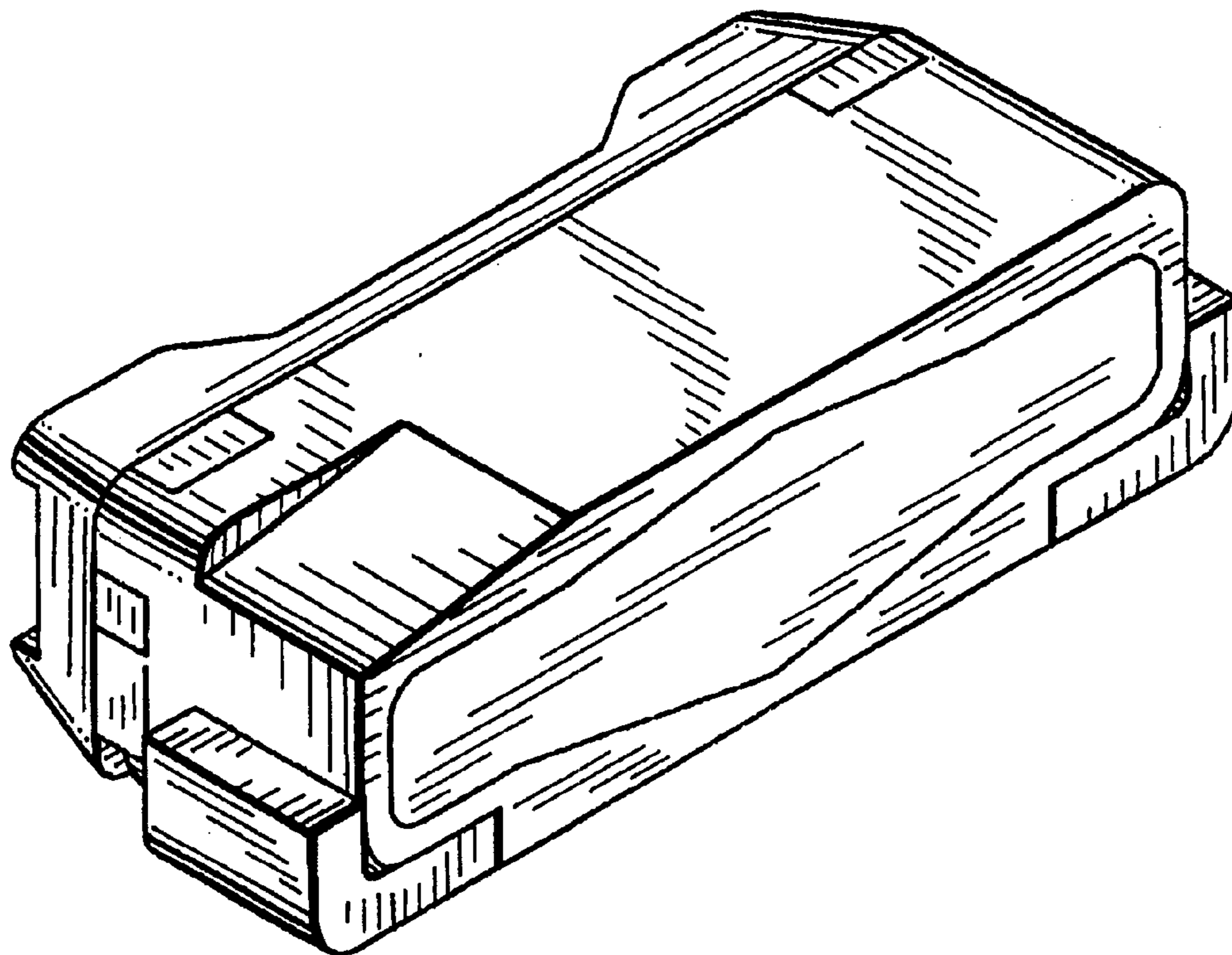
(57) **CLAIM**

The ornamental design for a light-emitting diode, as shown and described.

**DESCRIPTION**

FIG. 1 is an upper front side perspective view of a light-emitting diode of the invention;  
FIG. 2 is a front view thereof;  
FIG. 3 is a rear view thereof;  
FIG. 4 is a left side view thereof;  
FIG. 5 is a right side view thereof;  
FIG. 6 is a top plan view thereof; and,  
FIG. 7 is a bottom view thereof.

**1 Claim, 3 Drawing Sheets**



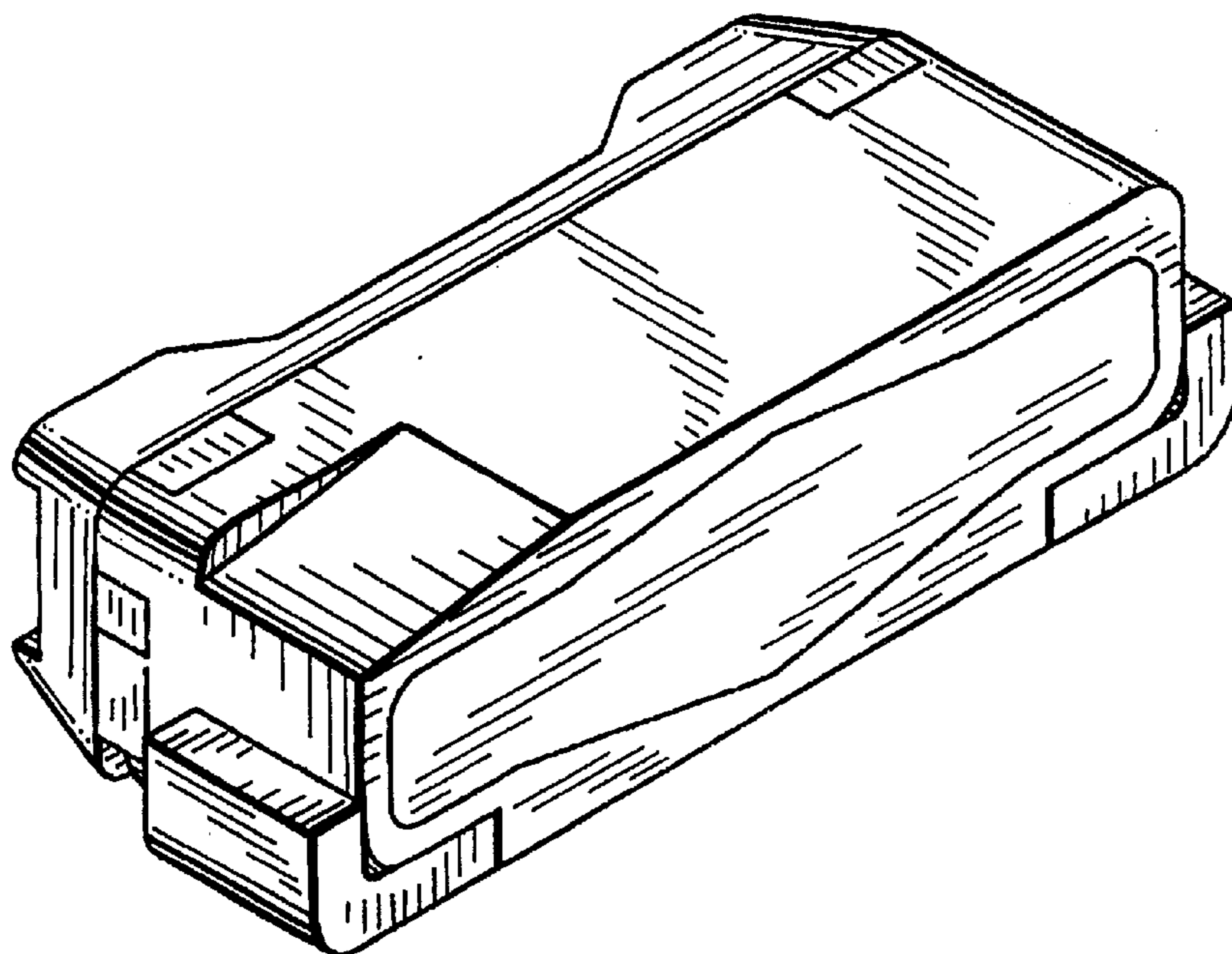


FIG. 1

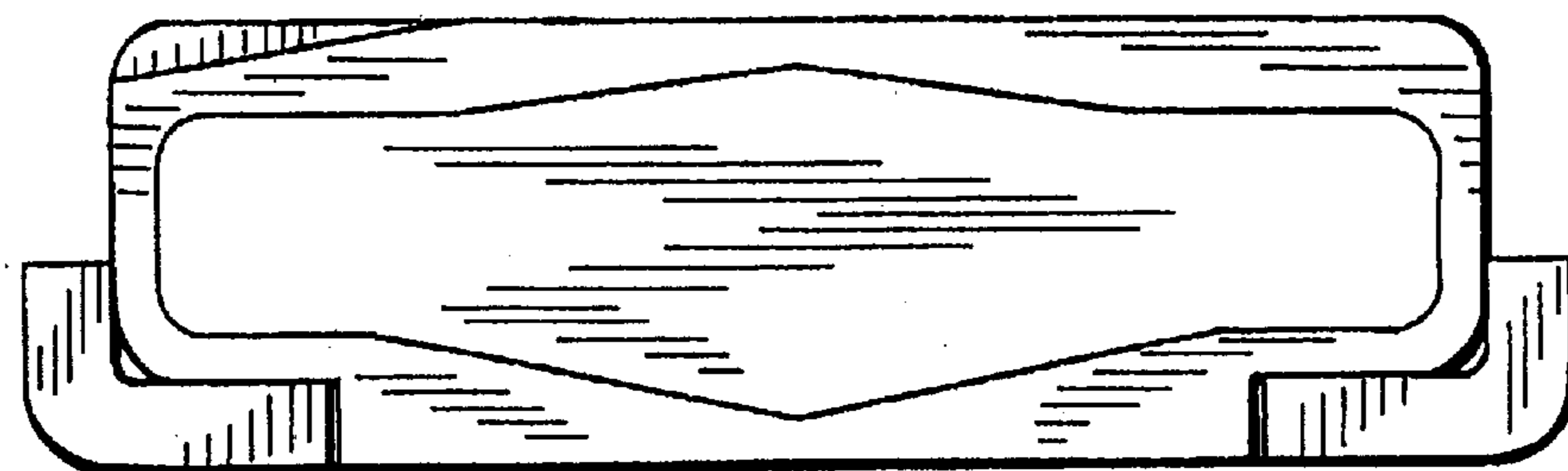


FIG. 2

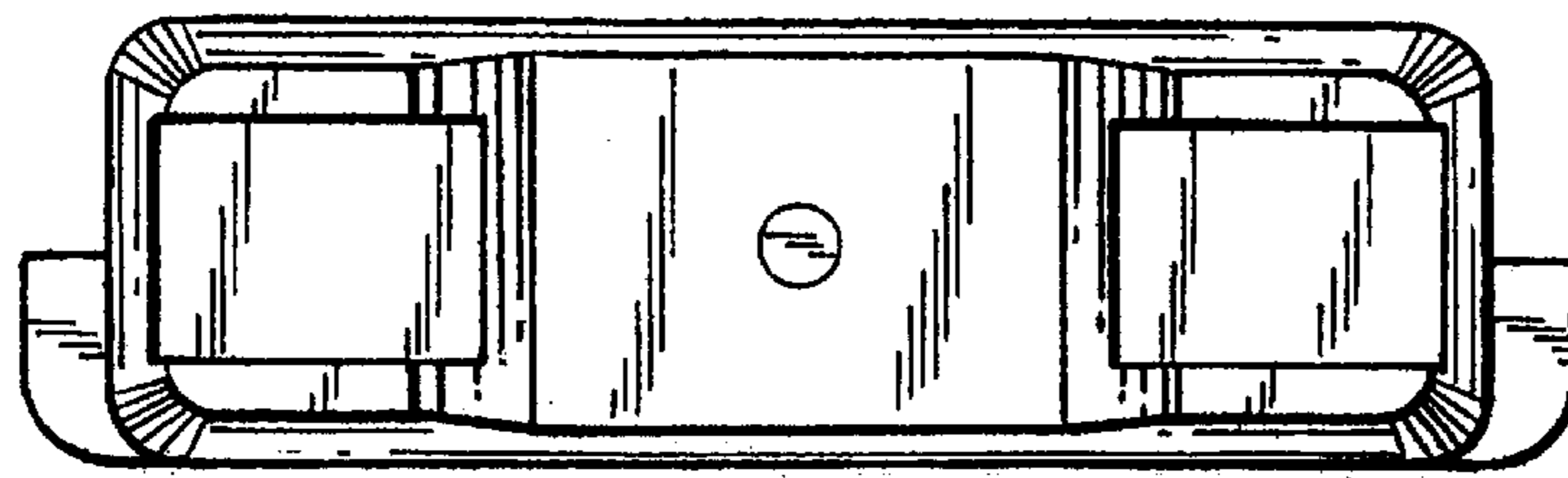


FIG. 3

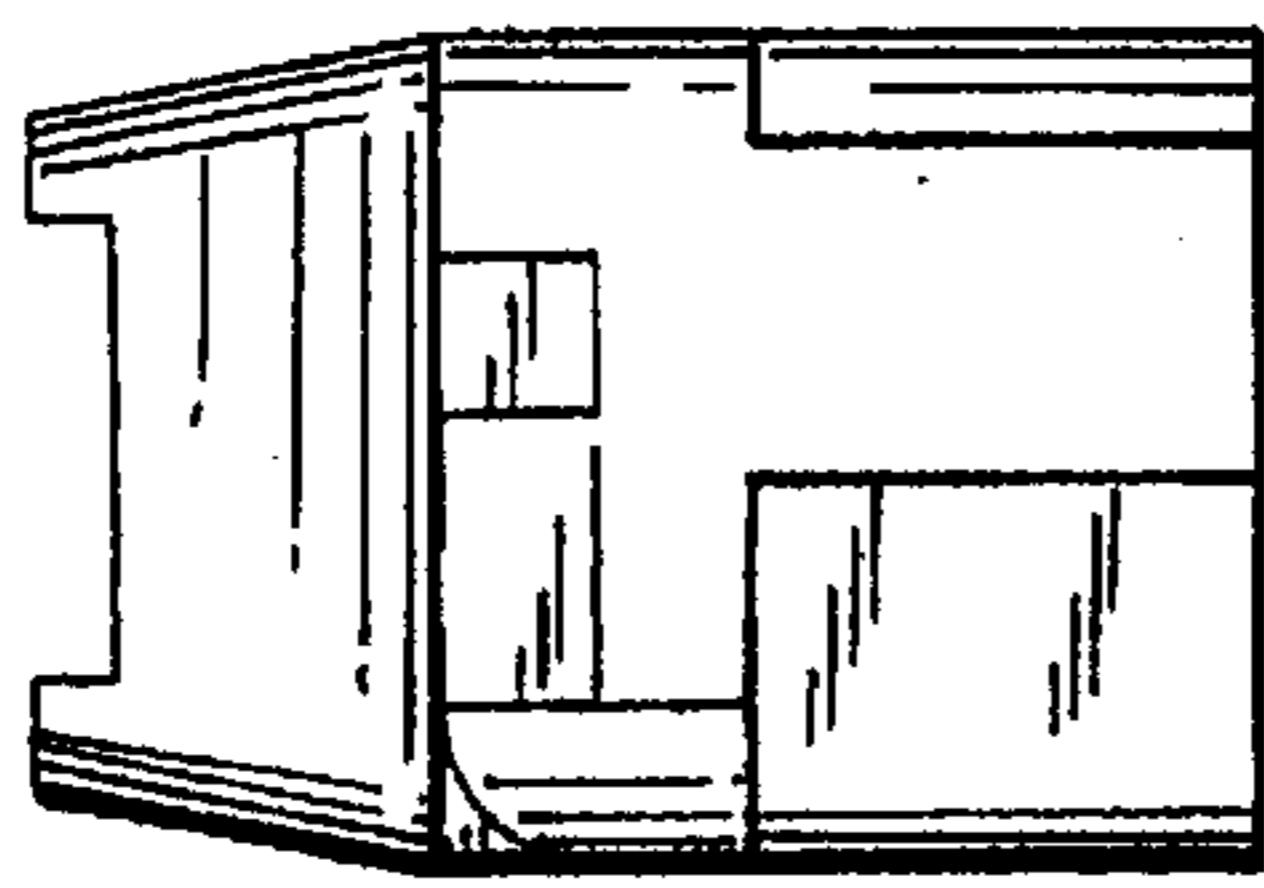


FIG. 4

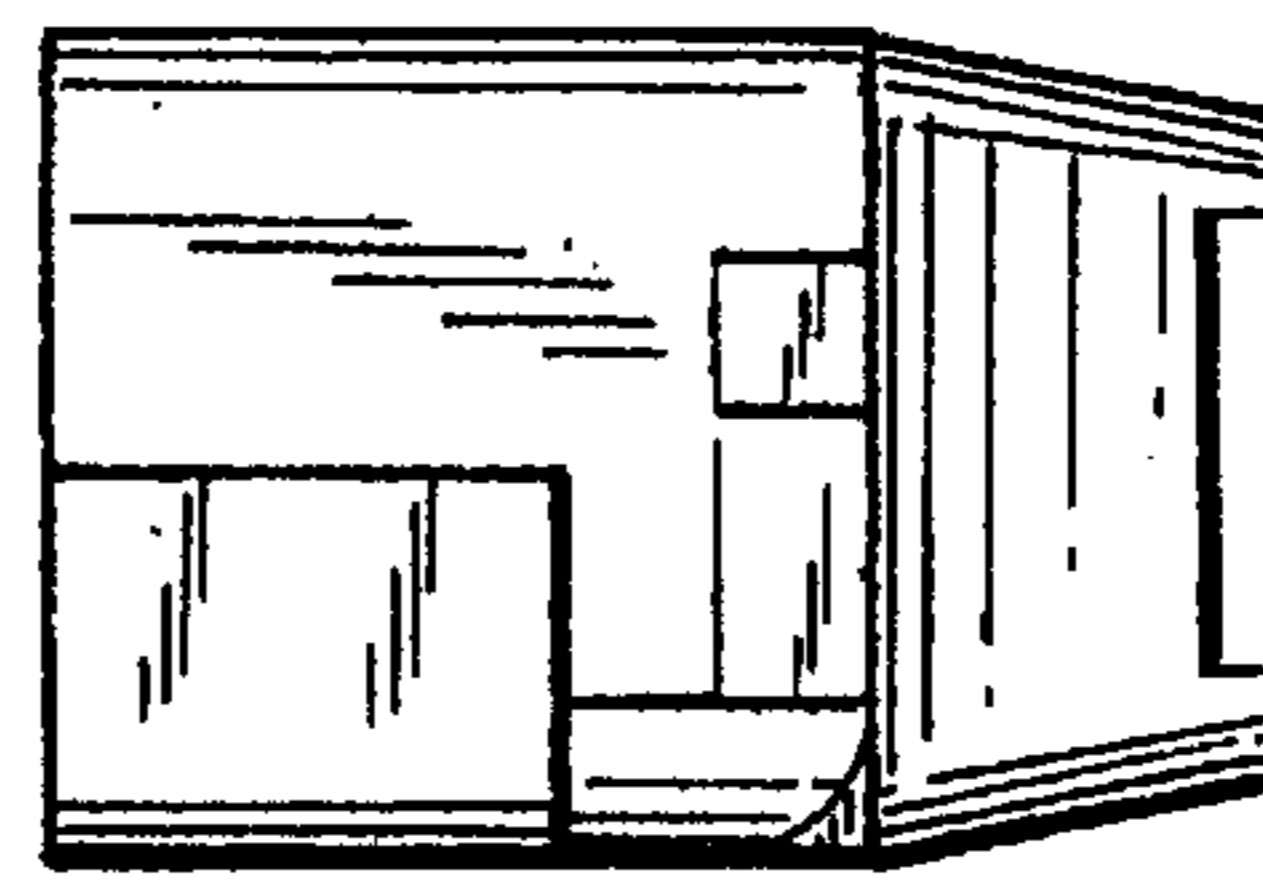


FIG. 5

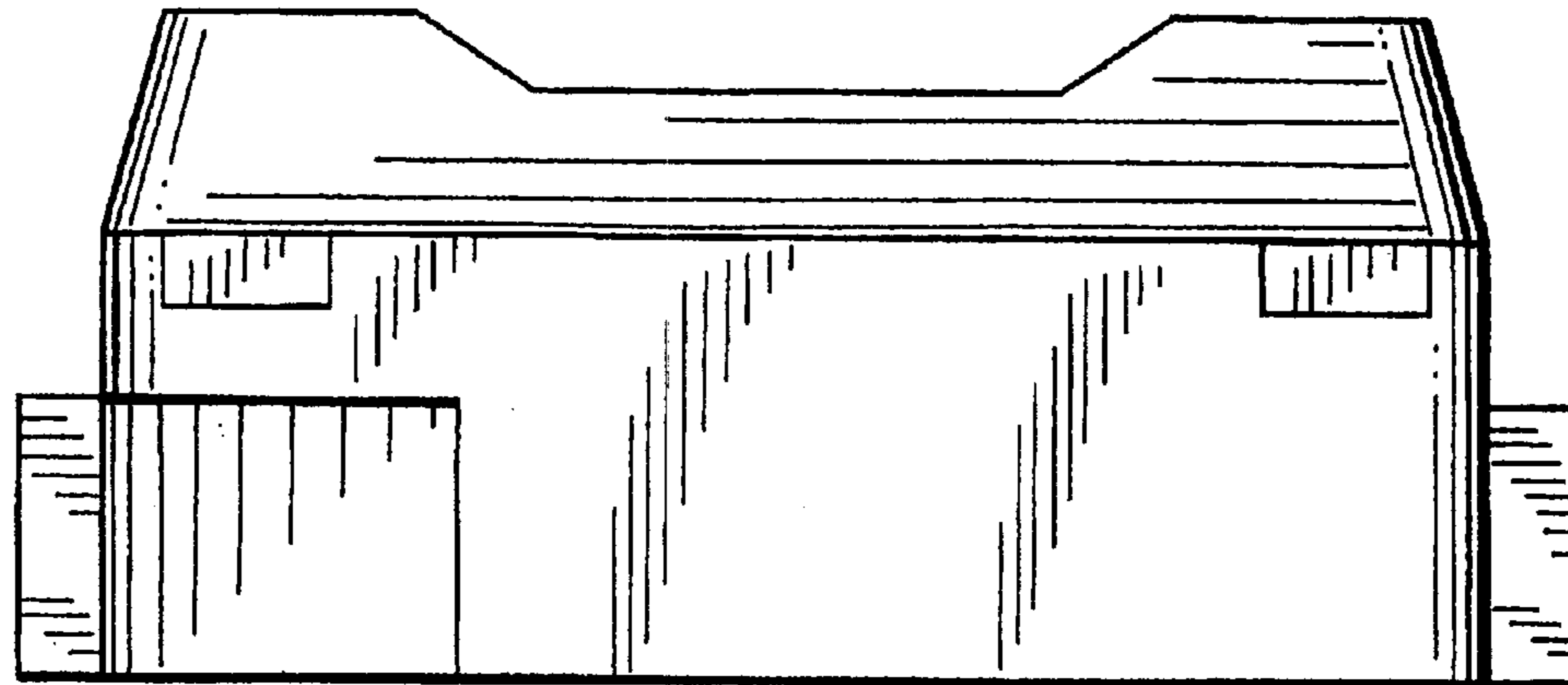


FIG. 6

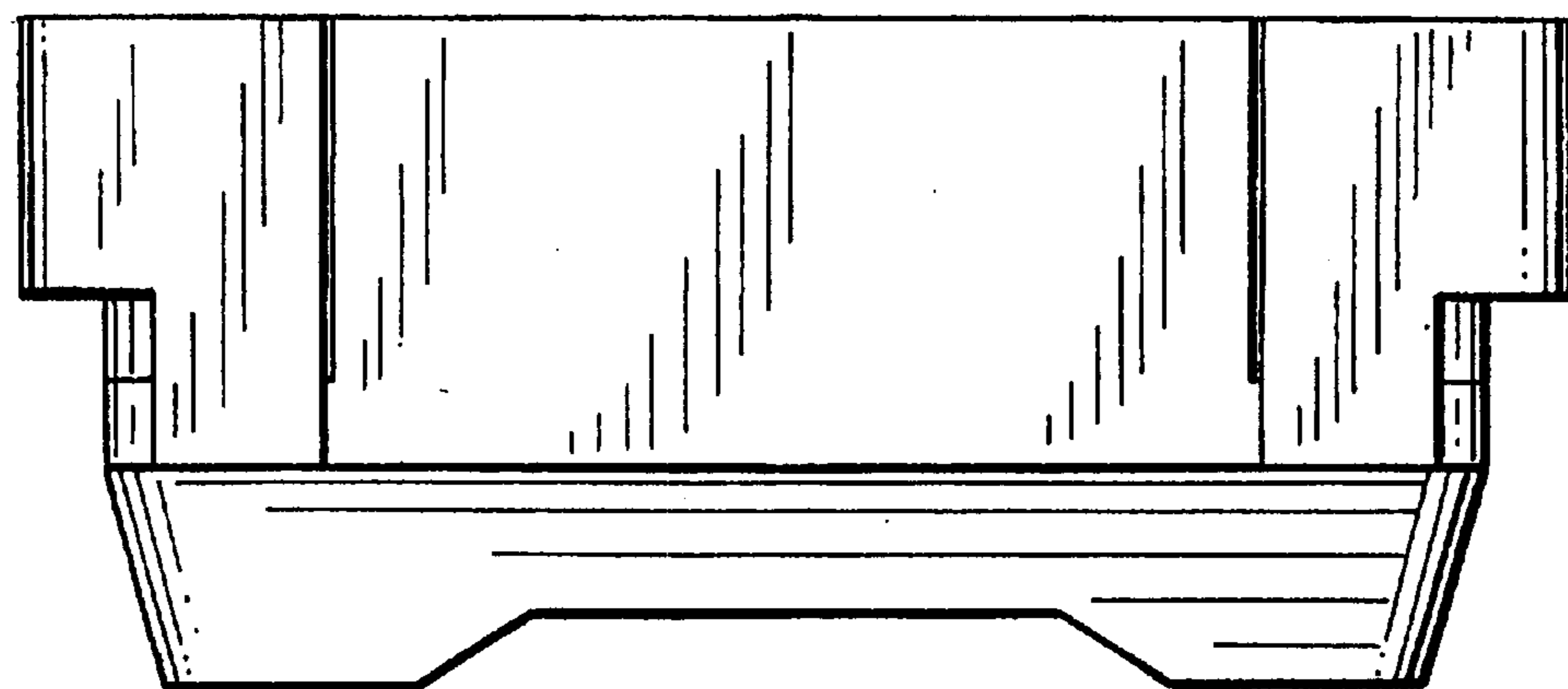


FIG. 7