

US00D541757S

(12) **United States Design Patent**  
**Lee et al.**

(10) **Patent No.:** **US D541,757 S**  
(45) **Date of Patent:** **\*\* May 1, 2007**

(54) **RADIATOR FOR ELECTRONIC PARTS**

(75) Inventors: **Sang Cheol Lee**, Kunpo (KR); **Sun Gyu Yoon**, Suwon (KR); **Sang Jun Jung**, Seoul (KR); **Kook Young Yoon**, Ansan (KR)

(73) Assignee: **Zalman Tech Co., Ltd.** (KR)

(\*\*) Term: **14 Years**

(21) Appl. No.: **29/245,086**

(22) Filed: **Dec. 19, 2005**

(51) **LOC (8) Cl.** ..... **13-03**

(52) **U.S. Cl.** ..... **D13/179**

(58) **Field of Classification Search** ..... D13/179;  
D23/370; 165/80.3, 104.33, 121, 122, 146,  
165/185; 174/16.3; 257/706, 707, 718-722;  
361/687, 695, 697, 700, 702, 704, 709-711,  
361/719

See application file for complete search history.

(56) **References Cited**

**U.S. PATENT DOCUMENTS**

6,452,803 B1 \* 9/2002 Liu ..... 361/704

D480,692 S \* 10/2003 Lee ..... D13/179  
6,913,072 B2 \* 7/2005 Luo ..... 165/104.21  
2006/0061970 A1 \* 3/2006 Lee ..... 361/709  
2006/0219386 A1 \* 10/2006 Hsia et al. .... 165/80.3  
2006/0225866 A1 \* 10/2006 Chen ..... 165/80.3

\* cited by examiner

*Primary Examiner*—Selina Sikder

(74) *Attorney, Agent, or Firm*—Tuchman & Park LLC

(57) **CLAIM**

The ornamental design for a radiator for electronic parts, as shown and described.

**DESCRIPTION**

FIG. 1 is a perspective view of a radiator for electronic parts in accordance with the new design; FIG. 2 is a front elevational view thereof; FIG. 3 is a rear elevational view thereof; FIG. 4 is a left side elevational view thereof; FIG. 5 is a right side elevational view thereof; FIG. 6 is a top plan view thereof; and, FIG. 7 is a bottom plan view thereof.

**1 Claim, 5 Drawing Sheets**

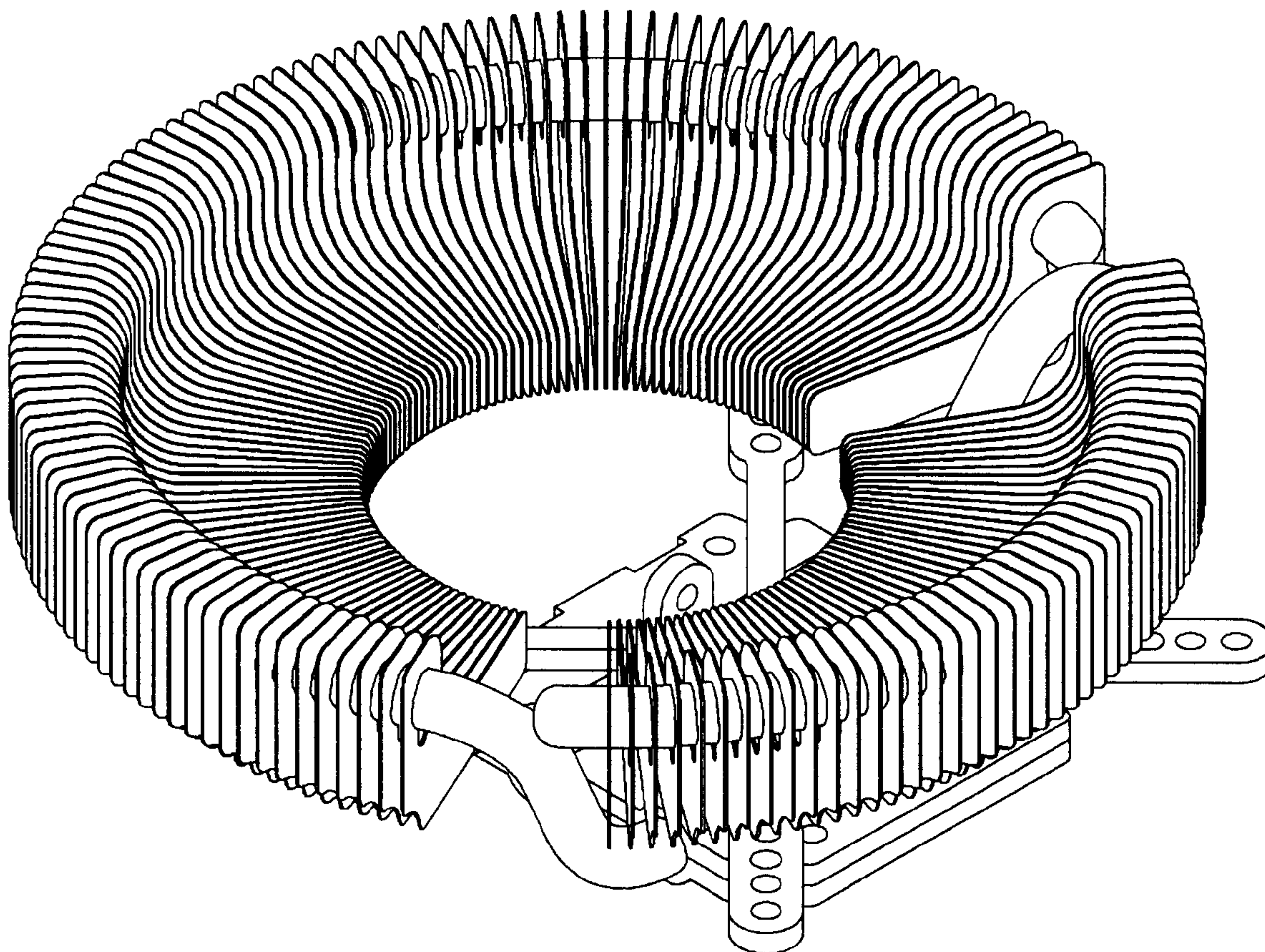


FIG. 1

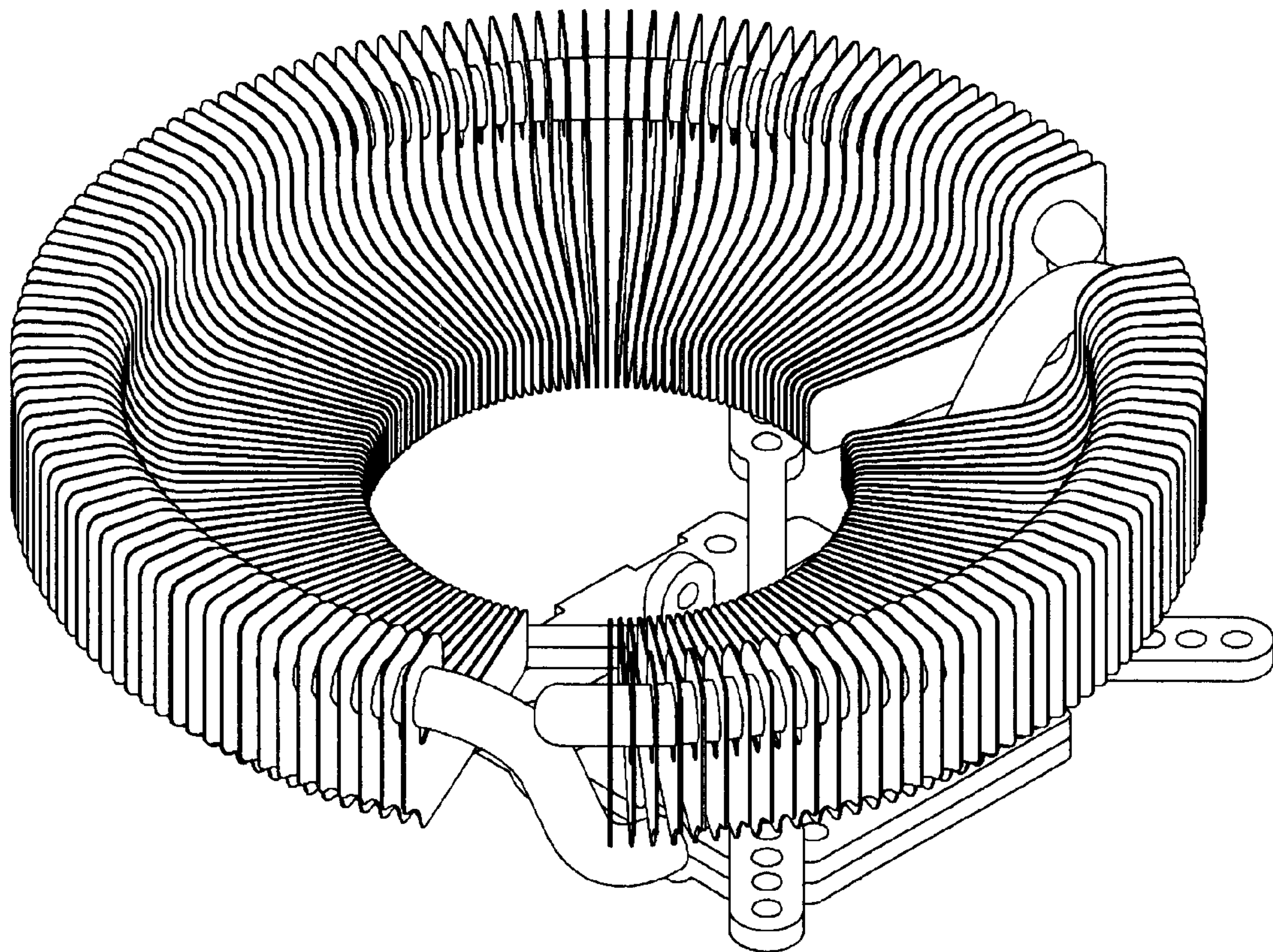


FIG. 2

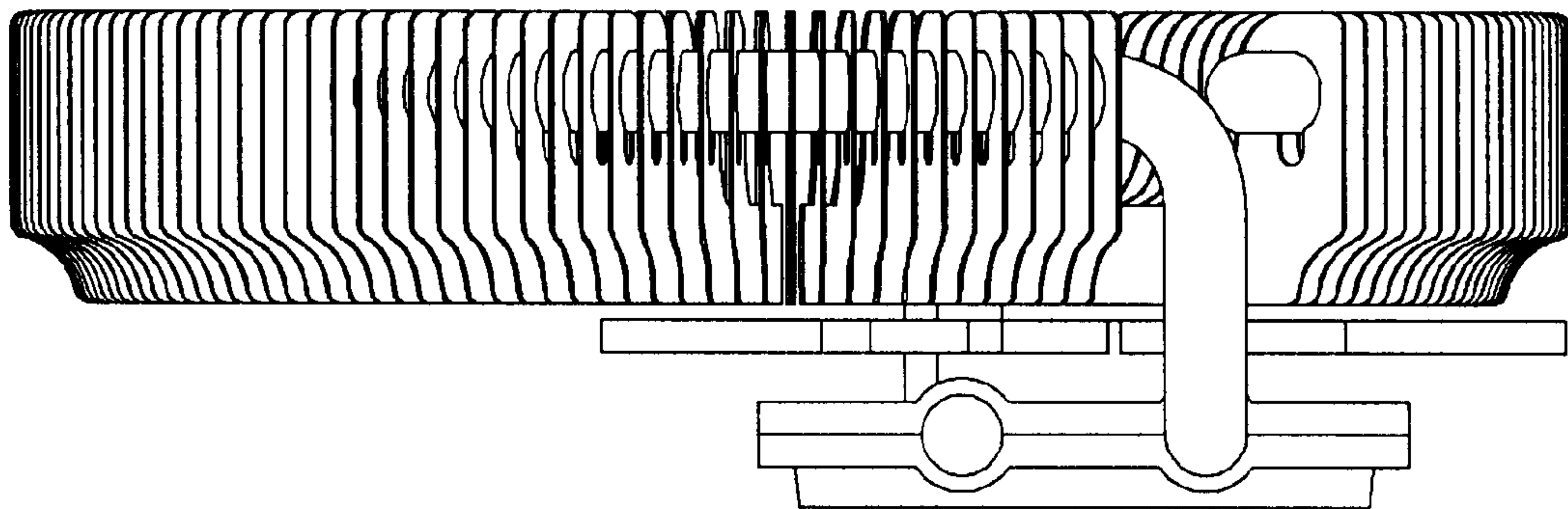


FIG. 3

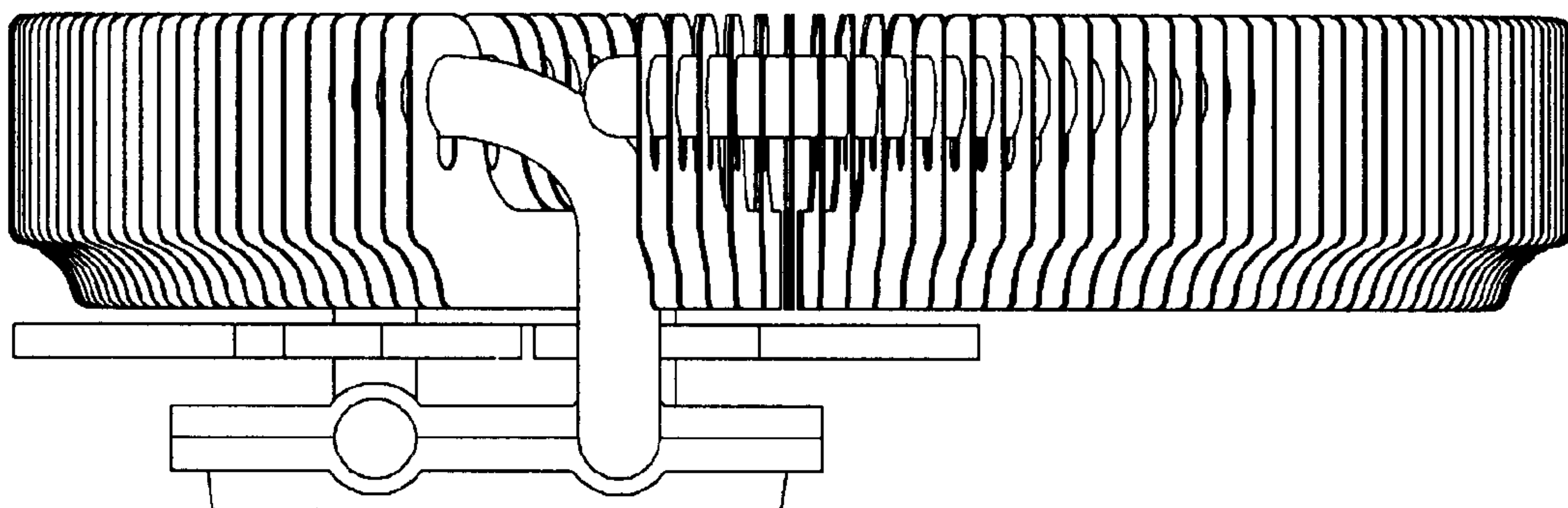




FIG. 4

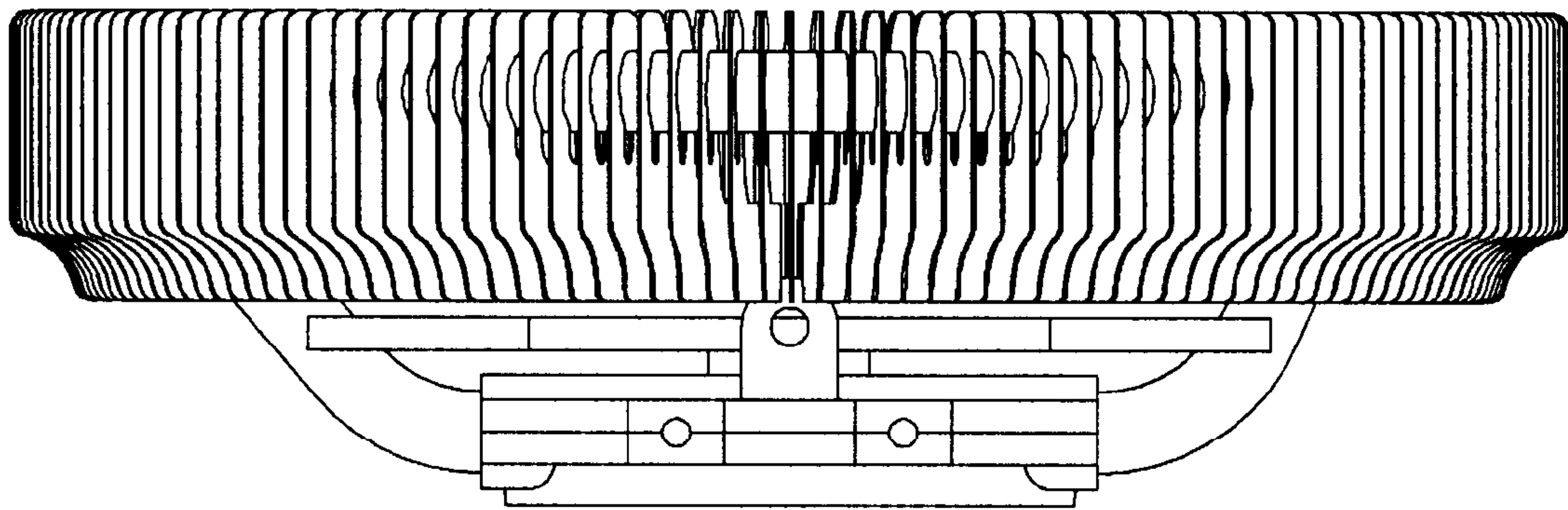


FIG. 5

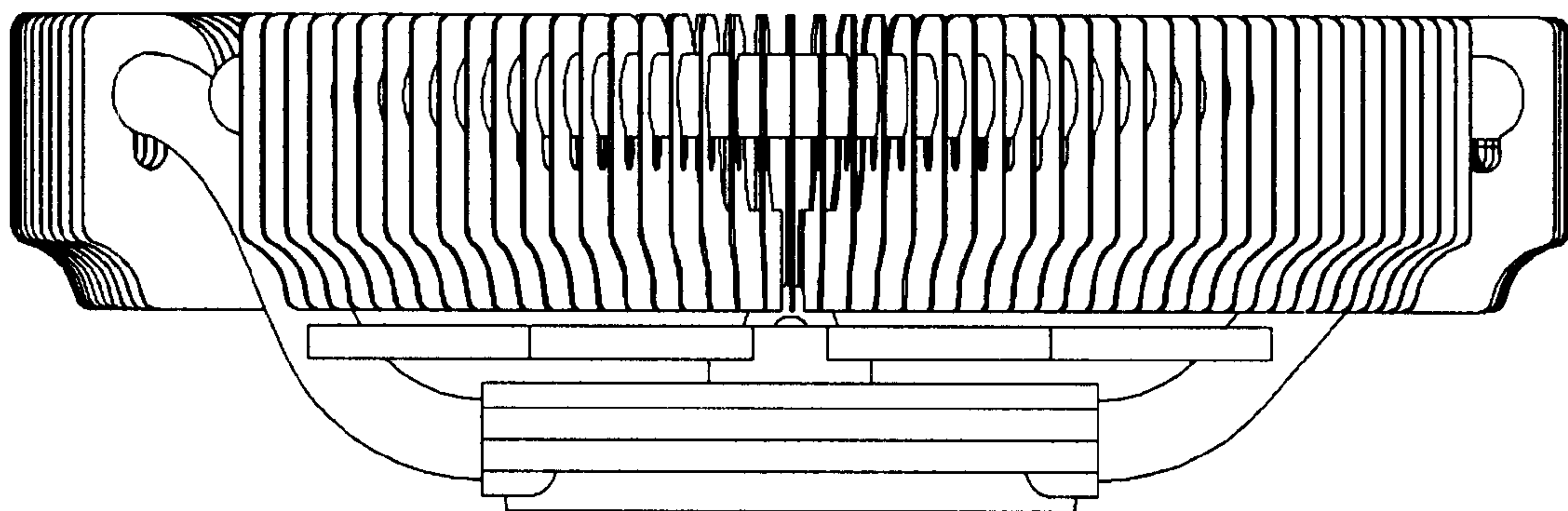


FIG. 6

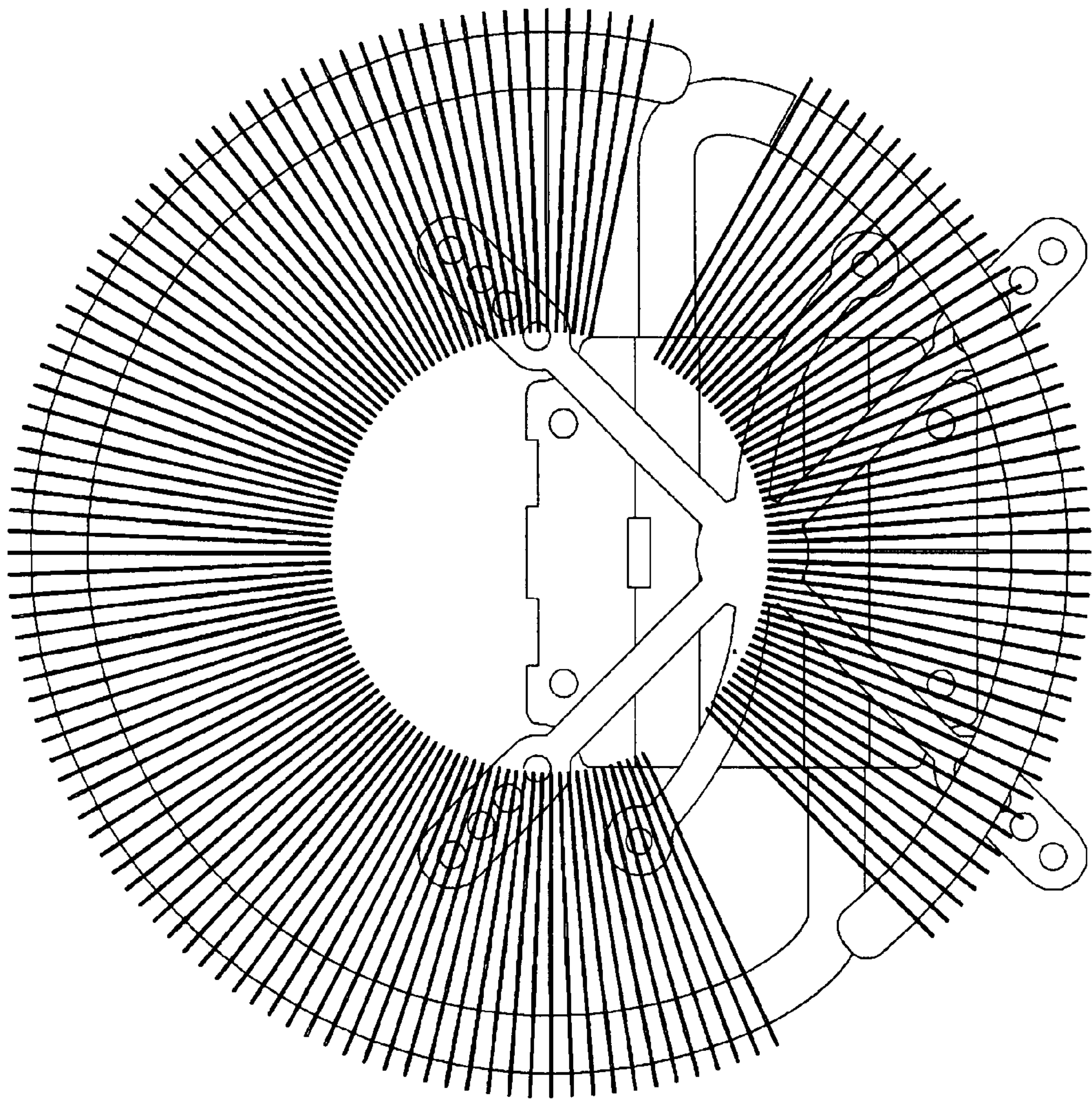


FIG. 7

