

US00D541756S

(12) **United States Design Patent**
Lee

(10) **Patent No.:** **US D541,756 S**
(45) **Date of Patent:** **** May 1, 2007**

(54) **RADIATOR FOR A CHIPSET OF A GRAPHIC CARD**

(75) Inventor: **Sang Cheol Lee, Kunpo (KR)**

(73) Assignee: **Zalman Tech Co., Ltd. (KR)**

(**) Term: **14 Years**

(21) Appl. No.: **29/219,793**

(22) Filed: **Dec. 22, 2004**

(30) **Foreign Application Priority Data**

Sep. 20, 2004 (KR) 30-2004-0029138

(51) **LOC (8) Cl.** **13-03**

(52) **U.S. Cl.** **D13/179**

(58) **Field of Classification Search** D13/179;
D23/370; 165/80.3, 104.33, 121, 122, 146,
165/185; 174/16.3; 257/706, 707, 718-722;
361/687, 695, 697, 700, 702, 704, 709-711,
361/719

See application file for complete search history.

(56) **References Cited**

U.S. PATENT DOCUMENTS

6,289,975	B2 *	9/2001	Kuo	165/80.3
6,295,202	B1 *	9/2001	Tucker et al.	361/704
D466,871	S *	12/2002	Lee	D13/179
D477,291	S *	7/2003	Lee	D13/179
D479,830	S *	9/2003	Lee	D13/179
D480,692	S *	10/2003	Lee	D13/179
6,675,885	B2 *	1/2004	Kuo	165/185
6,712,127	B2 *	3/2004	Lee	165/80.3

6,883,592 B2 * 4/2005 Lee 165/80.3
2006/0061970 A1 * 3/2006 Lee 361/709

* cited by examiner

Primary Examiner—Selina Sikder

(74) *Attorney, Agent, or Firm*—Tuchman & Park LLC

(57) **CLAIM**

I claim the ornamental design for a radiator for a chipset of a graphic card, as shown and described in the drawings.

DESCRIPTION

FIG. 1 is a perspective view of a radiator for a chipset of a graphic card in accordance with the new design;
FIG. 2 is a front view of the radiator of FIG. 1 according to the new design;
FIG. 3 is a rear view of the radiator of FIG. 1 according to the new design;
FIG. 4 is a left side view of the radiator of FIG. 1 according to the new design;
FIG. 5 is a right side view of the radiator of FIG. 1 according to the new design;
FIG. 6 is a top plan view of the radiator of FIG. 1 according to the new design;
FIG. 7 is a bottom plan view of the radiator of FIG. 1 according to the new design; and,
FIG. 8 is a perspective view illustrating use of the radiator according to the new design.

The broken lines in FIG. 8 indicate environmental elements for illustrative purposes only and form no part of the claimed design.

1 Claim, 6 Drawing Sheets

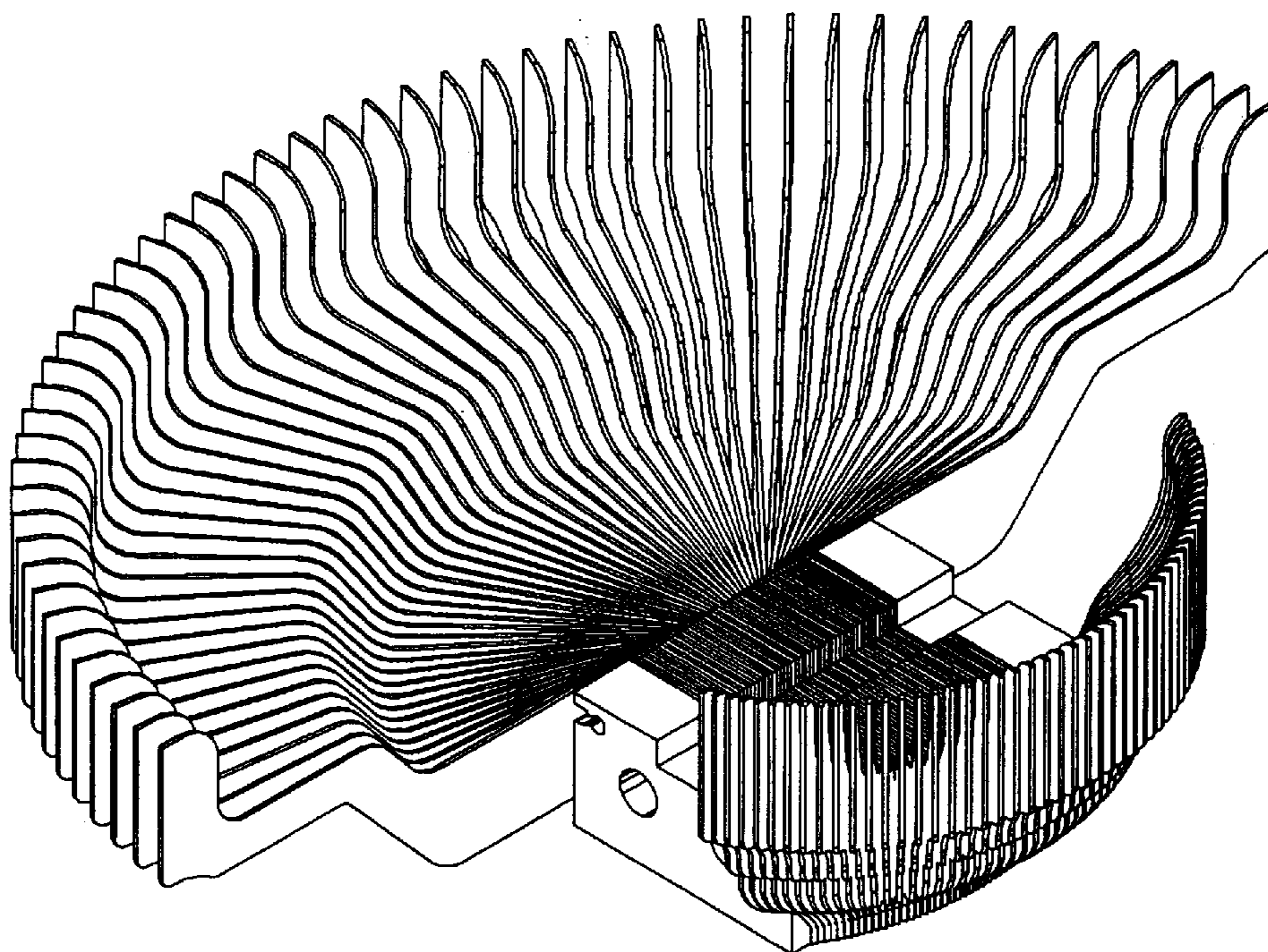


FIG. 1

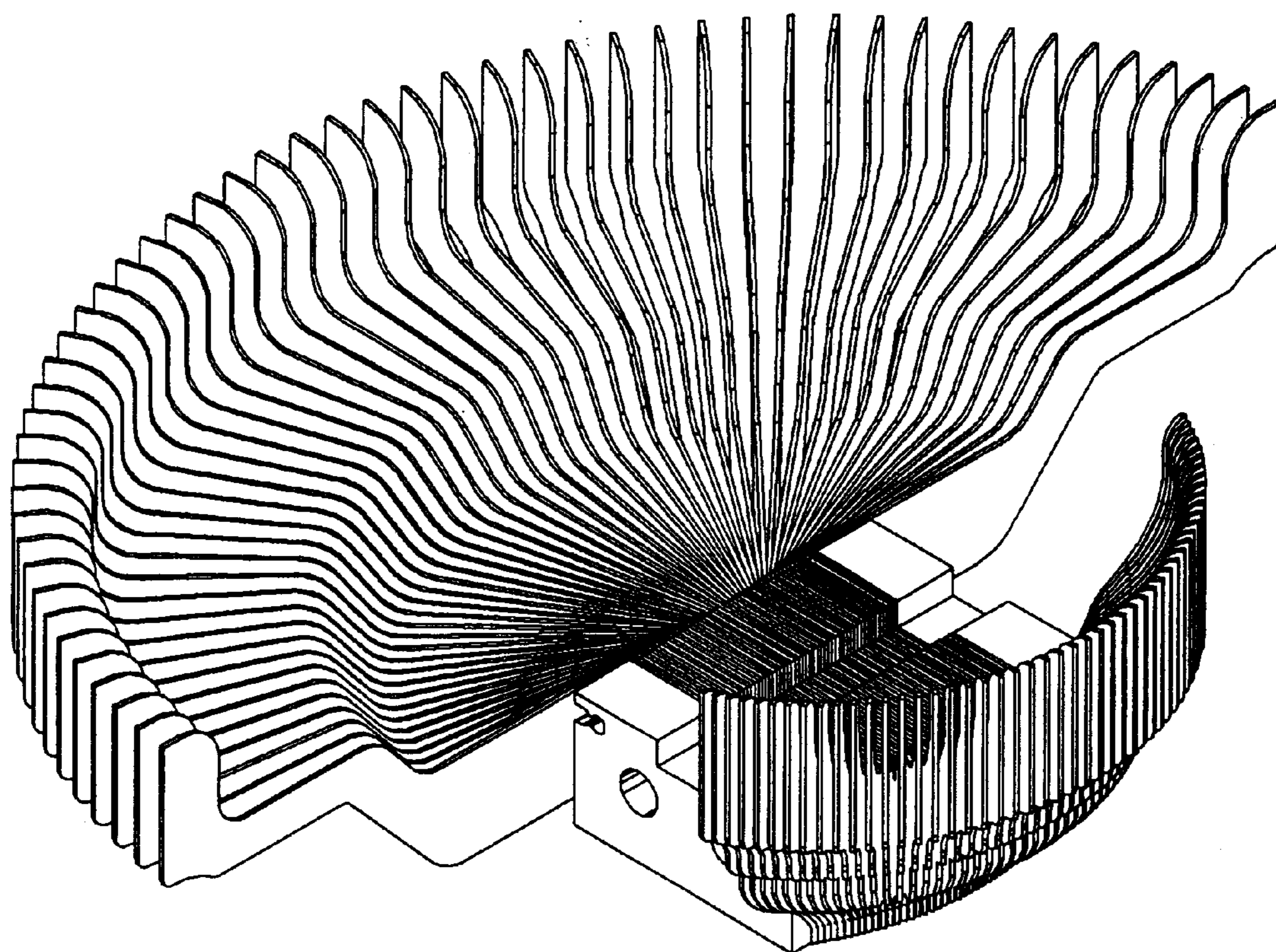


FIG. 2

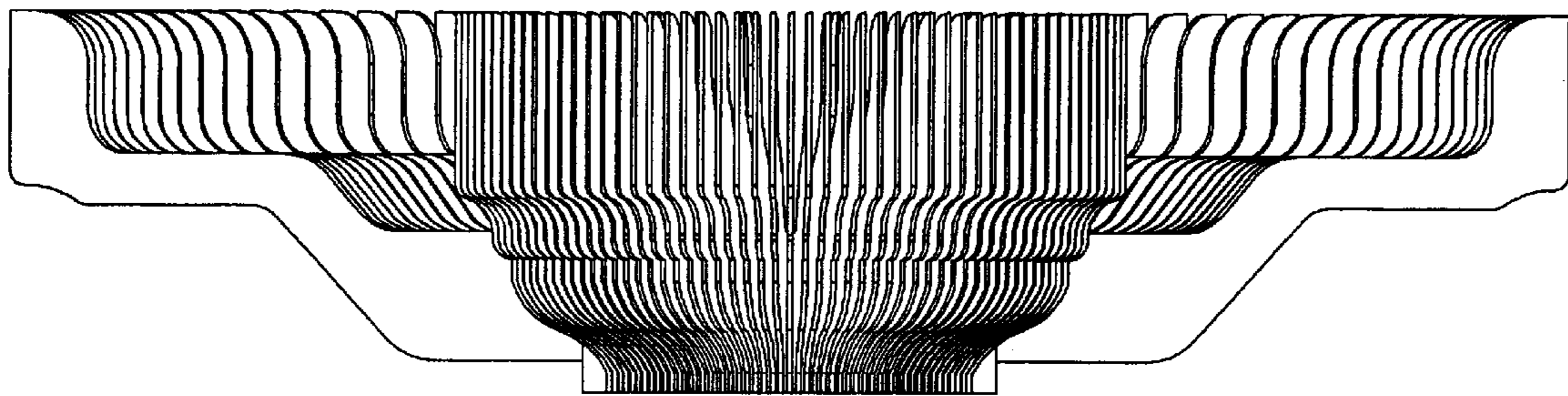


FIG. 3

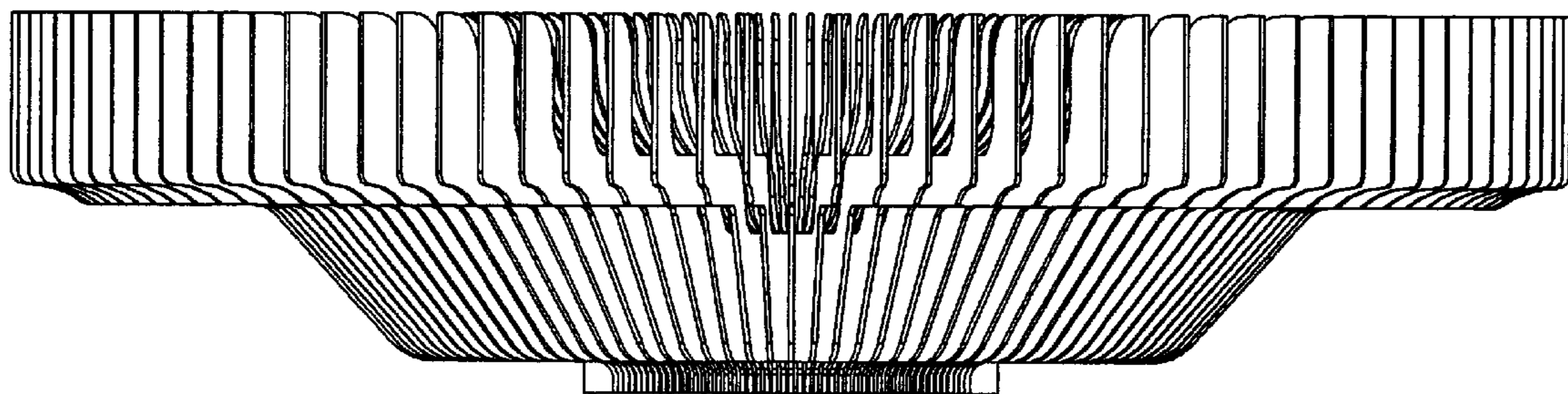


FIG. 4

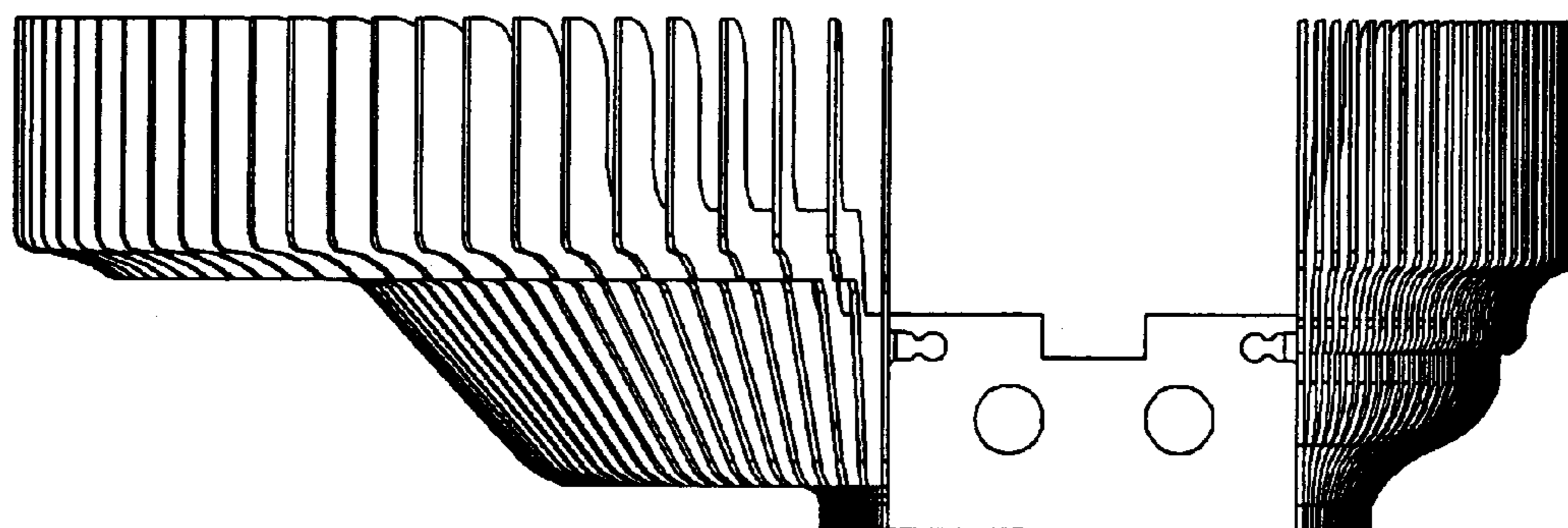


FIG. 5

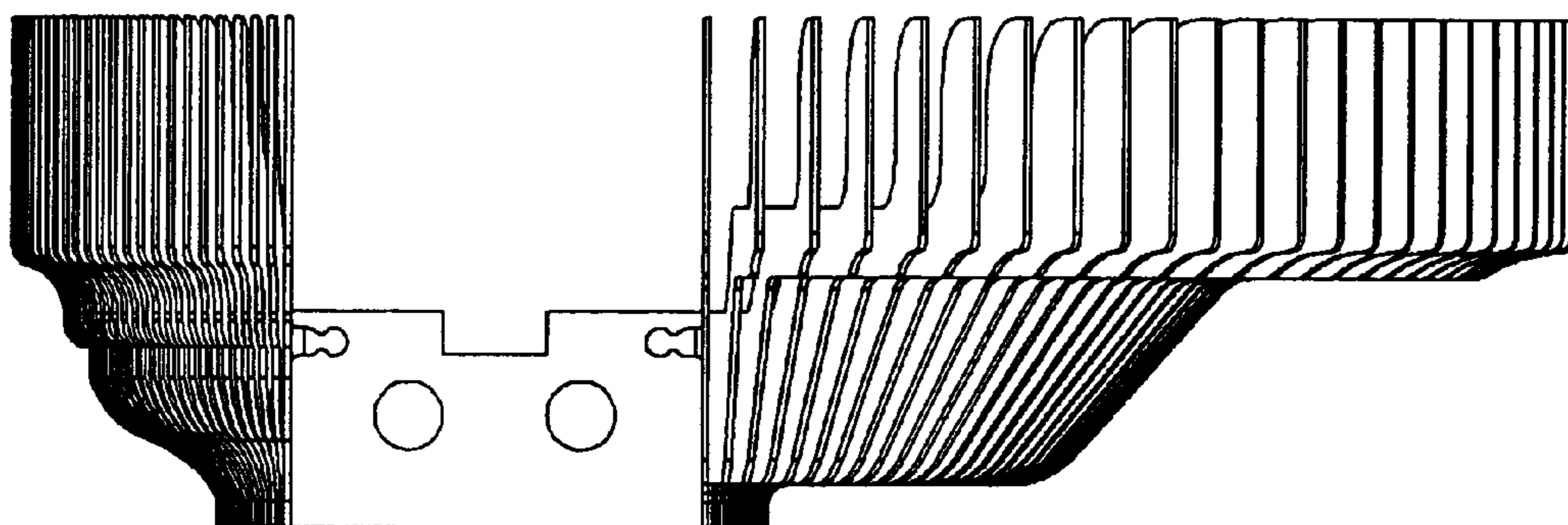


FIG. 6

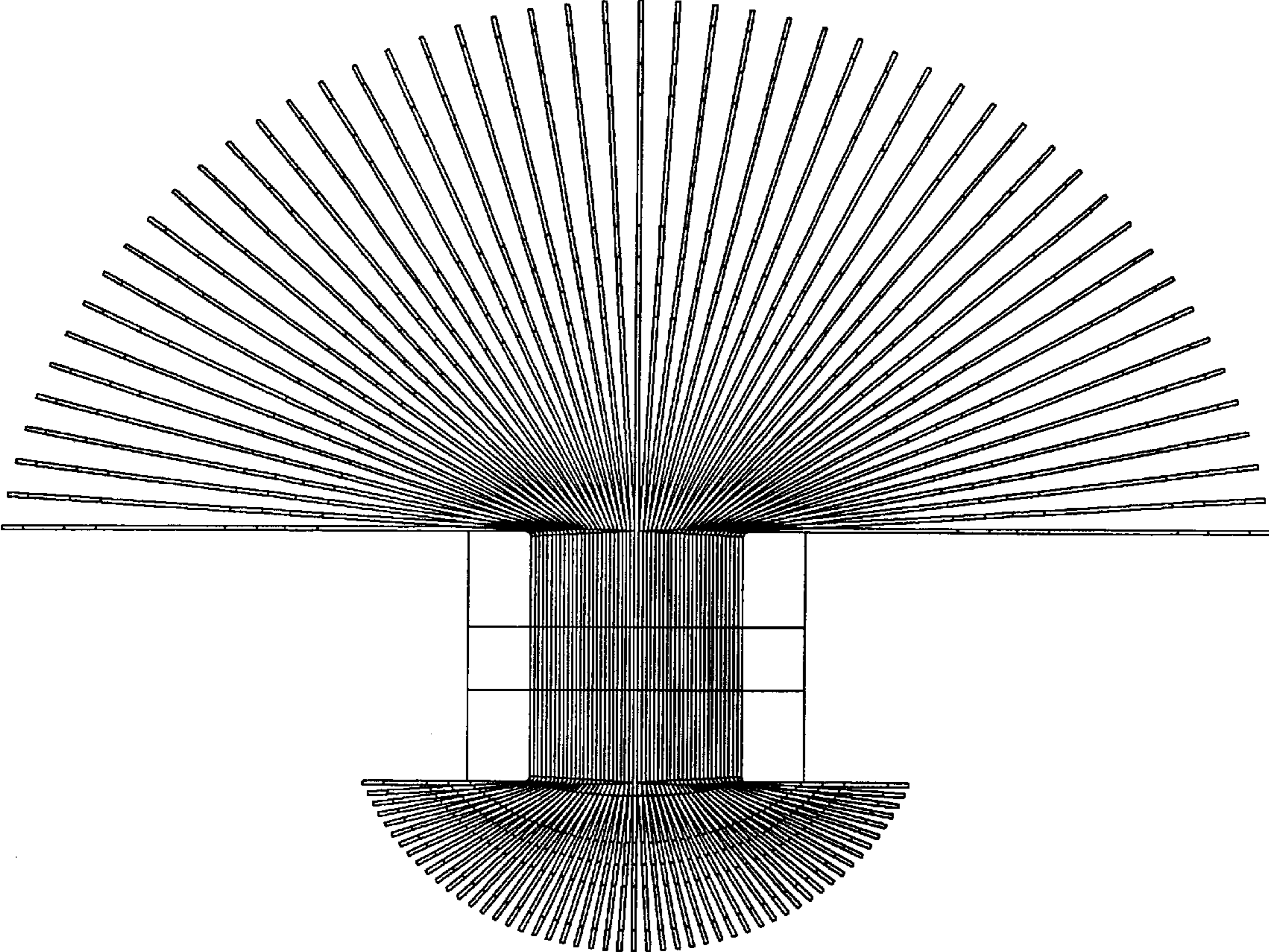


FIG. 7

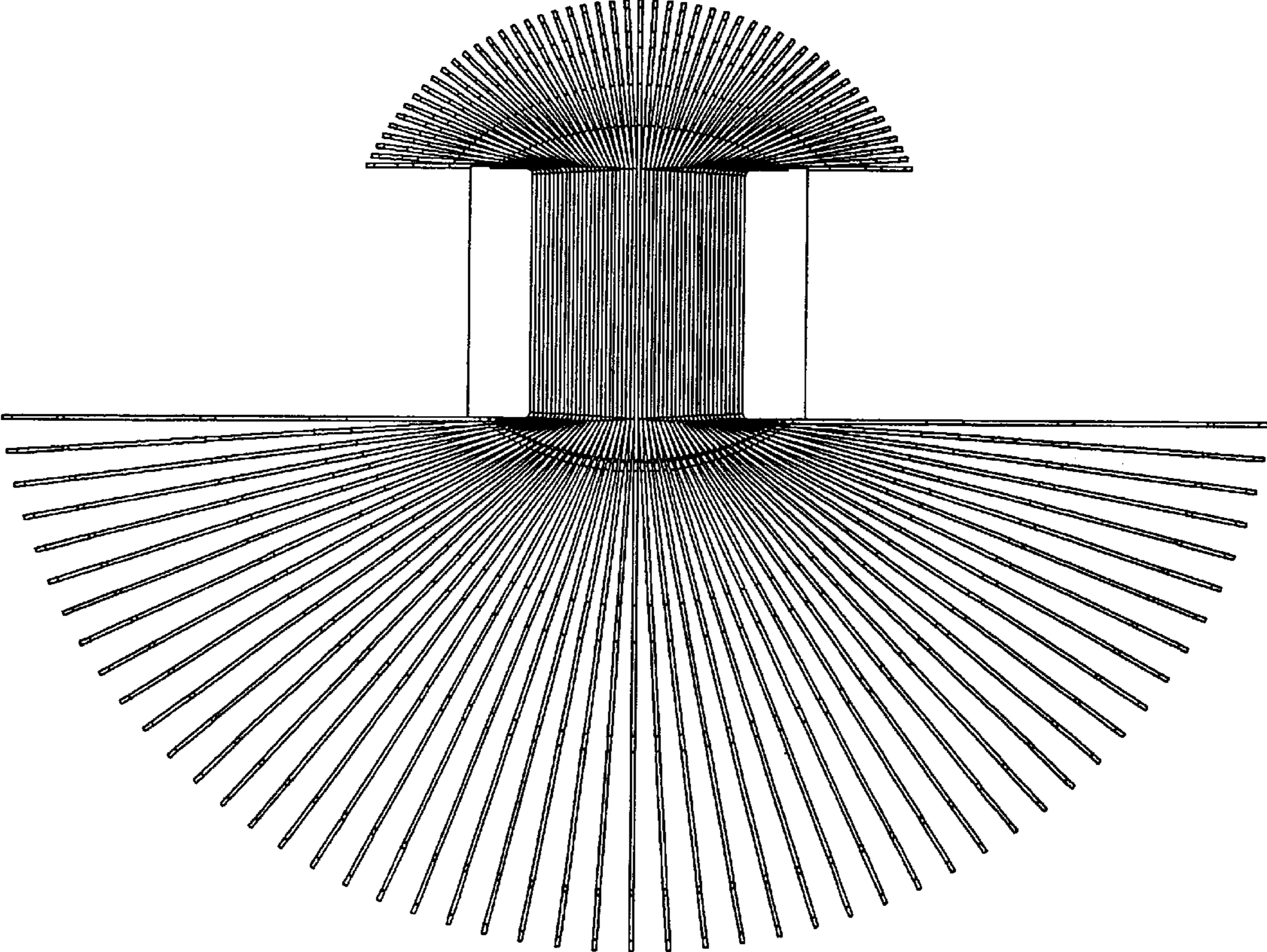


FIG. 8

