

US00D541750S

(12) **United States Design Patent**
Yoshikai

(10) **Patent No.:** **US D541,750 S**

(45) **Date of Patent:** **** *May 1, 2007**

- (54) **ELECTRICAL CONNECTOR**
- (75) Inventor: **Yasuyoshi Yoshikai**, Kawasaki (JP)
- (73) Assignee: **IRISO Electronics Co., Ltd.**,
Kawasaki-shi (JP)
- (*) Notice: This patent is subject to a terminal disclaimer.
- (**) Term: **14 Years**

| | | | | | |
|-----------------|---|---------|------------------|-------|---------|
| D453,319 S | * | 2/2002 | Yokoyama | | D13/147 |
| D470,109 S | * | 2/2003 | Yokoyama et al. | | D13/147 |
| D471,522 S | * | 3/2003 | Azuma | | D13/147 |
| 6,561,843 B1 | * | 5/2003 | Ma et al. | | 439/495 |
| D482,001 S | * | 11/2003 | Hisamatsu et al. | | D13/147 |
| D497,596 S | * | 10/2004 | Hisamatsu et al. | | D13/147 |
| D502,143 S | * | 2/2005 | Chiu et al. | | D13/147 |
| D502,686 S | * | 3/2005 | Chiu et al. | | D13/147 |
| 2003/0104721 A1 | * | 6/2003 | Yu | | 439/495 |
| 2006/0089036 A1 | * | 4/2006 | Takai et al. | | 439/260 |

- (21) Appl. No.: **29/235,986**
- (22) Filed: **Aug. 10, 2005**
- (30) **Foreign Application Priority Data**
Mar. 1, 2005 (JP) 2005-005926

FOREIGN PATENT DOCUMENTS

JP 2003-100370 4/2003
* cited by examiner

Primary Examiner—Daniel Bui
(74) *Attorney, Agent, or Firm*—Lowe, Hauptman, & Berman LLP

- (51) **LOC (8) Cl.** **13-03**
- (52) **U.S. Cl.** **D13/147**
- (58) **Field of Classification Search** D13/133,
D13/146–147, 149, 154, 184; D14/432–436,
D14/438; 439/64, 79, 159–160, 260, 325,
439/329, 395, 422, 492, 495, 607–610, 630,
439/862
See application file for complete search history.

(57) **CLAIM**
The ornamental design for an electrical connector, as shown.

- (56) **References Cited**
U.S. PATENT DOCUMENTS
5,688,143 A * 11/1997 McHugh et al. 439/495
5,800,204 A * 9/1998 Niitsu 439/495
D444,130 S * 6/2001 Hayashi et al. D13/147

DESCRIPTION

FIG. 1 is a front view of an electrical connector showing my design;
FIG. 2 is a rear view thereof;
FIG. 3 is a left side view thereof;
FIG. 4 is a top plan view thereof;
FIG. 5 is a bottom plan view thereof;
FIG. 6 is a perspective view from the front side thereof; and,
FIG. 7 is a perspective view from the rear side thereof.

1 Claim, 4 Drawing Sheets

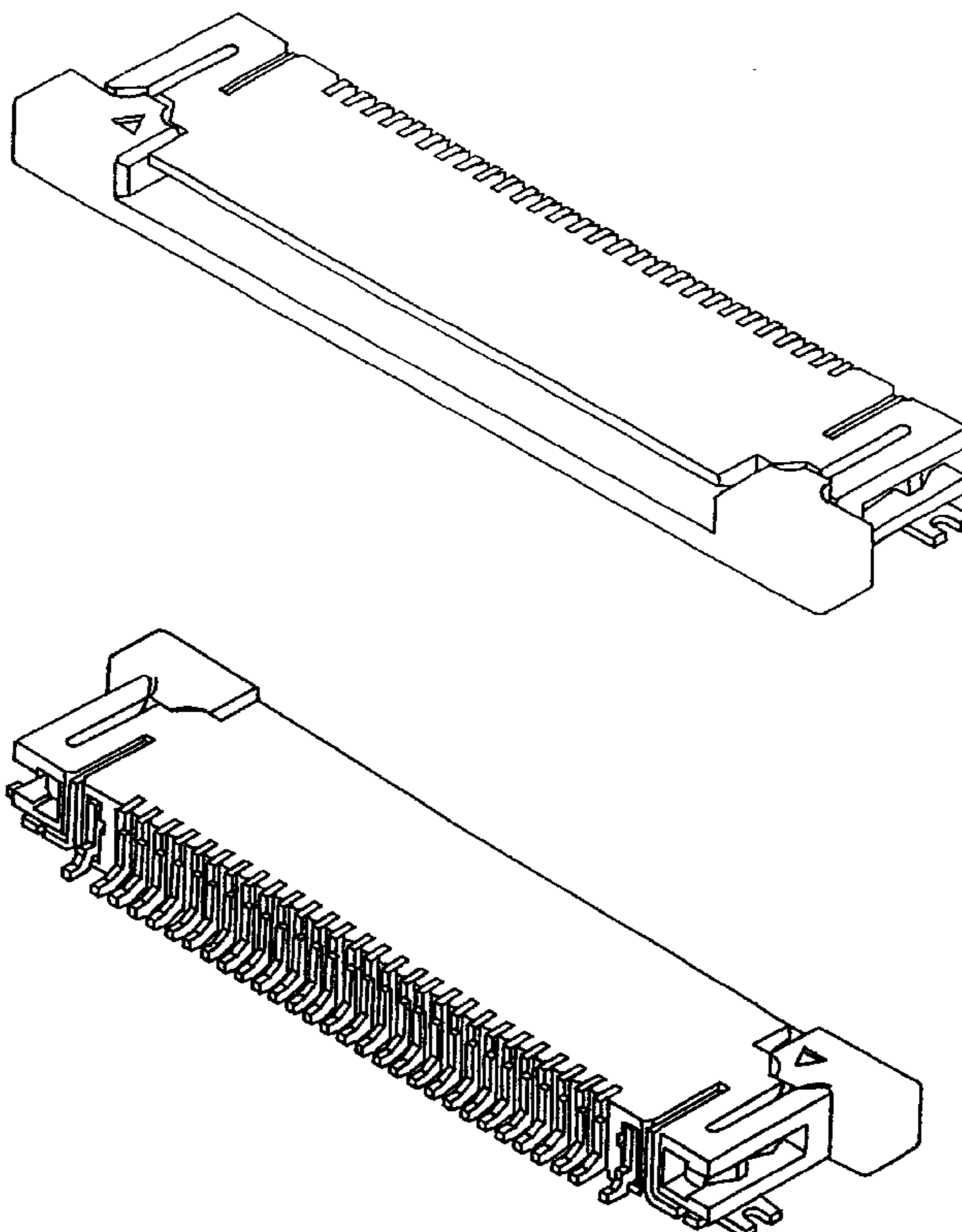


FIG. 1

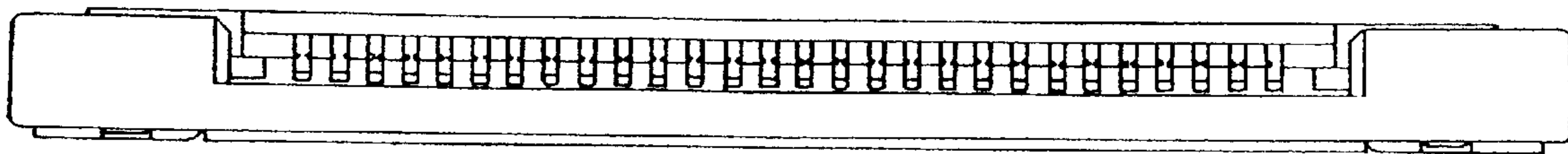


FIG. 2

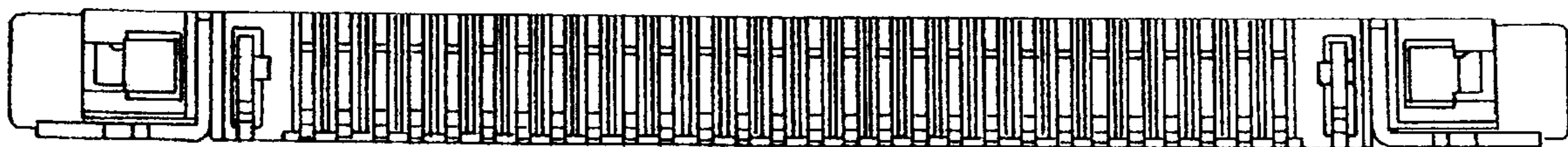


FIG. 3

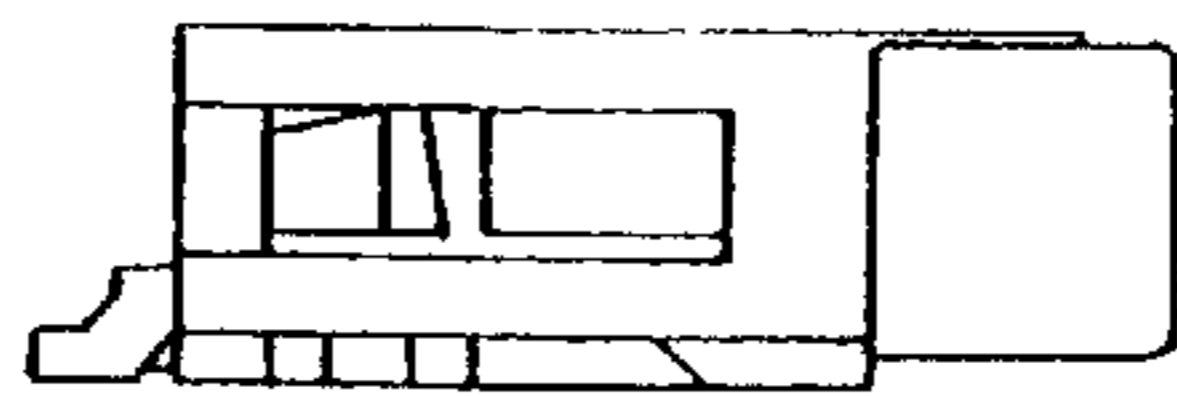


FIG. 4

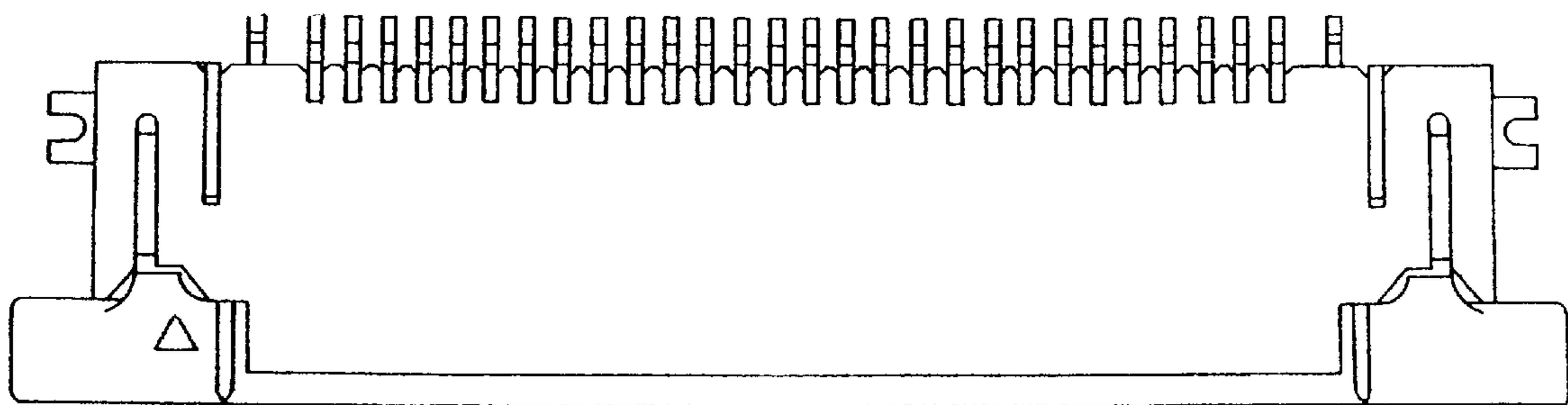


FIG. 5

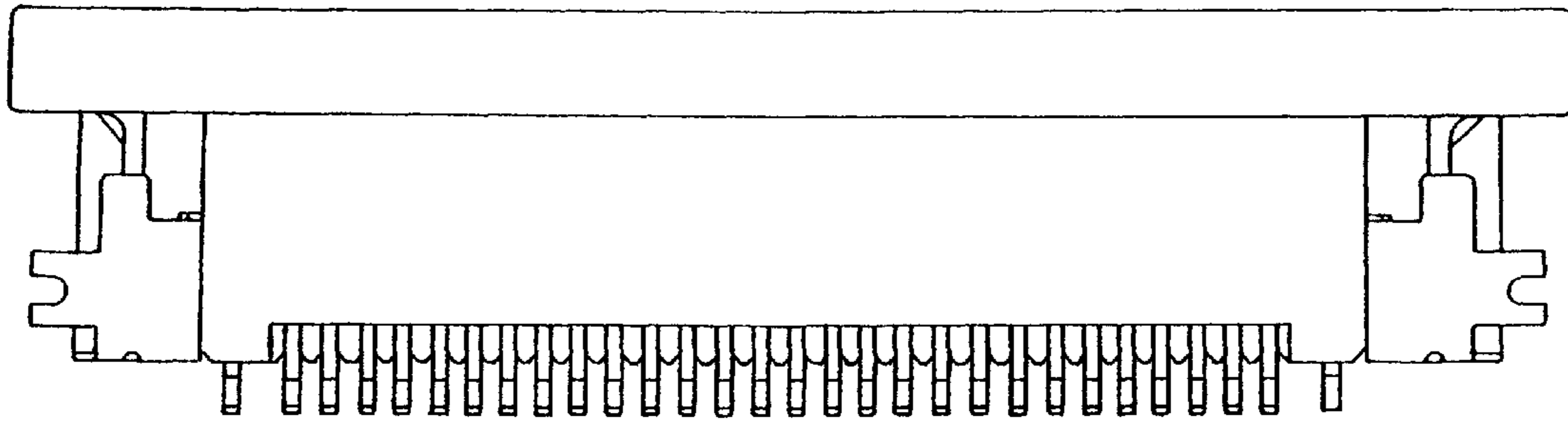


FIG. 6

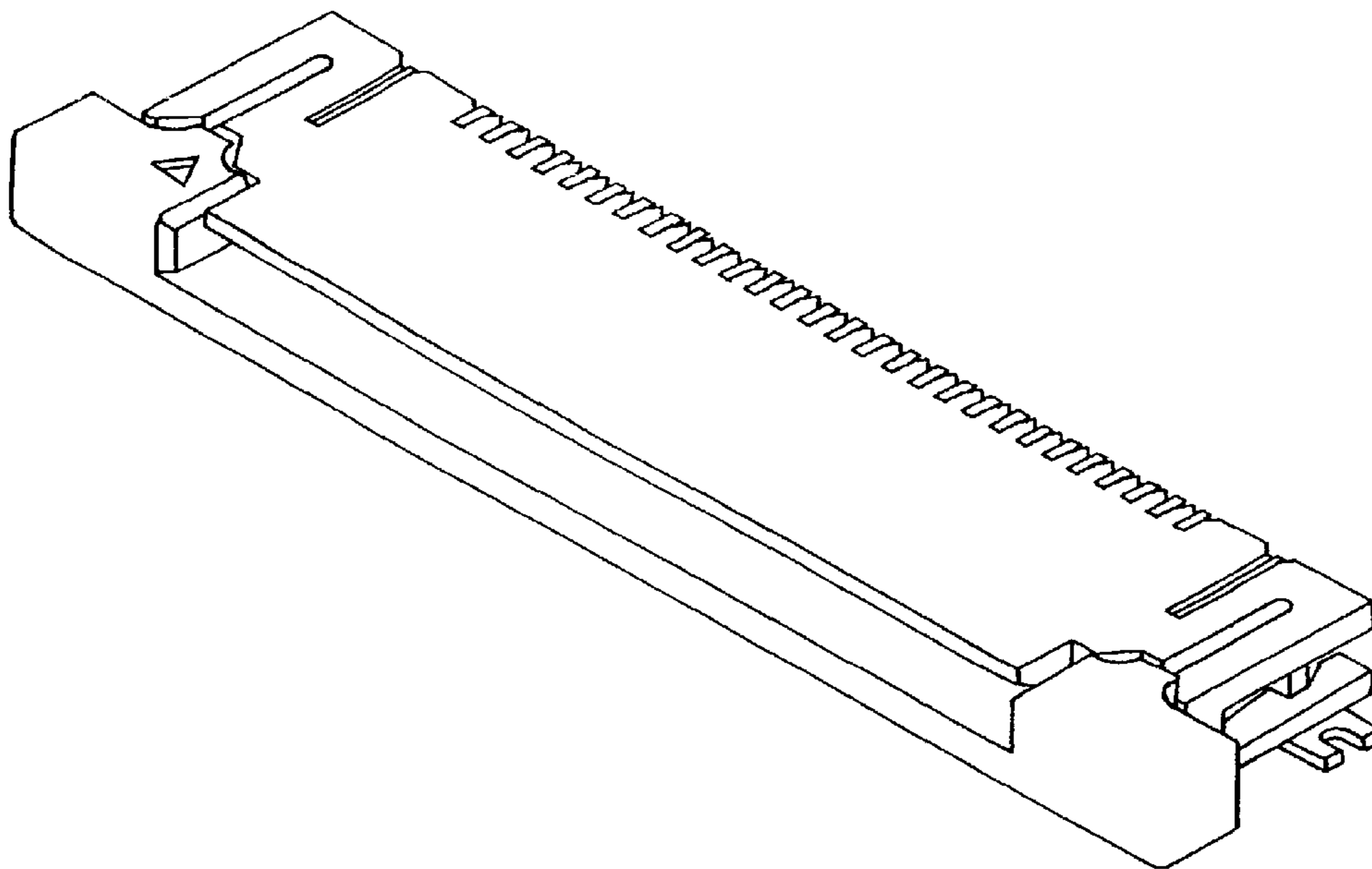


FIG. 7

