



US00D541749S

(12) **United States Design Patent**
Li

(10) **Patent No.:** **US D541,749 S**

(45) **Date of Patent:** **** May 1, 2007**

(54) **ELECTRICAL CONNECTOR**

(75) Inventor: **Chao-Chang Li**, Santa Clara, CA (US)

(73) Assignee: **Hon Hai Precision Ind. Co., Ltd.**,
Taipei Hsien (TW)

(**) Term: **14 Years**

(21) Appl. No.: **29/225,588**

(22) Filed: **Mar. 16, 2005**

(30) **Foreign Application Priority Data**

Sep. 16, 2004 (CN) 200430070363X

(51) **LOC (8) Cl.** **13-03**

(52) **U.S. Cl.** **D13/147**

(58) **Field of Classification Search** D13/123,
D13/133, 146-147, 154, 184; D14/432-433,
D14/435-436, 439; D16/200, 218; 439/71-73,
439/83, 638, 330-331, 607-610, 625-626,
439/629-631, 680, 876

See application file for complete search history.

(56) **References Cited**

U.S. PATENT DOCUMENTS

- 5,073,116 A * 12/1991 Beck, Jr. 439/71
- 5,364,278 A * 11/1994 Laub 439/69
- 5,588,847 A * 12/1996 Tate 439/71

- D382,578 S * 8/1997 Cieslikowski D16/200
- 6,393,698 B1 * 5/2002 Kuriyama et al. 29/883
- D524,749 S * 7/2006 Wang et al. D13/147
- 7,077,680 B1 * 7/2006 Wang et al. 439/331
- 2005/0239302 A1 * 10/2005 Wada 439/71

* cited by examiner

Primary Examiner—Daniel Bui

(74) *Attorney, Agent, or Firm*—Wei Te Chung

(57) **CLAIM**

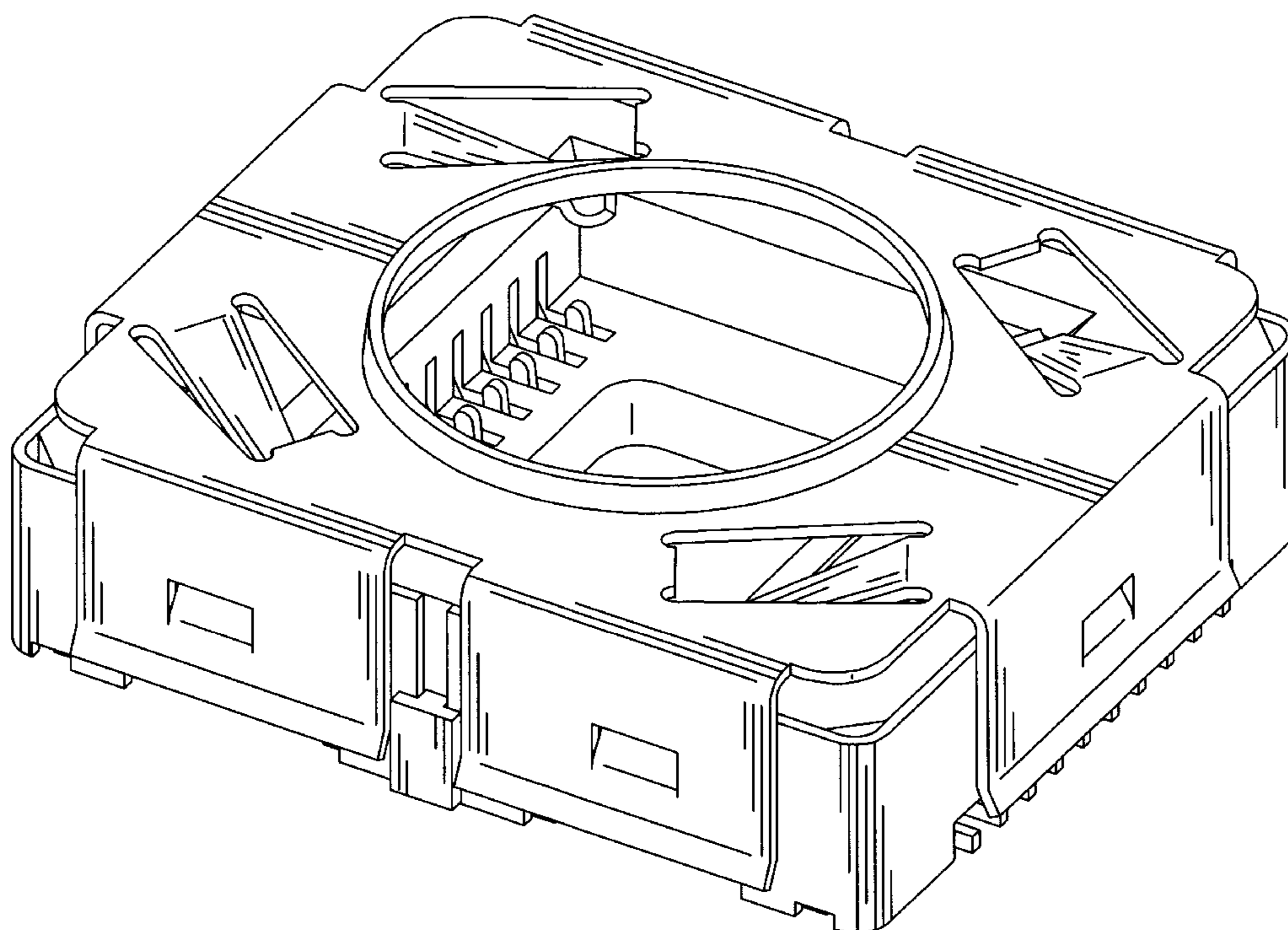
The ornamental design for an electrical connector, as shown and described.

DESCRIPTION

FIG. 1 is a front, top and right side perspective view of an electrical connector showing our new design;
 FIG. 2 is a front elevational view thereof;
 FIG. 3 is a rear elevational view thereof;
 FIG. 4 is a left side elevational view thereof;
 FIG. 5 is a right side elevational view thereof;
 FIG. 6 is a top plan view thereof;
 FIG. 7 is a bottom plan view thereof; and,
 FIG. 8 is a front, top and right side perspective view thereof, in use condition.

The broken line showing of the environment is for illustrative purposes only and forms no part of the claimed design.

1 Claim, 8 Drawing Sheets



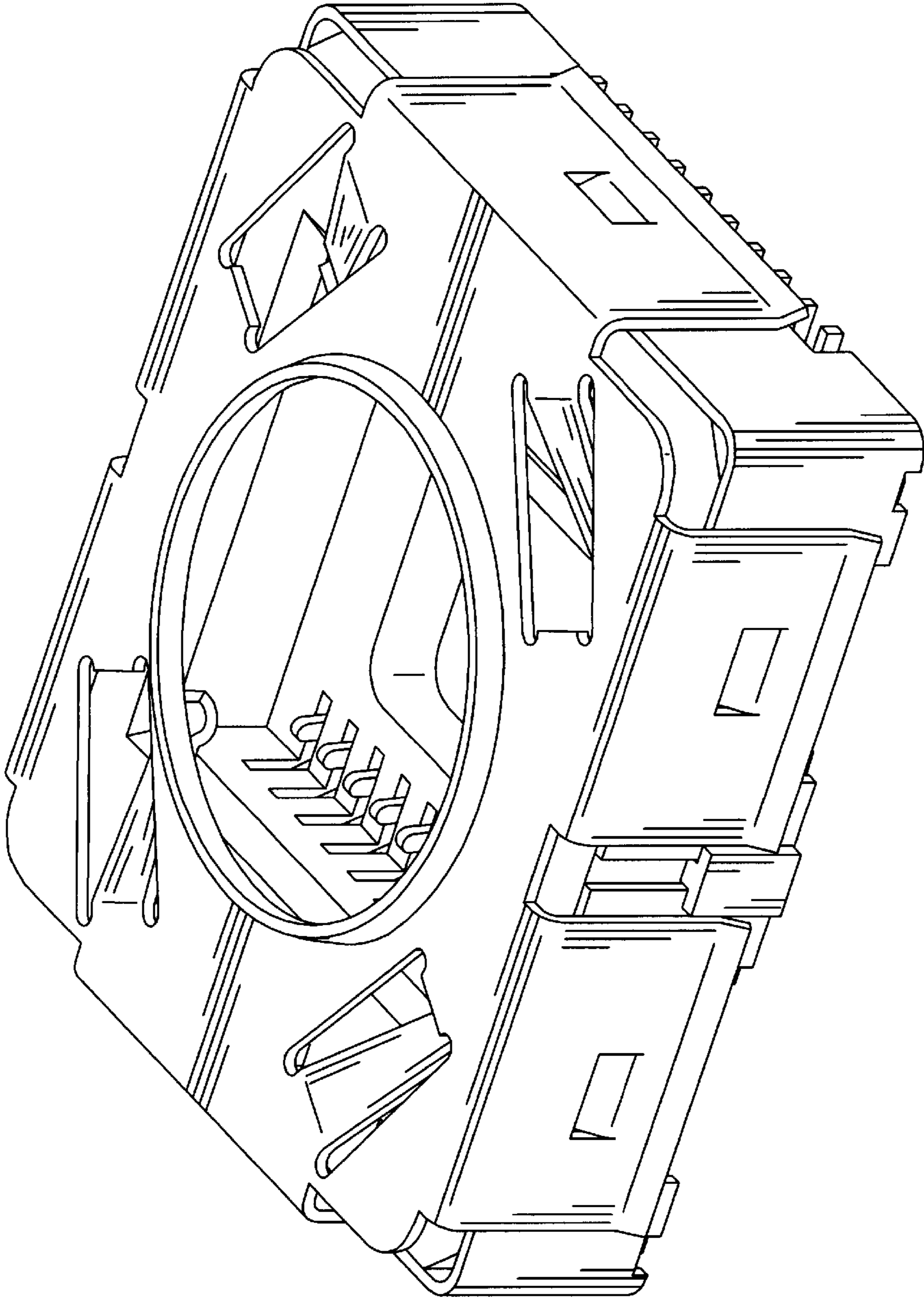


FIG. 1

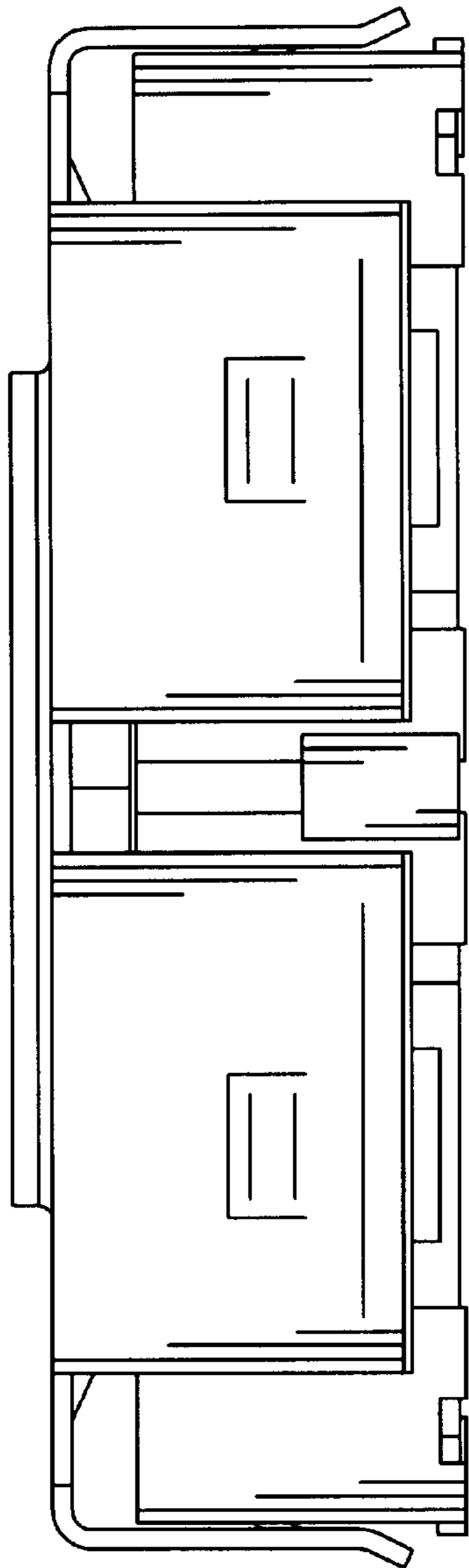


FIG. 2

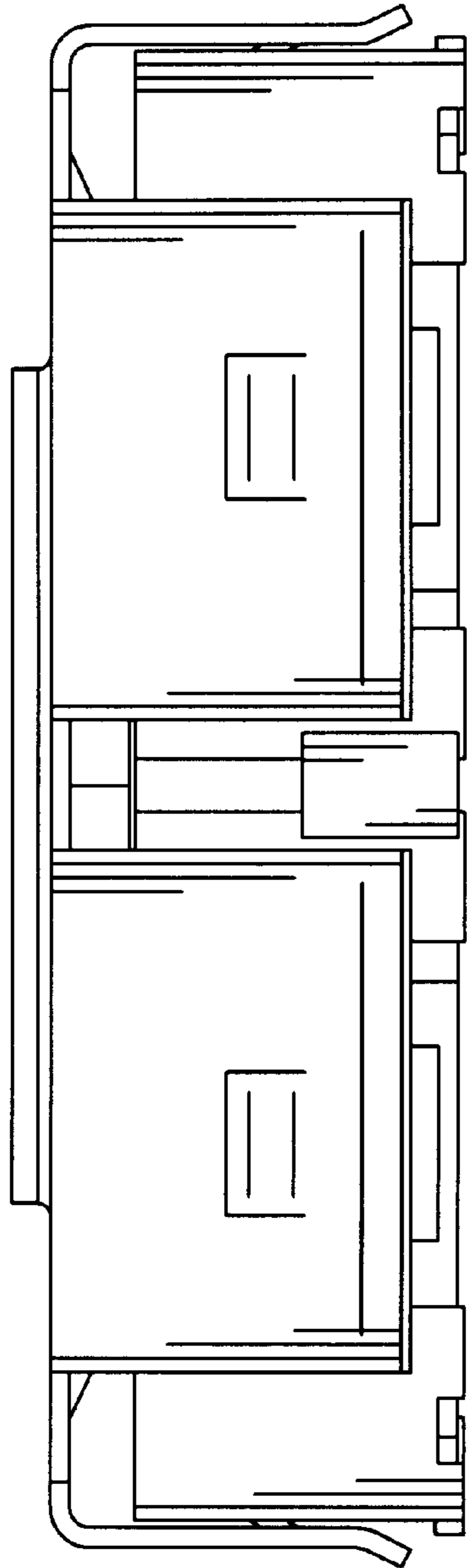


FIG. 3

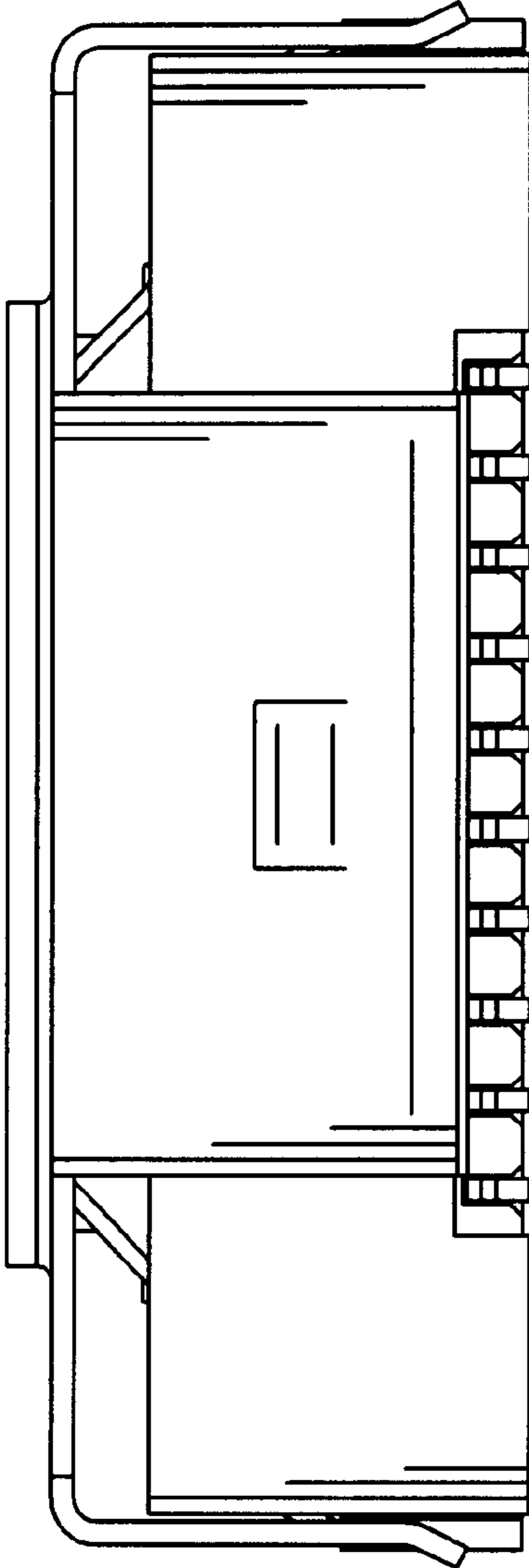


FIG. 4

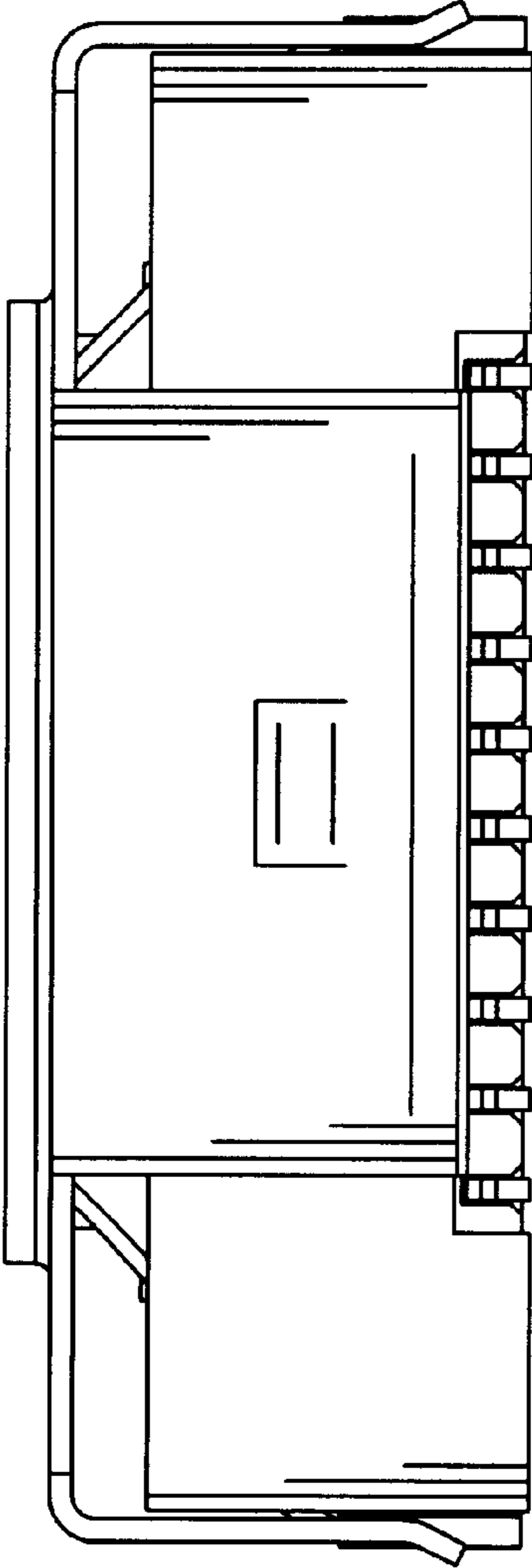


FIG. 5

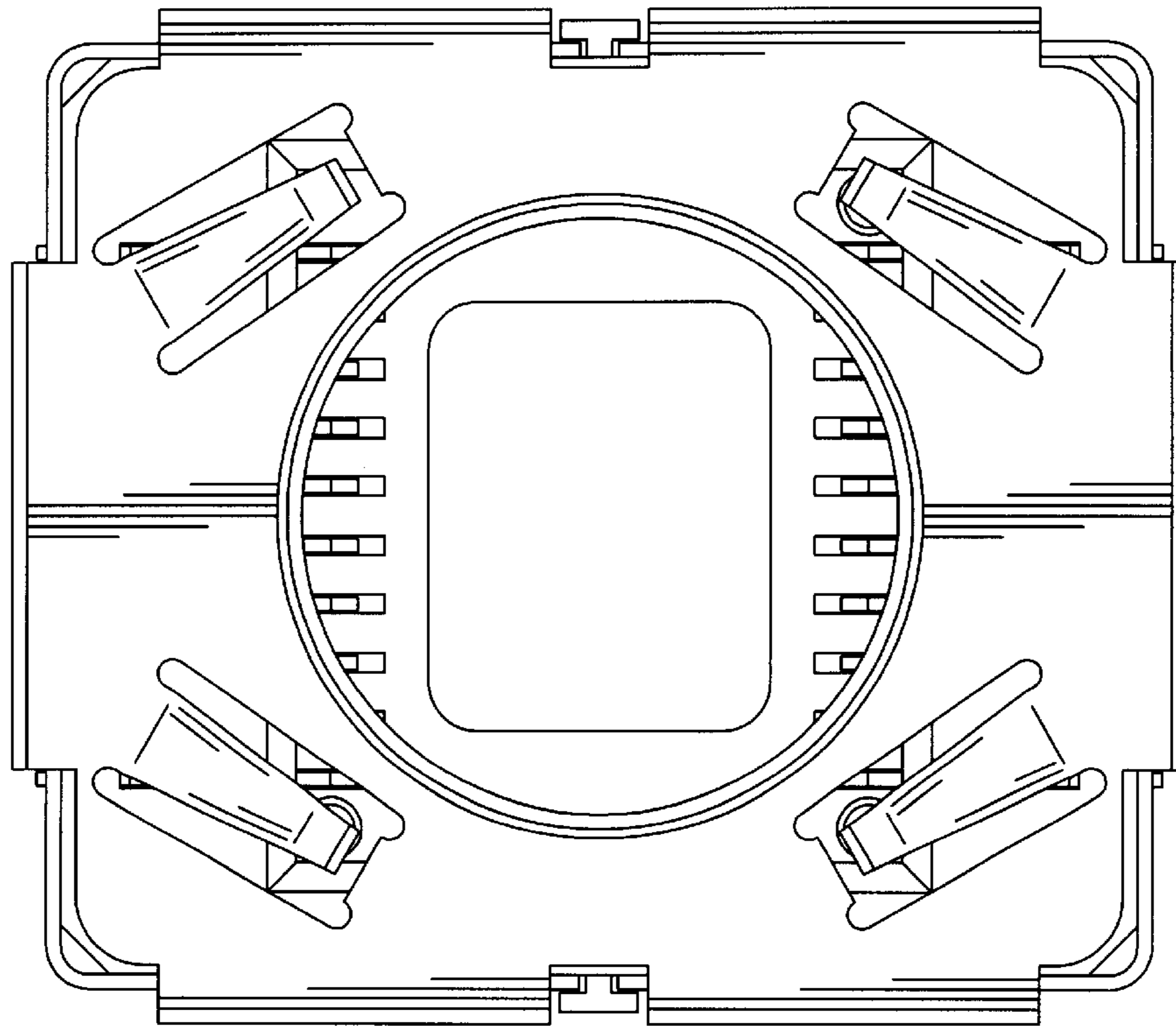


FIG. 6

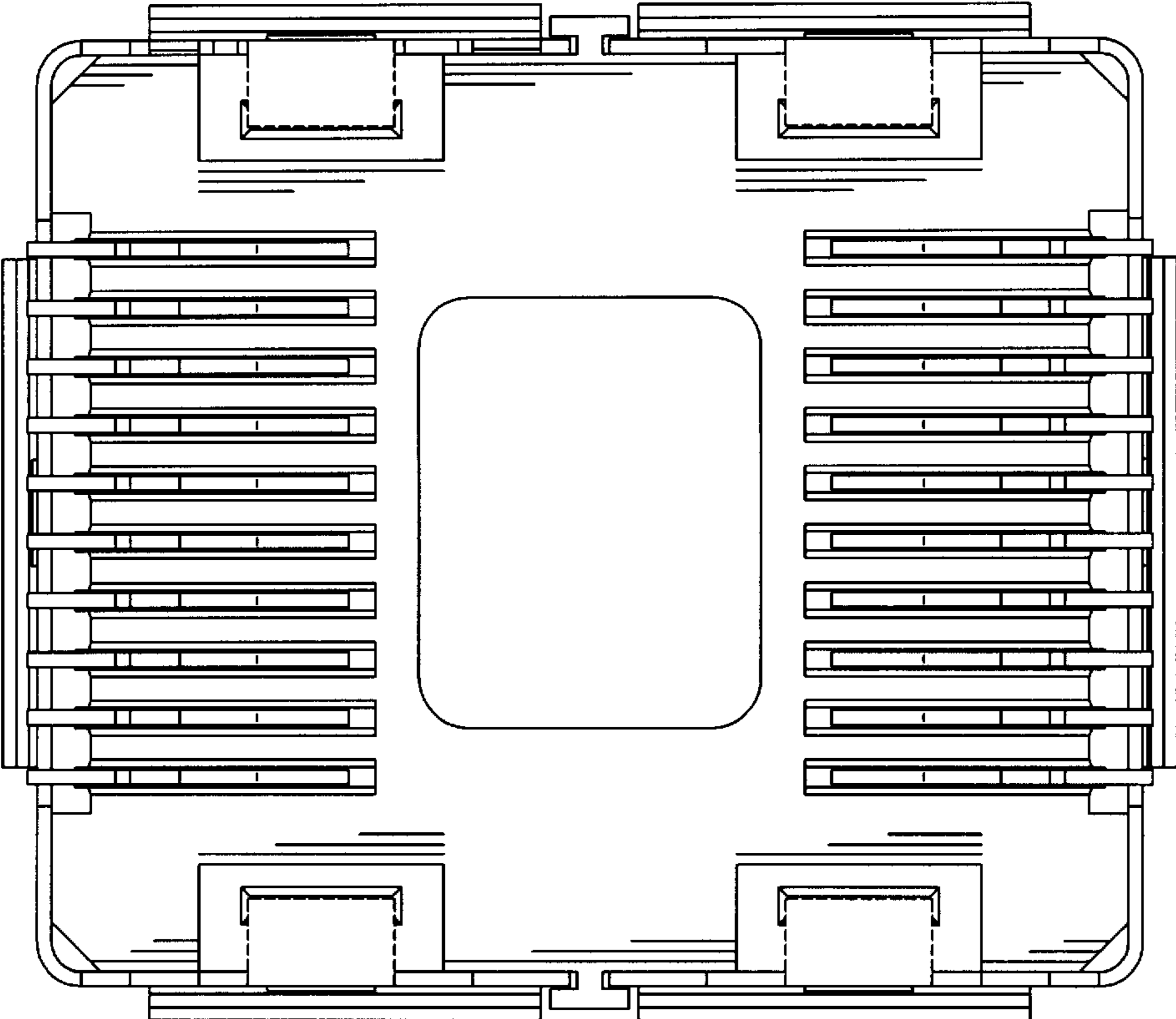


FIG. 7

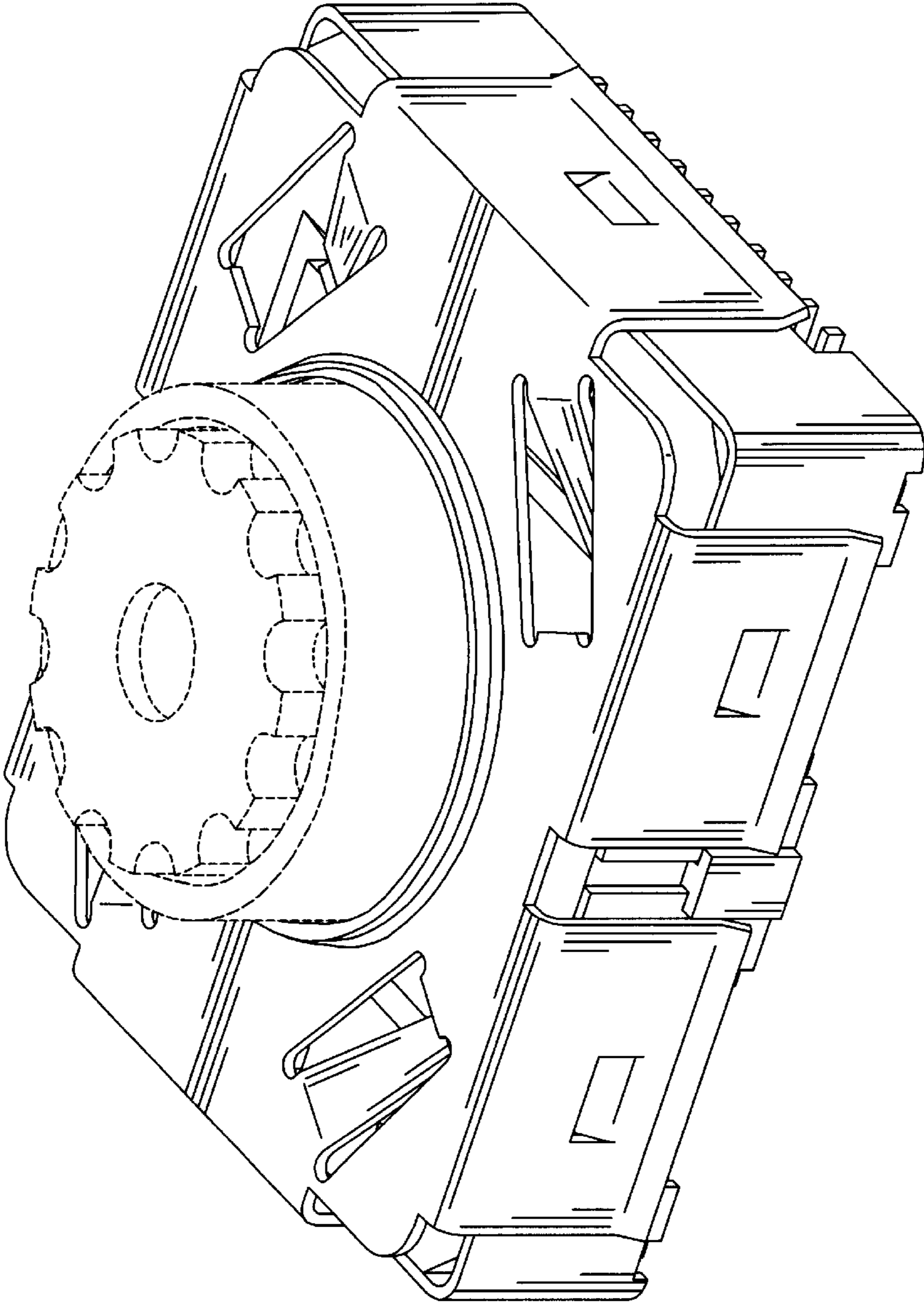


FIG. 8