



US00D541746S

(12) **United States Design Patent** (10) **Patent No.:** **US D541,746 S**
Colopy (45) **Date of Patent:** **** May 1, 2007**

(54) **THERMAL BODY**

(75) Inventor: **Curtis M. Colopy**, New Paltz, NY (US)

(73) Assignee: **Durable Systems, Inc.**, Gardiner, NY (US)

(**) Term: **14 Years**

(21) Appl. No.: **29/204,435**

(22) Filed: **Apr. 29, 2004**

(51) **LOC (8) Cl.** **13-03**

(52) **U.S. Cl.** **D13/129**

(58) **Field of Classification Search** D13/110,
D13/118, 123, 129, 131-132, 135, 145, 154,
D13/184; D8/349, 354, 364, 499; D23/314,
D23/386, 328-330; 174/5 SB; 219/72, 209,
219/260, 270, 385, 388, 391, 481
See application file for complete search history.

(56) **References Cited**

U.S. PATENT DOCUMENTS

D285,334 S	*	8/1986	Johnson	D7/416
D293,313 S	*	12/1987	Justiano et al.	D13/133
D343,337 S	*	1/1994	Johnston	D7/417
D413,101 S	*	8/1999	Avery et al.	D13/147
D442,469 S	*	5/2001	Roozen et al.	D8/354
7,005,612 B2	*	2/2006	Han	219/270
2004/0191715 A1	*	9/2004	Nakamura et al.	431/255

OTHER PUBLICATIONS

Web page from Saint-Gobain Ceramics, Crystal Igniters, www.nortonigniters.com/data/element/note/category, dated Jan. 4, 2004.

Specification Sheet from Starlite describing Dryer Igniter Kit No. 1026, P/N 11120-400-1026.

* cited by examiner

Primary Examiner—Daniel Bui

(74) *Attorney, Agent, or Firm*—Lackebach Siegel, LLP; Andrew F. Young

(57) **CLAIM**

The ornamental design for a thermal body, as shown and described.

DESCRIPTION

FIG. 1 is a top, rear and left side perspective view of a thermal body, showing my new design;

FIG. 2 is a top plan view thereof;

FIG. 3 is a bottom plan view thereof;

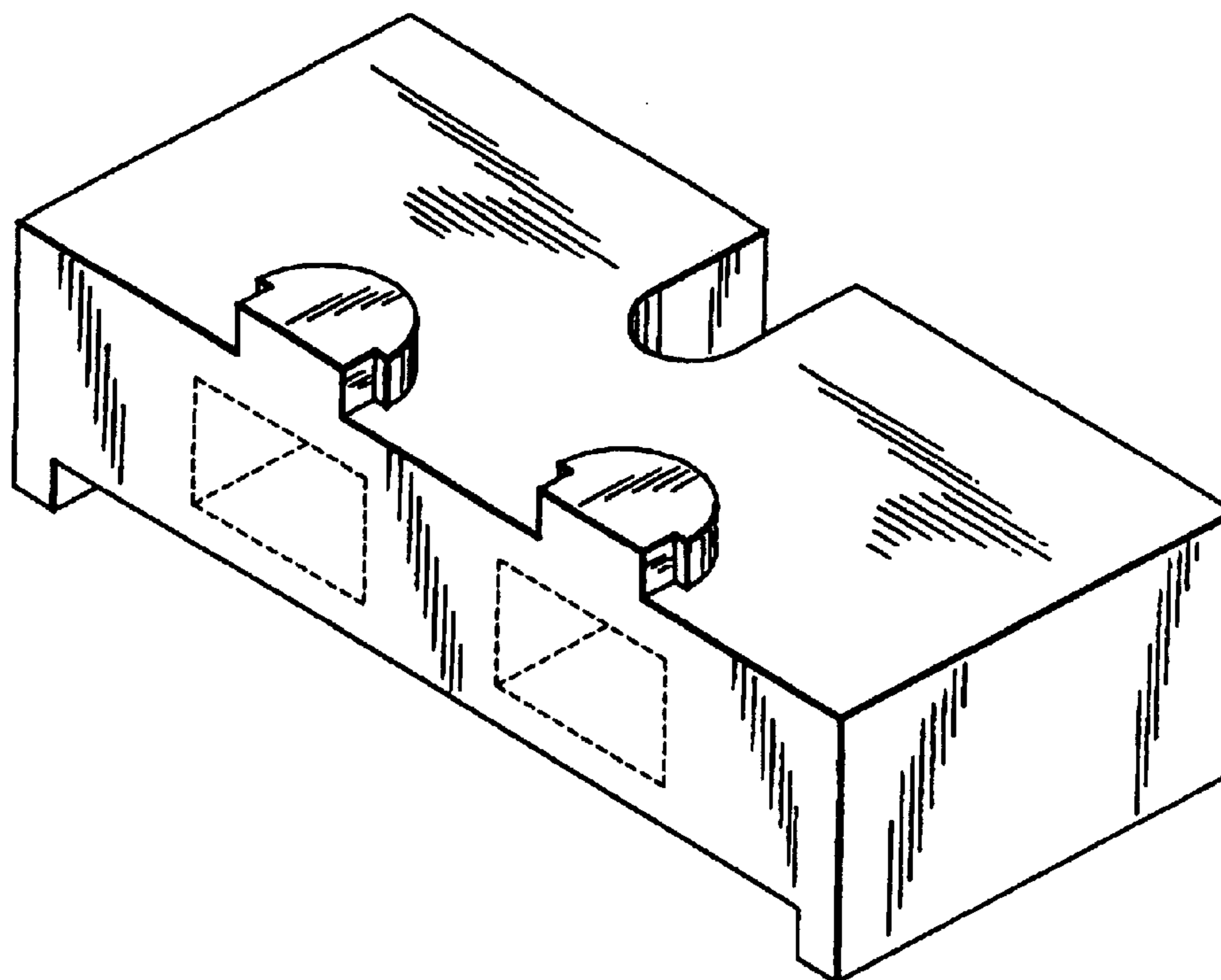
FIG. 4 is a rear elevation view thereof;

FIG. 5 is a right side elevation view thereof, the left side elevation view is a mirror image thereto; and,

FIG. 6 is a front elevation view thereof.

The broken line showing of the environment is for illustrative purposes only and forms no part of the claimed design.

1 Claim, 2 Drawing Sheets



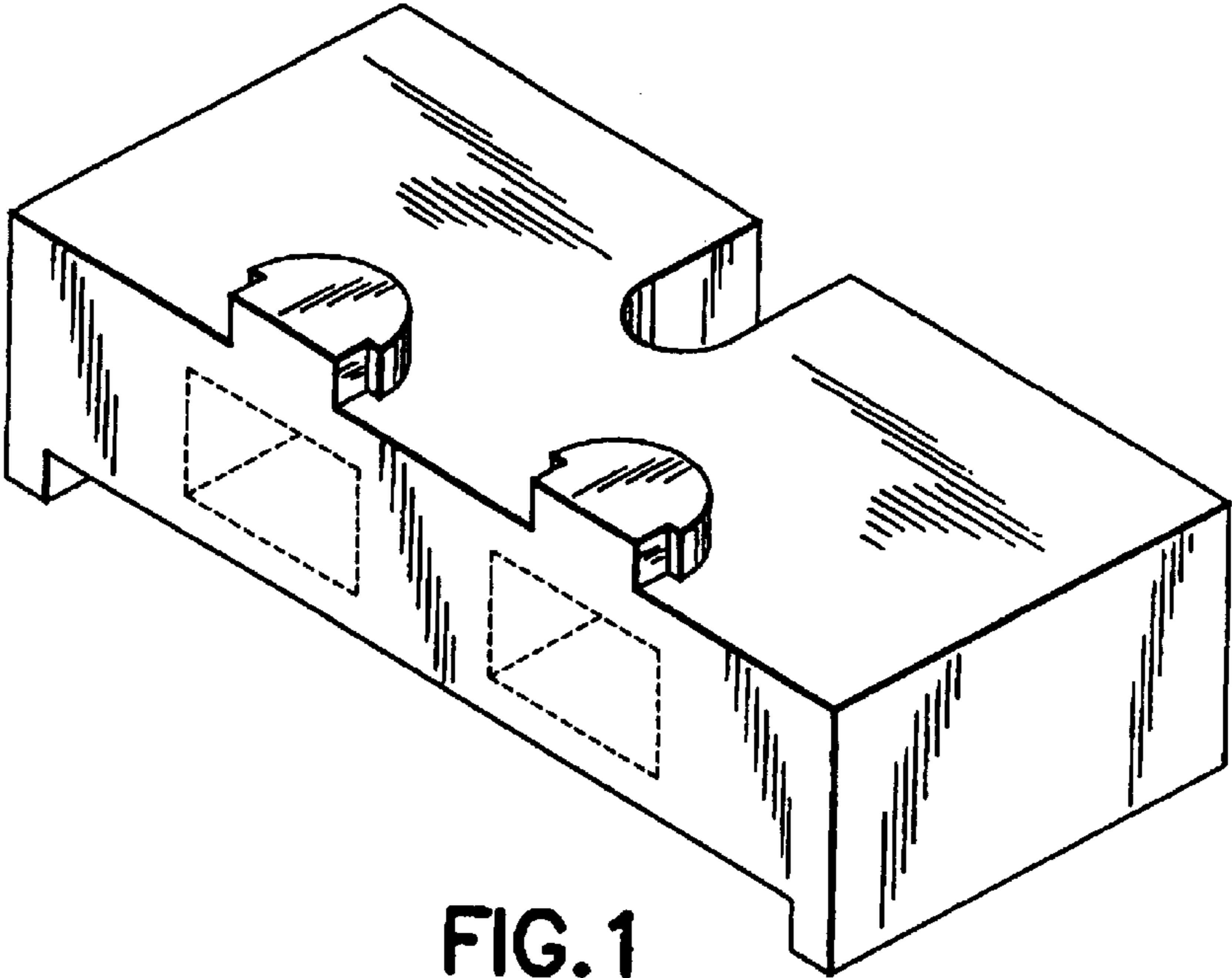


FIG. 1

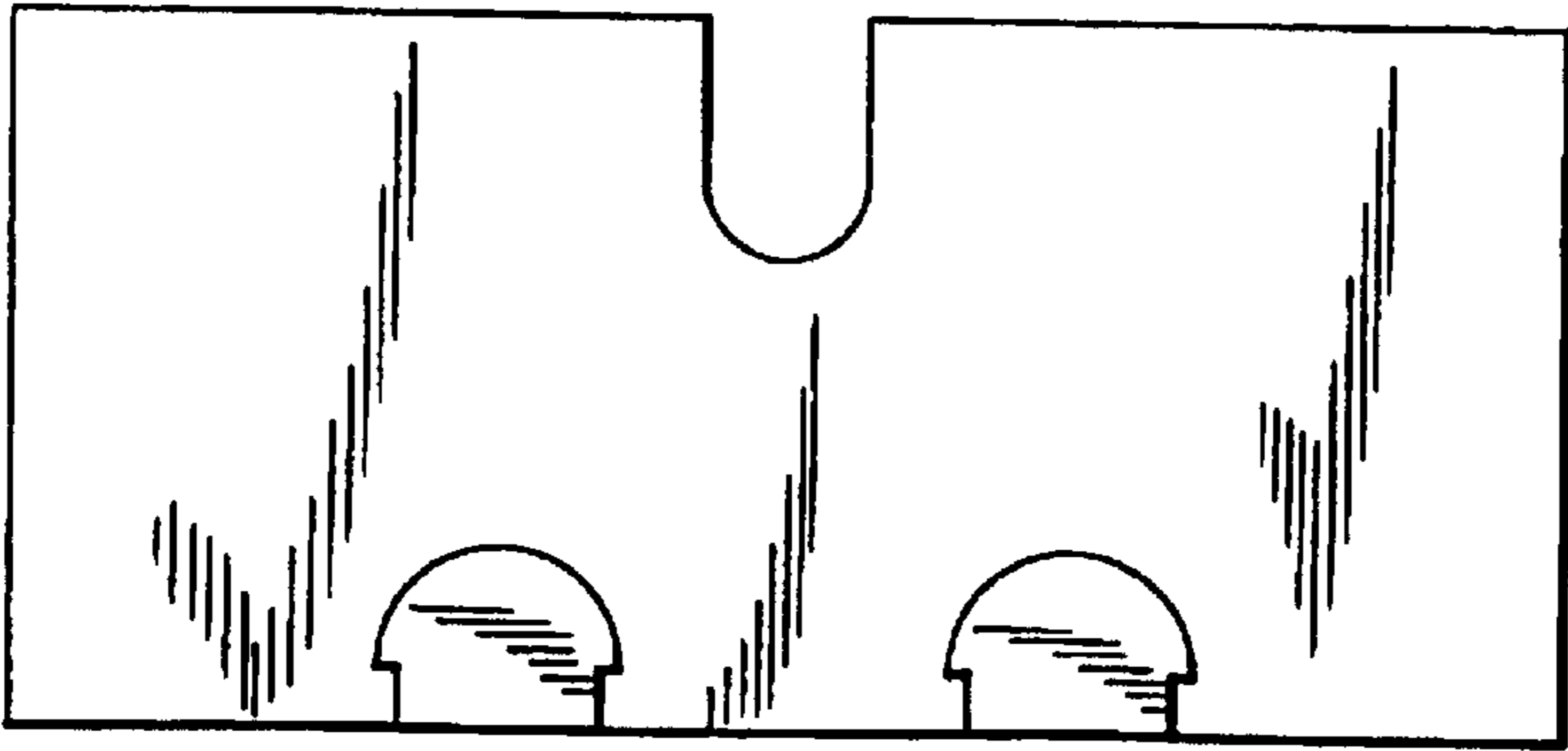


FIG. 2

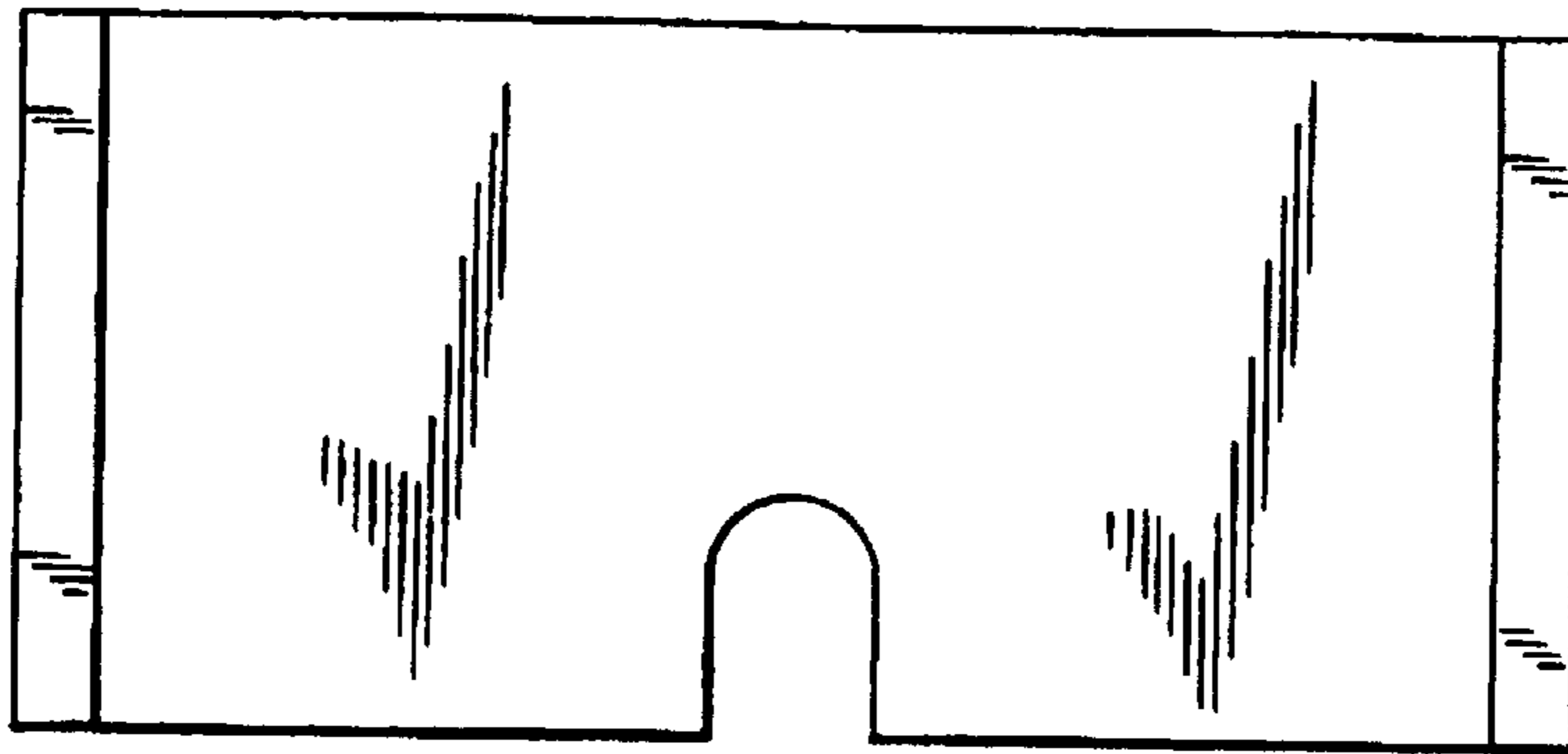


FIG. 3

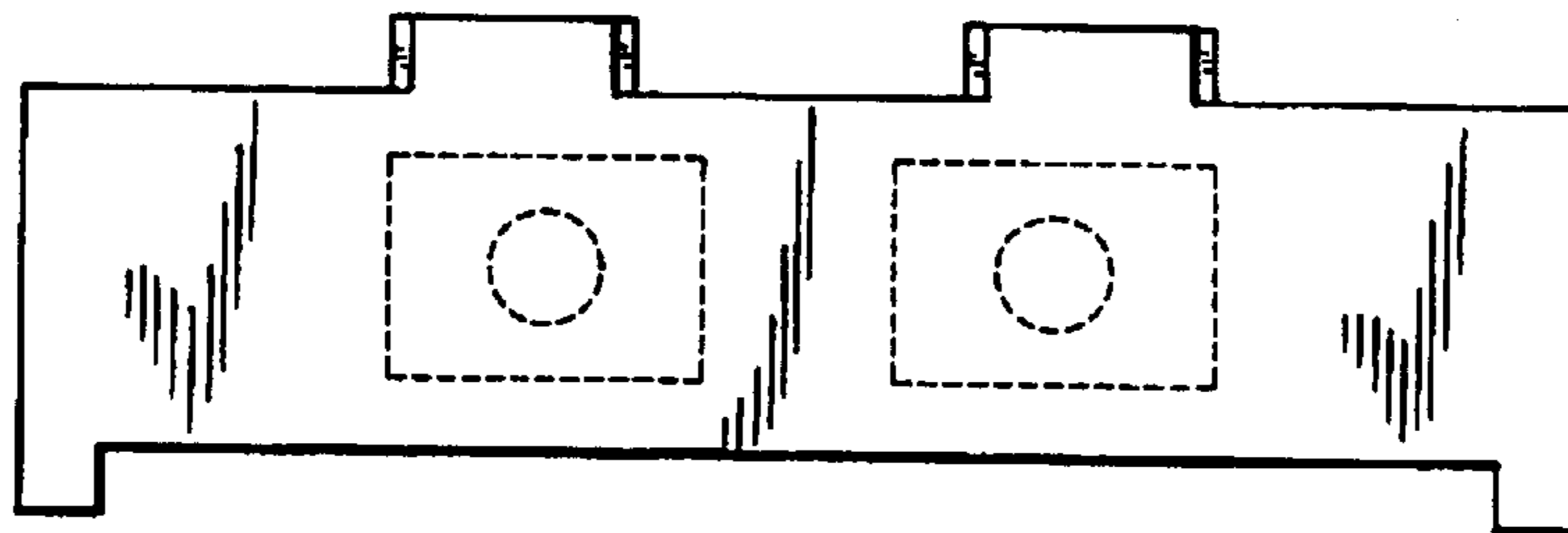


FIG. 4

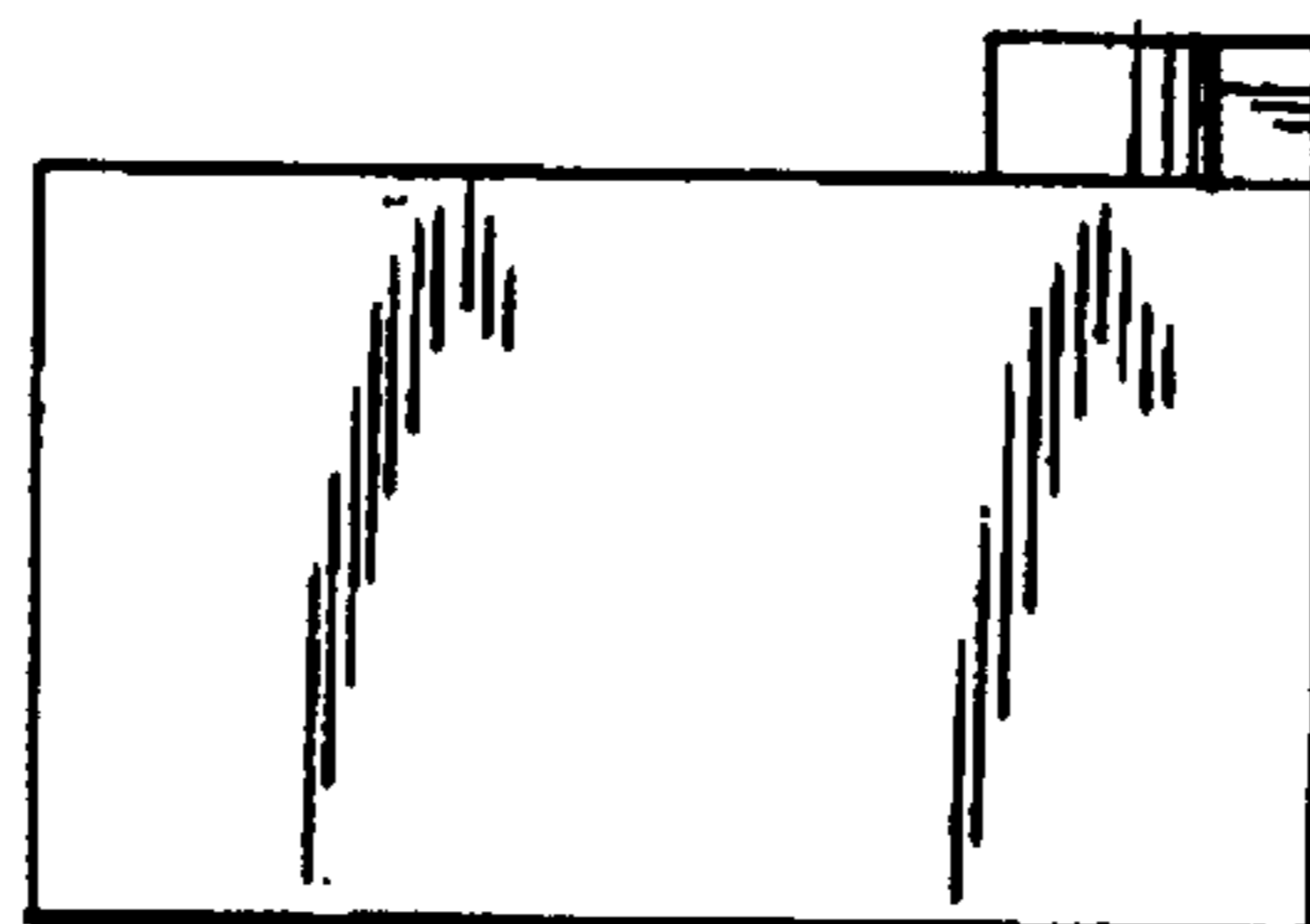


FIG. 5

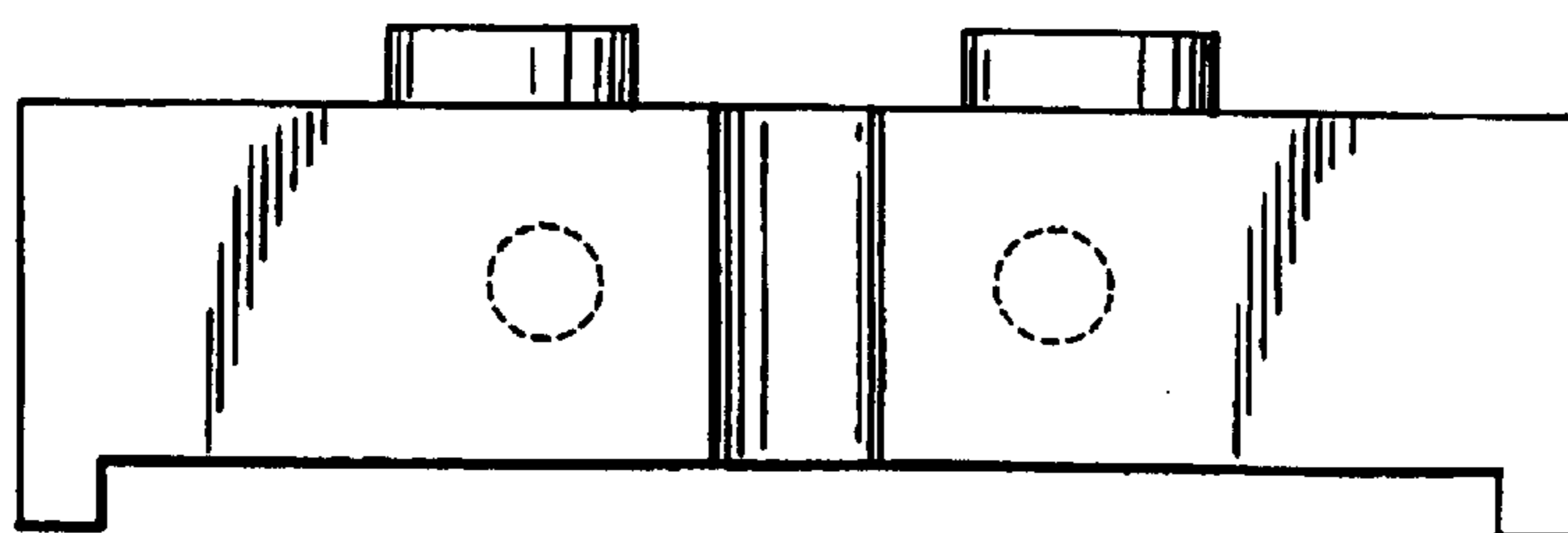


FIG. 6