

US00D541744S

(12) **United States Design Patent**
Violainen et al.

(10) **Patent No.:** **US D541,744 S**

(45) **Date of Patent:** **** May 1, 2007**

(54) **CABINET FOR A FREQUENCY CONVERTER**

(75) Inventors: **Panu Violainen**, Espoo (FI); **Mika Asikainen**, Helsinki (FI); **Mikko Nupponen**, Espoo (FI)

(73) Assignee: **ABB Oy**, Helsinki (FI)

(**) Term: **14 Years**

(21) Appl. No.: **29/237,834**

(22) Filed: **Sep. 8, 2005**

(30) **Foreign Application Priority Data**

Mar. 29, 2005 (EM) 000320866-0001

(51) **LOC (8) Cl.** **13-02**

(52) **U.S. Cl.** **D13/110**

(58) **Field of Classification Search** D13/110,
D13/101, 123, 162, 184, 199; D14/348, 349,
D14/353, 357, 358; 361/600, 601, 707, 715,
361/730; 363/15, 35

See application file for complete search history.

(56) **References Cited**

U.S. PATENT DOCUMENTS

D358,753 S * 5/1995 Yoshida et al. D13/123

D365,082 S * 12/1995 Cook et al. D13/110
D403,301 S * 12/1998 Lehmann et al. D13/110
D409,139 S * 5/1999 Cornell et al. D13/110
D410,624 S * 6/1999 Loh D13/110
D449,817 S * 10/2001 Takeuchi et al. D13/110
6,407,931 B1 * 6/2002 Yonce et al. 361/816
6,650,559 B1 * 11/2003 Okamoto et al. 363/141

* cited by examiner

Primary Examiner—Prabhakar Deshmukh

Assistant Examiner—Derrick Holland

(74) *Attorney, Agent, or Firm*—Dykema Gossett PLLC

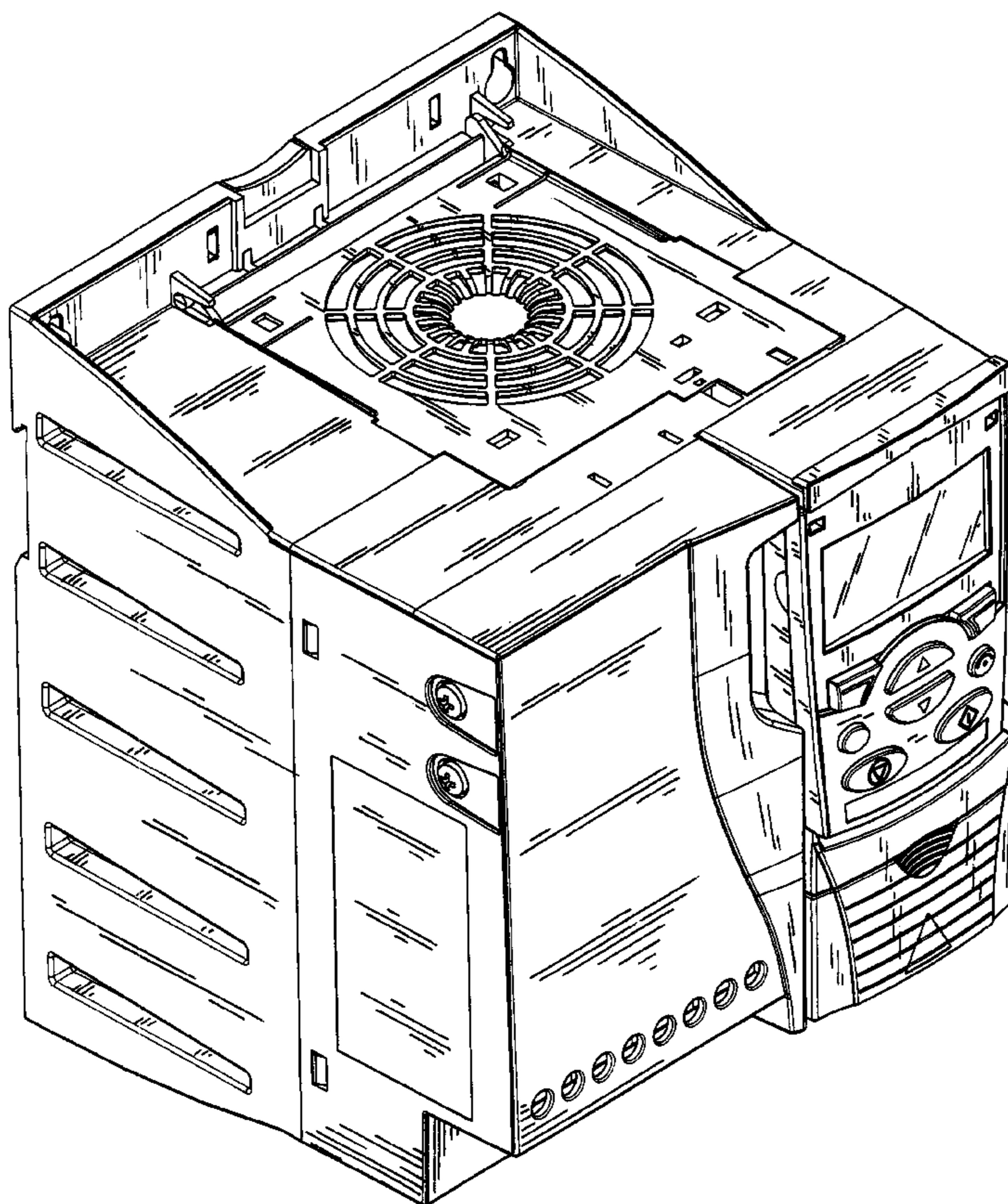
(57) **CLAIM**

The ornamental design for a cabinet for frequency converter, as shown and described.

DESCRIPTION

FIG. 1 is a perspective top, front and left side view of a cabinet for frequency converter showing our new design; FIG. 2 is a front view thereof; FIG. 3 is a left side view thereof; FIG. 4 is a right side view thereof; FIG. 5 is a top view thereof; FIG. 6 is a bottom view thereof; and, FIG. 7 is a rear view thereof.

1 Claim, 7 Drawing Sheets



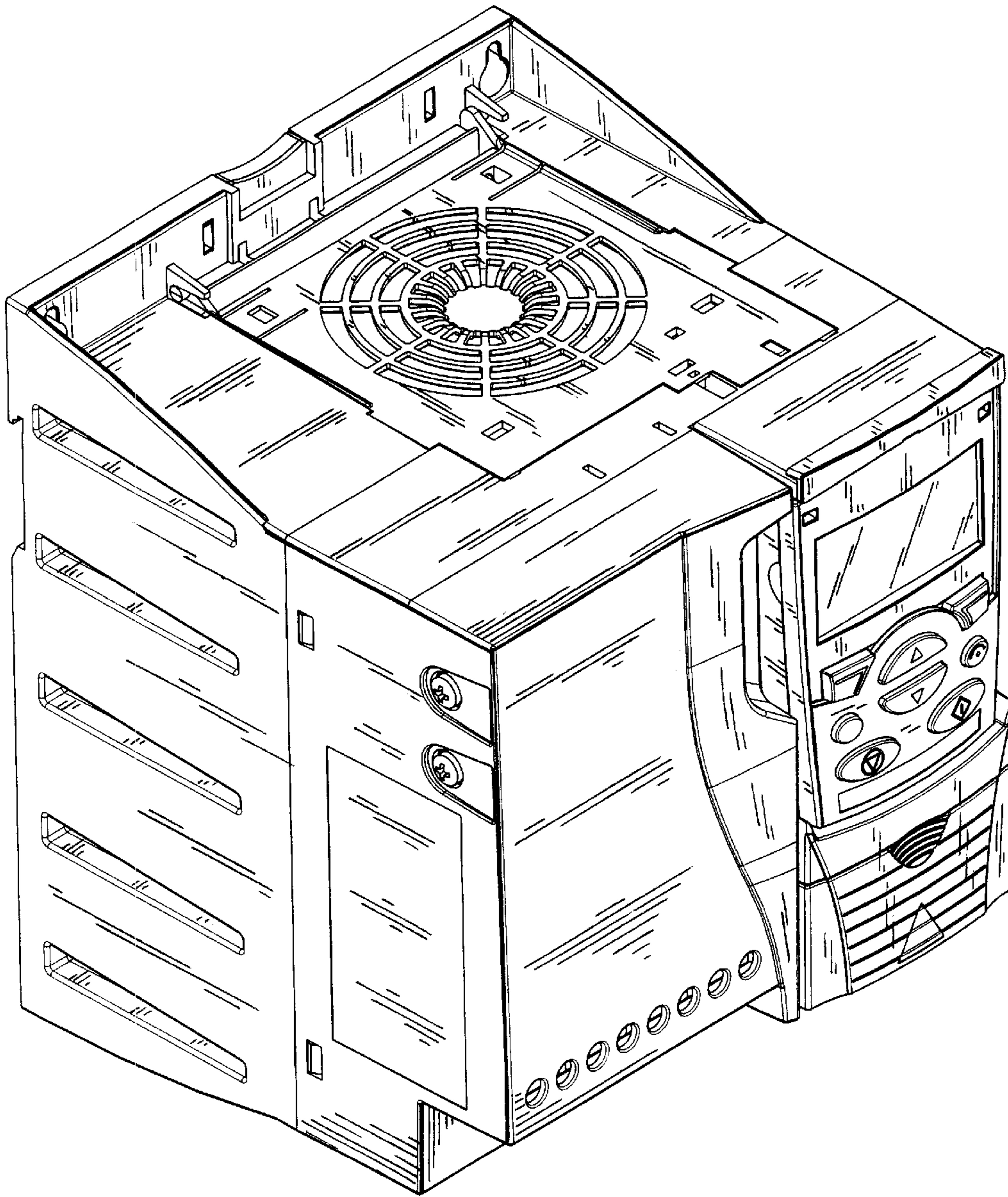


Fig. 1

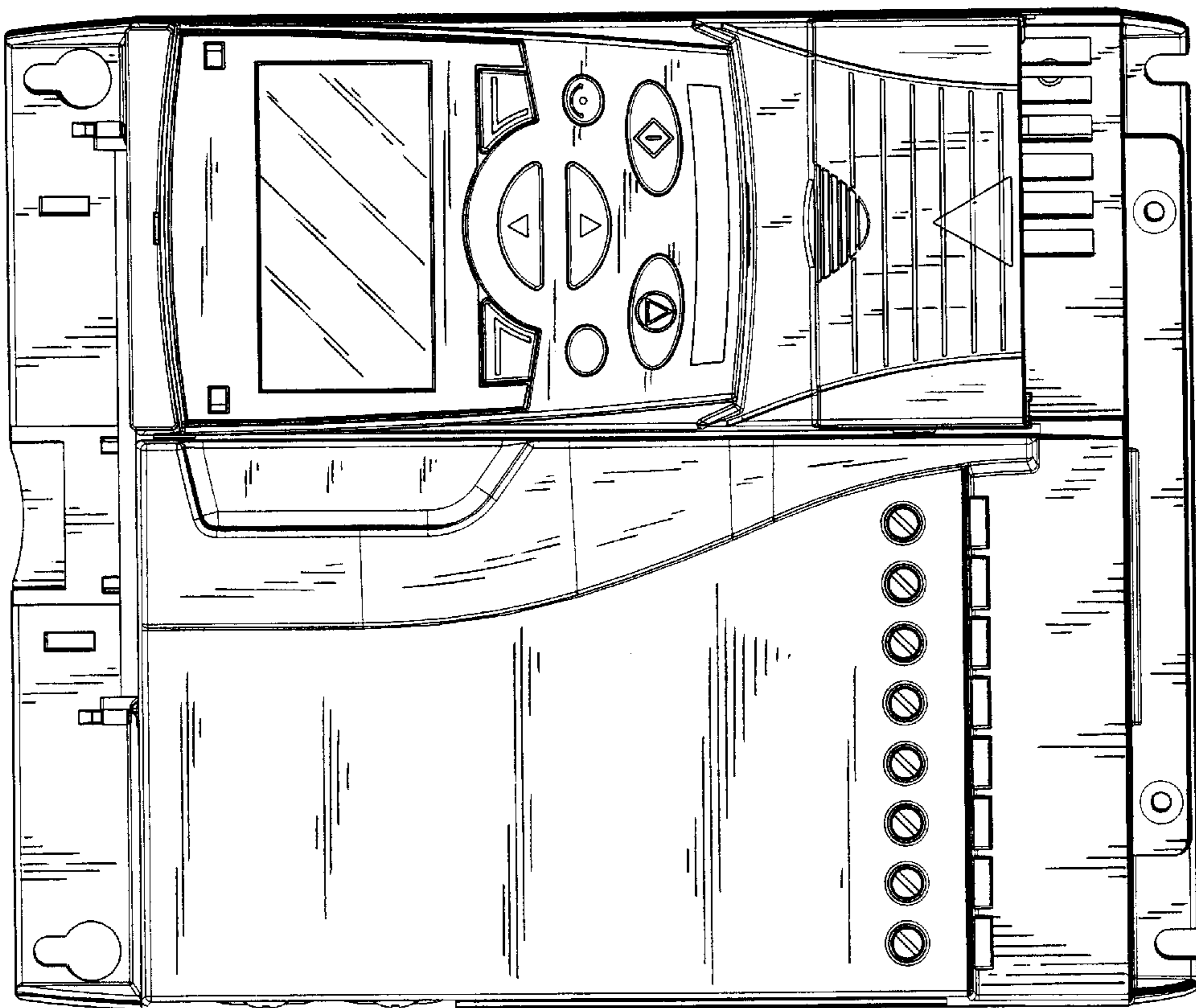


Fig. 2

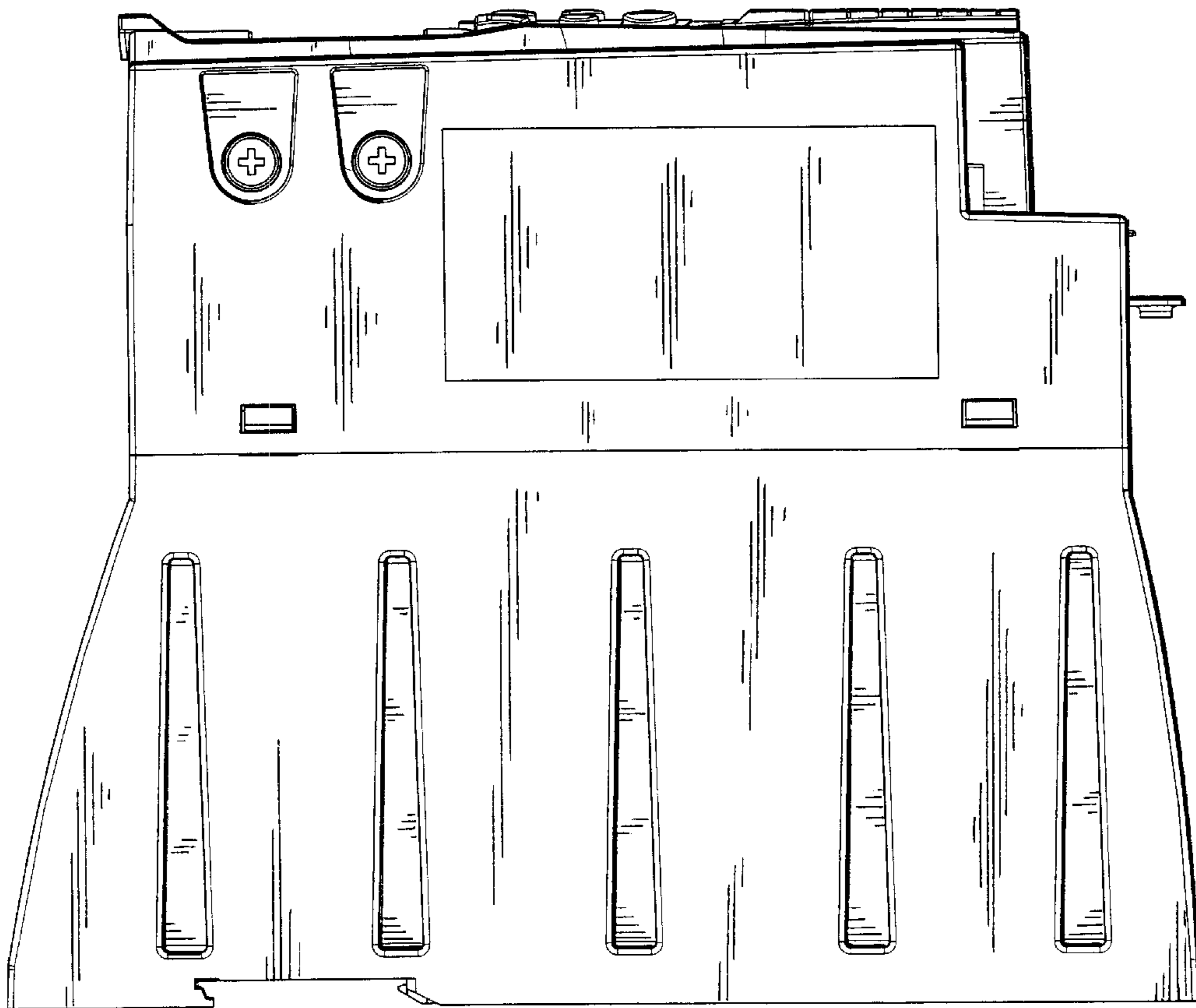


Fig. 3

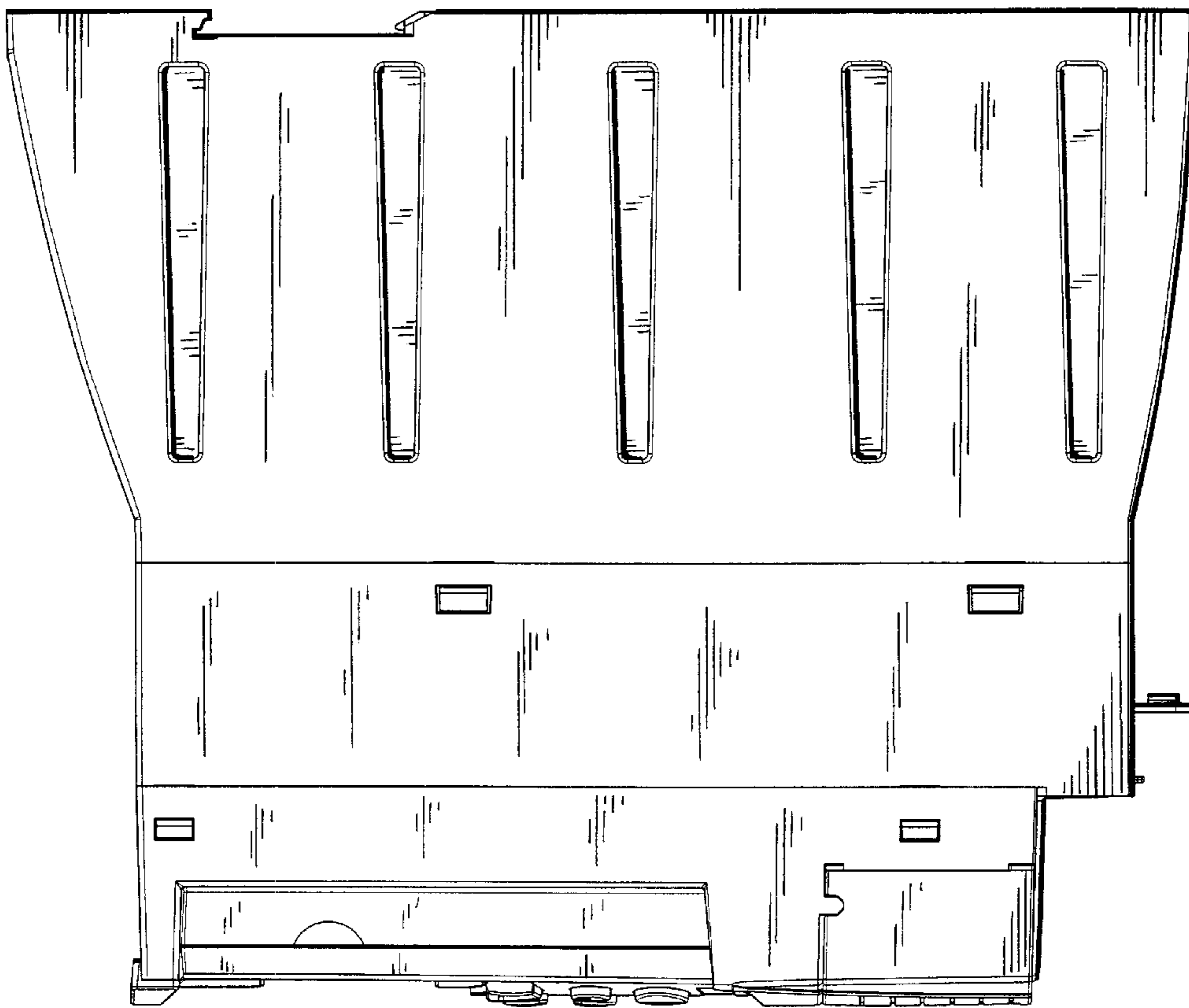


Fig. 4

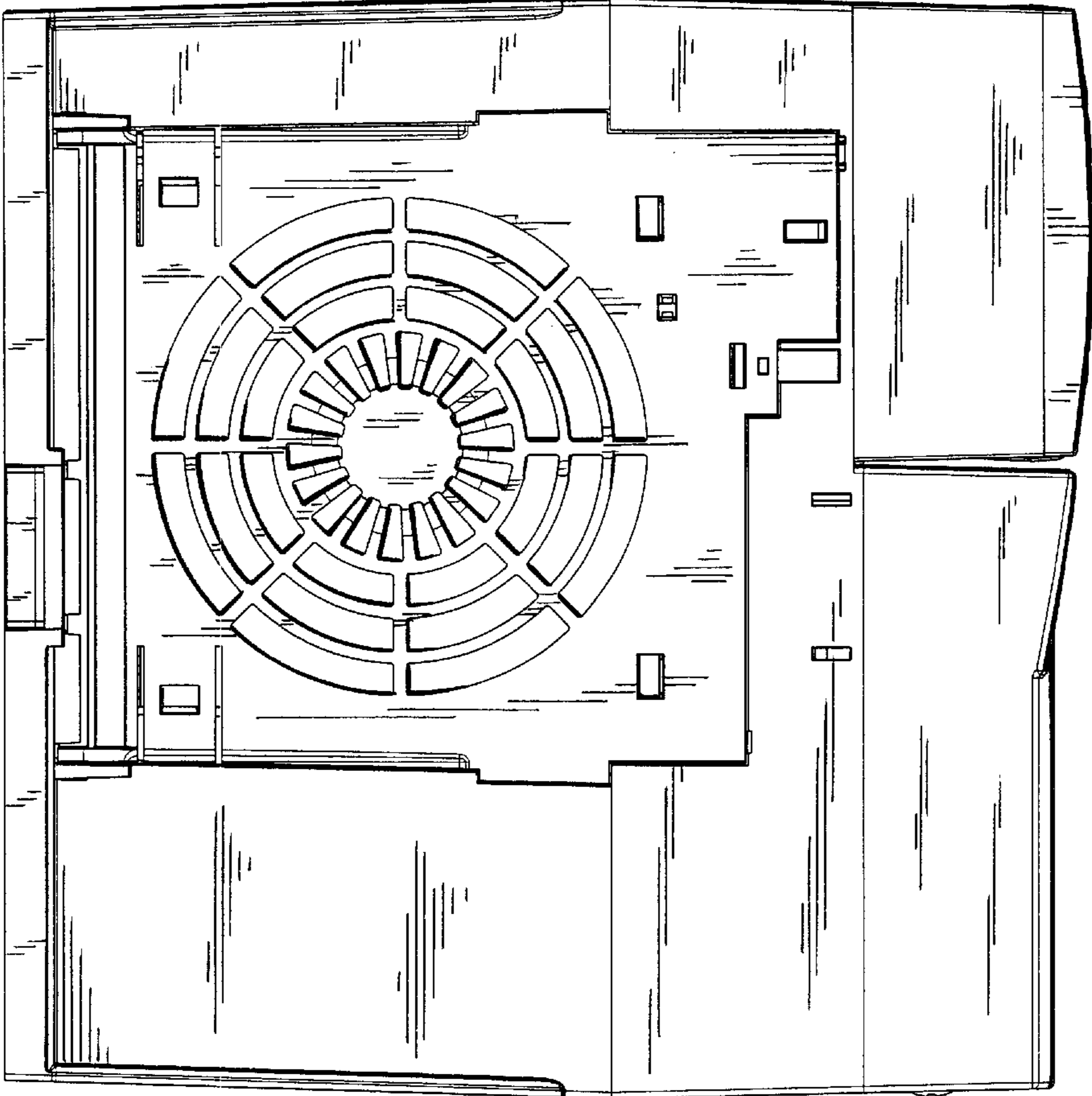


Fig. 5

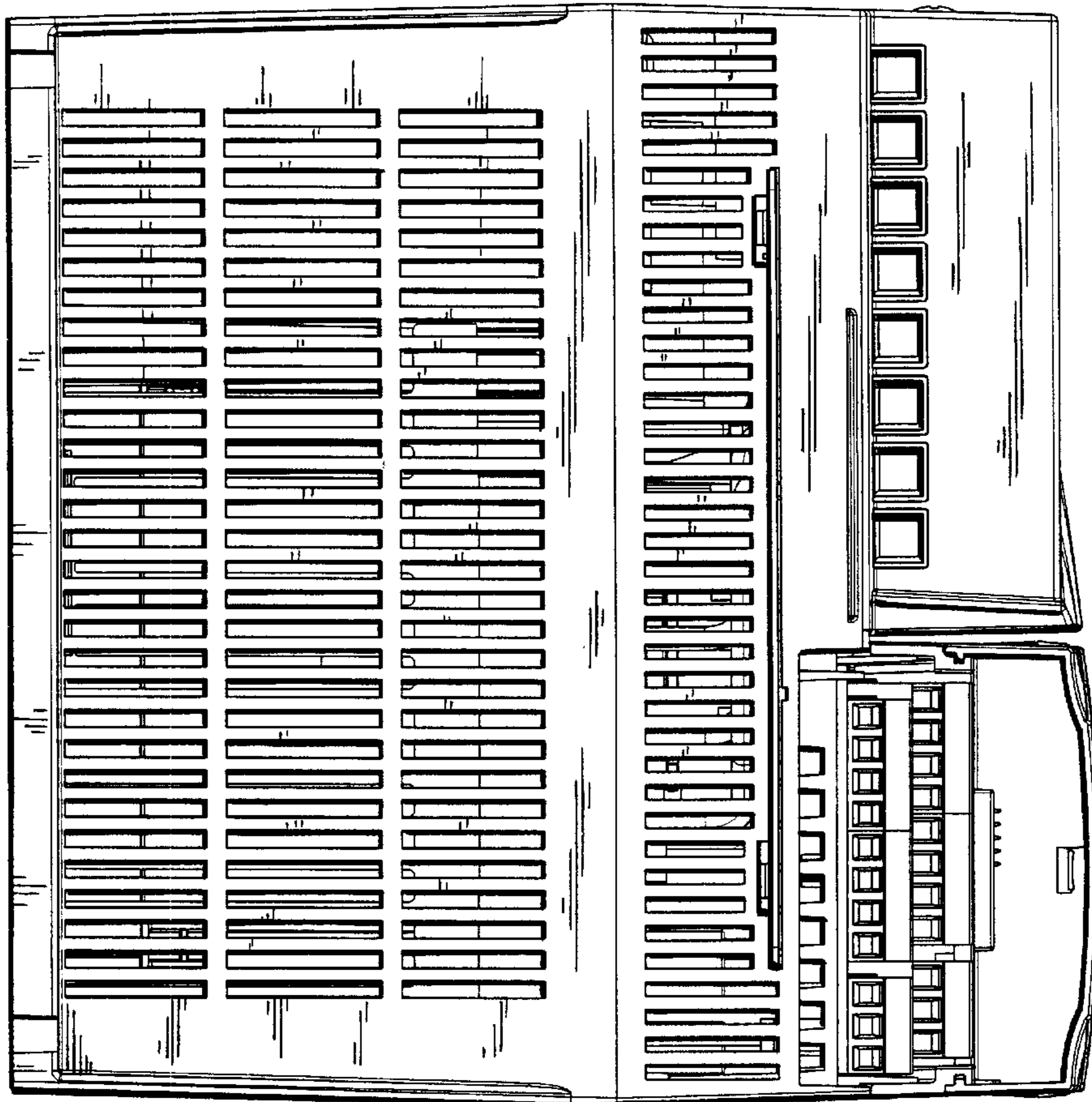


Fig. 6

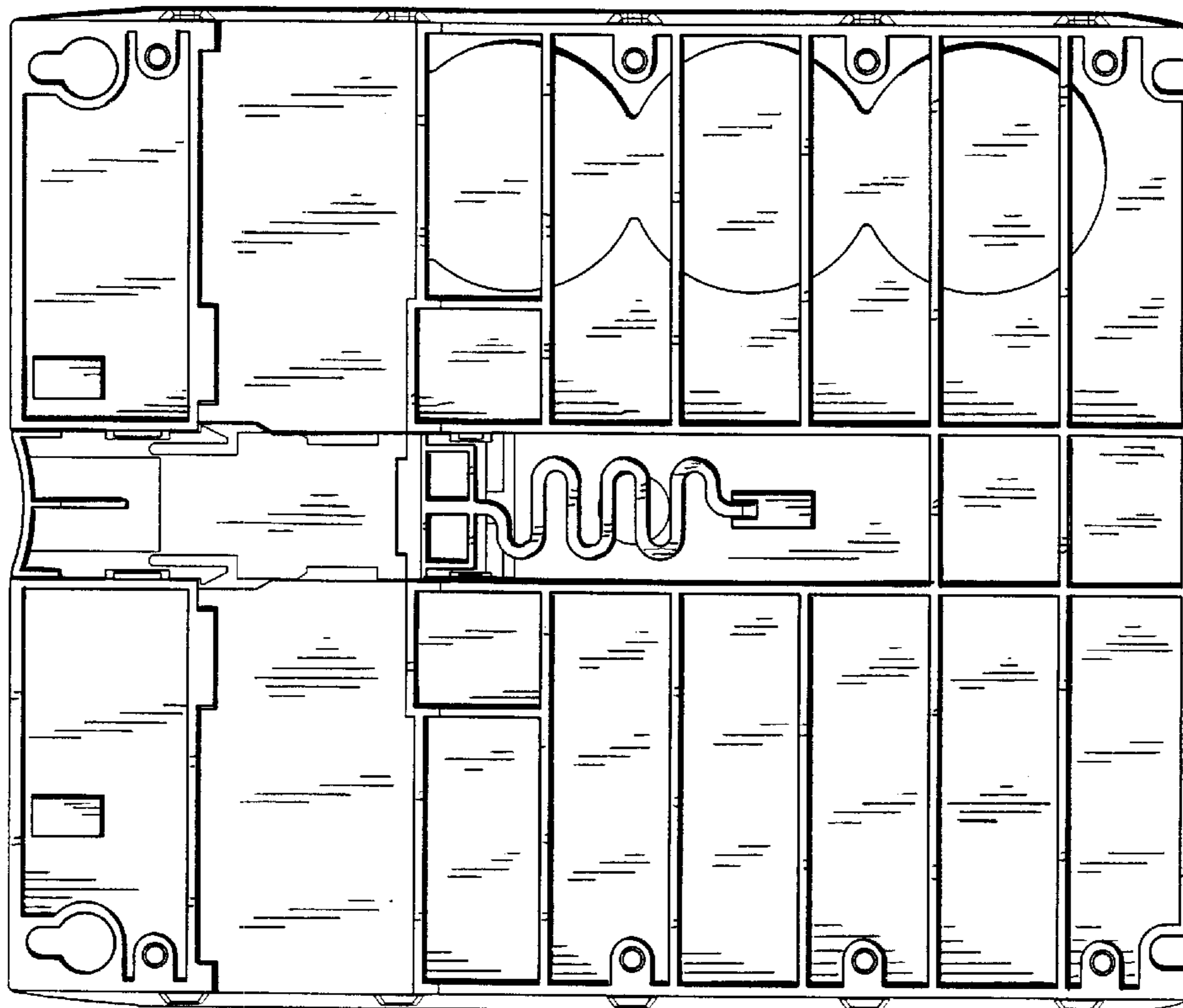


Fig. 7