

US00D541741S

(12) **United States Design Patent**
Yosef et al.

(10) **Patent No.:** **US D541,741 S**

(45) **Date of Patent:** **** May 1, 2007**

(54) **ADAPTOR DEVICE**

(75) Inventors: **Yosef Ben Yosef**, Givat Ada (IL);
Bruce A. Claxton, Coral Springs, FL
(US); **Eli Margalit**, Ra'Anana (IL);
Scott H. Richards, Plantation, FL (US);
Timothy J. Sweeney, Austin, TX (US);
Avi Zelig, Rosh-Ha' Ayin (IL)

(73) Assignee: **Motorola, Inc.**, Schaumburg, IL (US)

(**) Term: **14 Years**

(21) Appl. No.: **29/220,517**

(22) Filed: **Dec. 30, 2004**

(51) **LOC (8) Cl.** **13-02**

(52) **U.S. Cl.** **D13/110; D14/253**

(58) **Field of Classification Search** D13/110,
D13/101, 107, 108, 184, 199; D3/218; D14/251,
D14/253; 320/113-115; 379/440

See application file for complete search history.

(56) **References Cited**

U.S. PATENT DOCUMENTS

D320,991 S * 10/1991 Nagai et al. D14/251

D361,335 S * 8/1995 Rudkiewicz et al. D14/253
D361,763 S * 8/1995 Nagele et al. D14/144
6,041,243 A * 3/2000 Davidson et al. 455/575.1
D441,713 S * 5/2001 Gartrell D13/108

* cited by examiner

Primary Examiner—Prabhakar Deshmukh

Assistant Examiner—Derrick Holland

(57) **CLAIM**

The ornamental design for an adaptor device, as shown and described.

DESCRIPTION

FIG. 1 is a front, top, right perspective view of the adaptor device showing our new design;

FIG. 2 is a front view thereof;

FIG. 3 is a back view thereof;

FIG. 4 is a left view thereof;

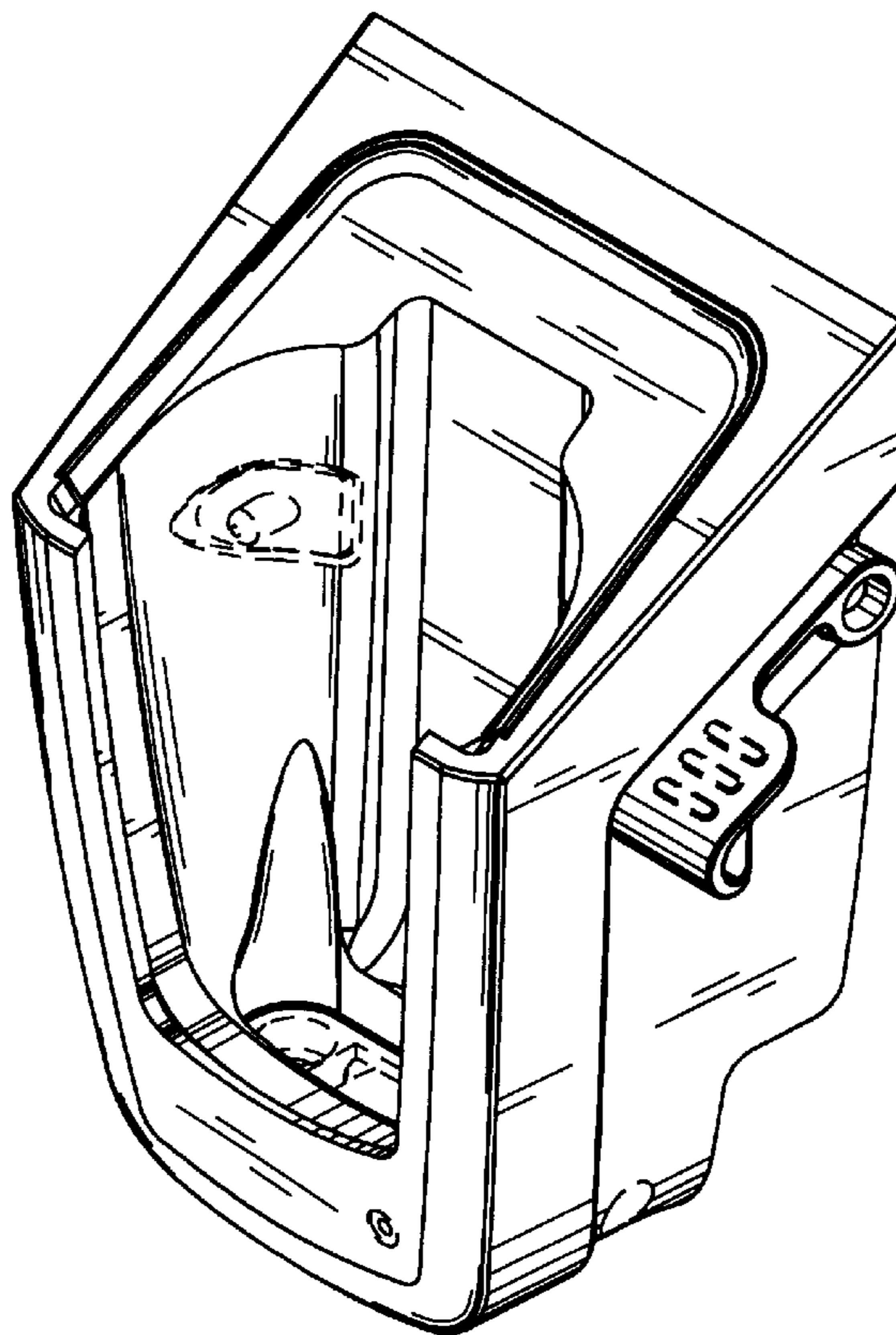
FIG. 5 is a right view thereof;

FIG. 6 is a top thereof; and,

FIG. 7 is a bottom thereof.

The broken lines shown in FIGS. 1-7 are included for the purpose of illustrating environmental elements only and form no part of the claimed design.

1 Claim, 4 Drawing Sheets



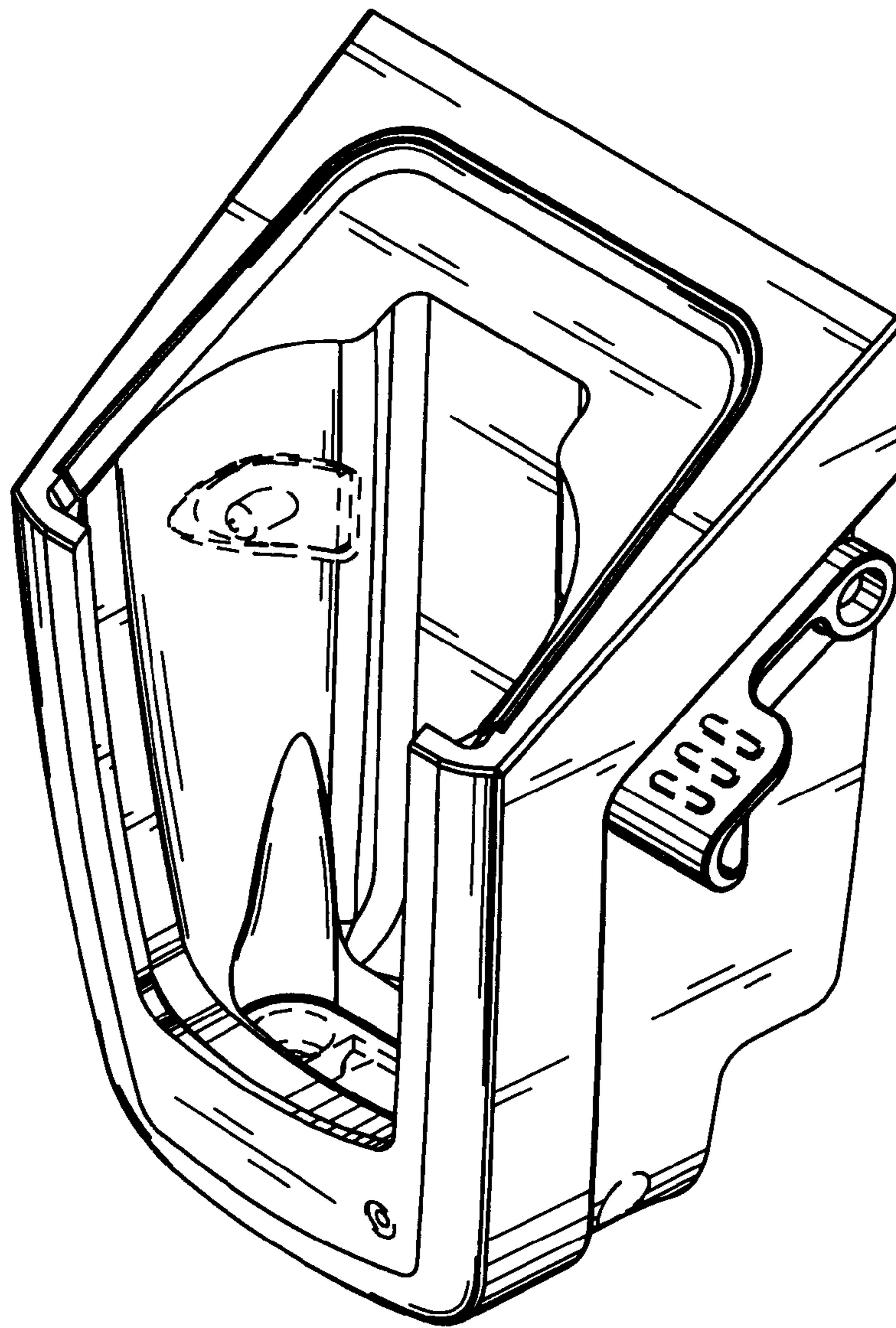


FIG. 1

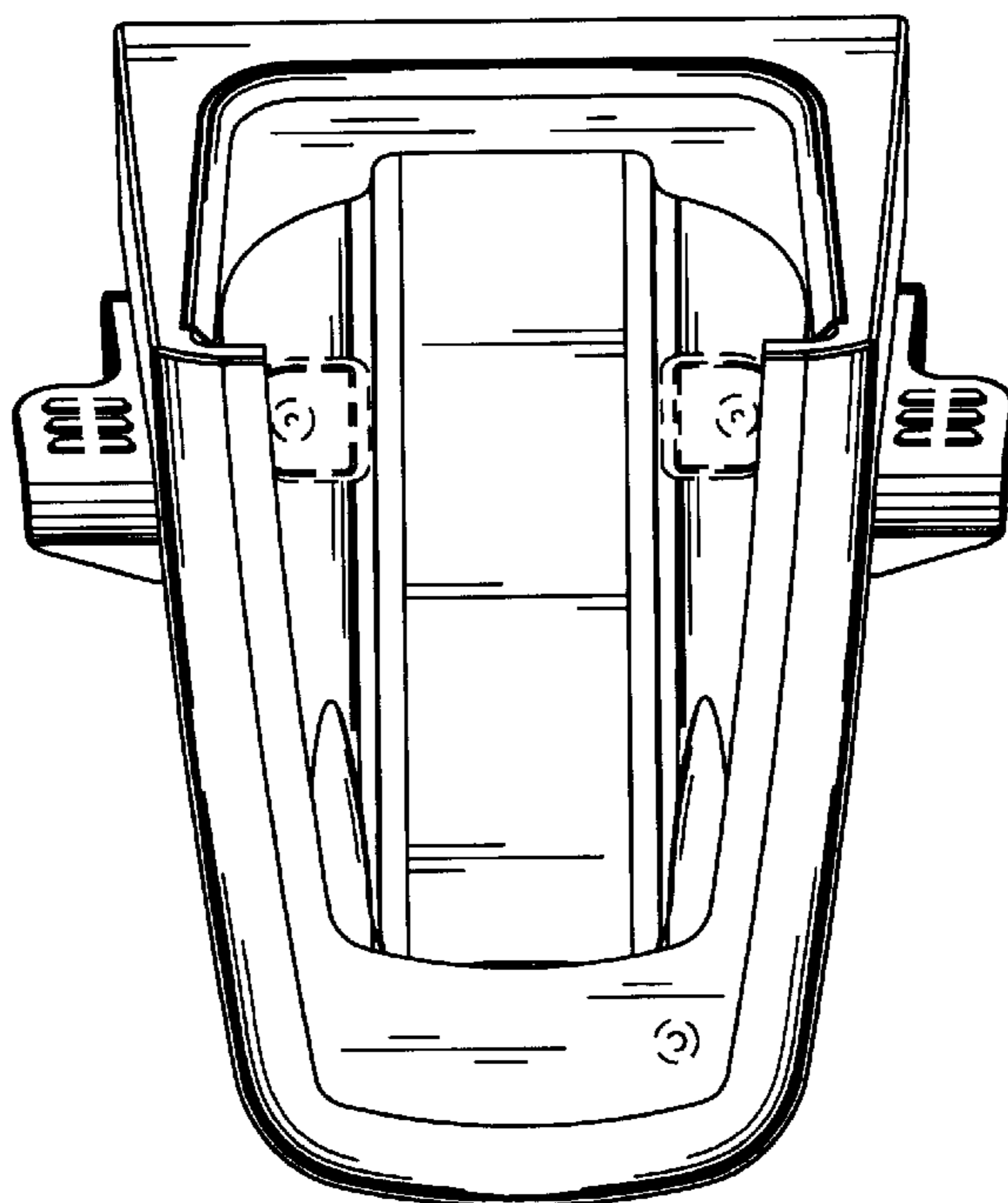


FIG. 2

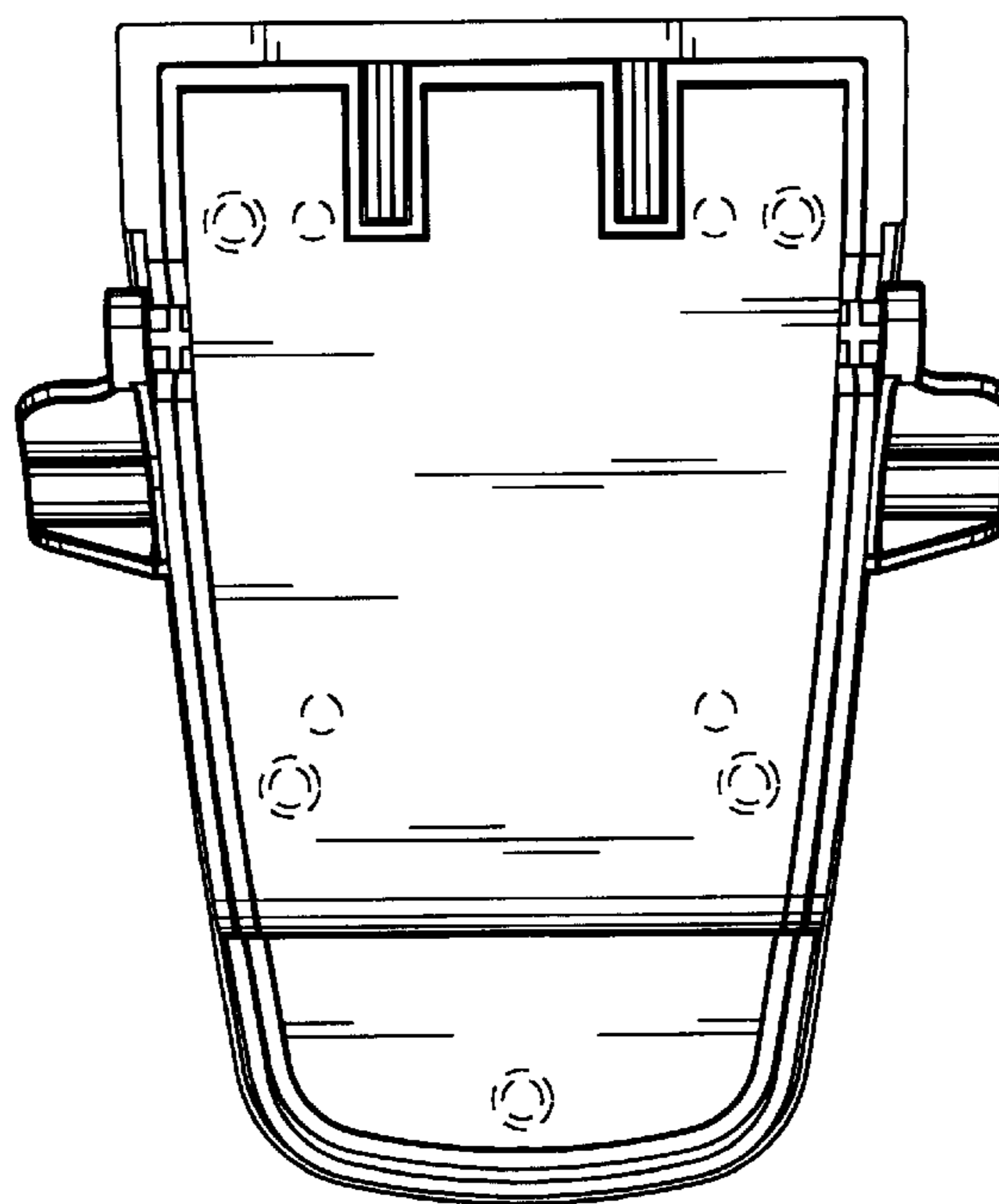


FIG. 3

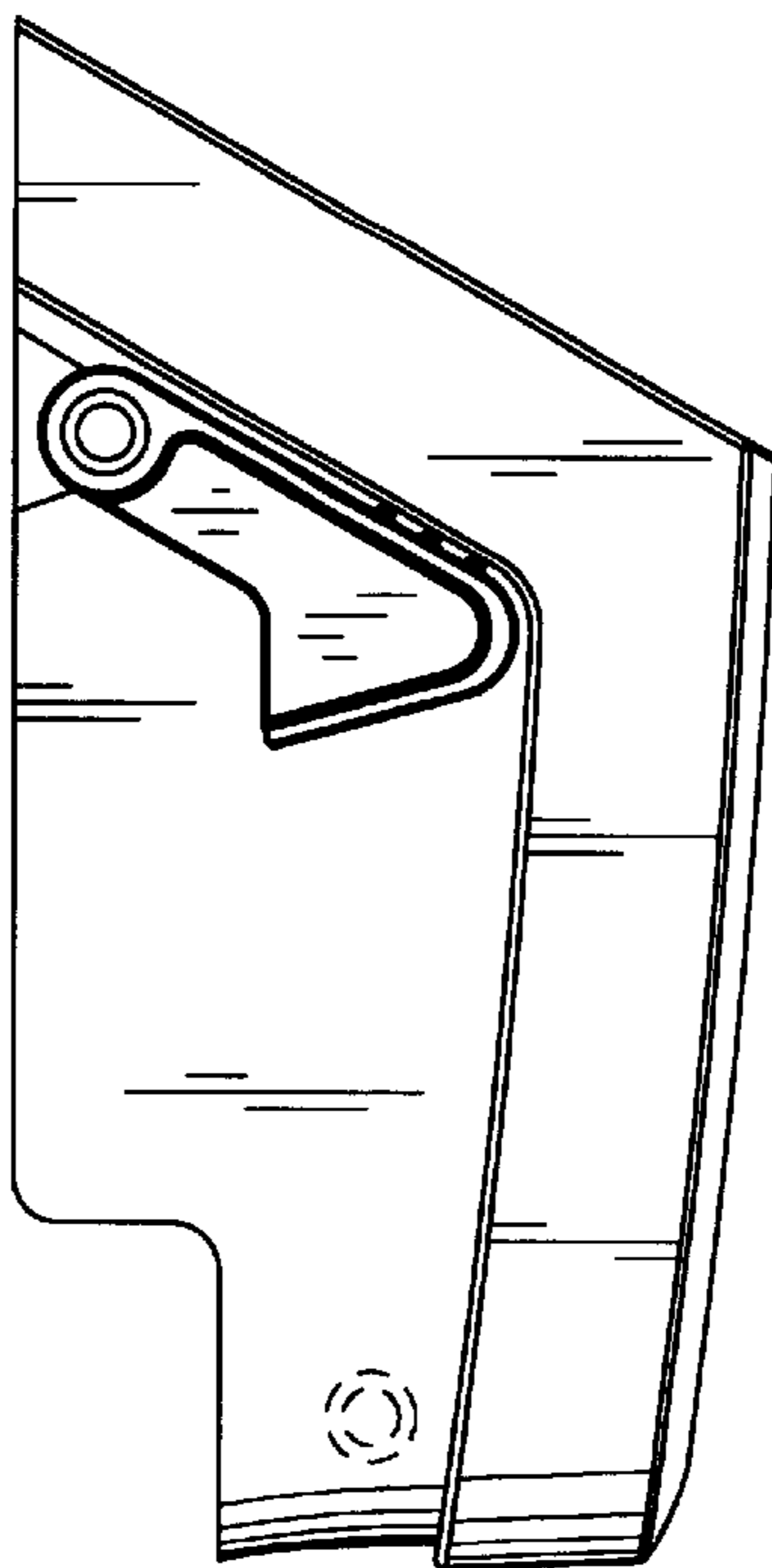


FIG. 4

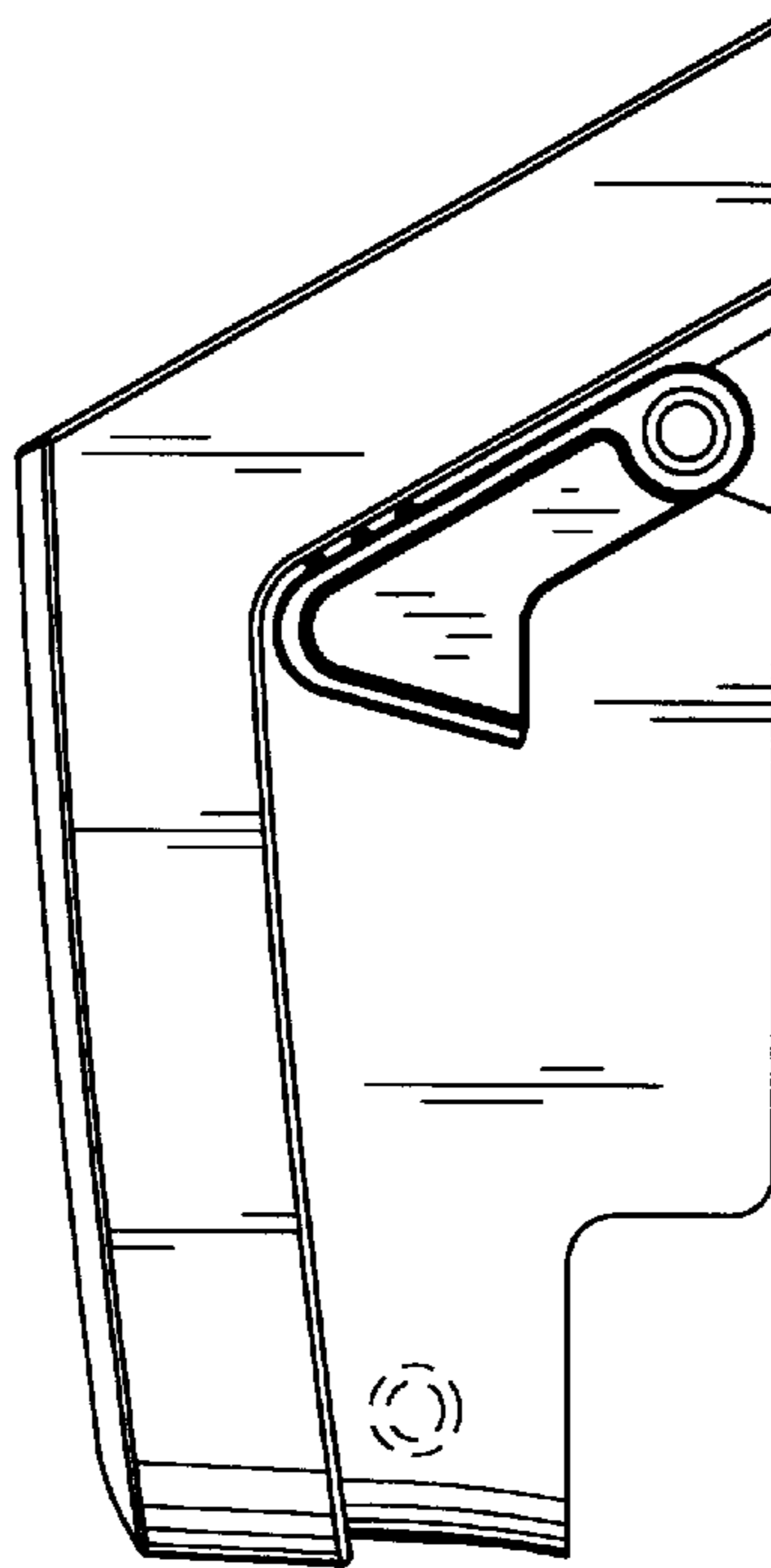


FIG. 5

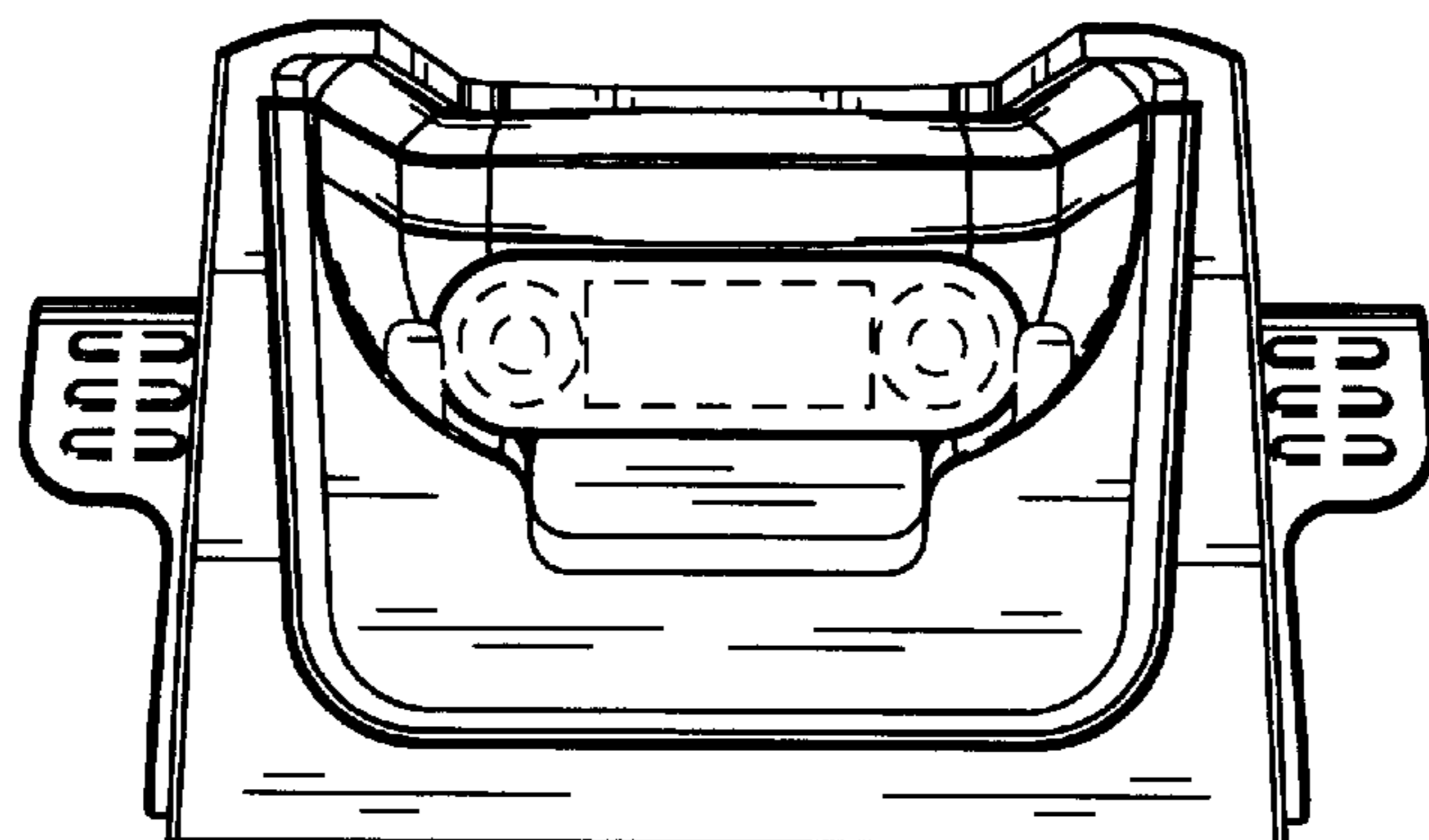


FIG. 6

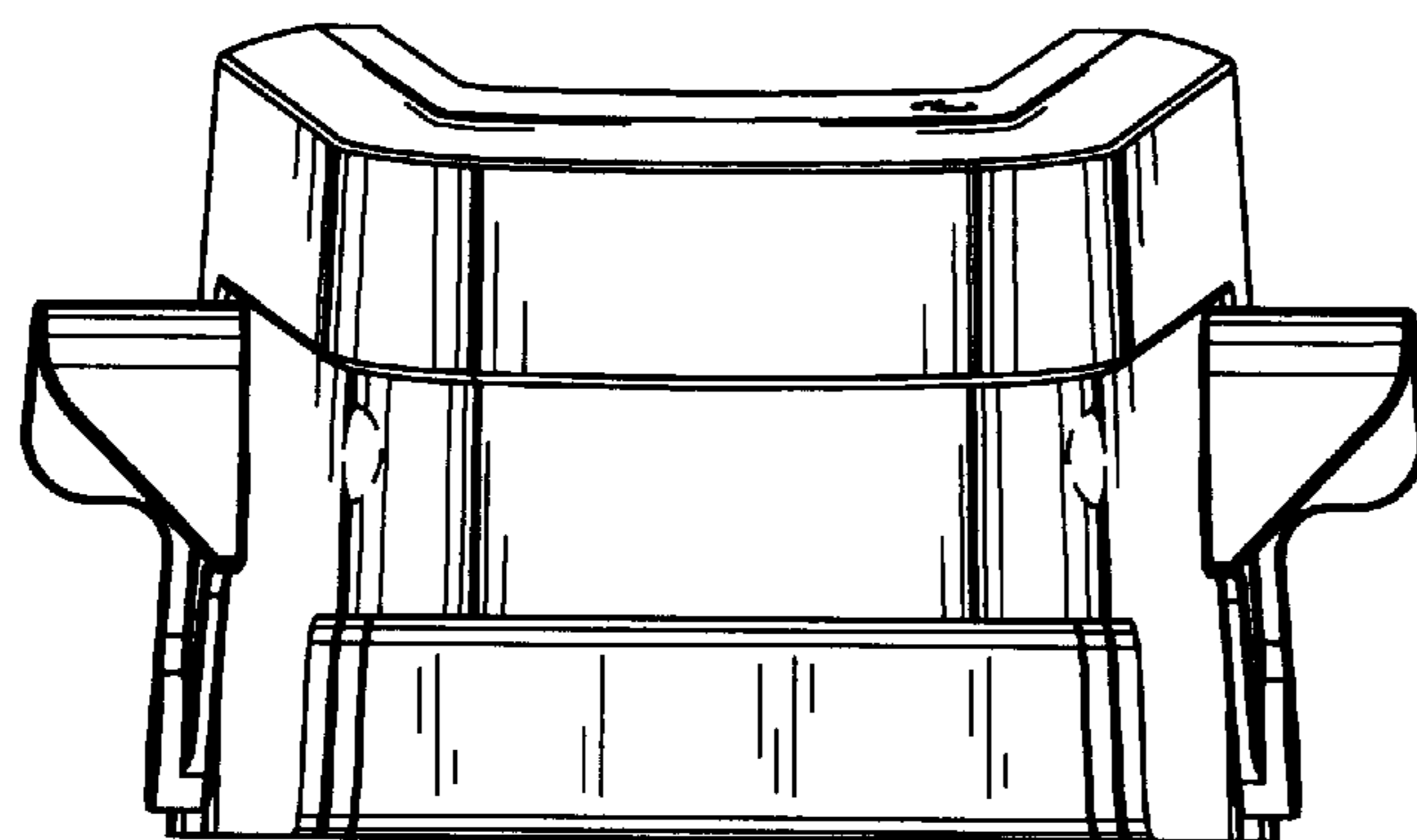


FIG. 7