

US00D541740S

(12) **United States Design Patent**
Tsai et al.

(10) **Patent No.:** **US D541,740 S**

(45) **Date of Patent:** **** May 1, 2007**

(54) **BATTERY CHARGER FOR ELECTRIC TOOL**

(75) Inventors: **Kim Y. C. Tsai**, Taichung Hsien (TW);
Ju-Chien Chen, Taichung (TW);
Fu-Tasi Wu, Taichung County (TW);
Tung-Chin Kuo, Taichung County
(TW); **Hsiang-Po Huang**, Taichung
County (TW)

(73) Assignee: **Mobiletron Electronics Co., Ltd.**,
Taichung Hsien (TW)

(**) Term: **14 Years**

(21) Appl. No.: **29/259,426**

(22) Filed: **May 9, 2006**

(51) **LOC (8) Cl.** **13-02**

(52) **U.S. Cl.** **D13/108**

(58) **Field of Classification Search** D13/107-110,
D13/118-119, 184; D14/251, 253, 432, 434;
320/107-115

See application file for complete search history.

(56) **References Cited**

U.S. PATENT DOCUMENTS

- D302,808 S * 8/1989 Skuza et al. D13/107
- D313,004 S * 12/1990 Hasegawa et al. D13/108
- D321,337 S * 11/1991 Sakamoto et al. D13/108
- 5,065,082 A * 11/1991 Fushiya 320/110

- D342,718 S * 12/1993 Mackay D13/108
- D400,164 S * 10/1998 Lindahl D13/108
- D400,499 S * 11/1998 Bunyea D13/107
- D404,006 S * 1/1999 Clowers et al. D13/107
- D407,685 S * 4/1999 Lohrding et al. D13/107
- D429,211 S * 8/2000 Ohi et al. D13/107
- D446,184 S * 8/2001 Parker D13/107
- D460,412 S * 7/2002 Nawrozki D13/107
- D515,502 S * 2/2006 Wen D13/108

* cited by examiner

Primary Examiner—Alan P. Douglas

Assistant Examiner—Rosemary K. Tarcza

(74) *Attorney, Agent, or Firm*—Bacon & Thomas, PLLC

(57) **CLAIM**

The ornamental design for a battery charger for electric tool,
as shown.

DESCRIPTION

FIG. 1 shows a perspective view of the present design.

FIG. 2 shows a right side elevational view of the present
design.

FIG. 3 shows a top plan view of the present design.

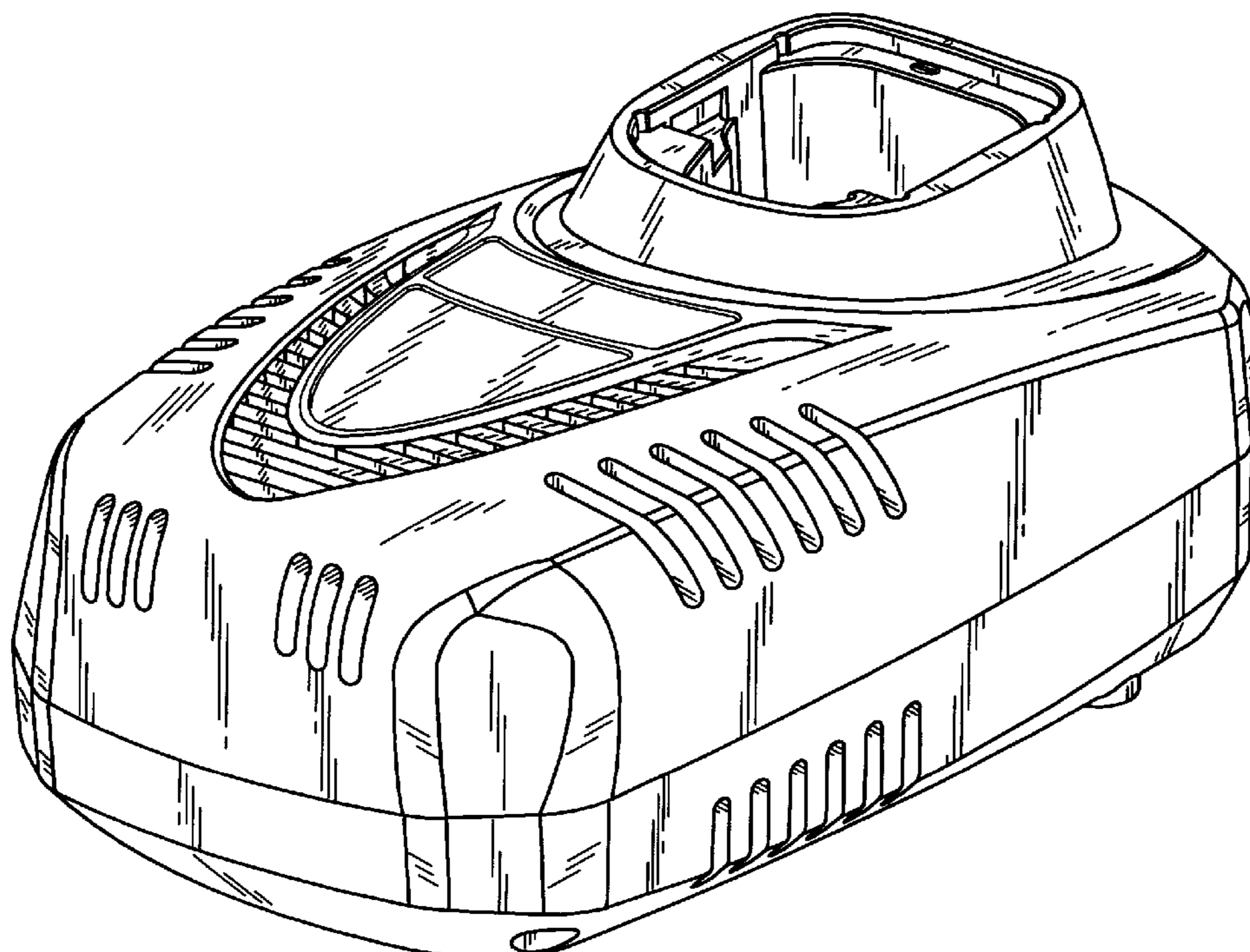
FIG. 4 shows a front elevational view of the present design.

FIG. 5 shows a bottom plan view of the present design.

FIG. 6 shows a left side elevational view of the present
design; and,

FIG. 7 shows a rear elevational view of the present design.

1 Claim, 7 Drawing Sheets



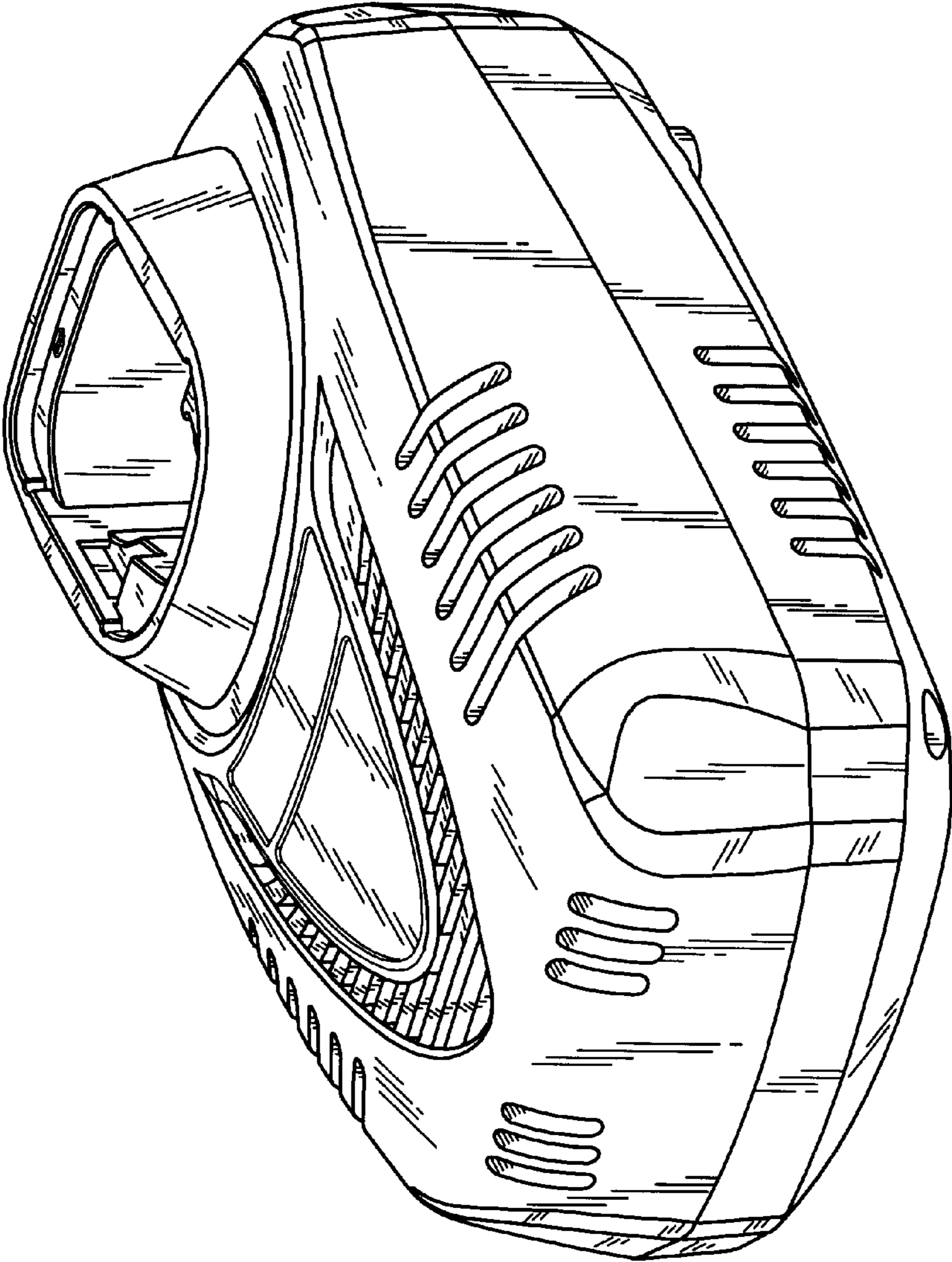


FIG. 1

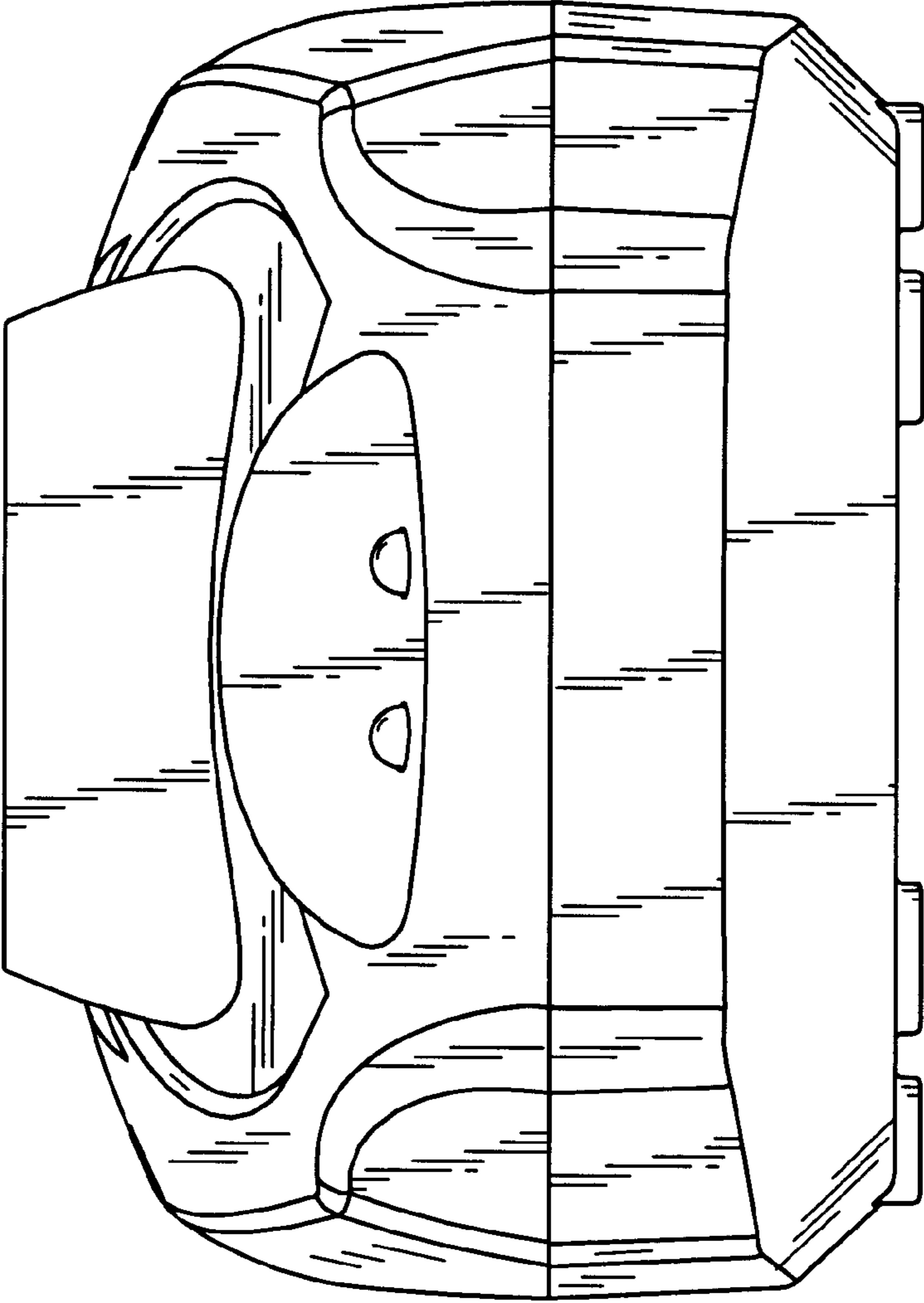


FIG. 2

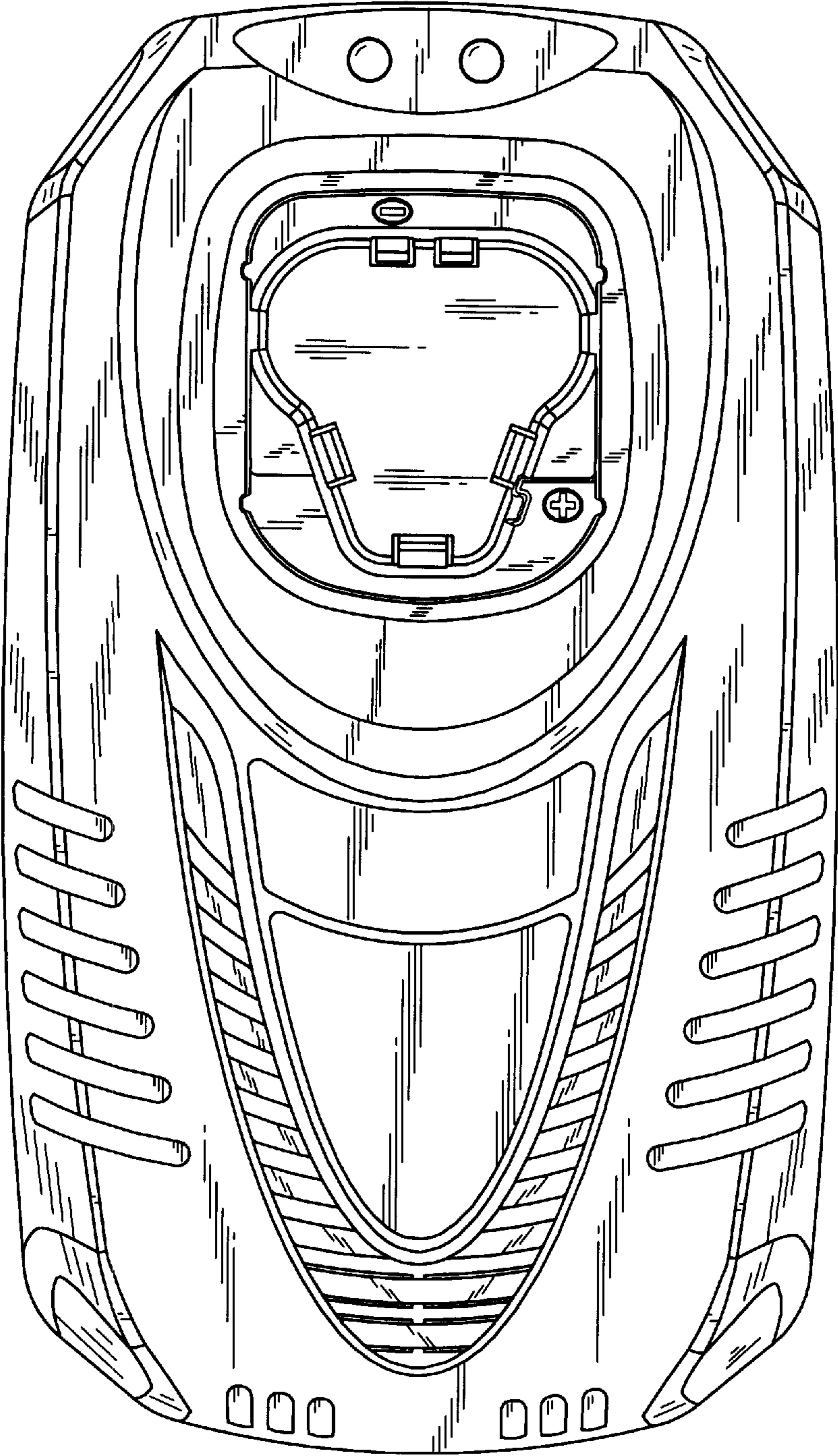


FIG. 3

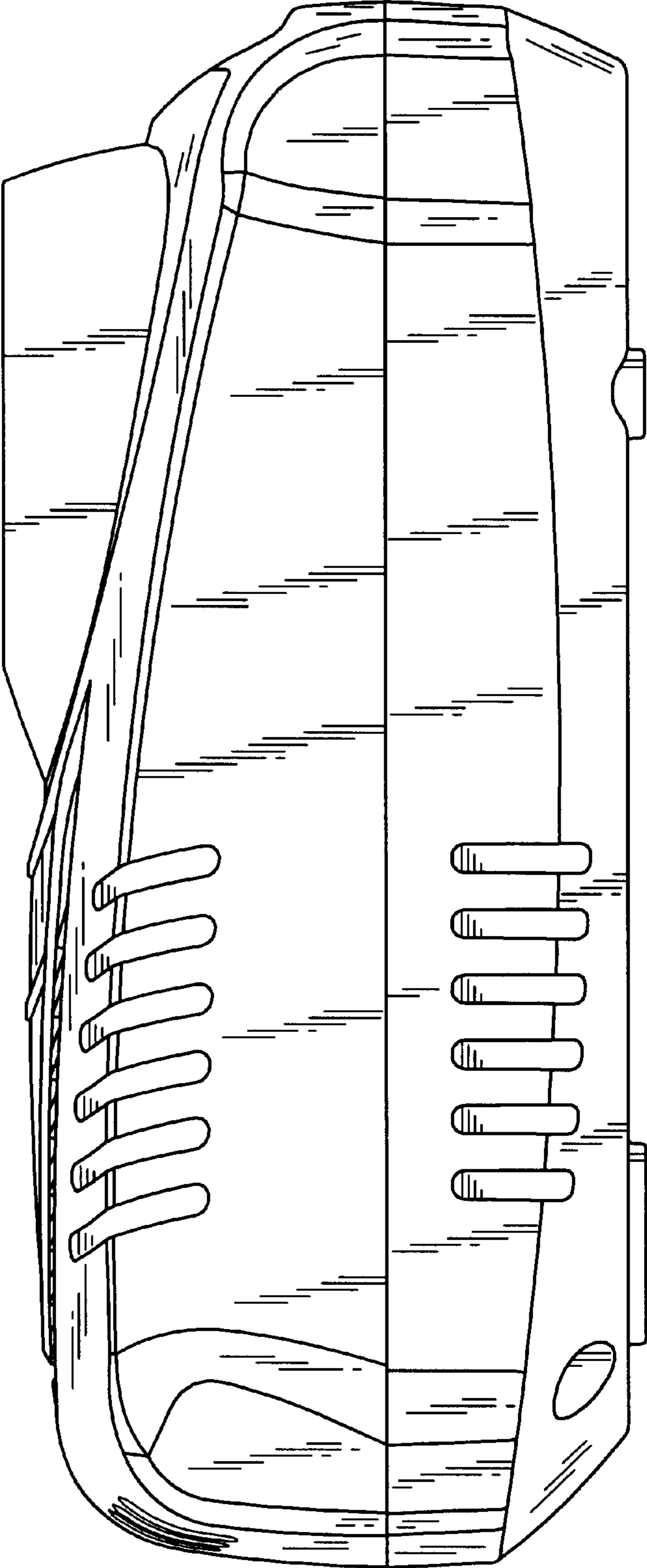


FIG. 4

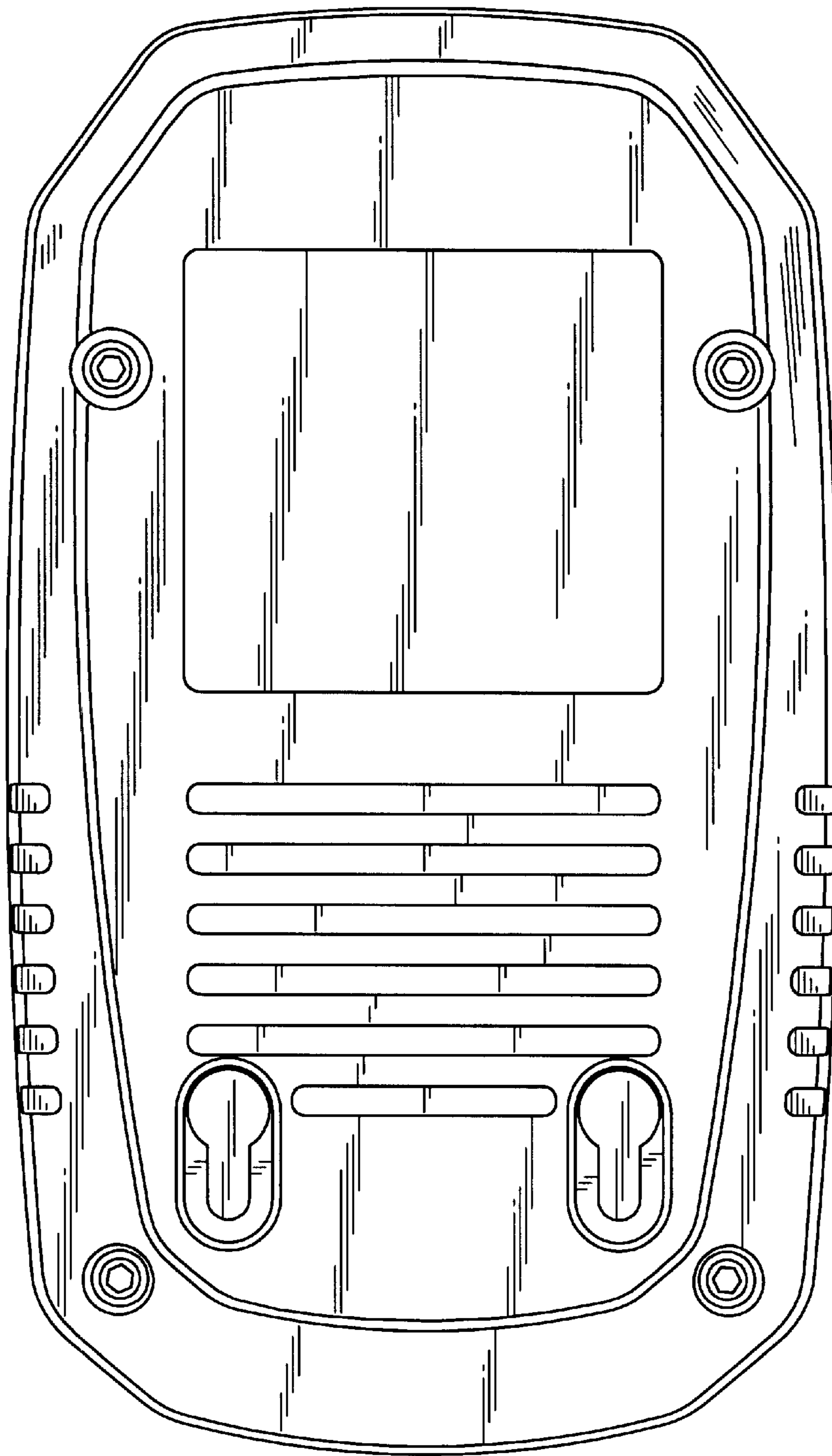


FIG. 5

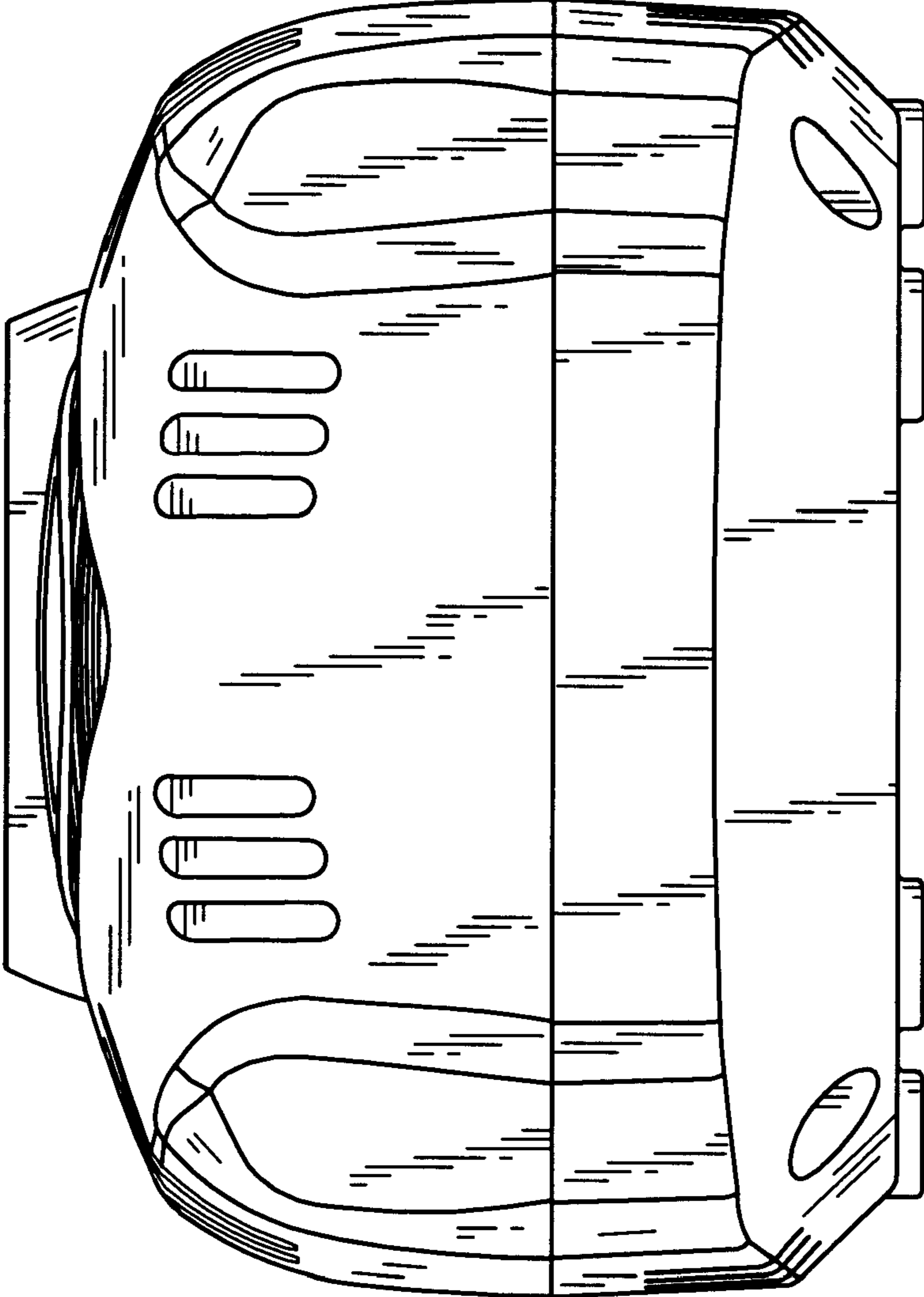


FIG. 6

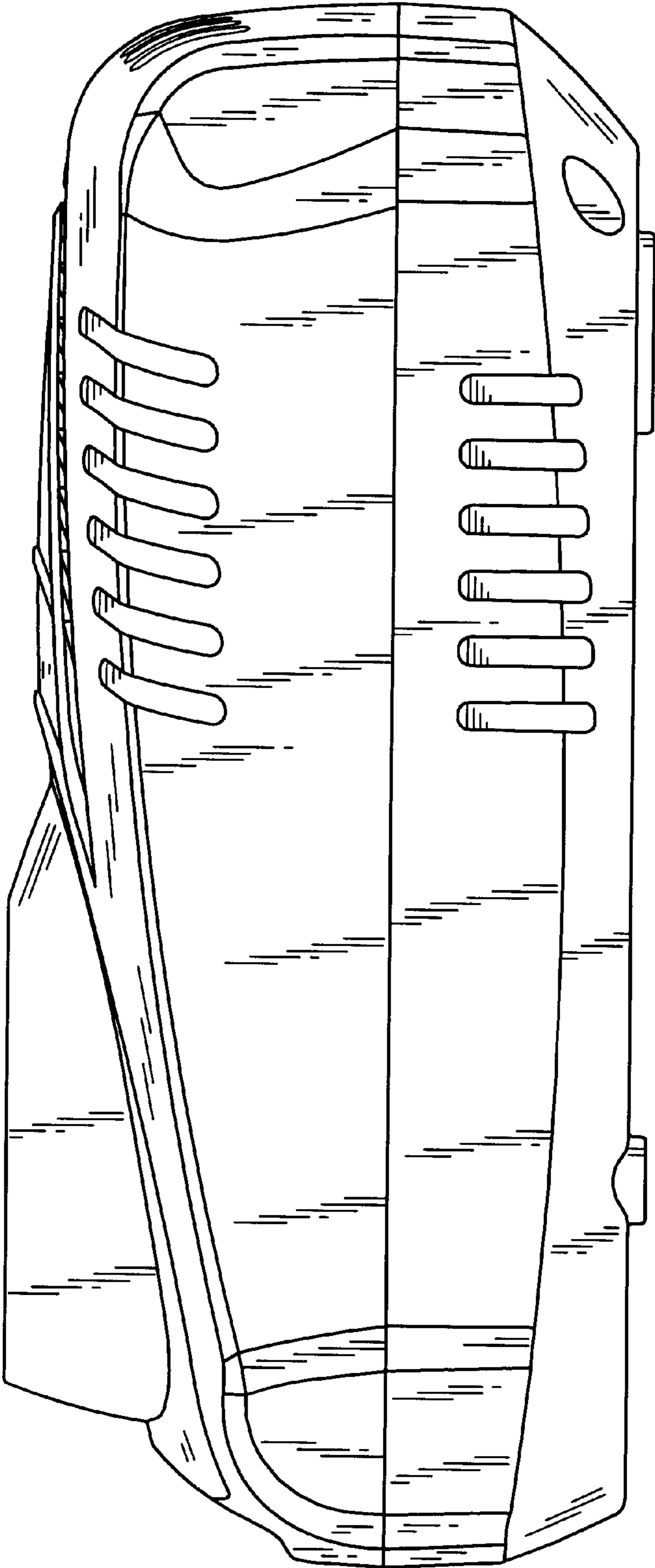


FIG. 7