

US00D541729S

(12) **United States Design Patent**
French

(10) **Patent No.:** **US D541,729 S**
(45) **Date of Patent:** **** May 1, 2007**

(54) **CARGO EXTENSION FOR A VEHICLE**

(76) Inventor: **Horace Edgar French**, 2721 Club Dr., Greensboro, GA (US) 30642

(**) Term: **14 Years**

(21) Appl. No.: **29/215,876**

(22) Filed: **Oct. 26, 2004**

(51) **LOC (8) Cl.** **12-16**

(52) **U.S. Cl.** **D12/414**

(58) **Field of Classification Search** D12/414,
D12/414.1, 221, 98; 224/402-405, 521, 526,
224/495-498, 502; 296/26.08, 26.11, 26,
296/37.6, 392, 50-51, 57.1, 181.3

See application file for complete search history.

(56) **References Cited**

U.S. PATENT DOCUMENTS

D132,903 S	*	6/1942	Bisantz	D12/15
D224,219 S	*	7/1972	Ritter	D12/221
D248,386 S	*	7/1978	Hefner	D12/221

(Continued)

Primary Examiner—Caron D. Veynar

Assistant Examiner—Katrina A. Kile

(74) *Attorney, Agent, or Firm*—Alston & Bird LLP

(57) **CLAIM**

The ornamental design for a cargo extension for a vehicle, as shown and described.

DESCRIPTION

FIG. 1 is a perspective view of a cargo extension for a vehicle showing my new design;

FIG. 2 is a rear elevation view of the cargo extension shown in FIG. 1;

FIG. 3 is a front elevation view of the cargo extension shown in FIG. 1;

FIG. 4 is a left side elevation view of the cargo extension shown in FIG. 1;

FIG. 5 is a right side elevation view of the cargo extension shown in FIG. 1;

FIG. 6 is a top view of the cargo extension shown in FIG. 1;

FIG. 7 is a bottom view of the cargo extension shown in FIG. 1;

FIG. 8 is a detailed view of a latch pin for the cargo extension shown in FIG. 1; and

FIG. 9 is a detailed view of a draw latch and hook for the cargo extension shown in FIG. 1;

FIG. 10 is a perspective view of a second embodiment of a cargo extension for a vehicle;

FIG. 11 is a rear elevation view of the cargo extension shown in FIG. 10;

FIG. 12 is a left side elevation view of the cargo extension shown in FIG. 10; the right side elevation view being a mirror image of the left side elevation view without the vertical latch pin support and the latch pin and with the smaller, non modified radius draw latch hook shown in FIG. 10;

FIG. 13 is a top view of the cargo extension shown in FIG. 10; the front view and bottom view of the cargo extension shown in FIG. 10 are unornamented and form no part of the claimed design of the cargo extension shown in FIG. 10;

FIG. 14 is a perspective view of a third embodiment of a cargo extension for a vehicle;

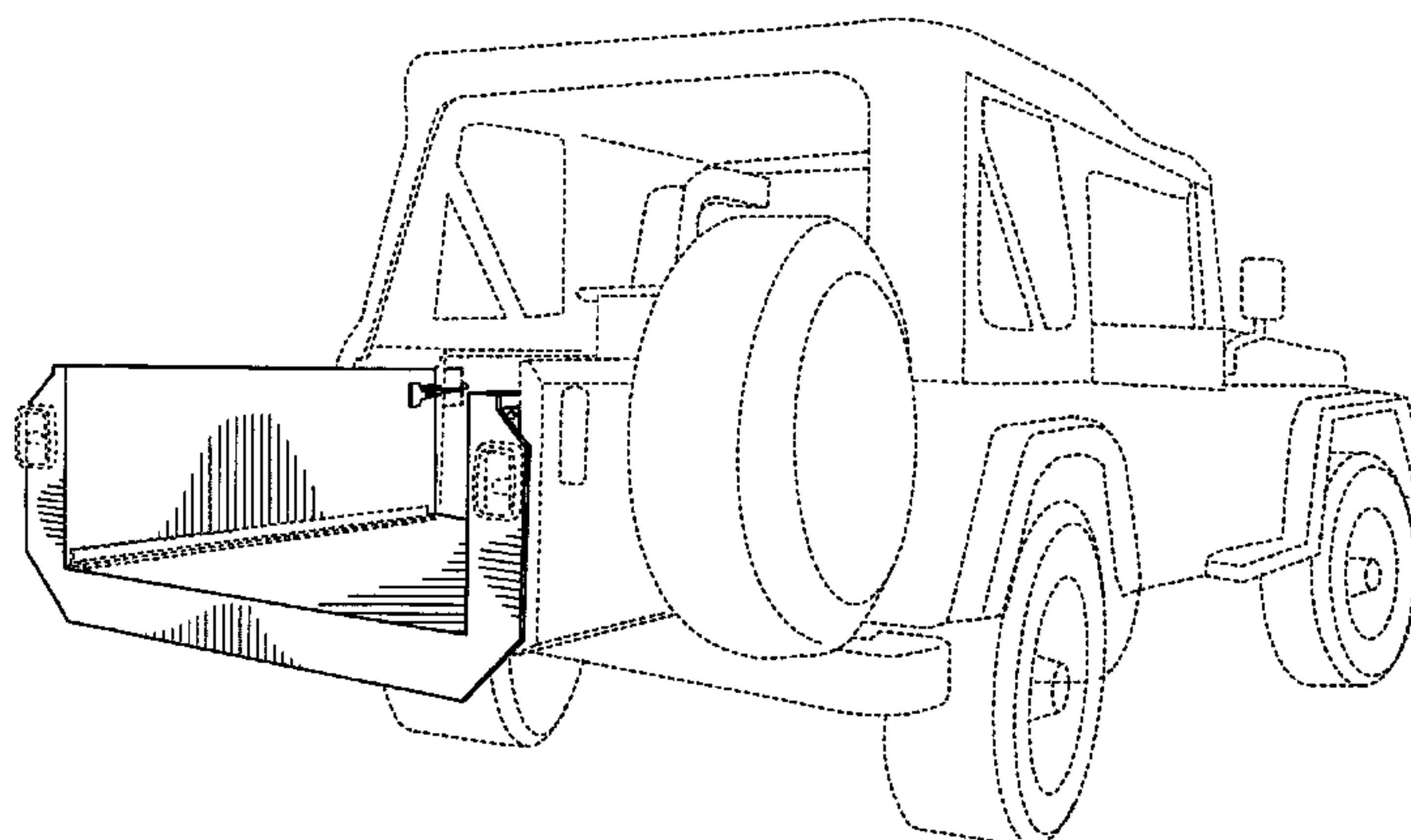
FIG. 15 is a rear elevation view of the cargo extension shown in FIG. 14;

FIG. 16 is a left side elevation view of the cargo extension shown in FIG. 14; the right side elevation view being a mirror image of the left side elevation view without the vertical latch pin support and the latch pin and with the smaller, non modified radius draw latch hook shown in FIG. 14; and,

FIG. 17 is a top view of the cargo extension shown in FIG. 14; the front view and bottom view of the cargo extension shown in FIG. 14 are unornamented and form no part of the claimed design of the cargo extension shown in FIG. 14.

The broken lines shown herein are for illustrative purposes only and form no part of the claimed design.

1 Claim, 12 Drawing Sheets



US D541,729 S

Page 2

U.S. PATENT DOCUMENTS

D300,522 S *	4/1989	Wegner	D12/98	6,120,076 A	9/2000	Adsit et al.	
4,909,558 A *	3/1990	Roshinsky	296/37.6	D437,285 S	2/2001	McCoy et al.	
5,080,418 A *	1/1992	Semple et al.	296/39.2	6,322,128 B1	11/2001	Karrer	
D336,062 S	6/1993	Austin		6,338,515 B1	1/2002	Munhall	
D350,105 S *	8/1994	Schroeder	D12/221	6,340,190 B1	1/2002	Rosebrugh et al.	
D384,185 S *	9/1997	Oertwig	D12/423	6,367,858 B1	4/2002	Bradford	
5,735,565 A	4/1998	Papai et al.		6,378,926 B1	4/2002	Renze et al.	
5,765,892 A	6/1998	Covington		6,422,630 B1	7/2002	Heaviside	
5,826,932 A	10/1998	DeSimone		6,491,331 B1	12/2002	Fox	
5,857,724 A	1/1999	Jarman		6,554,340 B1	4/2003	Stevenson	
D406,558 S	3/1999	Pendergraph		D477,562 S	7/2003	McCoy et al.	
5,941,588 A	8/1999	Marconi		6,609,743 B1	8/2003	Stevenson	
6,007,127 A	12/1999	Garofalo		6,648,391 B1	11/2003	Whiteford et al.	
6,042,167 A	3/2000	Pierce et al.		D483,314 S *	12/2003	Graves	D12/221
D425,825 S *	5/2000	Shambeau et al.	D12/93	2004/0119310 A1 *	6/2004	Bommarito et al.	296/39.2
6,082,801 A	7/2000	Owen et al.		2006/0055194 A1 *	3/2006	Reed	296/26.11
6,113,171 A	9/2000	Stearns					

* cited by examiner

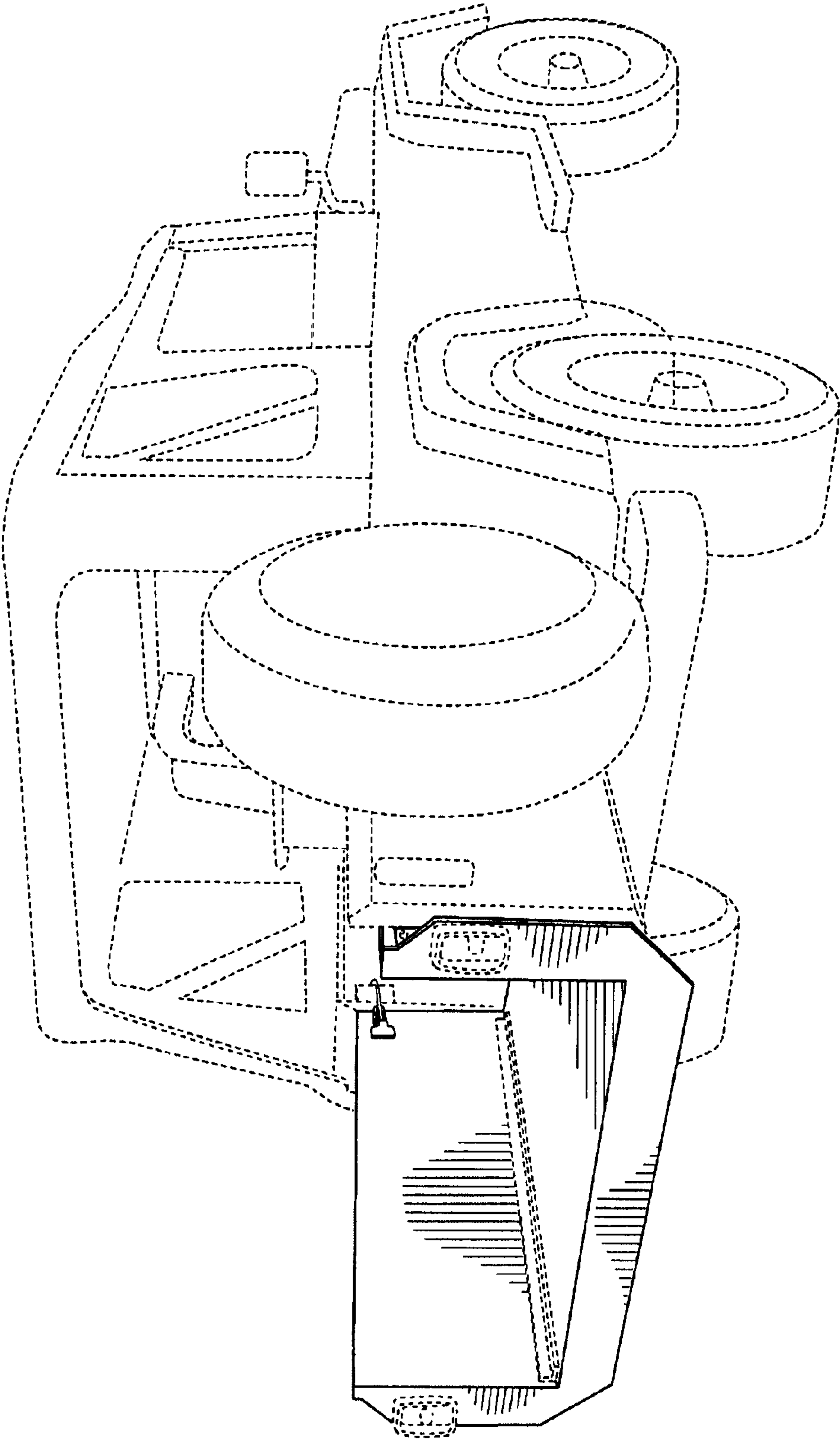


FIG. 1

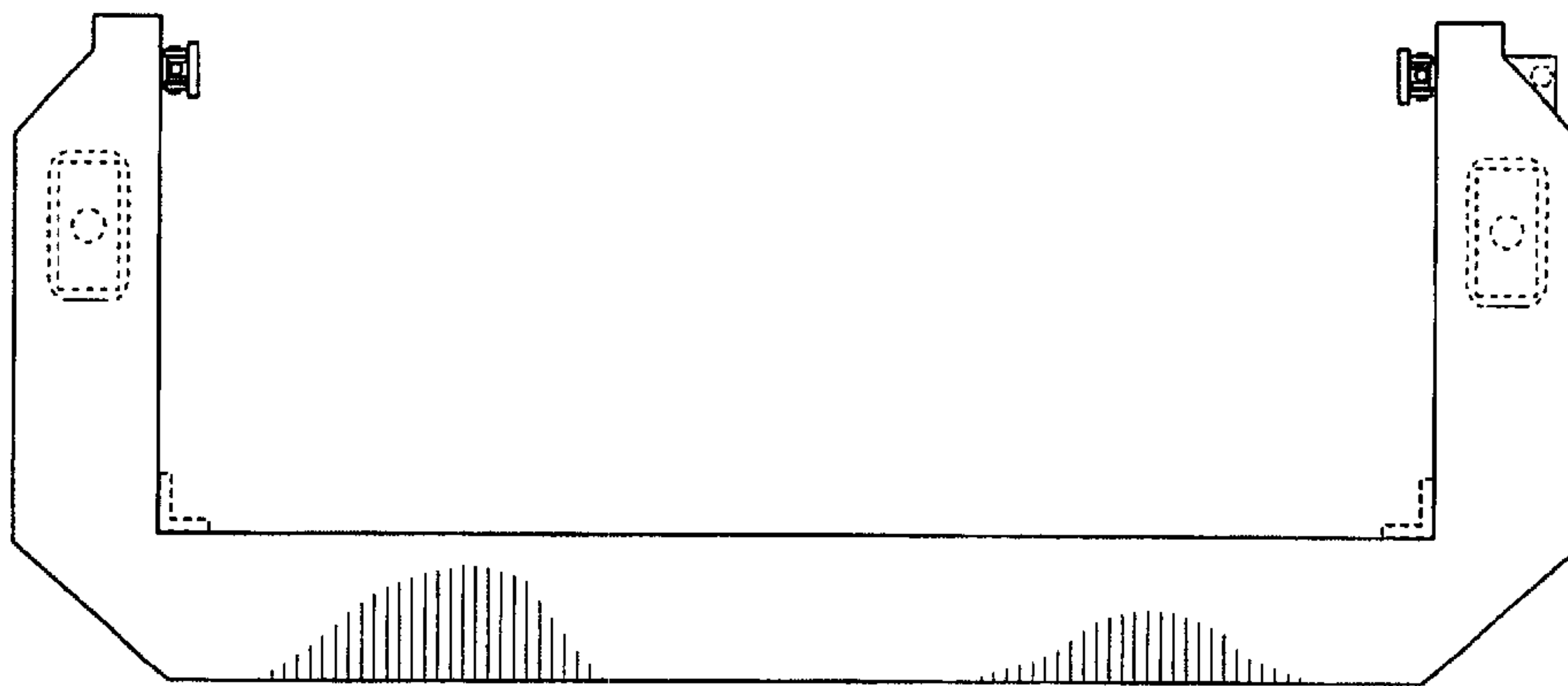


FIG. 2



FIG. 3

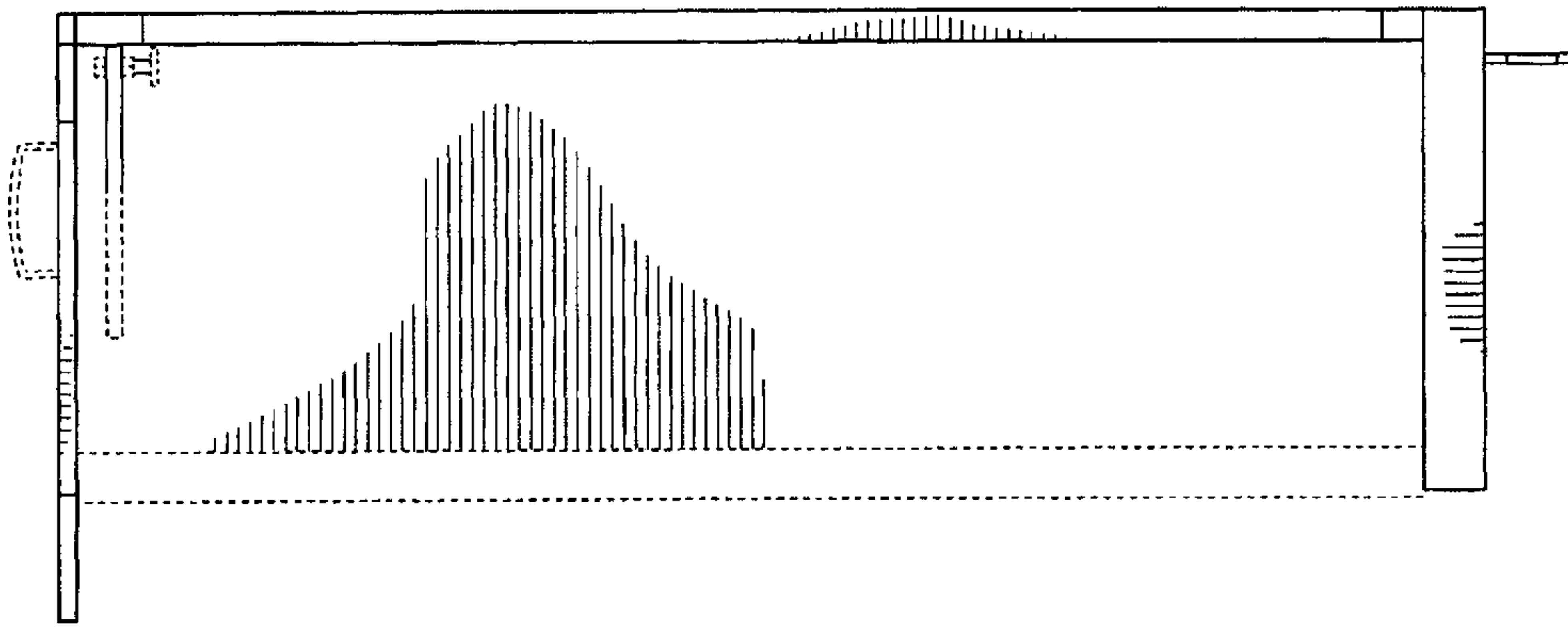


FIG. 4

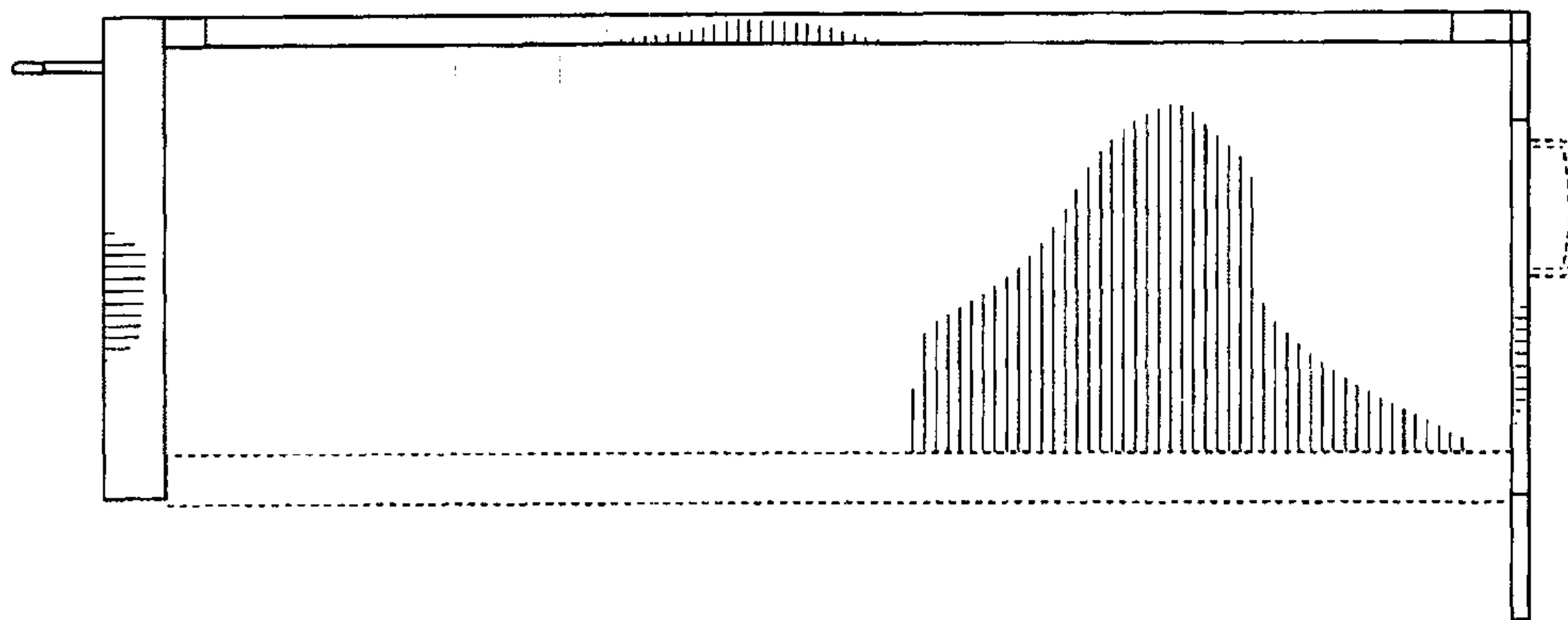


FIG. 5

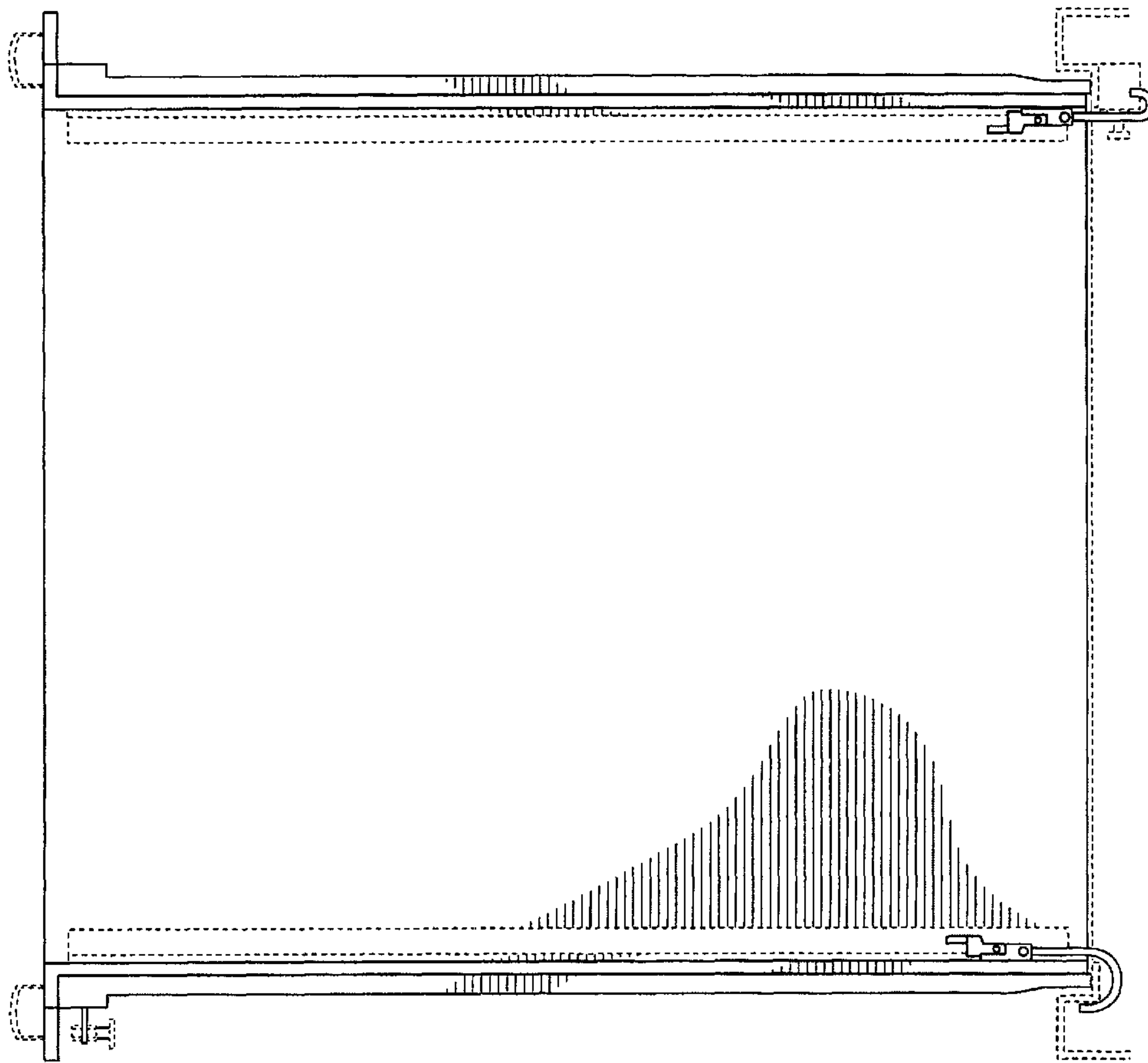


FIG. 6

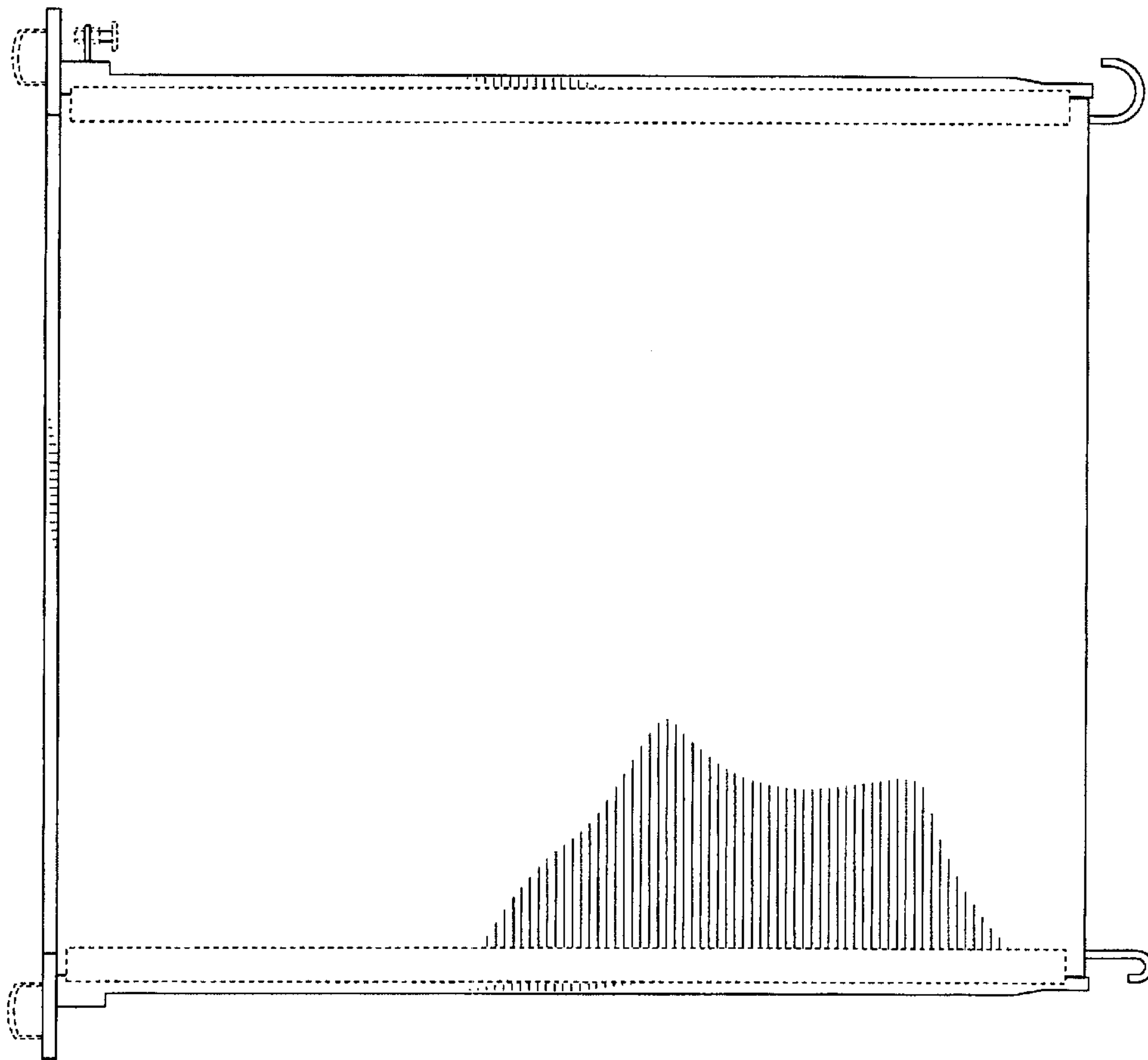


FIG. 7

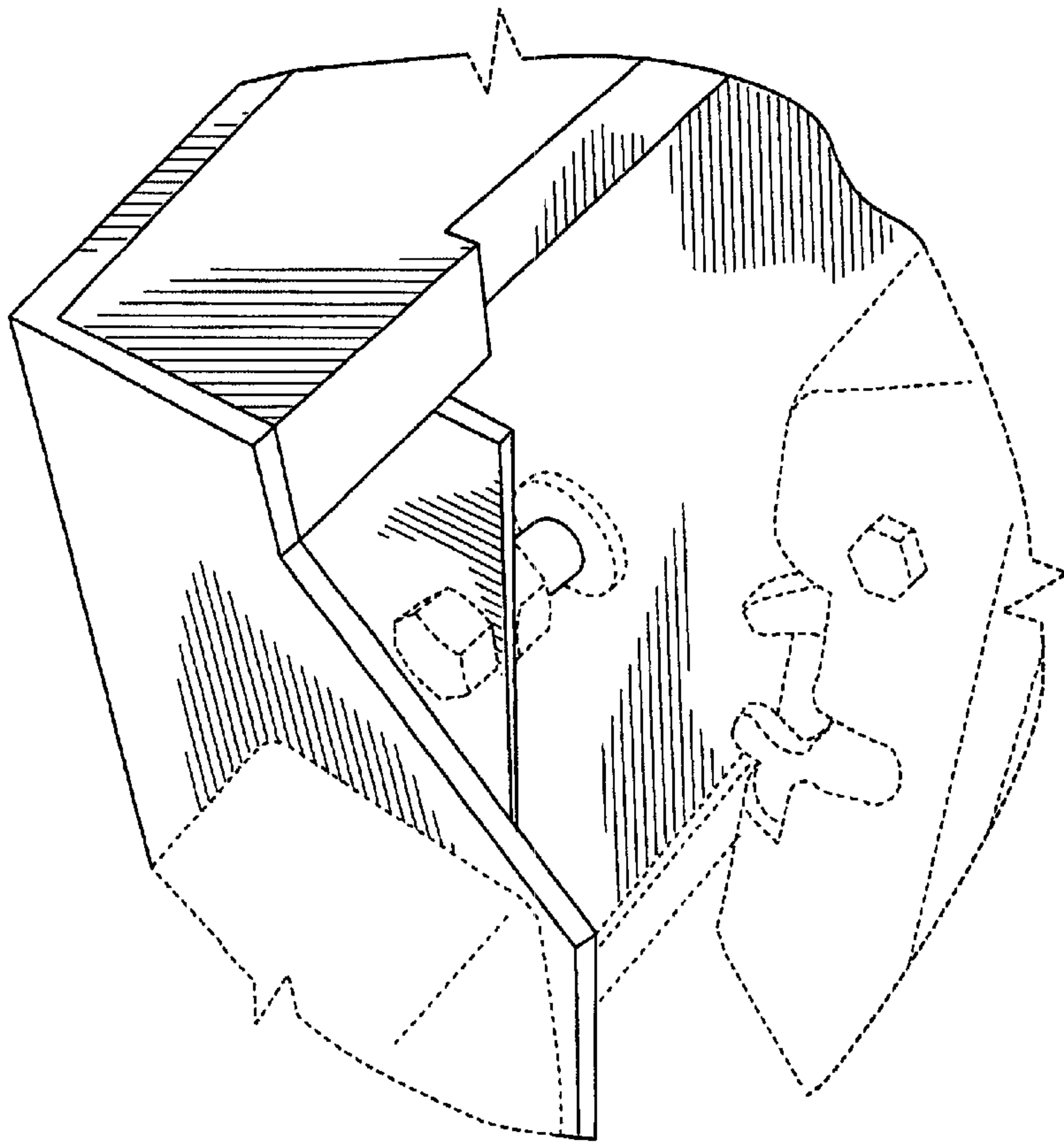


FIG. 8

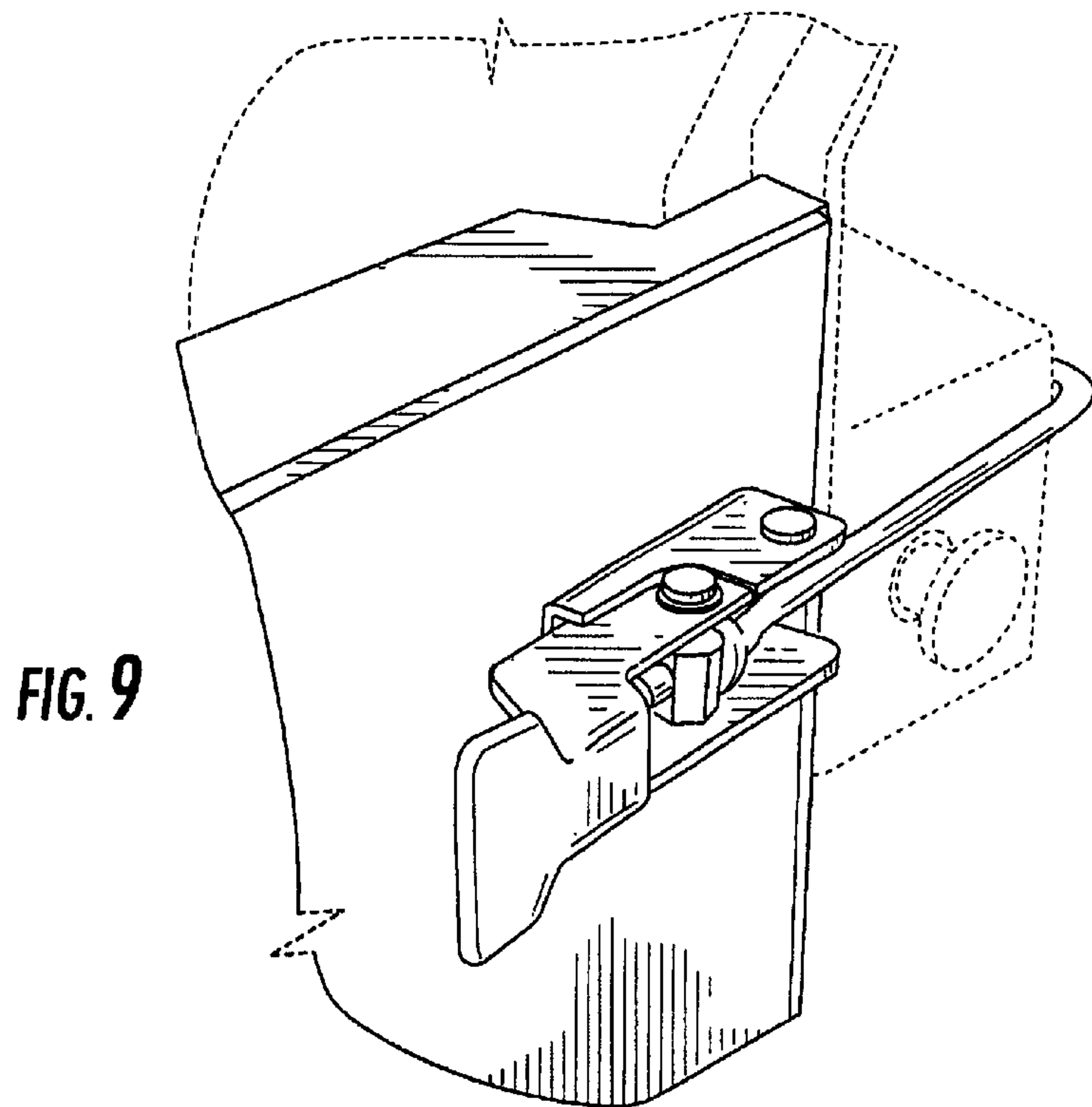


FIG. 9

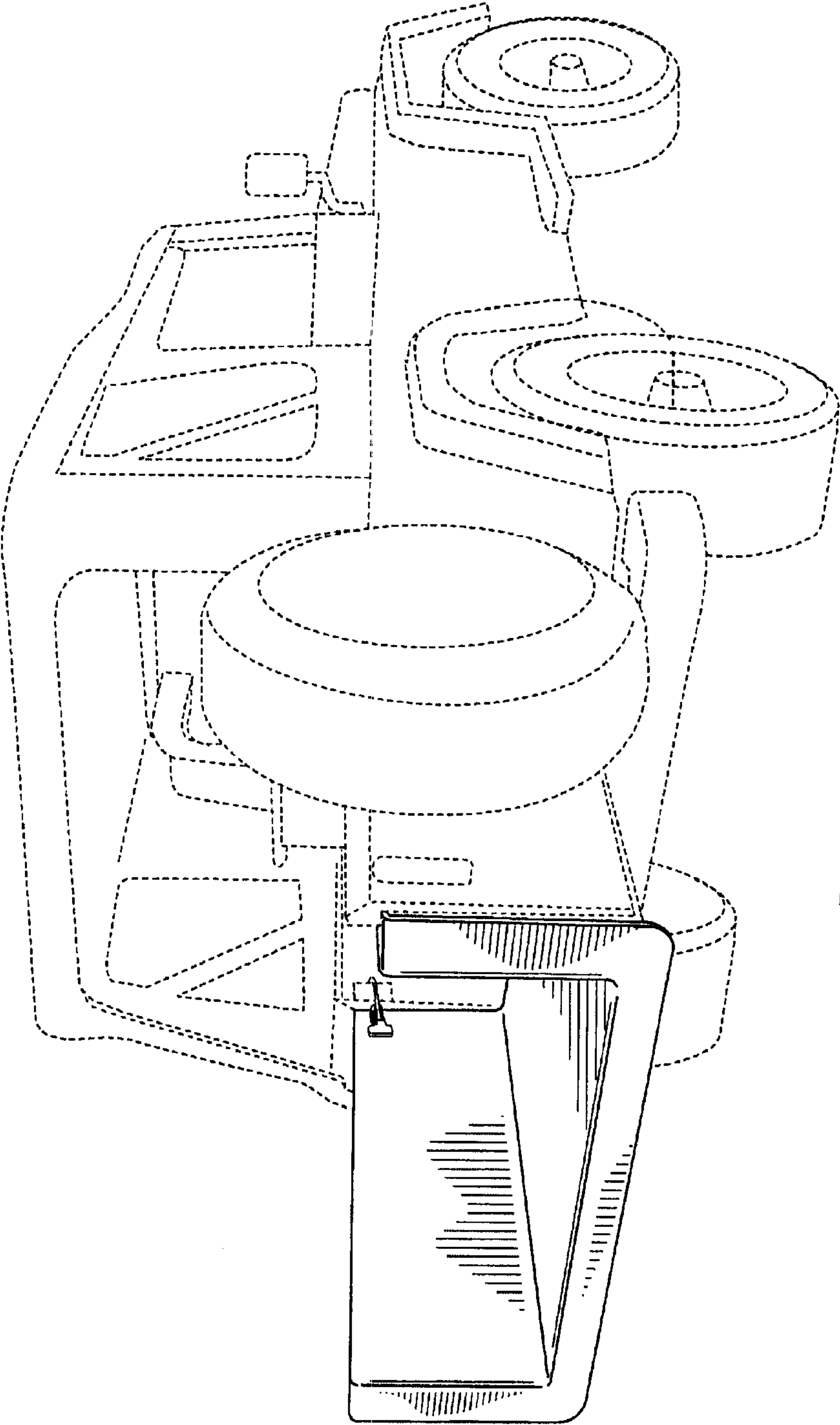


FIG. 10

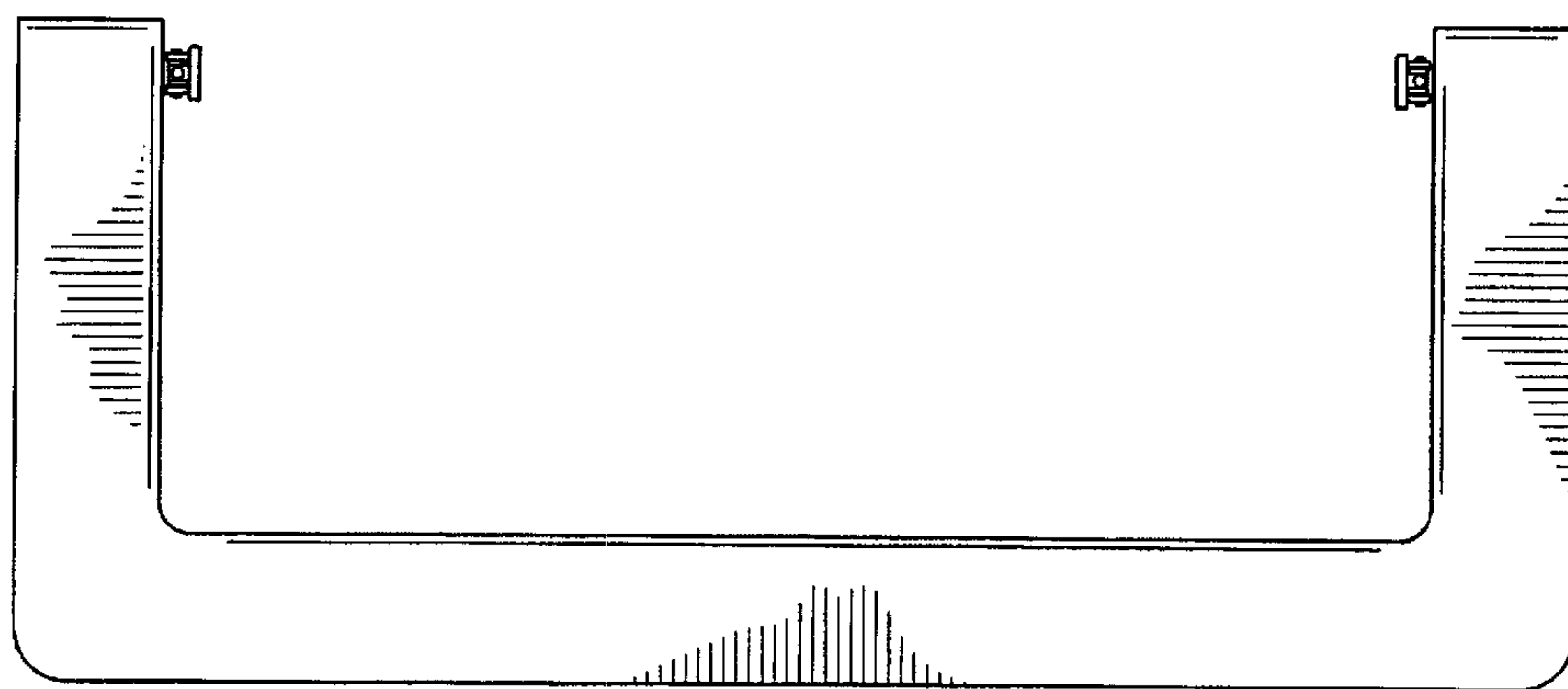


FIG. 11

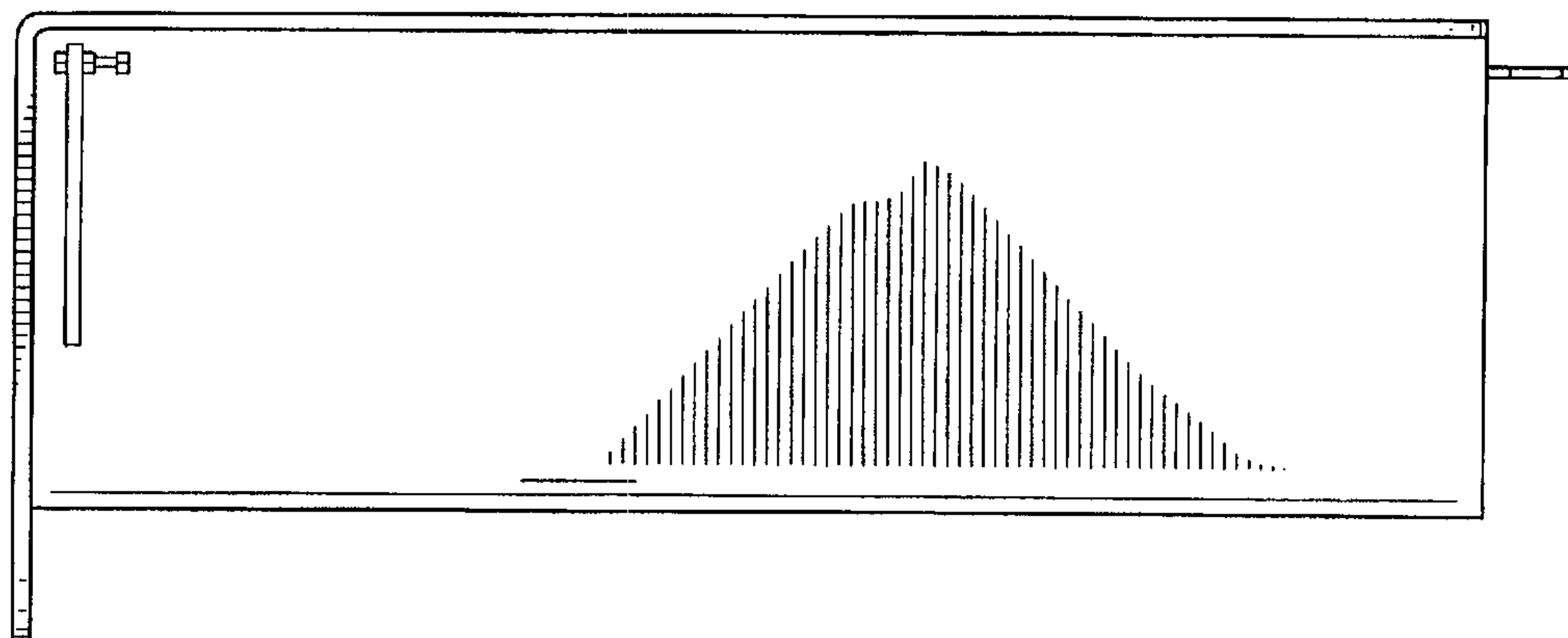


FIG. 12

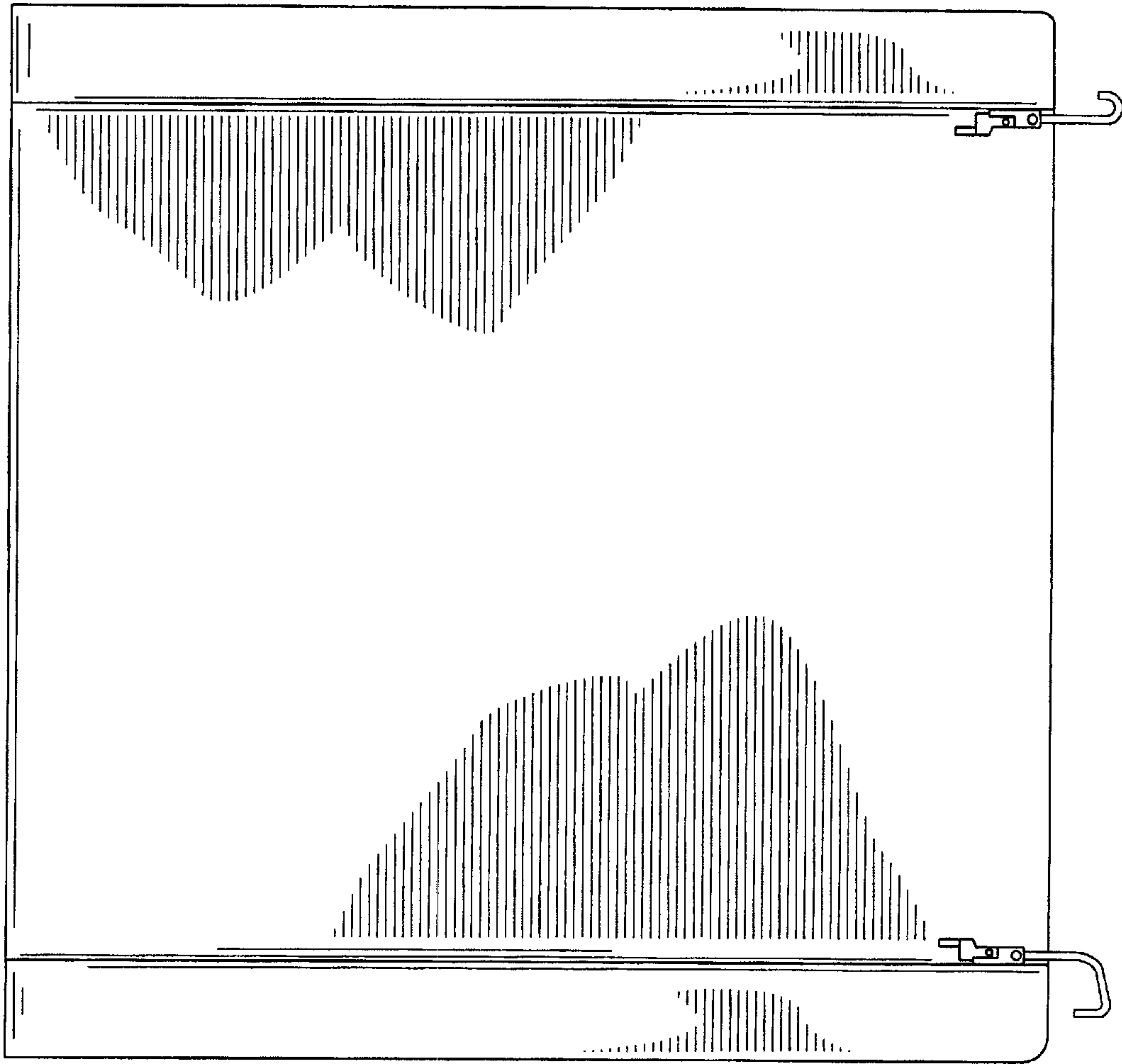


FIG. 13

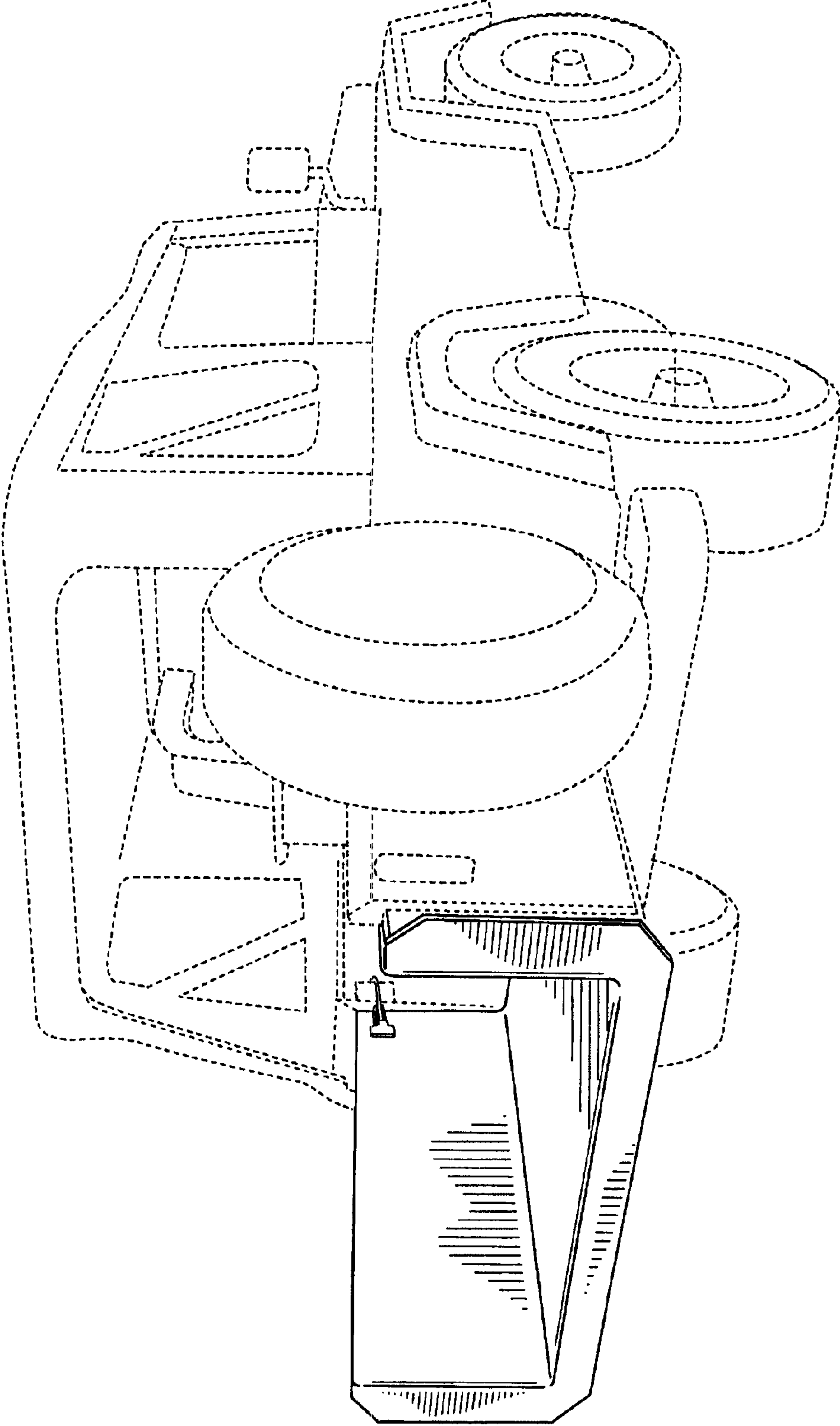


FIG. 14

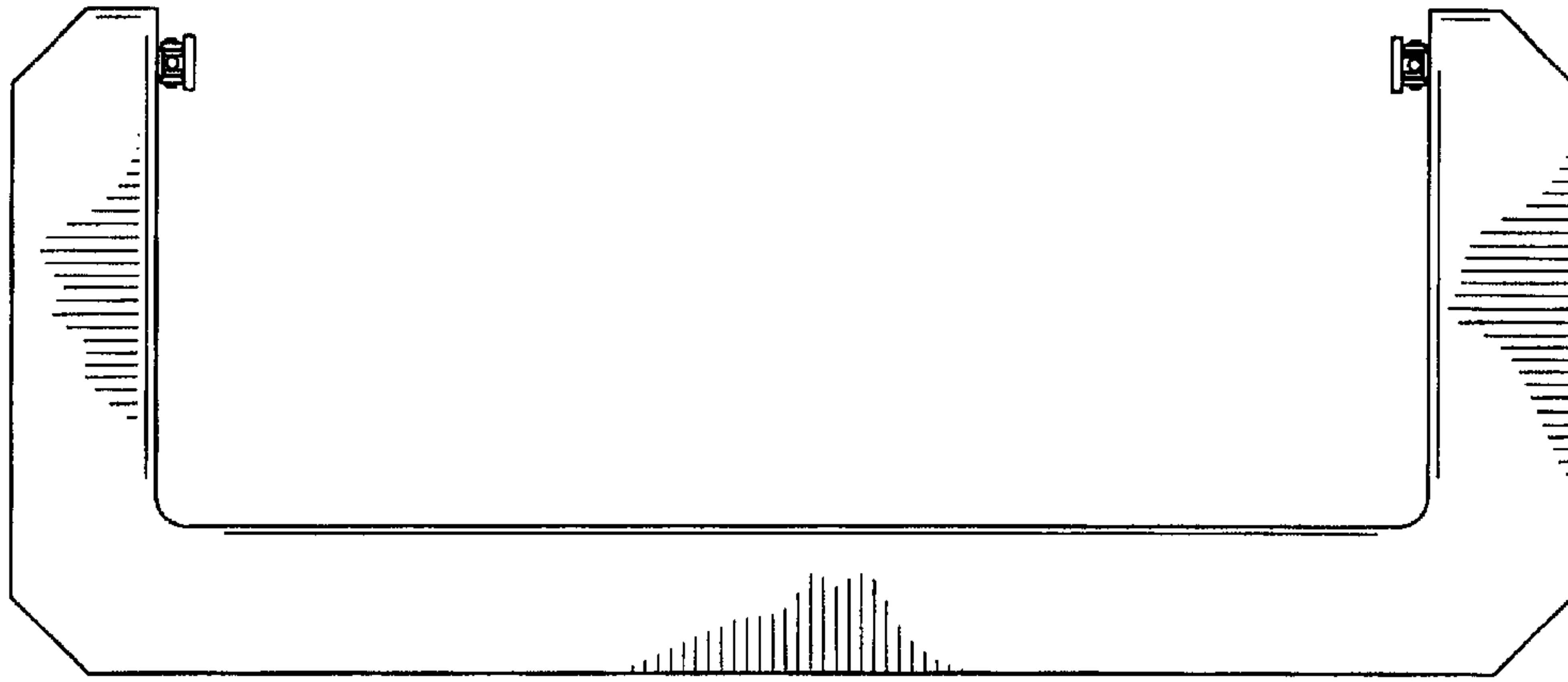


FIG. 15

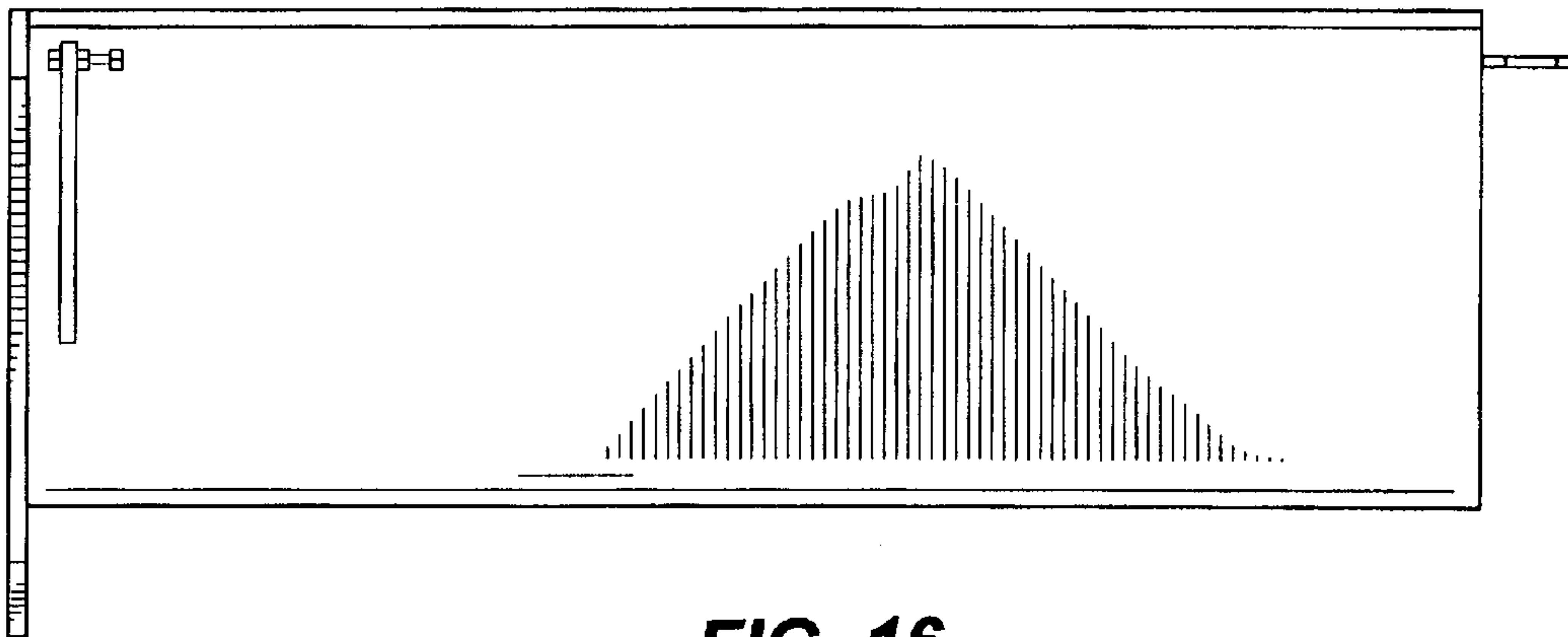


FIG. 16

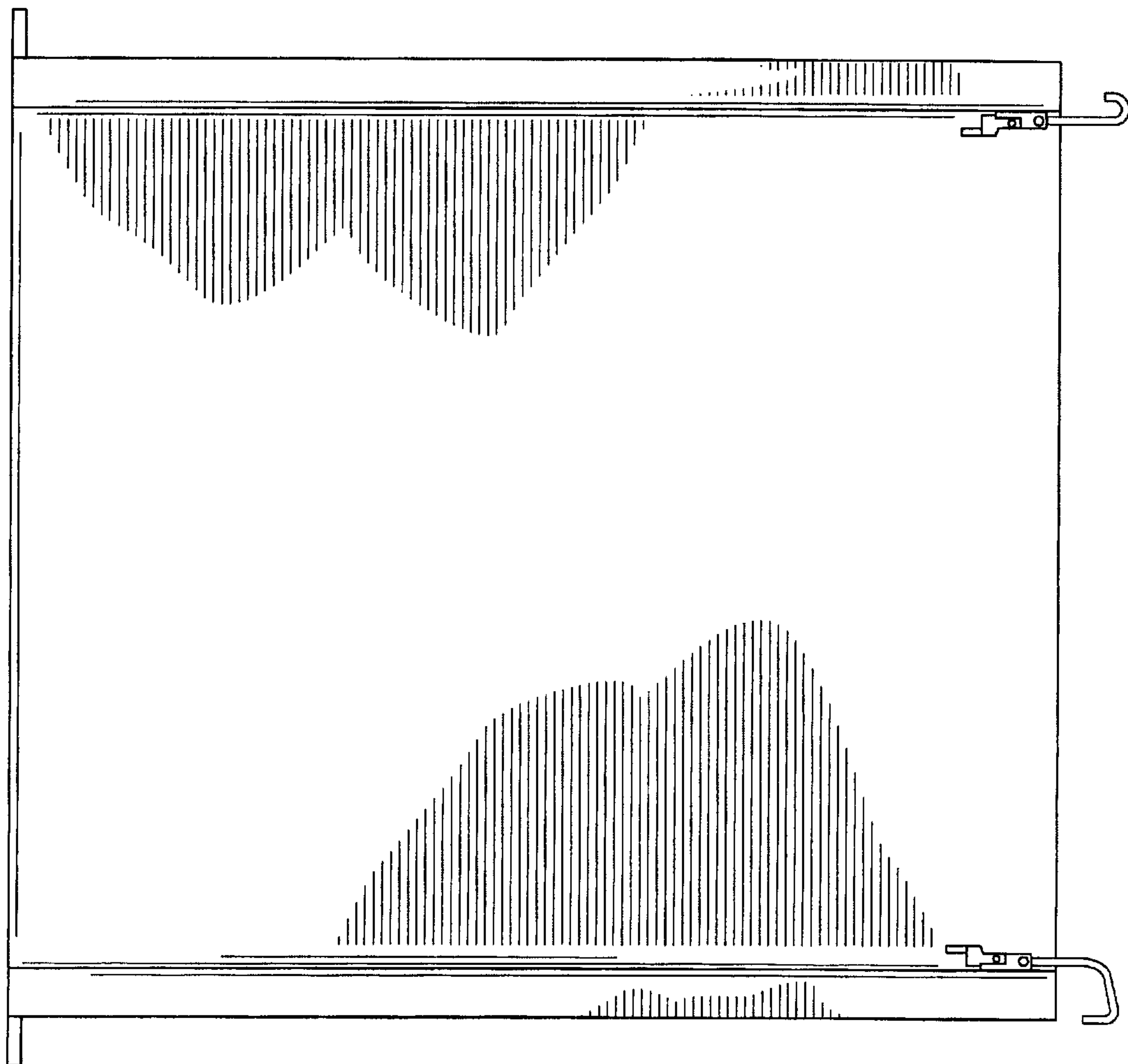


FIG. 17