



US00D541728S

(12) **United States Design Patent**
Fritsch

(10) **Patent No.:** **US D541,728 S**

(45) **Date of Patent:** **** May 1, 2007**

(54) **FOLDABLE WATER CRAFT**

(75) Inventor: **Antoine Fritsch**, Conflans Sainte Honorine (FR)

(73) Assignee: **Societe BIC**, Clichy Cedex (FR)

(**) Term: **14 Years**

(21) Appl. No.: **29/243,889**

(22) Filed: **Dec. 1, 2005**

(51) **LOC (8) Cl.** **12-06**

(52) **U.S. Cl.** **D12/300**; D12/302

(58) **Field of Classification Search** D12/300,
D12/302, 303, 316, 317; 114/61.25, 343,
114/345, 347, 348, 350, 353, 354, 363, 357;
D21/801, 809, 810

See application file for complete search history.

(56) **References Cited**

U.S. PATENT DOCUMENTS

| | | | | | | |
|-----------|---|---|---------|----------------|-------|---------|
| 4,864,960 | A | * | 9/1989 | Sansoucy | | 114/345 |
| D464,602 | S | * | 10/2002 | Metzger et al. | | D12/302 |
| D465,447 | S | * | 11/2002 | Haller | | D12/302 |
| D468,253 | S | * | 1/2003 | Haller | | D12/302 |

* cited by examiner

Primary Examiner—Holly H. Baynham

Assistant Examiner—Cynthia Chin

(74) *Attorney, Agent, or Firm*—H.T. Than Law Group; H. T. Than

(57) **CLAIM**

The ornamental design for a foldable water craft, as shown and described.

DESCRIPTION

FIG. 1 is a front, right perspective view of an ornamental design for a foldable water craft according to the present invention shown in a fully extended configuration;

FIG. 2 is a rear, right perspective view of the foldable water craft of FIG. 1;

FIG. 3 is an enlarged front elevation view of the foldable water craft of FIG. 1;

FIG. 4 is an enlarged rear elevation view of the foldable water craft of FIG. 1;

FIG. 5 is a top plan view of the foldable water craft of FIG. 1;

FIG. 6 is a bottom plan view of the foldable water craft of FIG. 1;

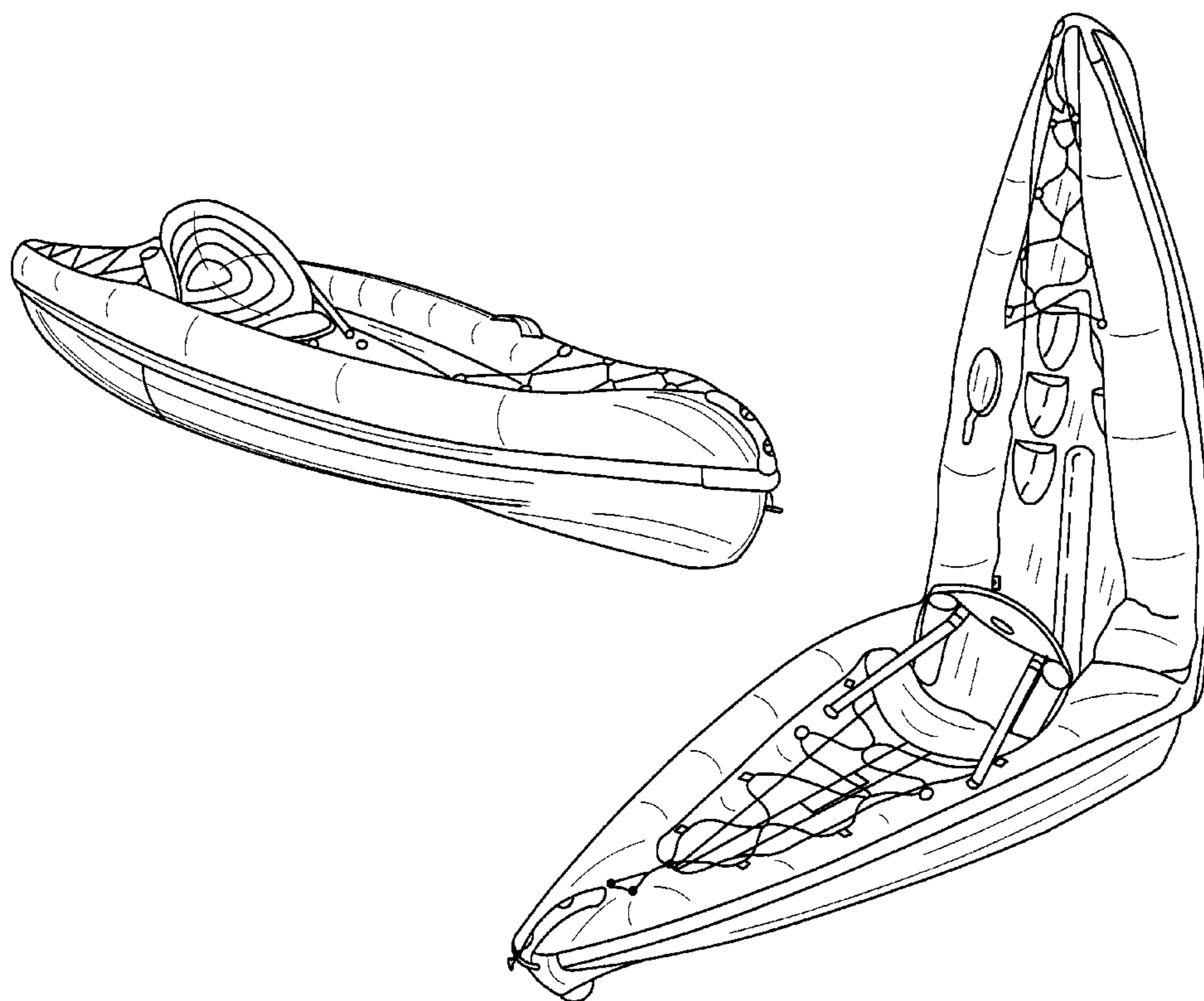
FIG. 7 is an enlarged rear, right perspective view of the foldable water of FIG. 1 shown in a partially folded configuration wherein a portion of the foldable water craft is deflated;

FIG. 8 is a reduced left side elevation view of foldable water craft of FIG. 1 shown in a fully folded configuration;

FIG. 9 is a top plan view of the fully folded foldable water craft shown in FIG. 8; and,

FIG. 10 is a bottom plan view of the fully folded foldable water craft shown in FIG. 8.

1 Claim, 5 Drawing Sheets



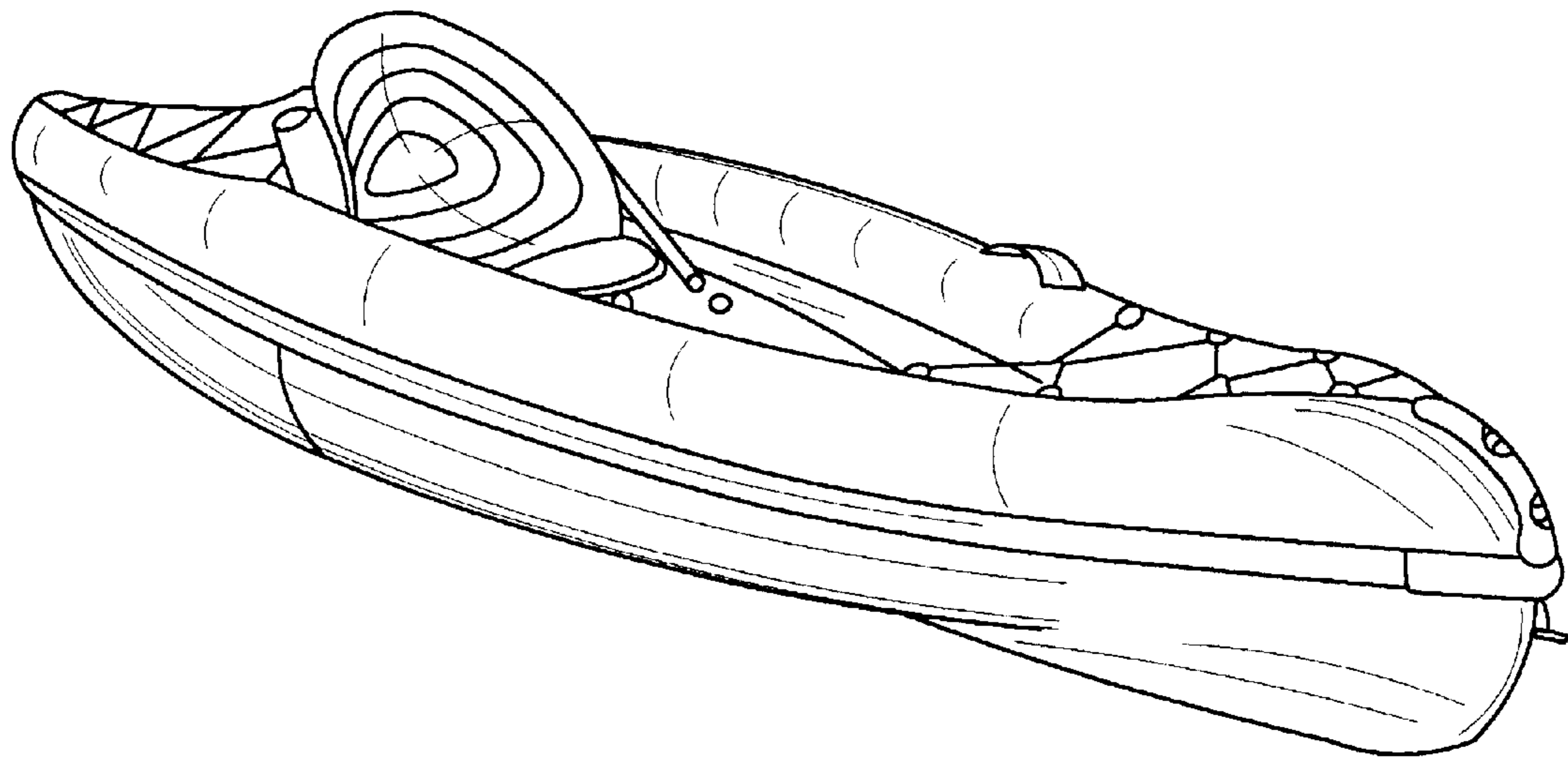


Fig. 1

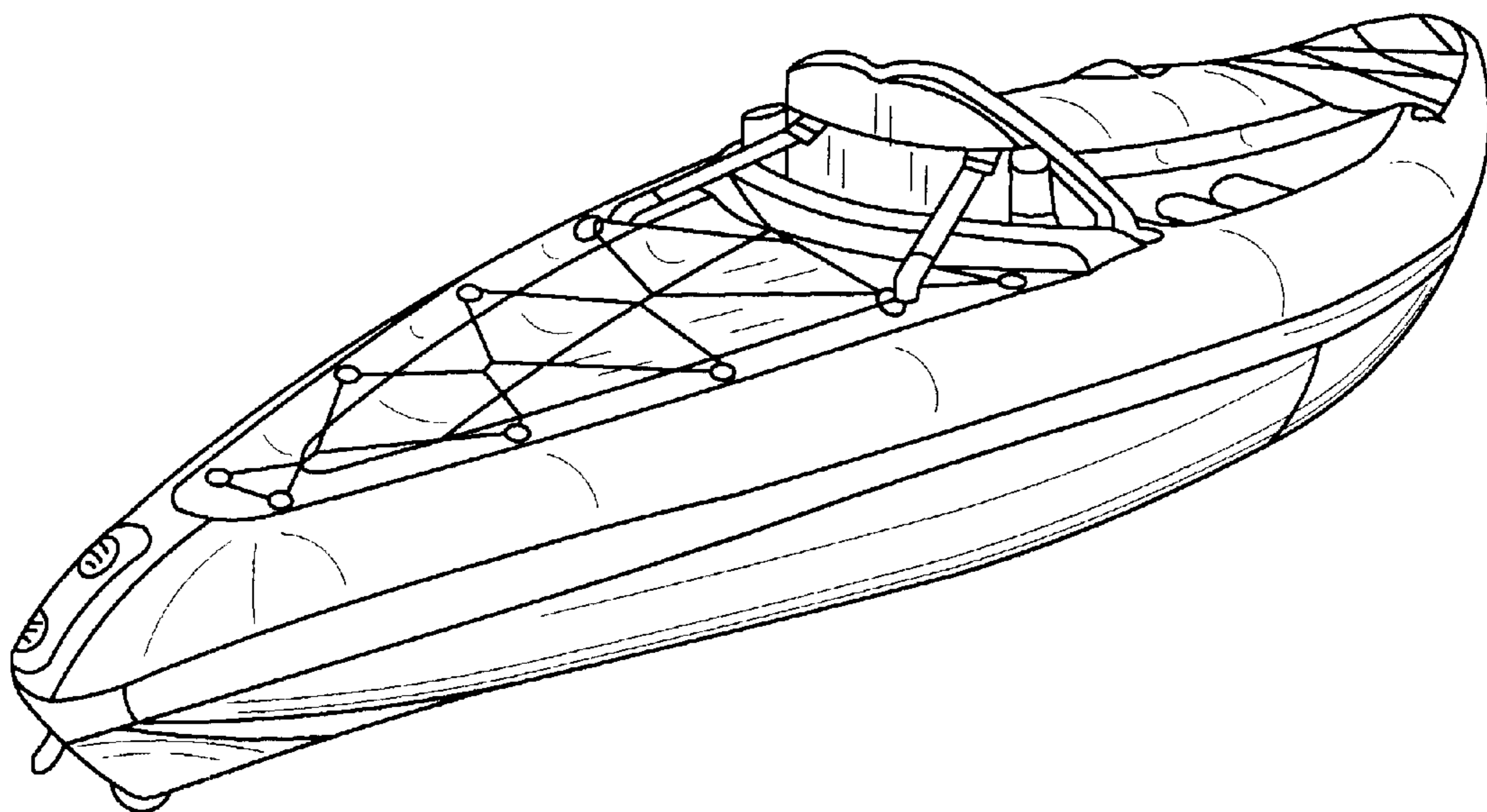


Fig. 2

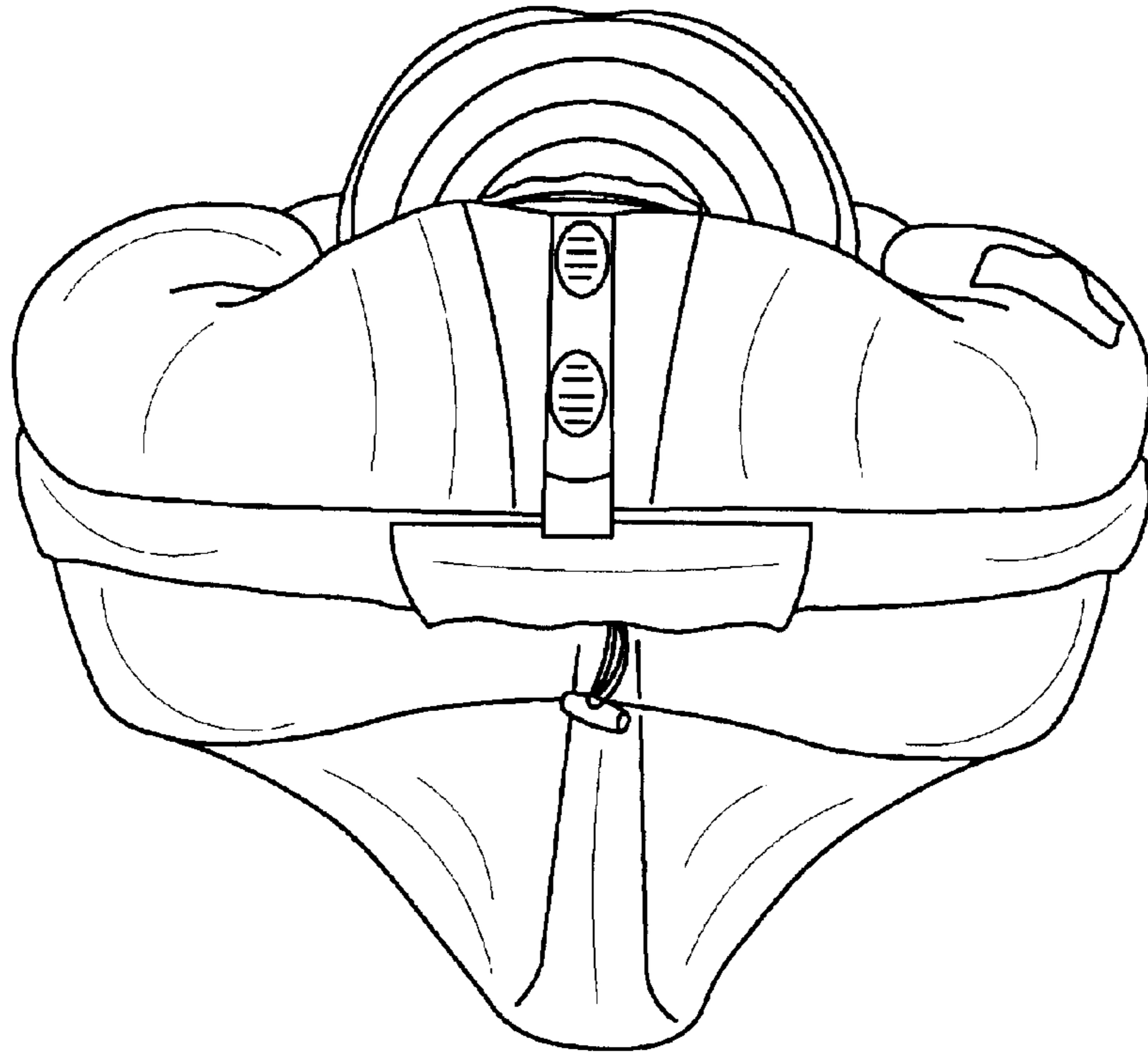


Fig. 3

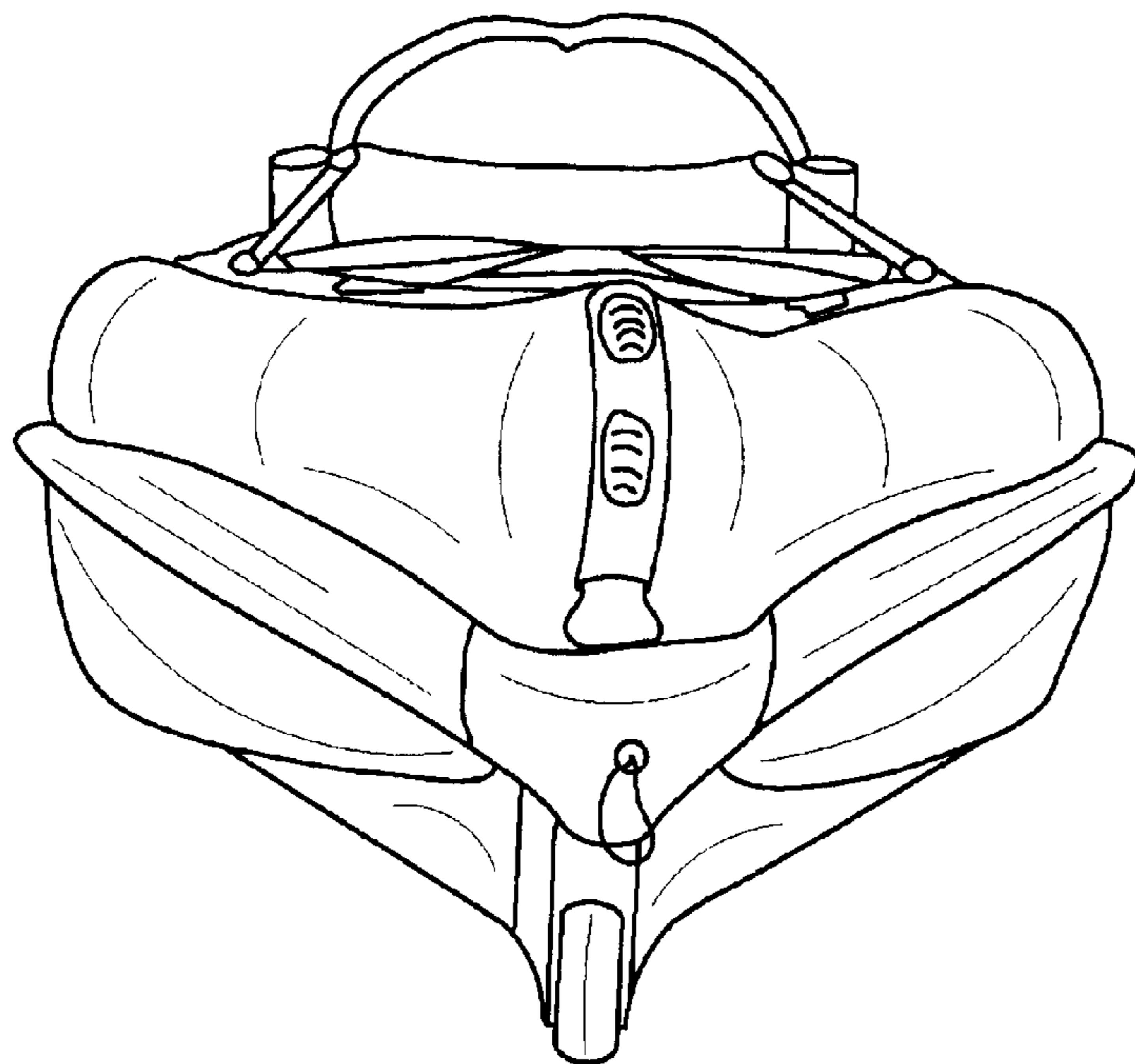


Fig. 4

Fig. 5

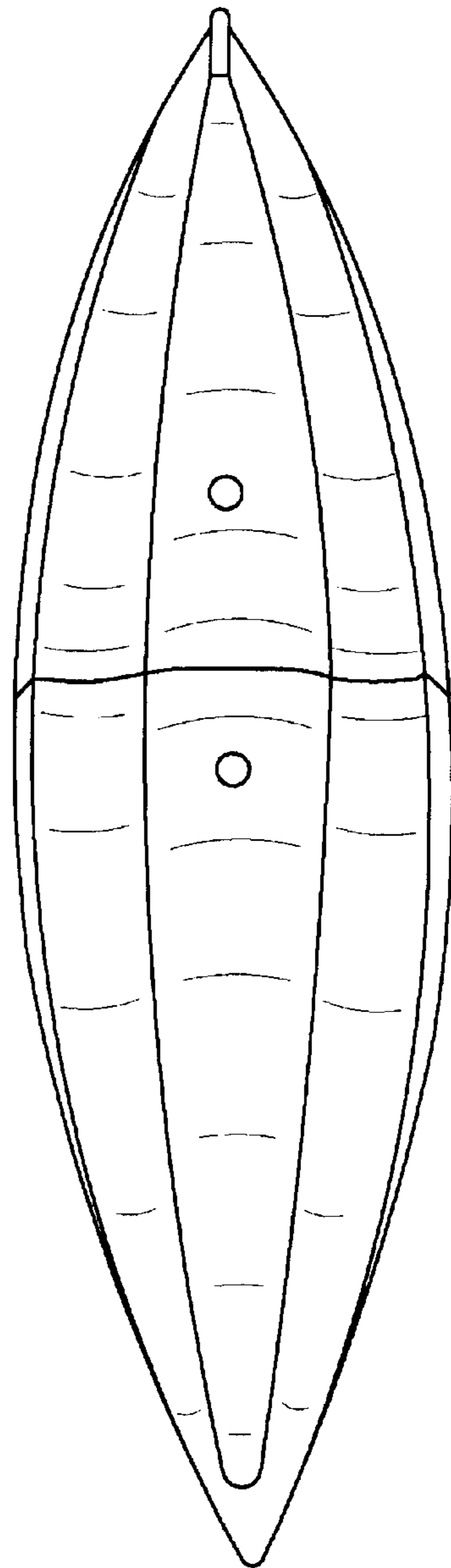
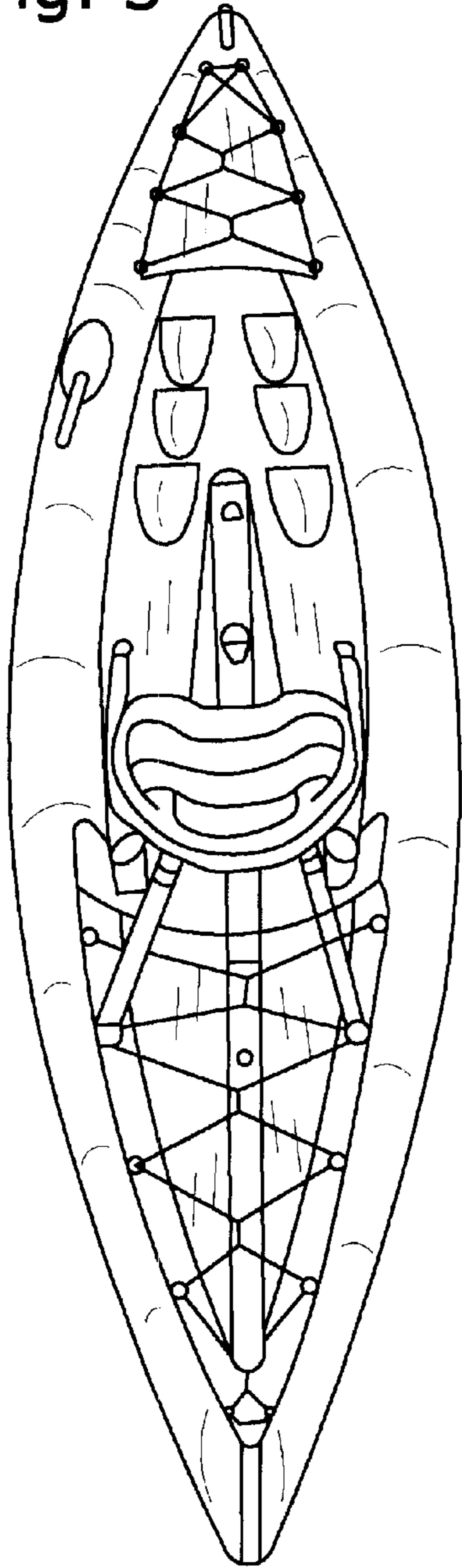


Fig. 6

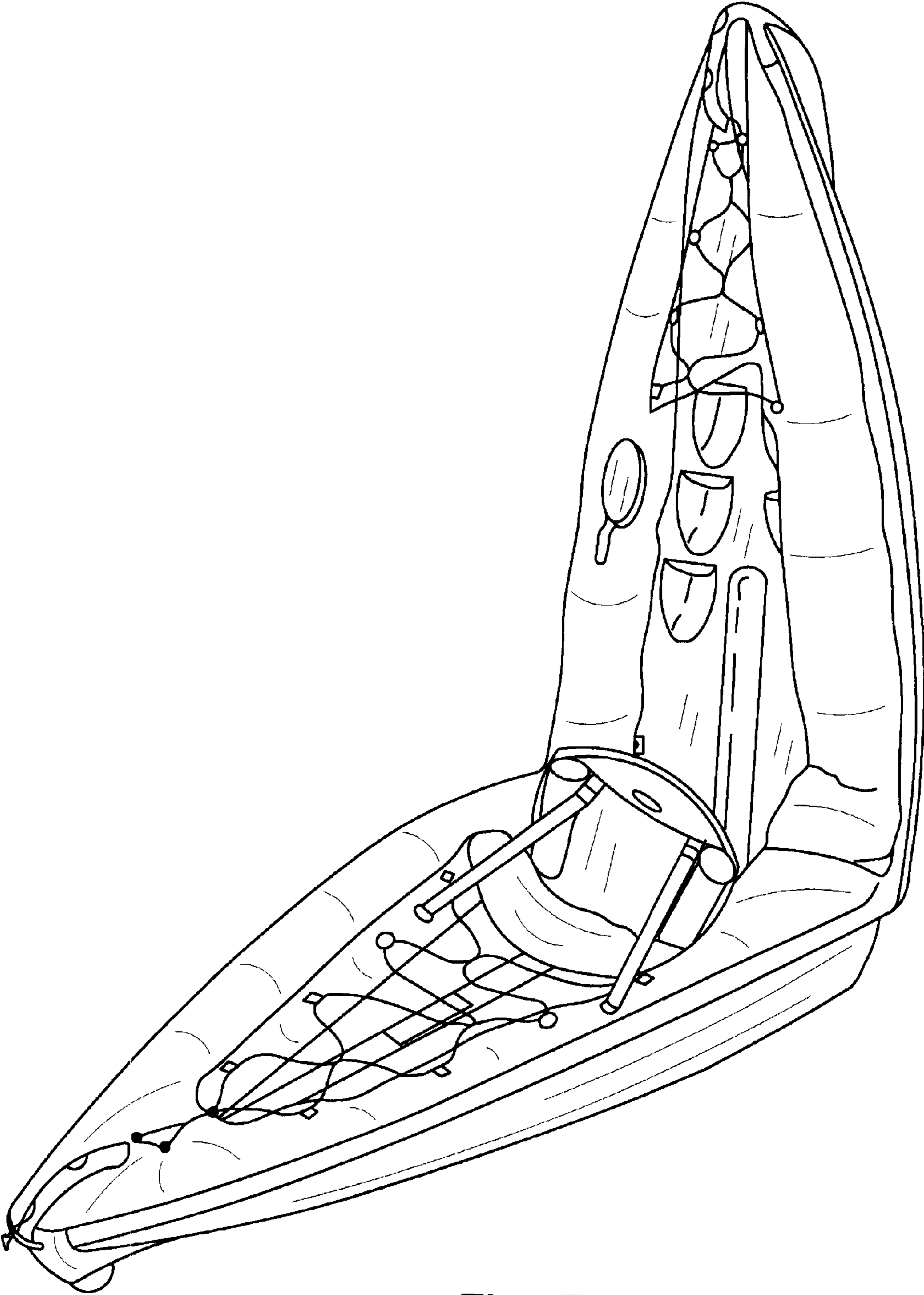


Fig. 7

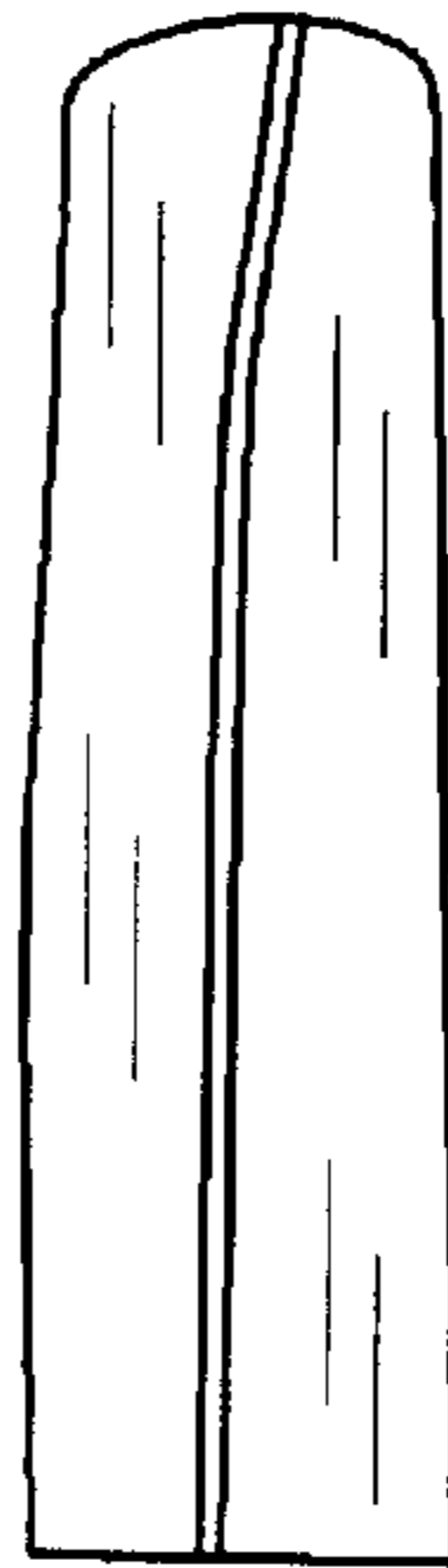


Fig. 8

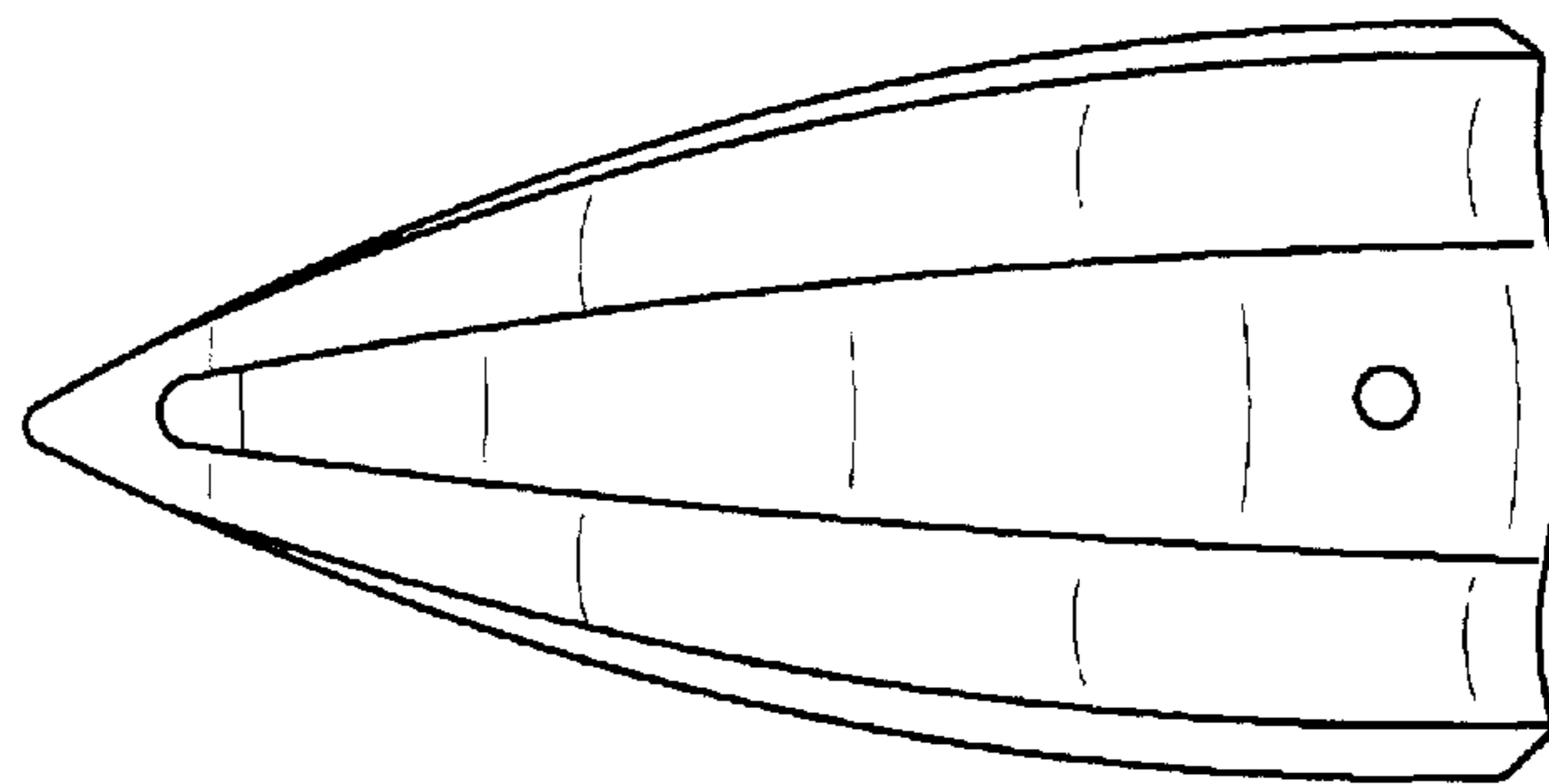


Fig. 9

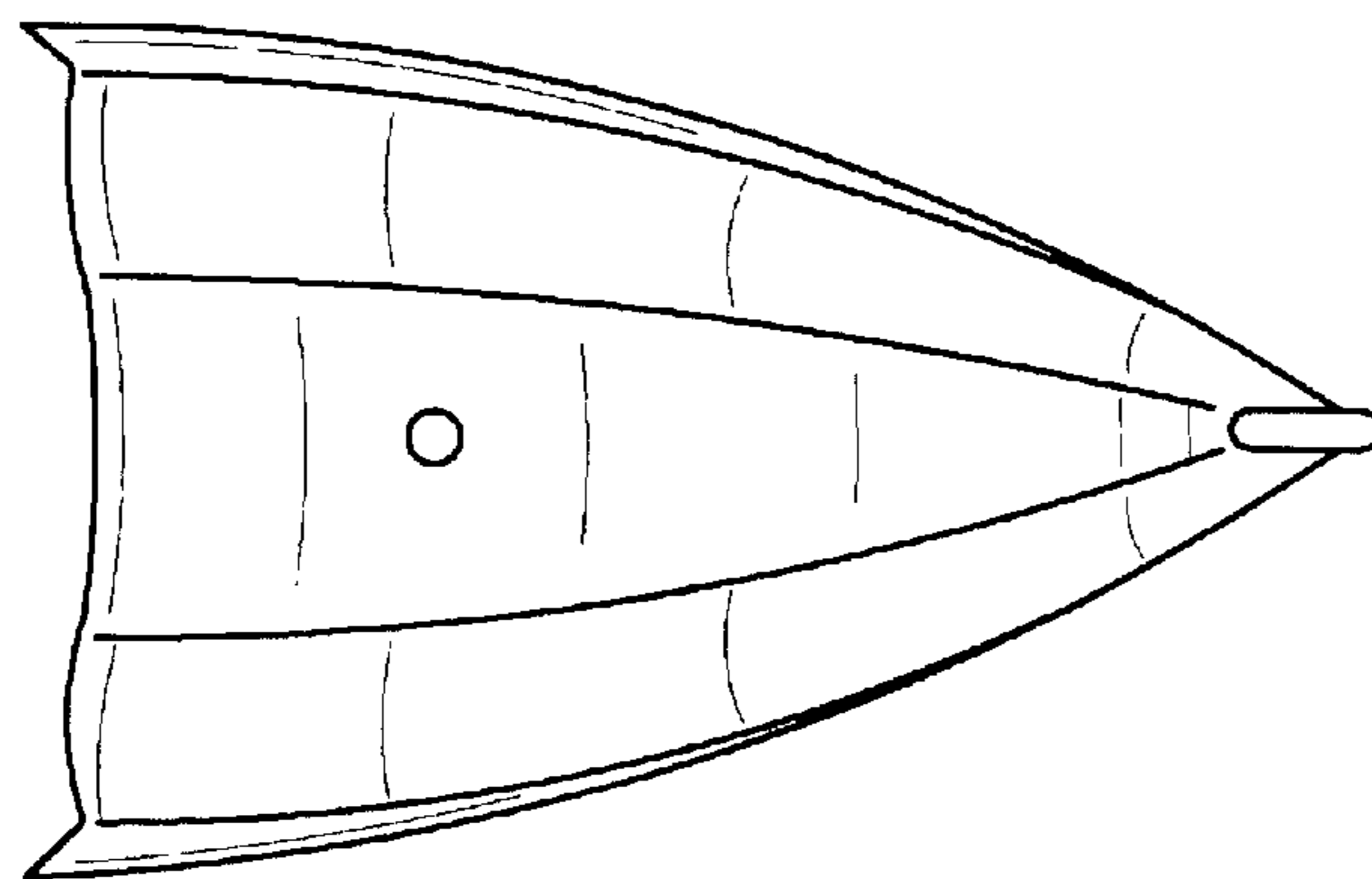


Fig. 10