



US00D541727S

(12) **United States Design Patent**
Saunders

(10) **Patent No.:** **US D541,727 S**

(45) **Date of Patent:** **** May 1, 2007**

(54) **SPINNER**

(75) **Inventor:** **Craig M. Saunders**, Rock River, OH (US)

(73) **Assignee:** **Huffy Sports Delaware, Inc.**, Miamisburg, OH (US)

(**) **Term:** **14 Years**

(21) **Appl. No.:** **29/212,147**

(22) **Filed:** **Aug. 27, 2004**

(51) **LOC (8) Cl.** **12-16**

(52) **U.S. Cl.** **D12/213**

(58) **Field of Classification Search** D12/207-213;
301/37.101, 64.101, 65

See application file for complete search history.

(56) **References Cited**

U.S. PATENT DOCUMENTS

- D476,939 S * 7/2003 Francis D12/209
- D502,905 S * 3/2005 DeBerti D12/187
- D513,697 S * 1/2006 Elwell et al. D8/322

* cited by examiner

Primary Examiner—Caron D. Veynar
Assistant Examiner—George D. Kirschbaum

(74) *Attorney, Agent, or Firm*—Michael J. Bell; Howrey LLP

(57) **CLAIM**

The ornamental design for a spinner, as shown and described.

DESCRIPTION

FIG. 1 is a perspective view of a spinner, with non-claimed subject matter appearing in broken lines in accordance with one embodiment;

FIG. 2 is a front view thereof;

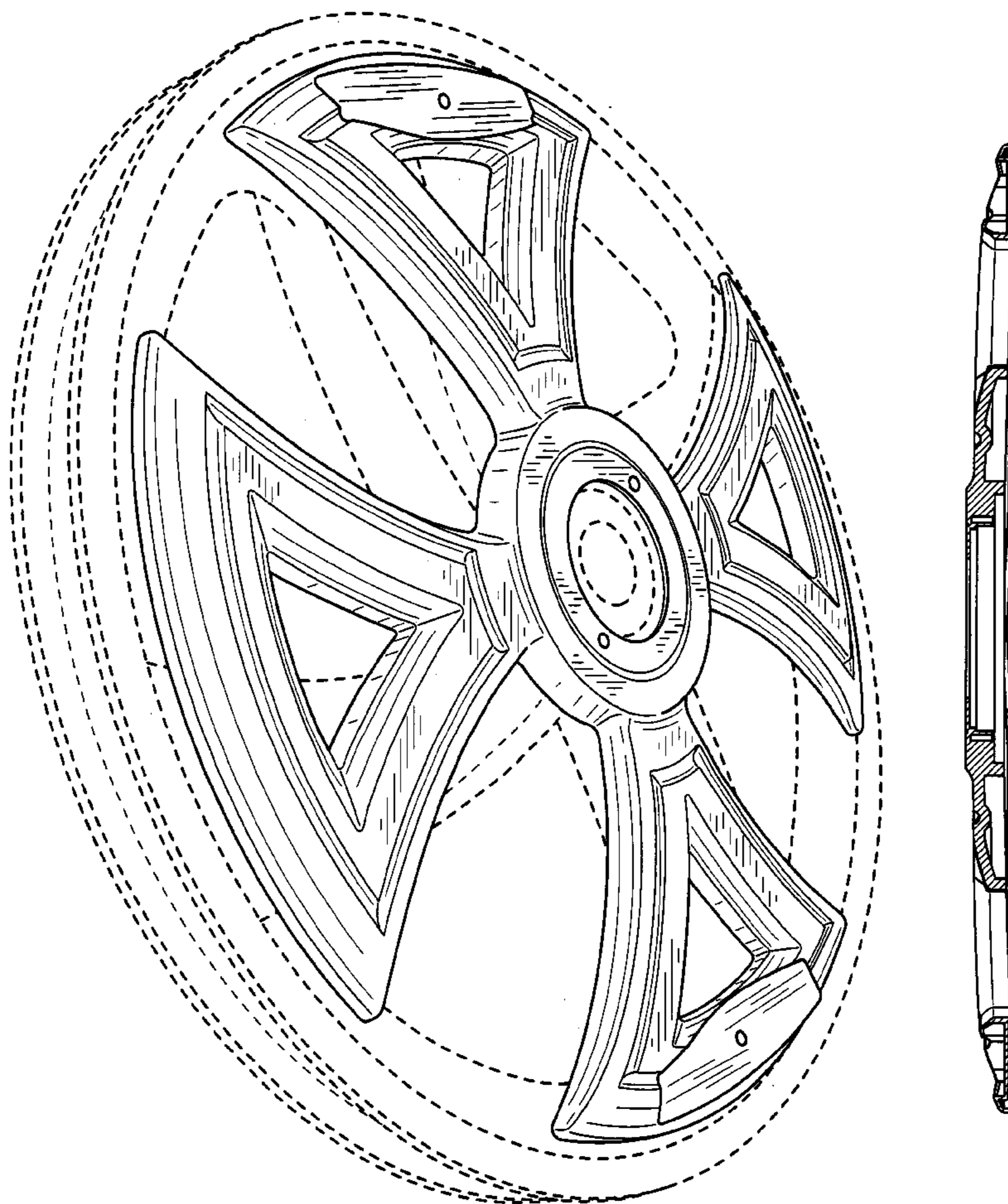
FIG. 3 is a rear view thereof;

FIG. 4 is a side elevation view thereof; and,

FIG. 5 is a cross sectional view along line 5 as indicated in FIG. 2.

The broken line showing of the wheel rim in FIG. 1 is included for the purpose of illustrating environment and forms no part of the claimed design.

1 Claim, 4 Drawing Sheets



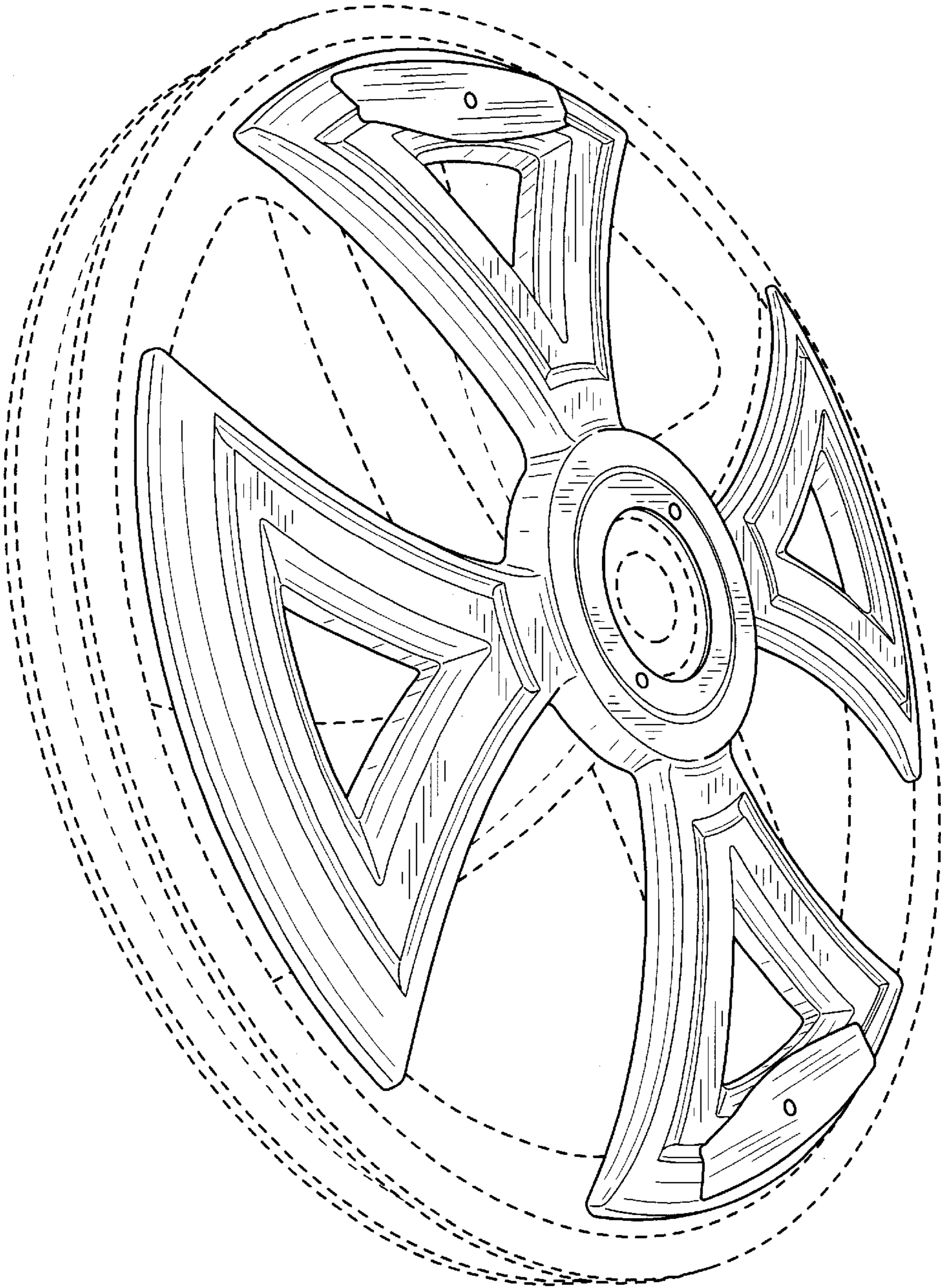


FIG. 1

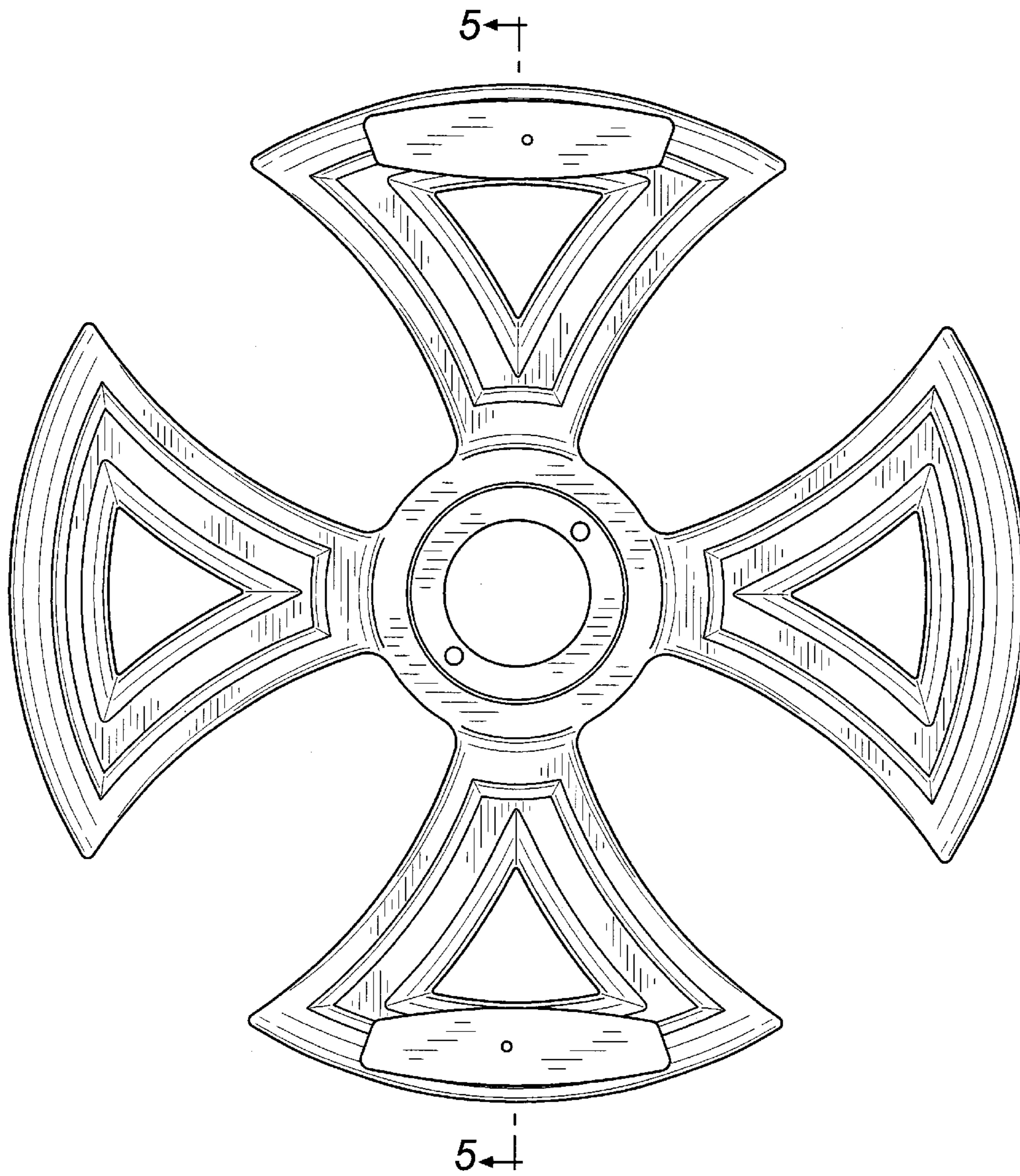


FIG. 2

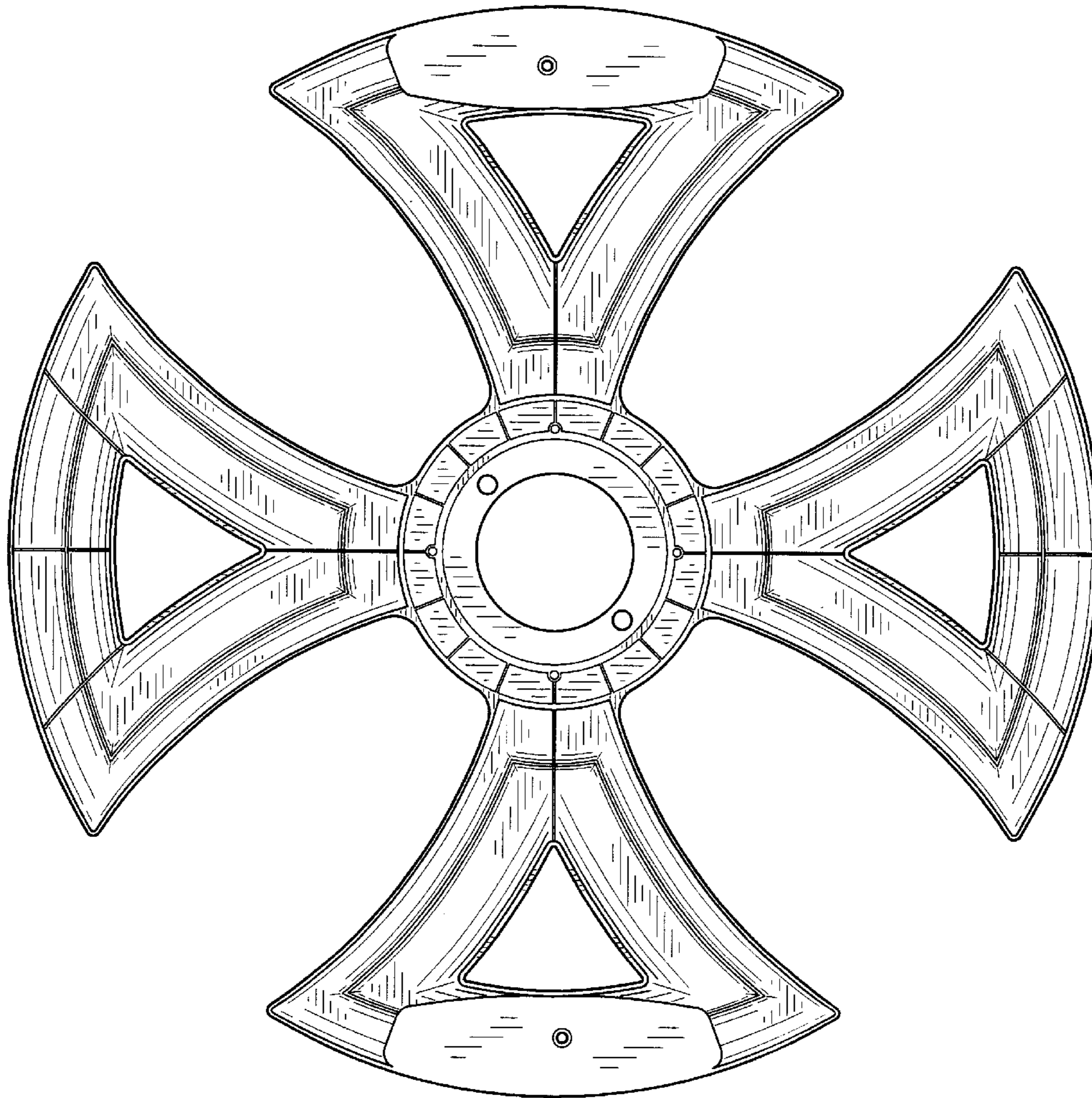


FIG. 3

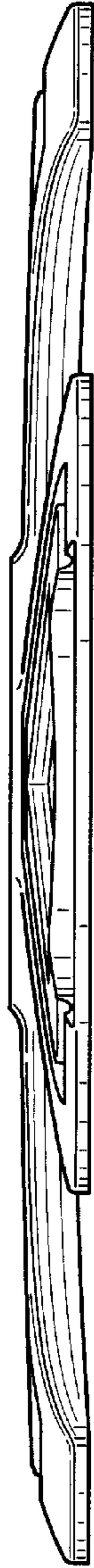


FIG. 4



FIG. 5