

US00D541724S

(12) **United States Design Patent**
Gallert

(10) **Patent No.:** **US D541,724 S**

(45) **Date of Patent:** **** May 1, 2007**

(54) **FRONT FACE OF A VEHICLE WHEEL**

(75) Inventor: **Michael Gallert**, Stuttgart (DE)

(73) Assignee: **Dr. Ing. h.c.F. Porsche**
Aktiengesellschaft, Stuttgart (DE)

(**) Term: **14 Years**

(21) Appl. No.: **29/266,611**

(22) Filed: **Sep. 26, 2006**

(30) **Foreign Application Priority Data**

Mar. 30, 2006 (EM) 000504907-0002
Mar. 30, 2006 (EM) 000504907-0001

(51) **LOC (8) Cl.** **12-16**

(52) **U.S. Cl.** **D12/211**

(58) **Field of Classification Search** D12/204-213;
301/37.101, 64.101, 65
See application file for complete search history.

(56) **References Cited**

U.S. PATENT DOCUMENTS

D421,953 S * 3/2000 Sims et al. D12/211
D432,071 S * 10/2000 Brown D12/211
D447,107 S * 8/2001 Kuribayashi D12/211
D471,504 S * 3/2003 Laengerer D12/211
D479,178 S * 9/2003 Lai D12/211

D499,686 S * 12/2004 Song D12/211
D500,005 S * 12/2004 van Hooydonk D12/211
D516,489 S * 3/2006 Alonso D12/211
D516,991 S * 3/2006 Guevara D12/211
D524,218 S * 7/2006 Madden D12/211
D526,947 S * 8/2006 Kim D12/209
D526,948 S * 8/2006 Truebsbach D12/211
D527,330 S * 8/2006 Madden D12/211

* cited by examiner

Primary Examiner—Stacia Cadmus

(74) *Attorney, Agent, or Firm*—Crowell & Moring LLP

(57) **CLAIM**

The ornamental design for a front face of a vehicle wheel, as shown and described.

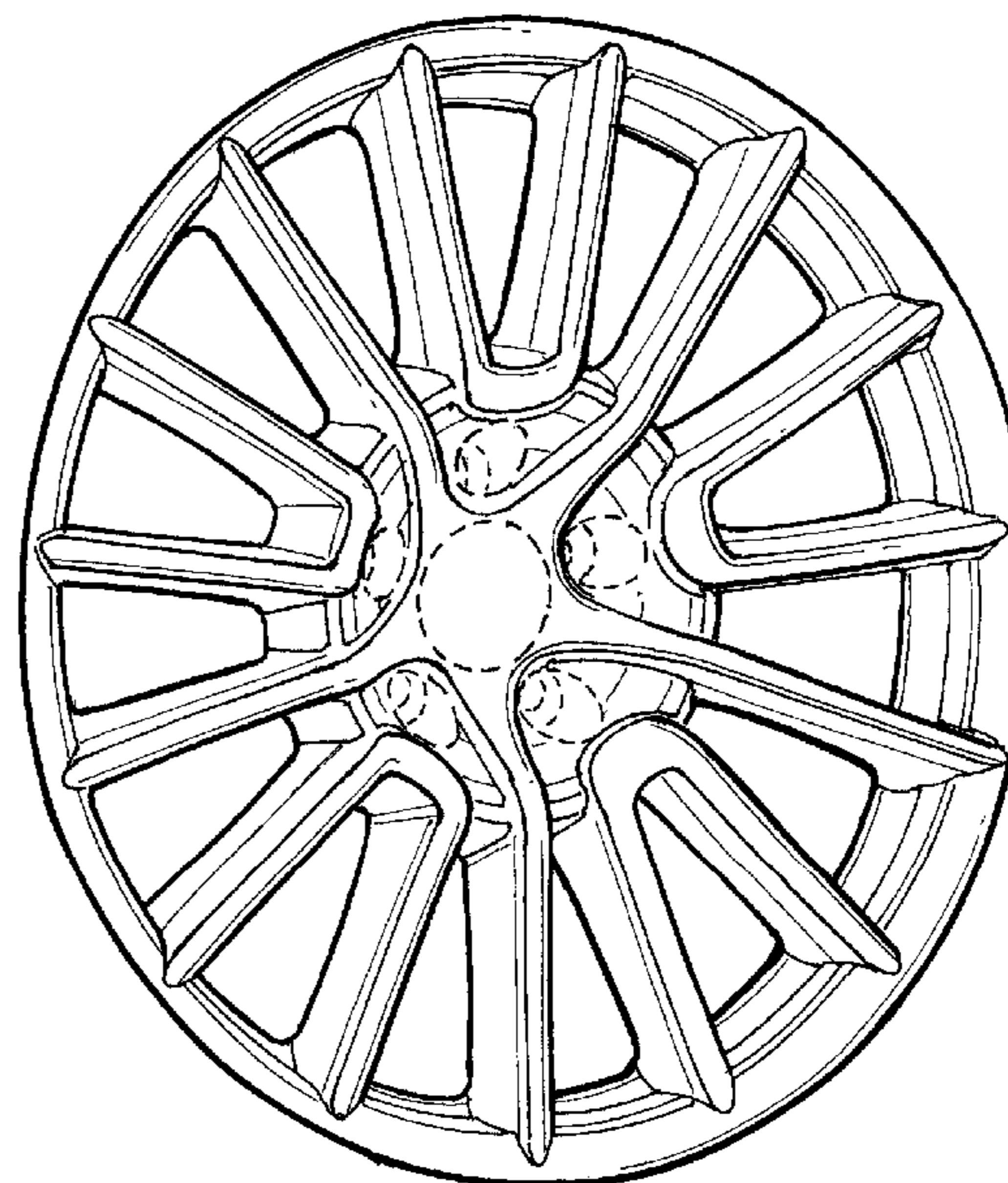
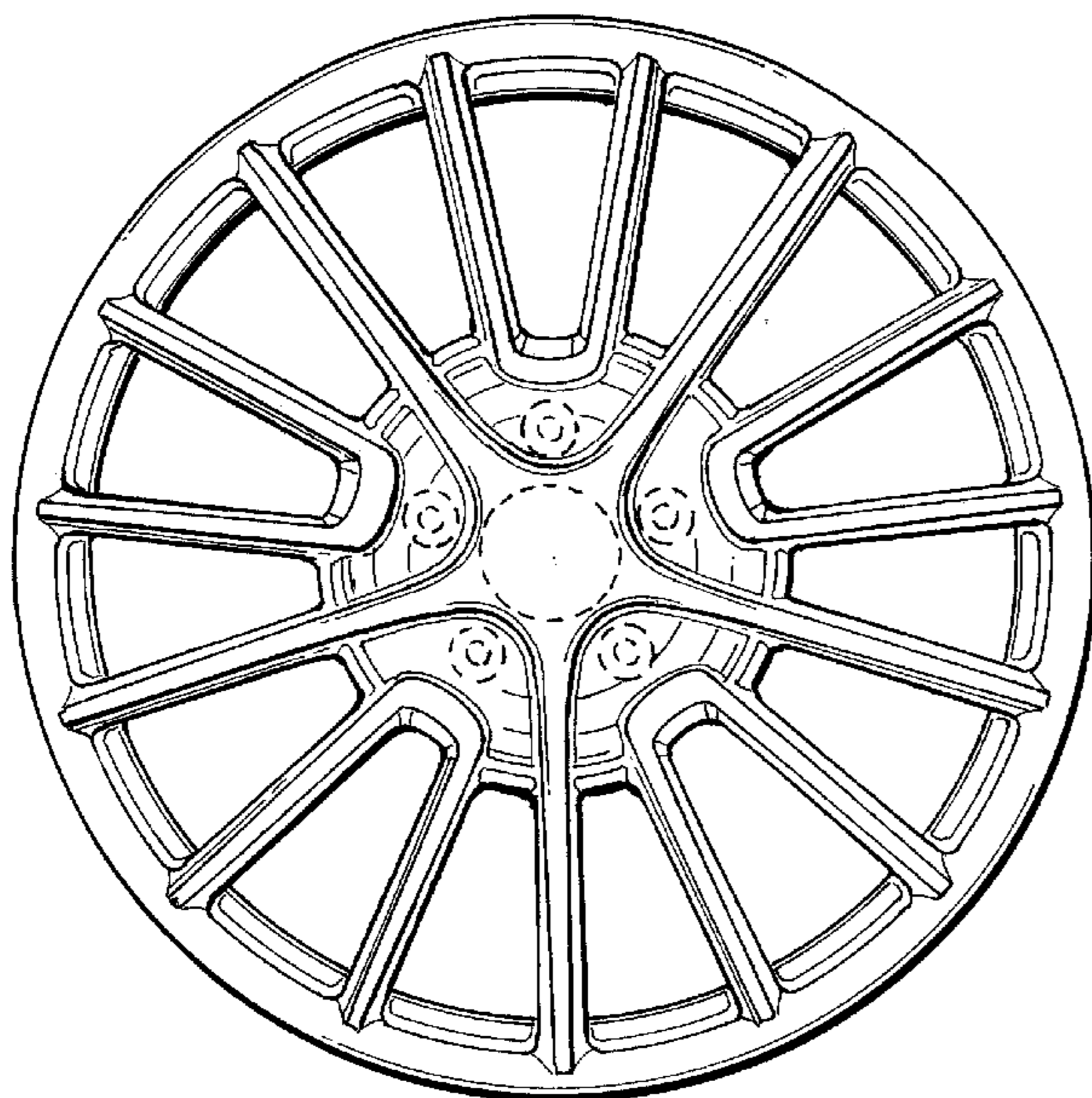
DESCRIPTION

FIG. 1 is a front view of a first embodiment of a front face of a vehicle wheel according to my novel design; and FIG. 2 is a perspective view thereof.

FIG. 3 is a front view of a second embodiment of the front face of a vehicle wheel according to my novel design; and, FIG. 4 is a perspective view thereof.

The broken lines are for illustrative purposes only and form no part of the claimed design. Also enclosed is a set of photographs of an embodiment of the design.

1 Claim, 2 Drawing Sheets



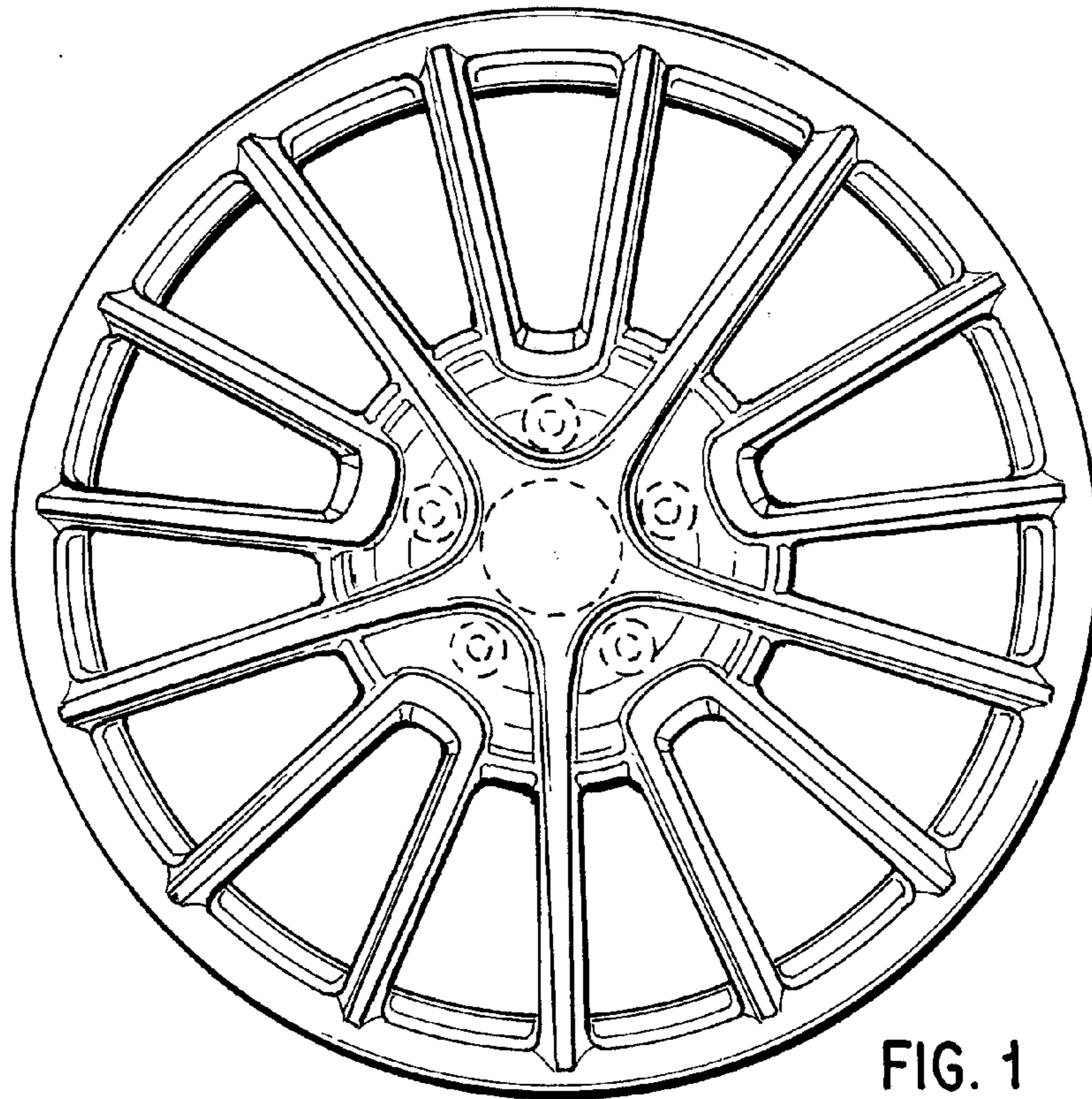


FIG. 1

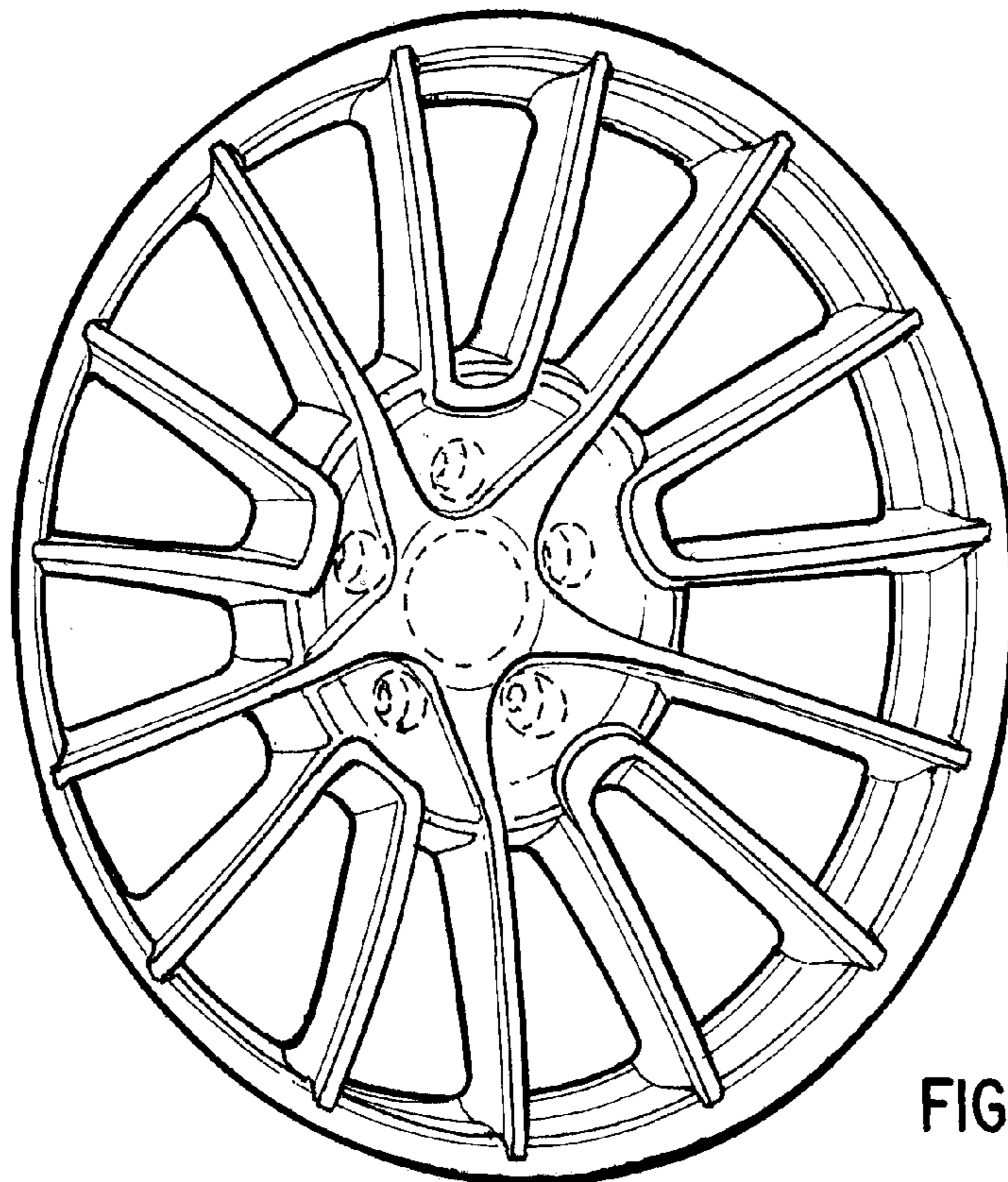


FIG. 2

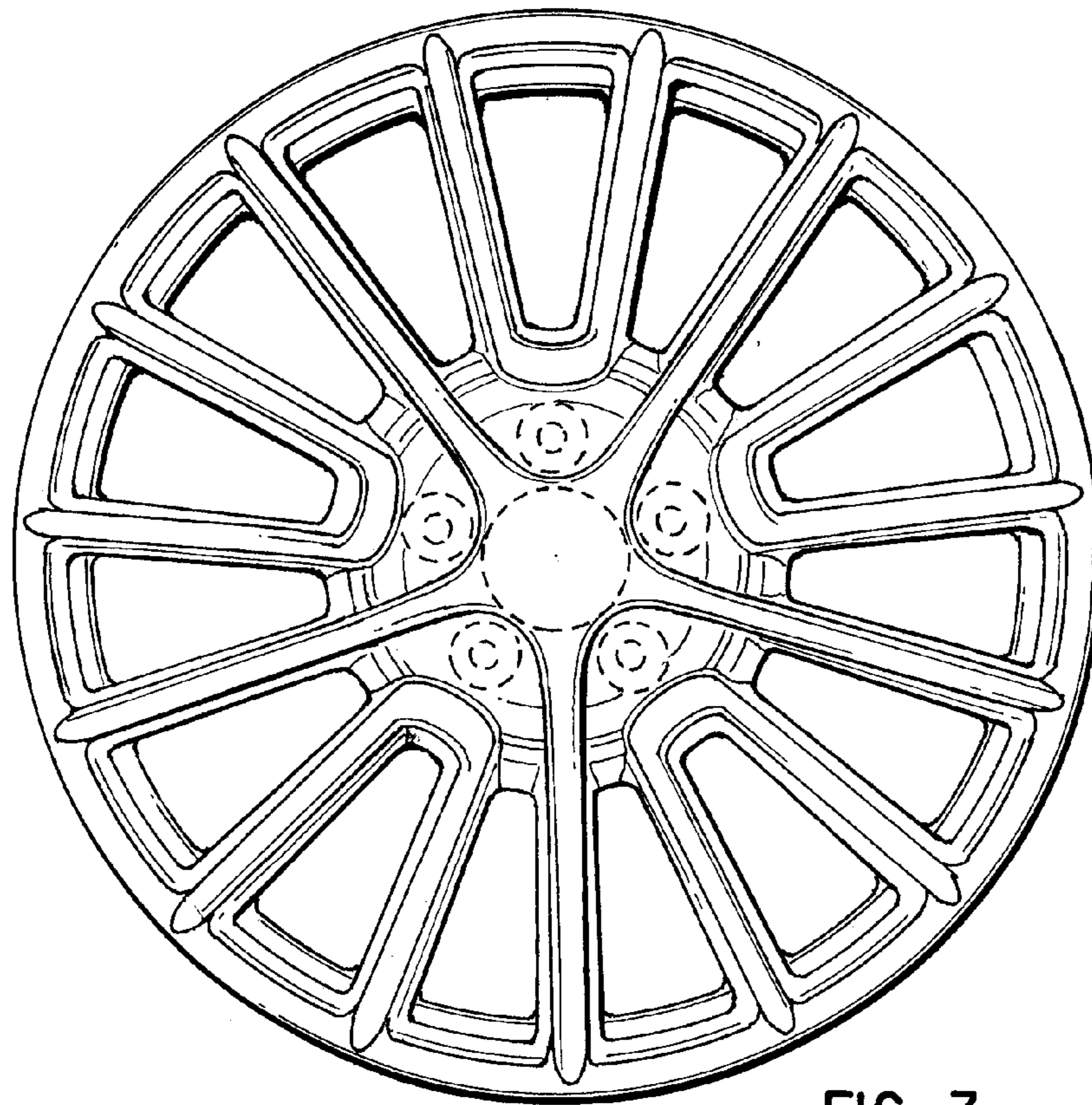


FIG. 3

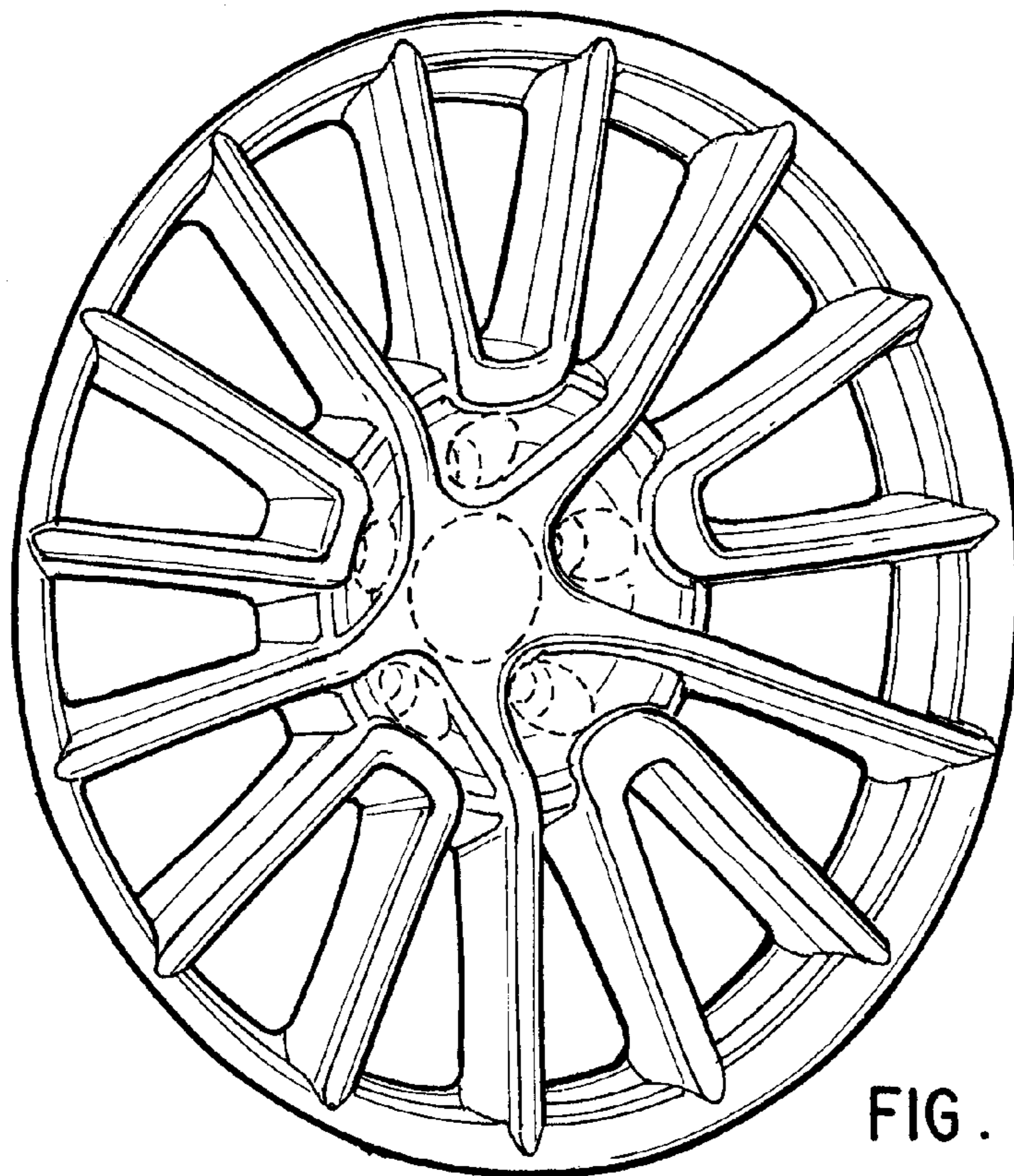


FIG. 4