

US00D541715S

(12) **United States Design Patent**
Ishizuka

(10) **Patent No.:** **US D541,715 S**

(45) **Date of Patent:** **** May 1, 2007**

(54) **BUMPER FOR VEHICLE**

D515,475 S * 2/2006 Harada et al. D12/169
D516,967 S * 3/2006 Tomida et al. D12/169

(75) Inventor: **Kouichi Ishizuka**, Ebina (JP)

* cited by examiner

(73) Assignee: **Nissan Motor Co., Ltd.**, Yokohama-shi (JP)

Primary Examiner—Melody N. Brown

(**) Term: **14 Years**

(74) *Attorney, Agent, or Firm*—Foley & Lardner, LLP

(21) Appl. No.: **29/257,144**

(57) **CLAIM**

(22) Filed: **Mar. 30, 2006**

The ornamental design for a bumper for vehicle, as shown and described.

(30) **Foreign Application Priority Data**

DESCRIPTION

Mar. 1, 2006 (JP) D2006-005110

FIG. 1 is a perspective view of a bumper for vehicle;

(51) **LOC (8) Cl.** **12-16**

FIG. 2 is a front view thereof;

(52) **U.S. Cl.** **D12/169**

FIG. 3 is a rear view thereof;

(58) **Field of Classification Search** D12/90-92,
D12/86, 169, 196, 163; 296/180.1, 180.2;
293/102, 113, 115, 117, 120

FIG. 4 is a top plan view thereof;

See application file for complete search history.

FIG. 5 is a bottom view thereof;

FIG. 6 is a left side view thereof; and,

FIG. 7 is a right side view thereof.

(56) **References Cited**

U.S. PATENT DOCUMENTS

D511,724 S * 11/2005 Sugimoto D12/169

1 Claim, 3 Drawing Sheets

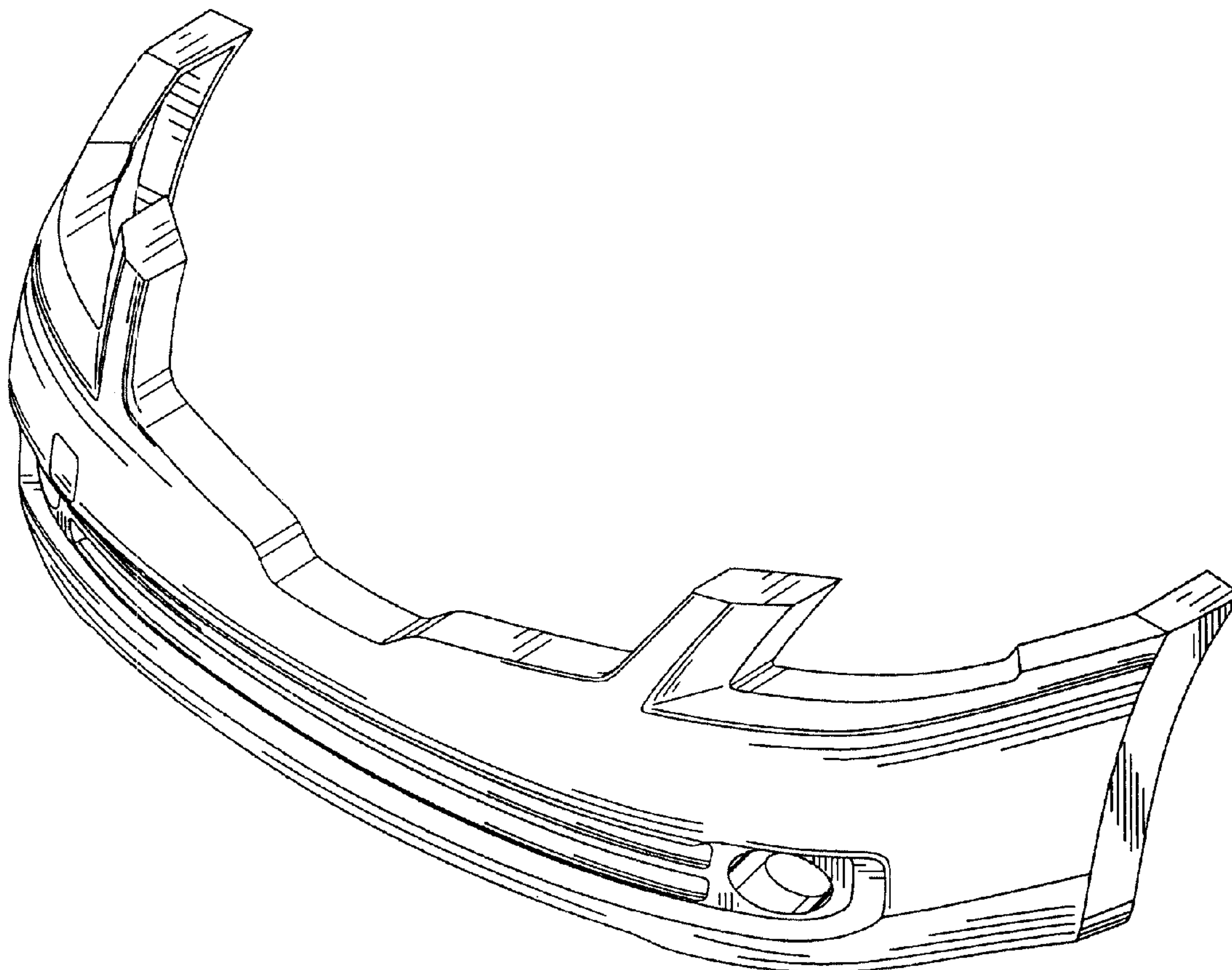


Fig.1

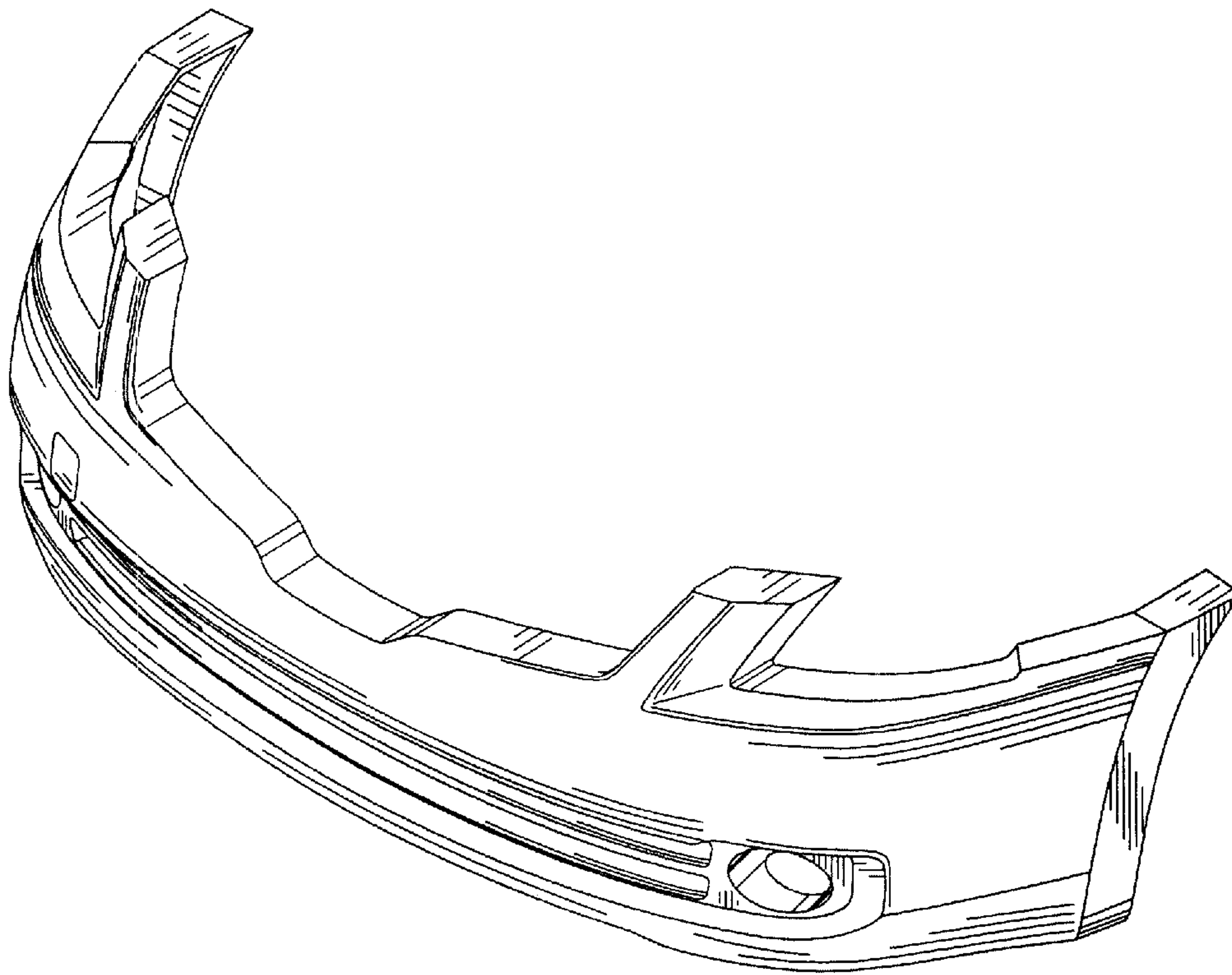


Fig.2

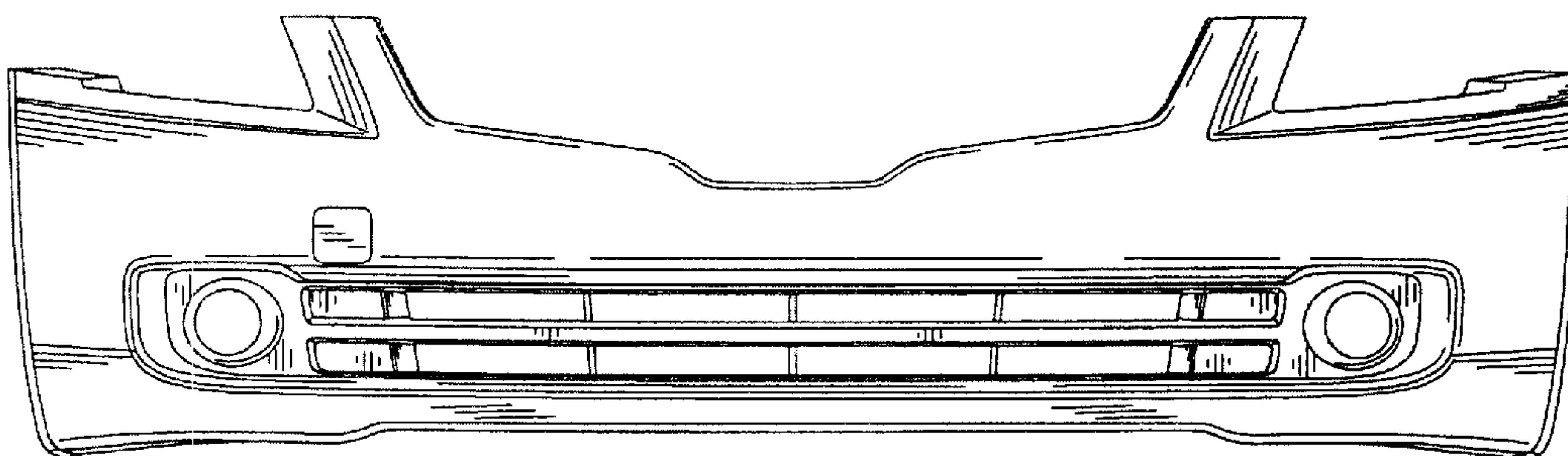


Fig.3

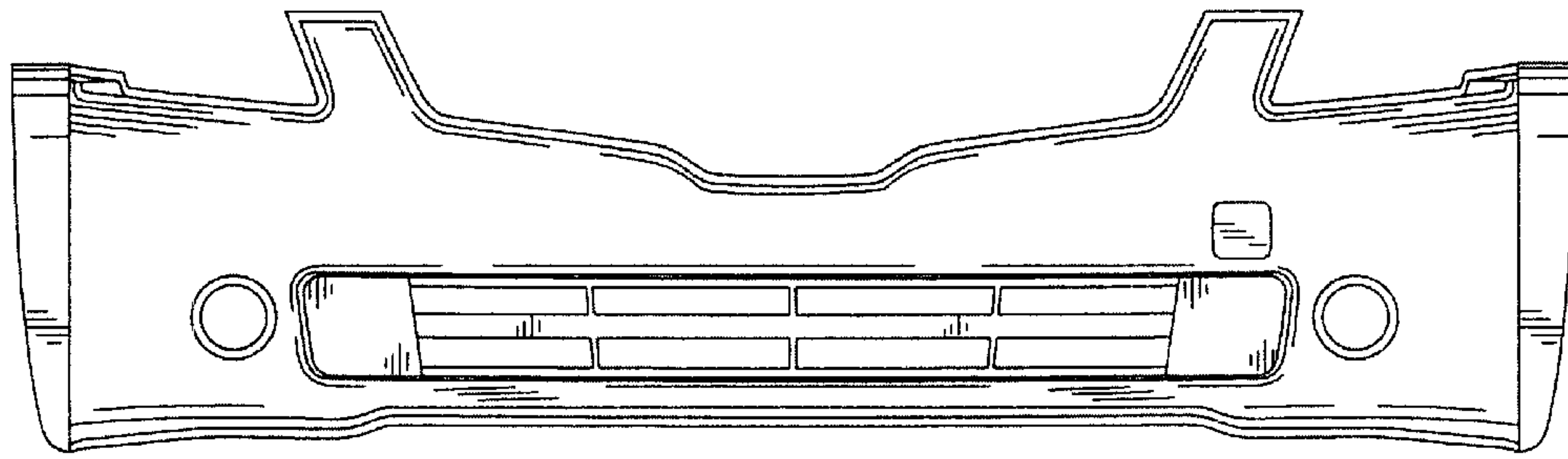


Fig.4

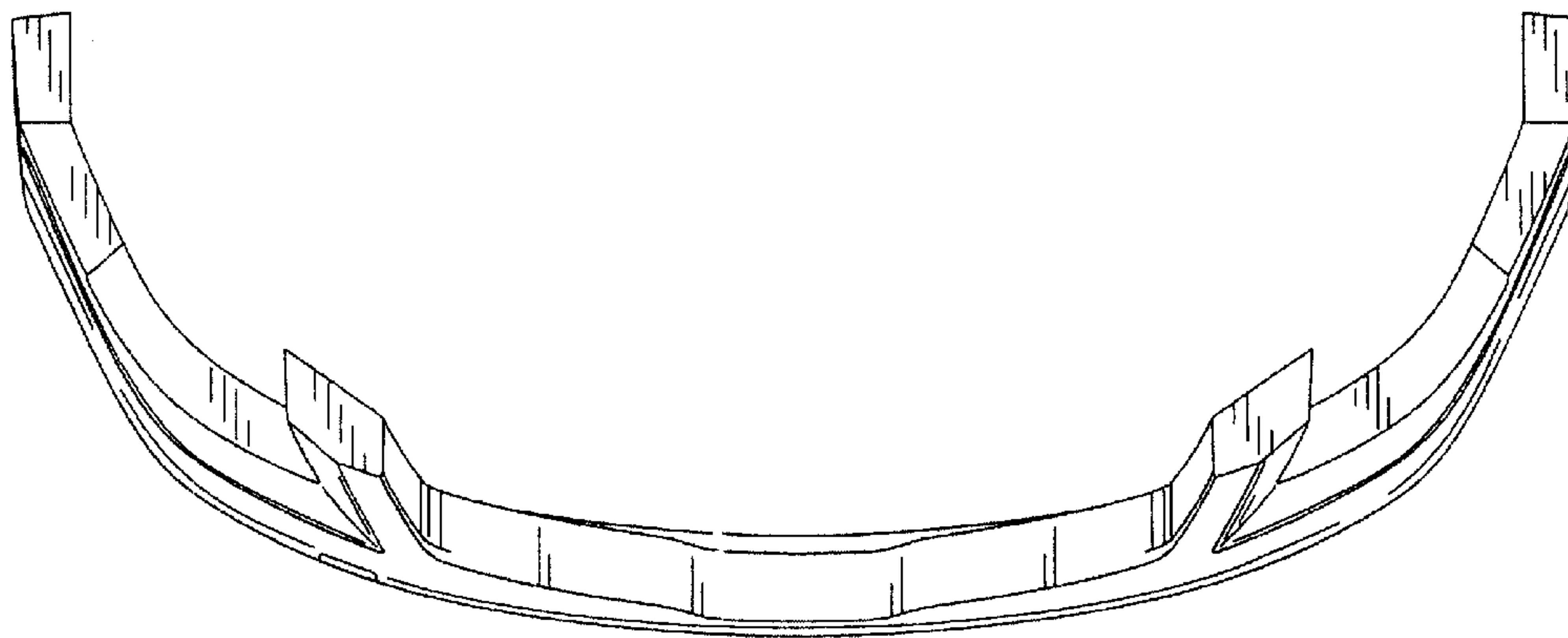


Fig.5

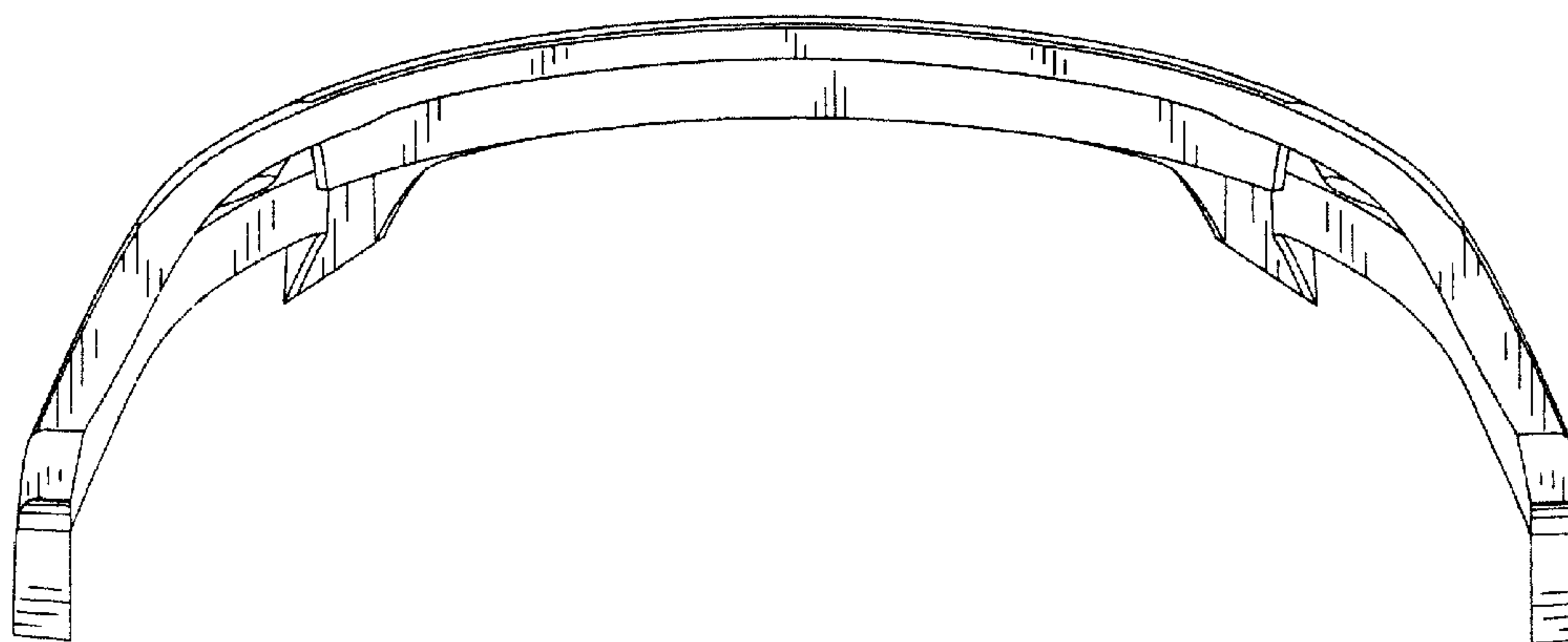


Fig.6

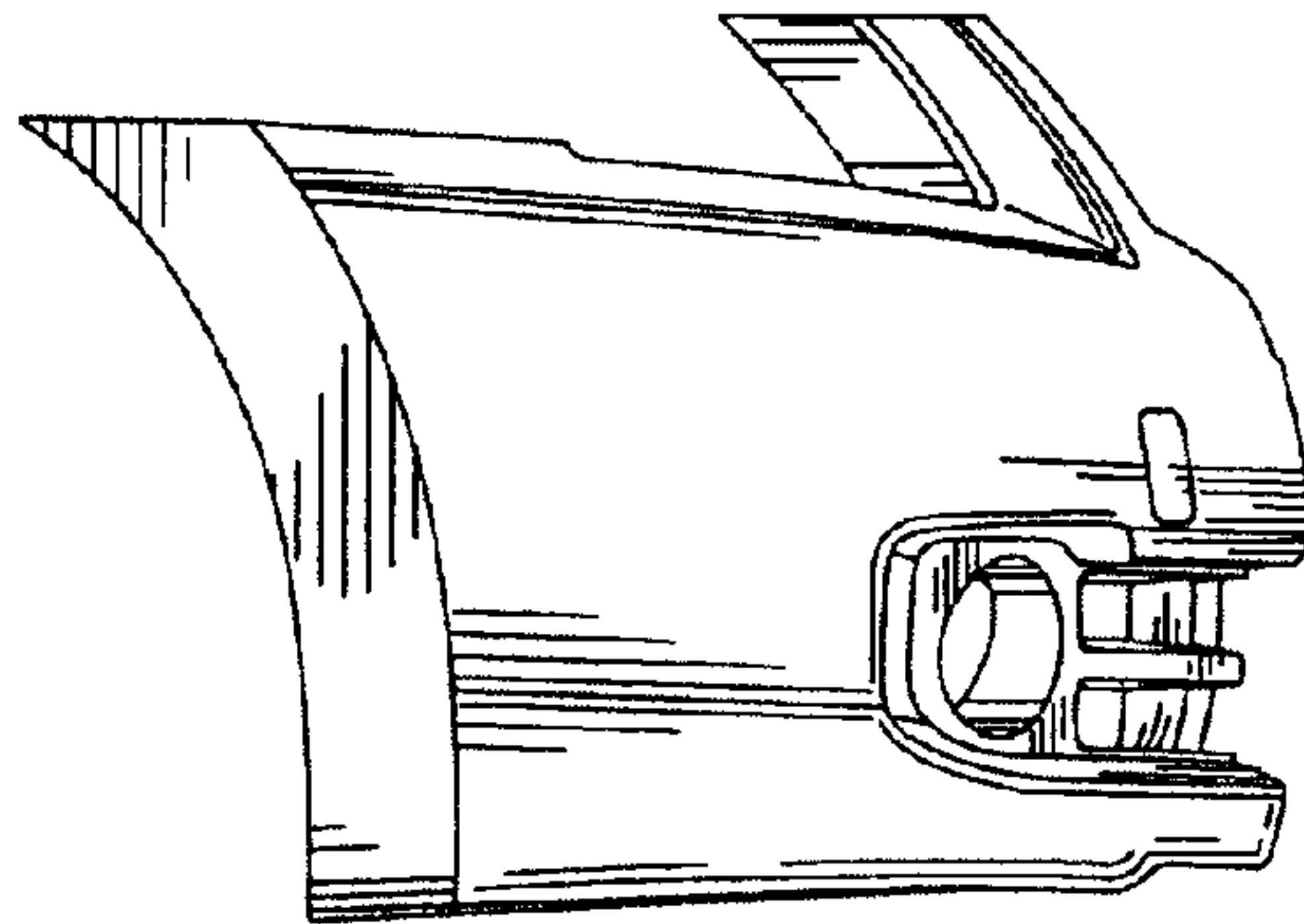


Fig.7

