

US00D541712S

(12) **United States Design Patent**
Golden et al.

(10) **Patent No.:** **US D541,712 S**

(45) **Date of Patent:** **** May 1, 2007**

(54) **AUTOMOBILE LOWER BUMPER**

D525,180 S * 7/2006 Konaka D12/169

(75) Inventors: **Edward Golden**, Pinckney, MI (US);
Darrell Behmer, Novi, MI (US);
Melvin Betancourt, Shelby Township,
MI (US); **Solomon Song**, Farmington
Hills, MI (US); **Shawn Wehrly**, Royal
Oak, MI (US)

OTHER PUBLICATIONS

Car And Driver.com, Auto Show: *2004 North American International Auto Show*, Jan. 2004, http://www.caranddriver.com/article.asp?intAsvPageCurrent=9§ion_id=31&article_id=7671.

(Continued)

(73) Assignee: **Ford Global Technologies, LLC**,
Dearborn, MI (US)

Primary Examiner—Melody N. Brown

(74) *Attorney, Agent, or Firm*—Frederick Owens

(**) Term: **14 Years**

(57) **CLAIM**

(21) Appl. No.: **29/241,397**

The ornamental design for an automobile lower bumper, as shown and described.

(22) Filed: **Oct. 27, 2005**

DESCRIPTION

(51) **LOC (8) Cl.** **12-16**

(52) **U.S. Cl.** **D12/169**

(58) **Field of Classification Search** D12/90-92,
D12/86, 169, 196; 296/180.1, 180.2; 293/102,
293/113, 115, 117, 120

See application file for complete search history.

FIG. 1 is a front perspective view of an automobile lower bumper attached to a vehicle, no part of the vehicle is claimed;

FIG. 2 is a perspective view of the automobile lower bumper;

FIG. 3 is a front elevational view of the automobile lower bumper;

FIG. 4 is a top plan view of the automobile lower bumper;

FIG. 5 is a left side elevational view of the automobile lower bumper (the right side view is a mirror of the left side view and is not shown); and,

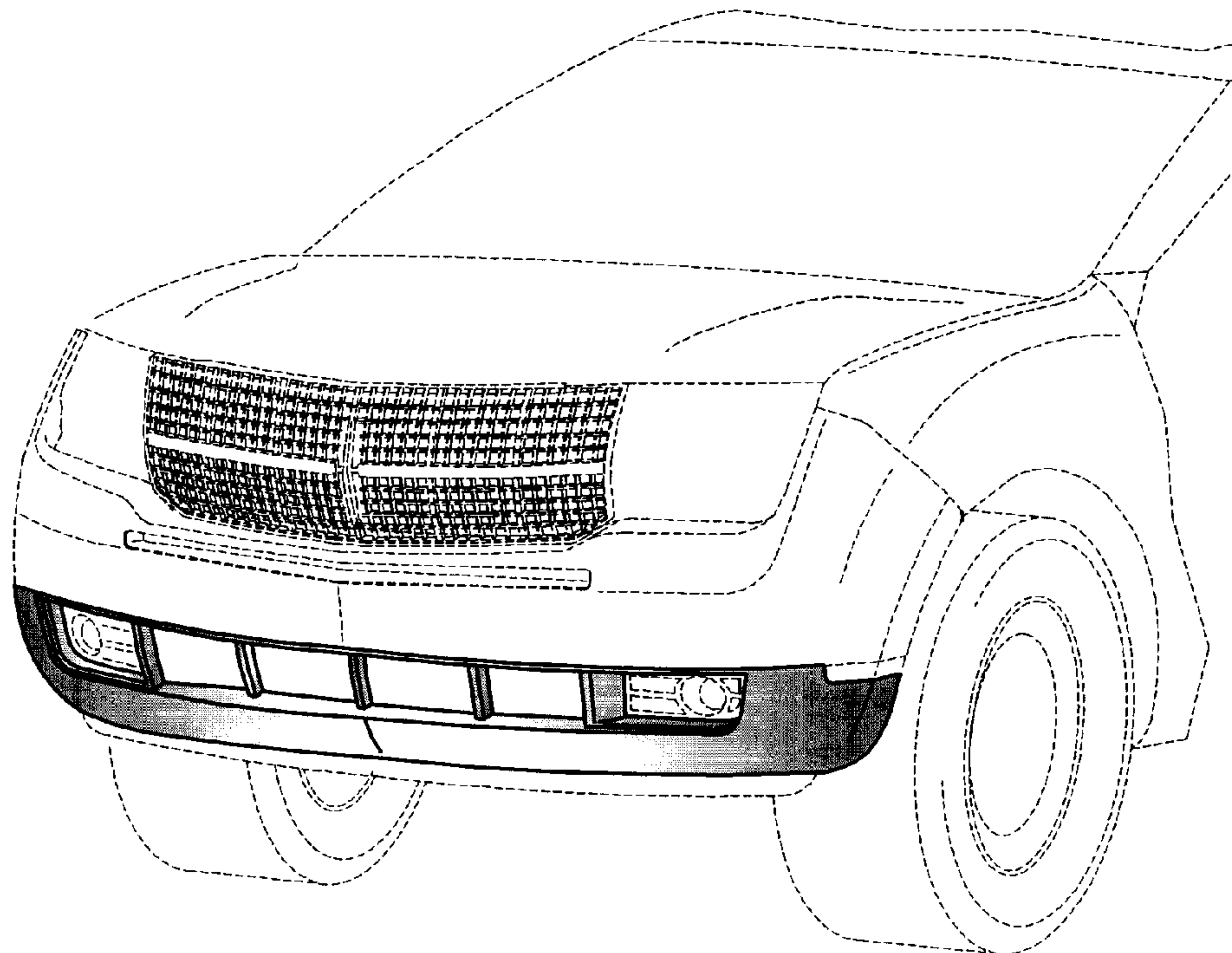
FIG. 6 is bottom plan view of the automobile lower bumper. The broken lines are for illustrative purposes only and form no part of the claimed design.

(56) **References Cited**

U.S. PATENT DOCUMENTS

| | | | | | |
|------------|---|---------|-----------------|-------|---------|
| D490,032 S | * | 5/2004 | Ikuma et al. | | D12/169 |
| D508,879 S | * | 8/2005 | Pfeiffer et al. | | D12/169 |
| D510,304 S | * | 10/2005 | Tabata et al. | | D12/169 |
| D513,213 S | * | 12/2005 | Sato | | D12/169 |
| D516,967 S | * | 3/2006 | Tomida et al. | | D12/169 |
| D517,457 S | * | 3/2006 | Horiuchi et al. | | D12/169 |
| D522,938 S | * | 6/2006 | Iwanaga | | D12/169 |

1 Claim, 6 Drawing Sheets



OTHER PUBLICATIONS

Automotive News, Lincoln: *Division searches for styling product mix*, p. 39, Jan. 5, 2004.

LA Car.com, Turning Up The Heat: *Lincoln Aviator*, Jan. 10, 2004 <http://lacar.com/modules.php?name=News&file=print&sid=185>.

AIC Autosite Online, *Cool Concept: Lincoln Aviator Concept*, Apr. 19, 2004 <http://www.aicautosite.com/Previews/concept-lincoln-aviator.asp>.

Automobile Magazine, *50 Sneak Peaks—Lincoln Aviator*, p. 65, May 2004.

Automotive News Online, Future Products—Ford: Going global: *Ford borrows platforms from Europe, Japan*, Aug. 2, 2004 <http://www.autonews.com/article.cms?articleId=49216>.

Popular Mechanics Online, *Spy Reports—Detroit, Asia And Europe*, Feb. 2005 http://www.popularmechanics.com/automotive/spy_reports/1372741.html.

Trailer Life, *Downsizing Lincoln*, vol. 65, Issue 2, ISSN: 00410780, p. 18, Feb. 1, 2005.

The Detroit News, *2007 Lincoln Aviator*, p. 3, Feb. 9, 2005.

AutoWeek.com, *2007 Lincoln Aviator*, Feb. 16, 2005 <http://forums.autoweek.com/thread.jspa?forumID=-threadID=12757&messageID=250387>.

TheCarConnection.com, *Future Cars: Ford/PAG/Mazda*, May 16, 2005 http://www.thecarconnection.com/Shoppers/Future_Cars/Ford.S283.A8367.html.

Automobile Magazine, *2006 SUV Sneak Preview*, Publication Date: Unknown http://www.automobilemag.com/2006_sneak_preview/0503_sp_suv/index.html.

* cited by examiner

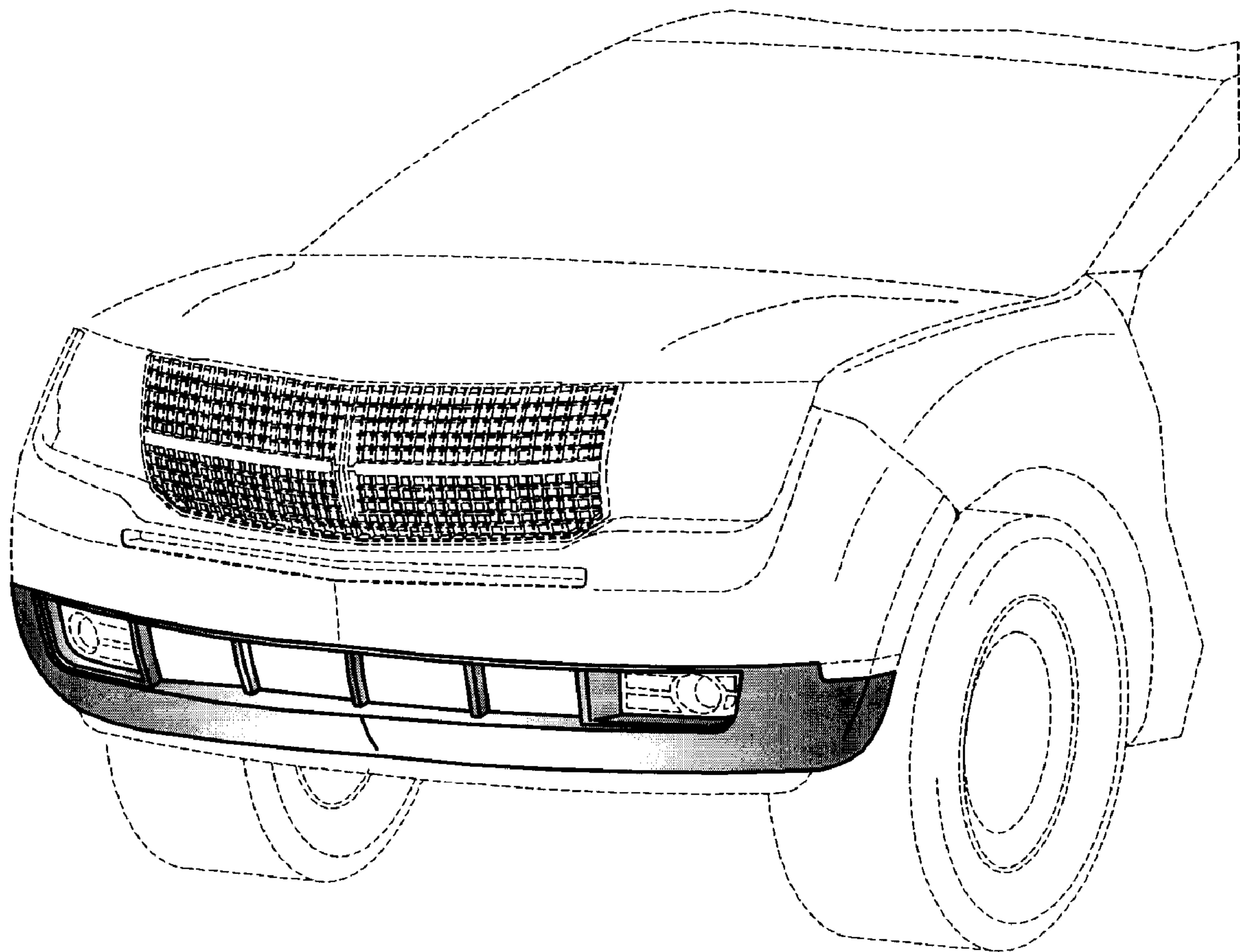


FIG - 1

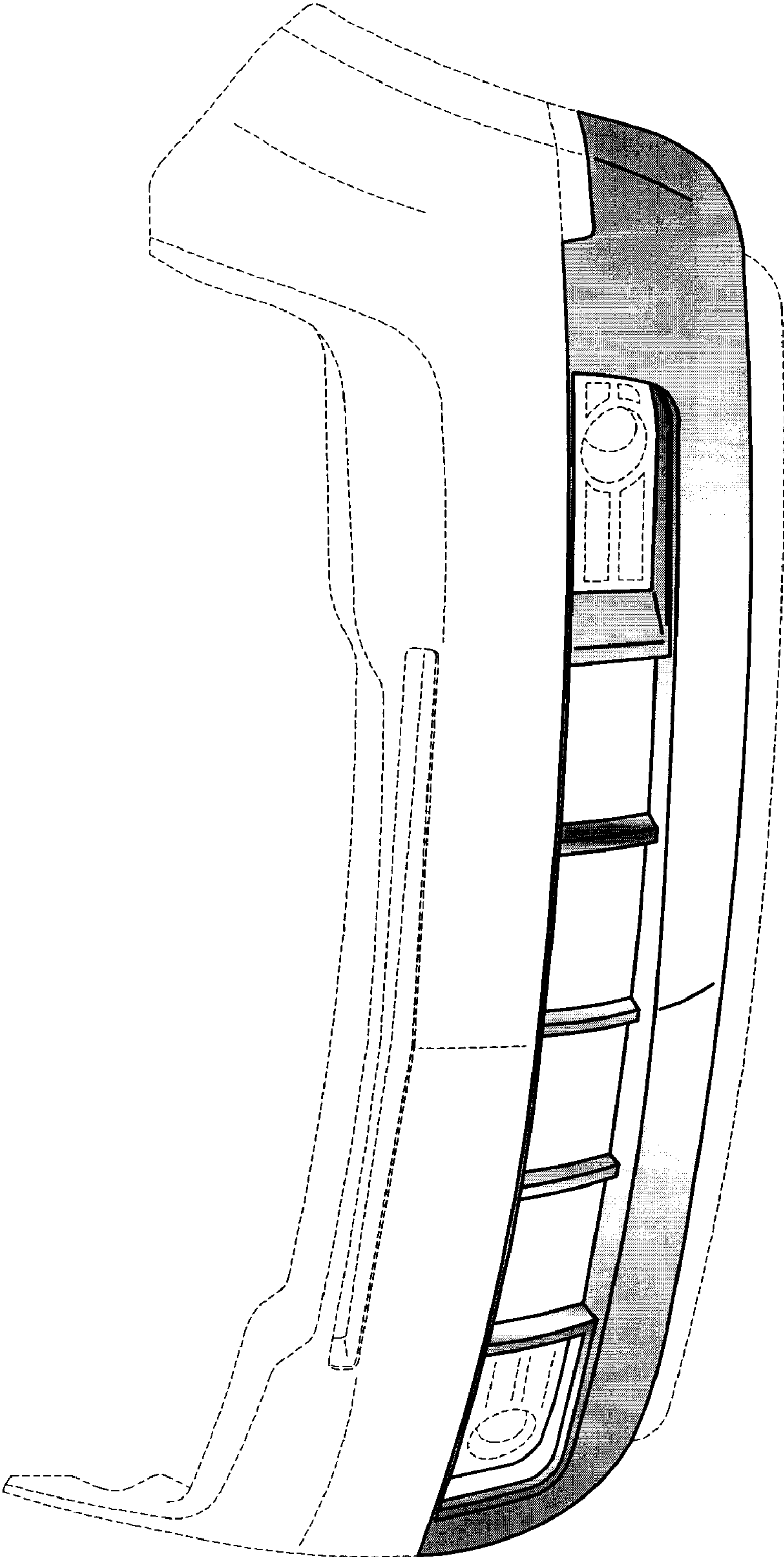


FIG - 2

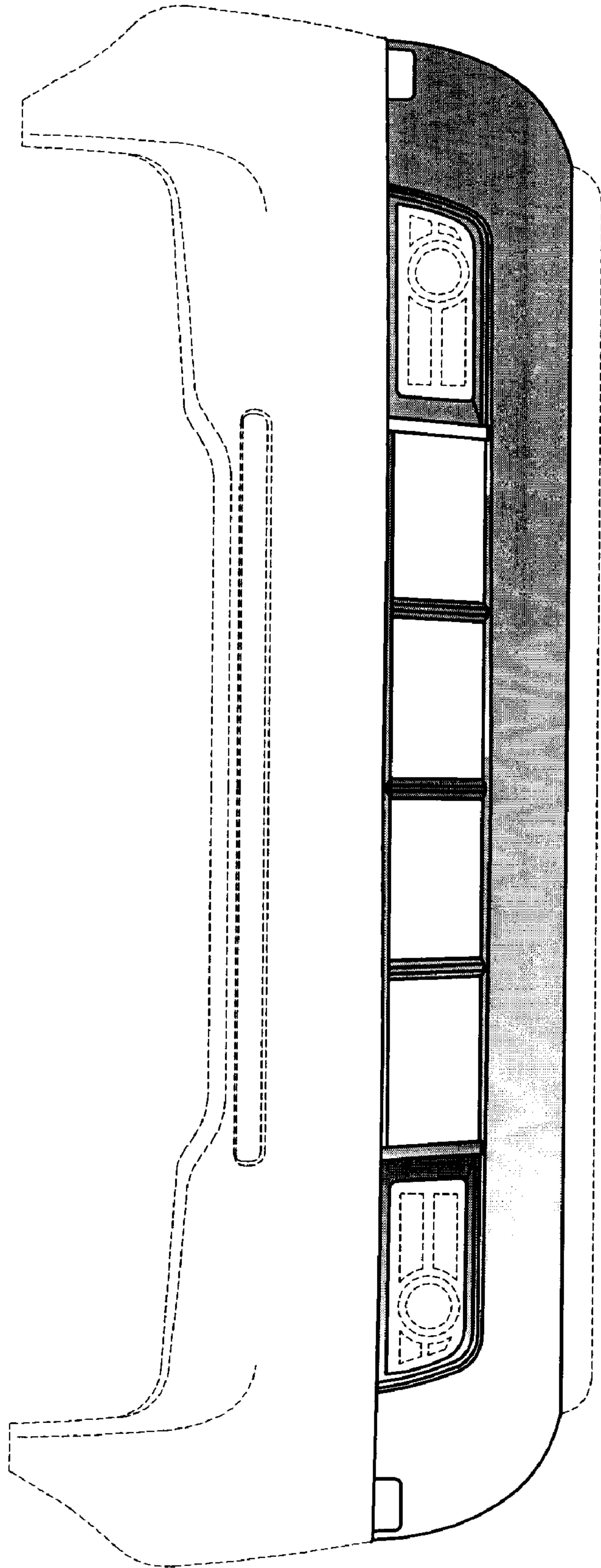


FIG - 3

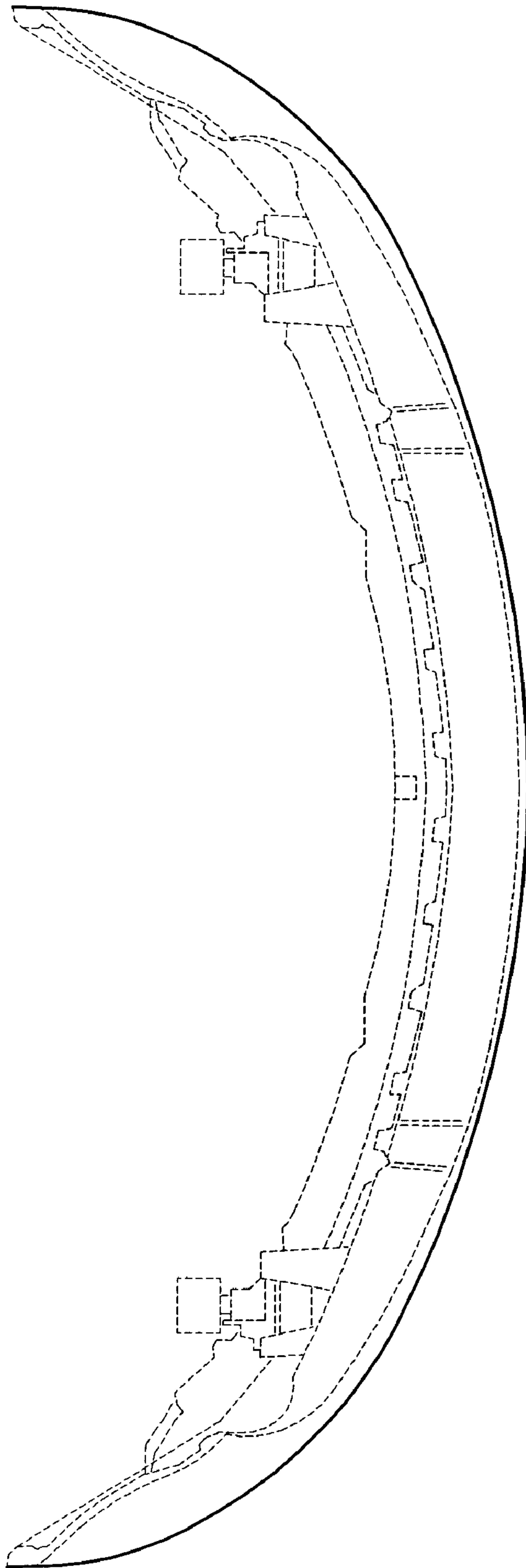


FIG - 4

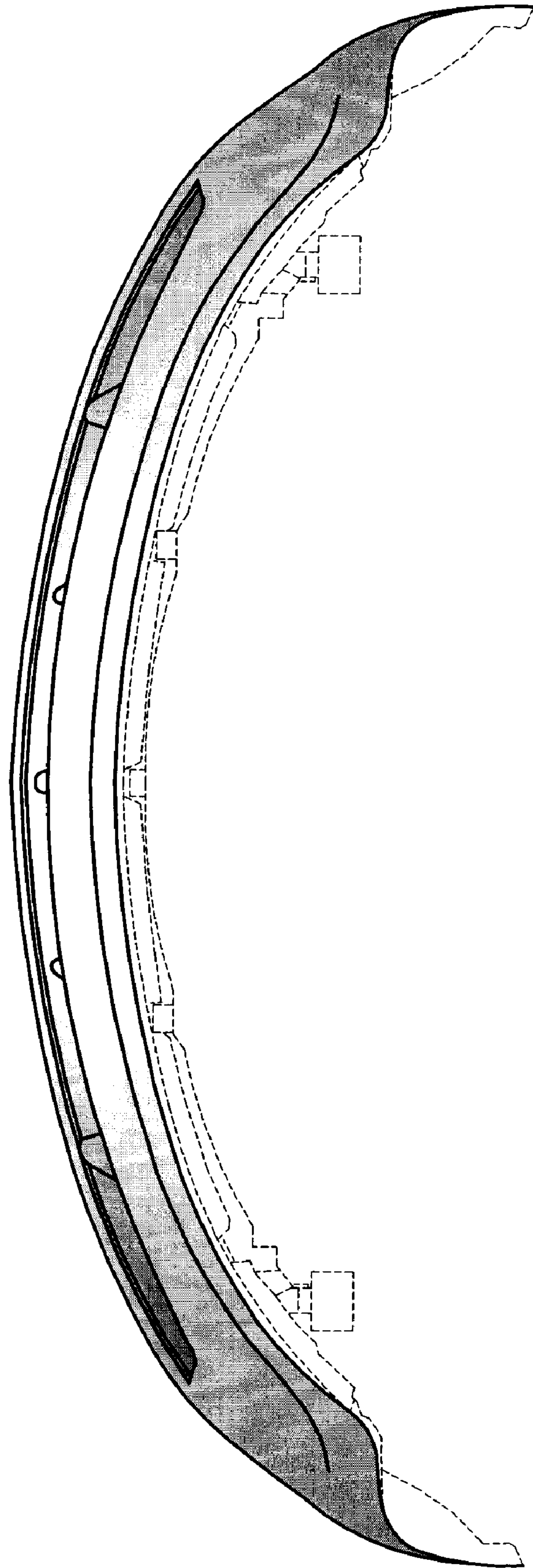


FIG - 5

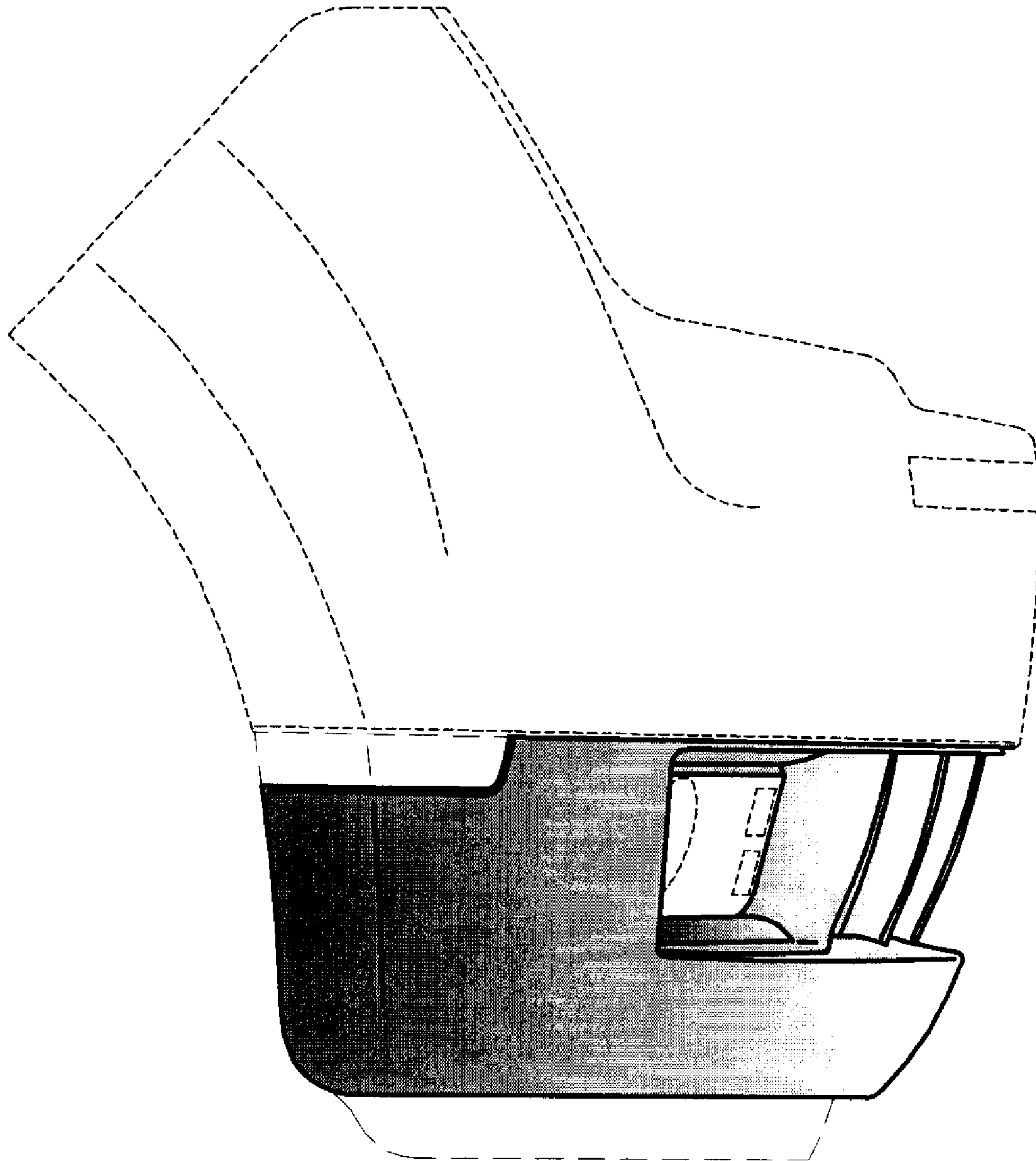


FIG - 6