

US00D541707S

(12) **United States Design Patent**
Komuro

(10) **Patent No.:** **US D541,707 S**

(45) **Date of Patent:** **** May 1, 2007**

(54) **RADIATOR GRILLE FOR VEHICLE**

D525,571 S * 7/2006 Kouzai D12/163
D526,941 S * 8/2006 Yamashita D12/163

(75) Inventor: **Hideo Komuro**, Tokyo (JP)

* cited by examiner

(73) Assignee: **Nissan Motor Co., Ltd.**, Yokohama-shi (JP)

Primary Examiner—Melody N. Brown
(74) *Attorney, Agent, or Firm*—Foley & Lardner LLP

(**) Term: **14 Years**

(57) **CLAIM**

(21) Appl. No.: **29/257,145**

The ornamental design for a radiator grille for vehicle, as shown and described.

(22) Filed: **Mar. 30, 2006**

DESCRIPTION

(30) **Foreign Application Priority Data**

Aug. 31, 2005 (JP) D2005-25140

(51) **LOC (8) Cl.** **12-16**

(52) **U.S. Cl.** **D12/163**

(58) **Field of Classification Search** D12/163,
D12/171, 90-92, 216, 169, 196; 180/68.1,
180/68.6; 296/193.11; 293/102, 113, 115
See application file for complete search history.

FIG. 1 is a perspective view of a radiator grille for vehicle;
FIG. 2 is a front view thereof;
FIG. 3 is a rear view thereof;
FIG. 4 is a top plan view thereof;
FIG. 5 is a bottom view thereof;
FIG. 6 is a right side view thereof;
FIG. 7 is an enlarged sectional view thereof taken along line 7-7;
FIG. 8 is an enlarged sectional view thereof taken along line 8-8;
FIG. 9 is an enlarged sectional view thereof taken along line 9-9; and,
FIG. 10 is an enlarged sectional view thereof taken along line 10-10.

(56) **References Cited**

U.S. PATENT DOCUMENTS

D514,480 S * 2/2006 Yamaji et al. D12/163
D519,890 S * 5/2006 Sakae D12/163
D525,177 S * 7/2006 Kitazumi D12/163

1 Claim, 4 Drawing Sheets

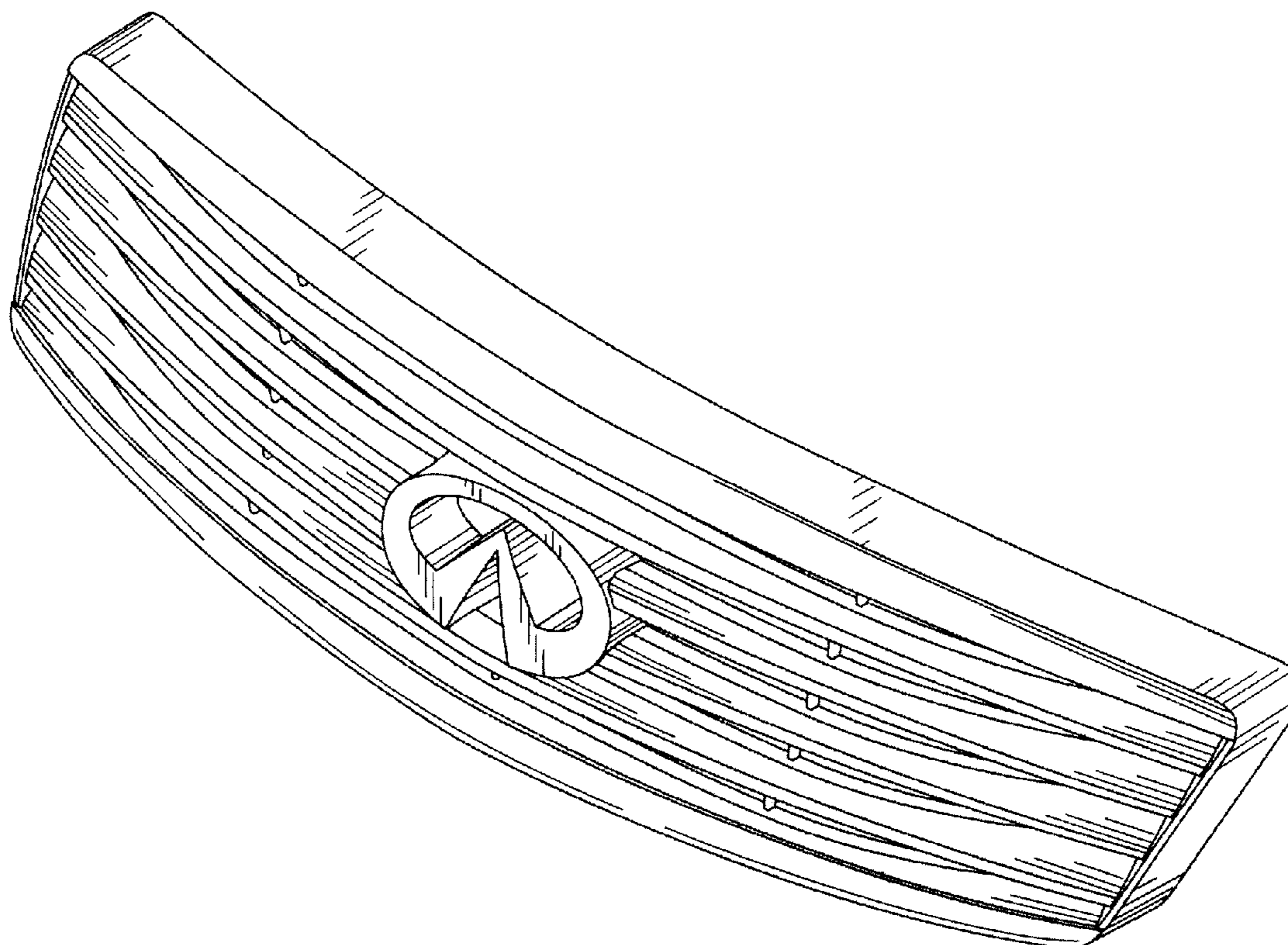


Fig.1

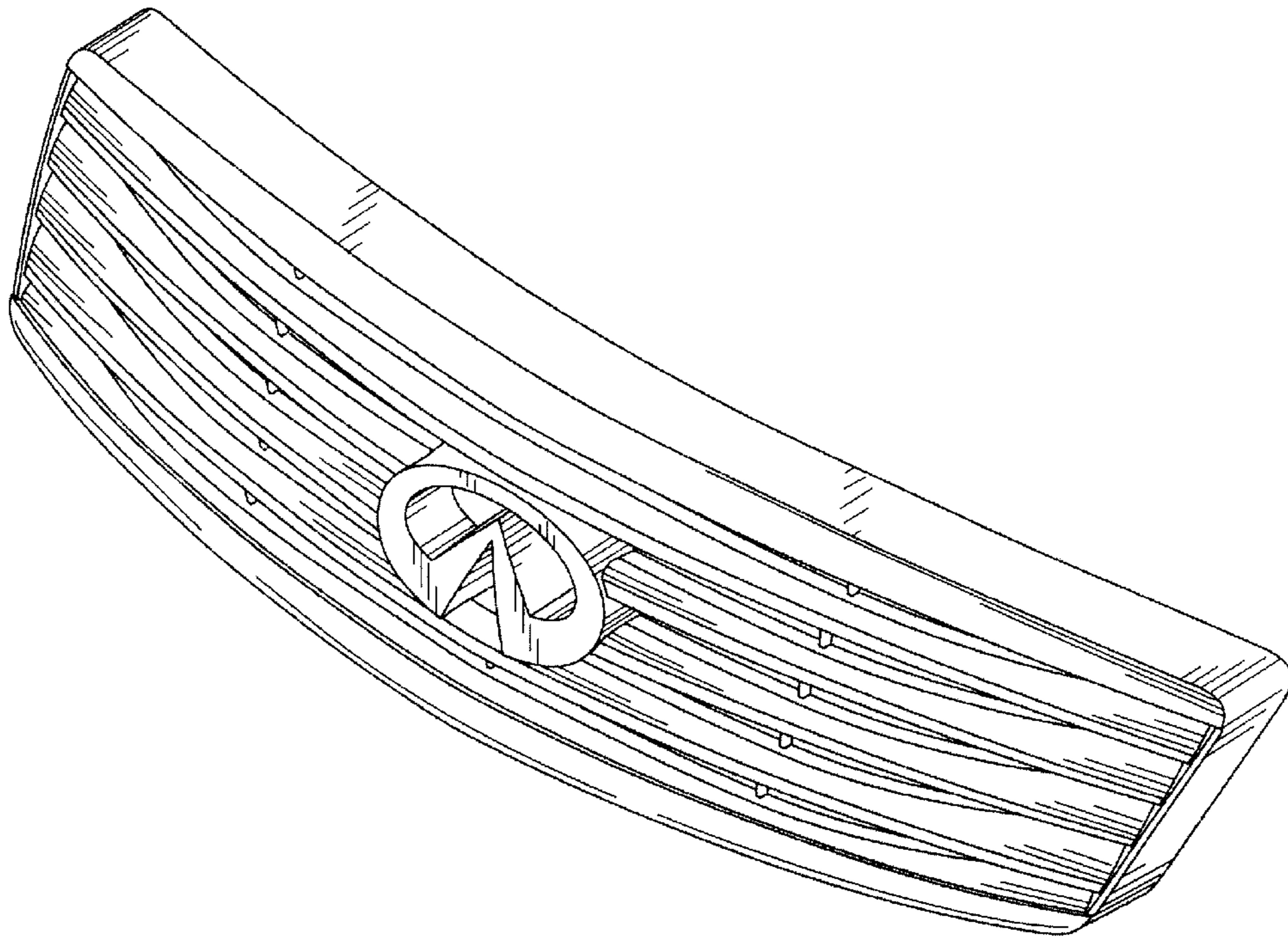
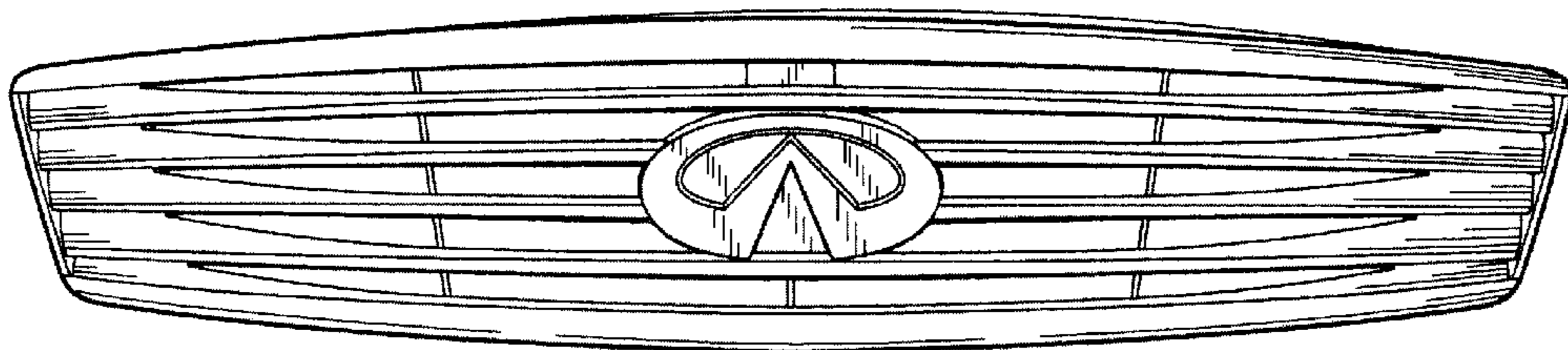


Fig.2

7 ← 8 ← 9 ← 10 ←



7 ← 8 ← 9 ← 10 ←

Fig.3

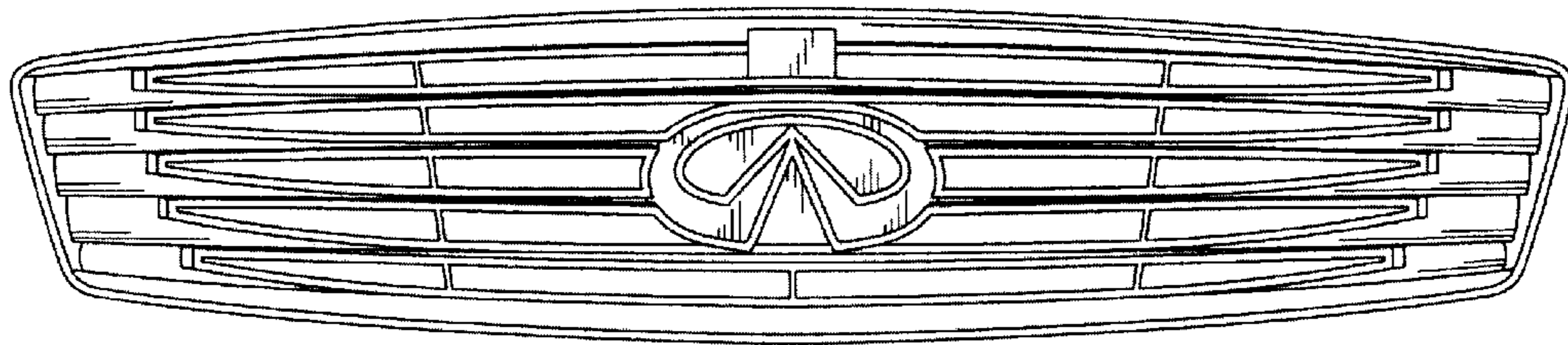


Fig.4

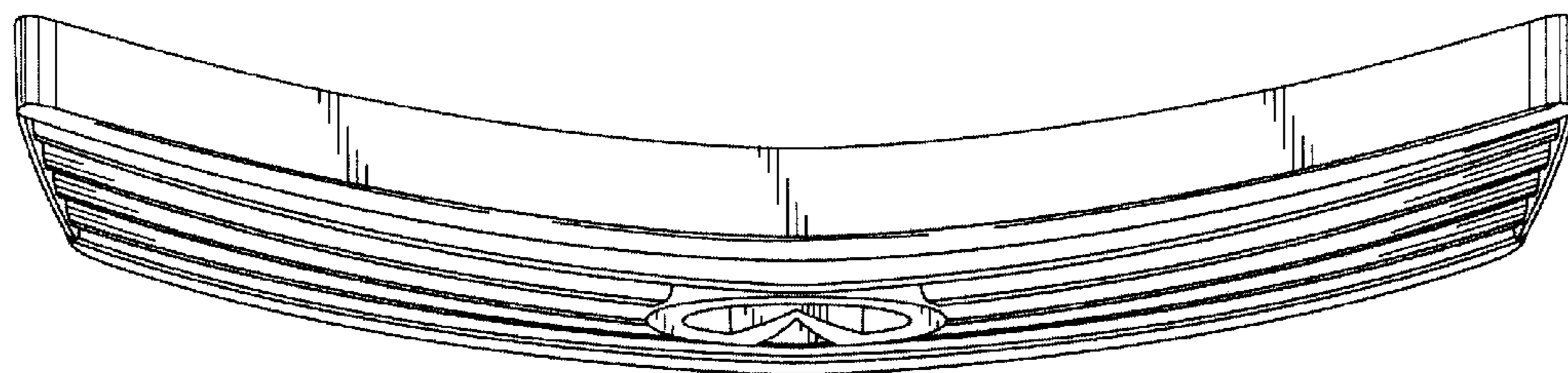


Fig.5

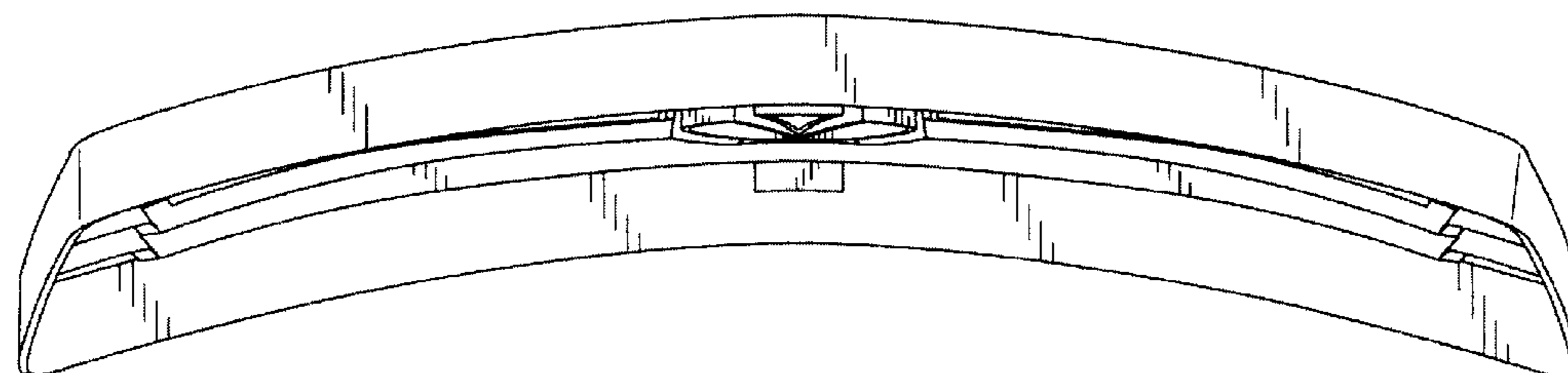


Fig.6

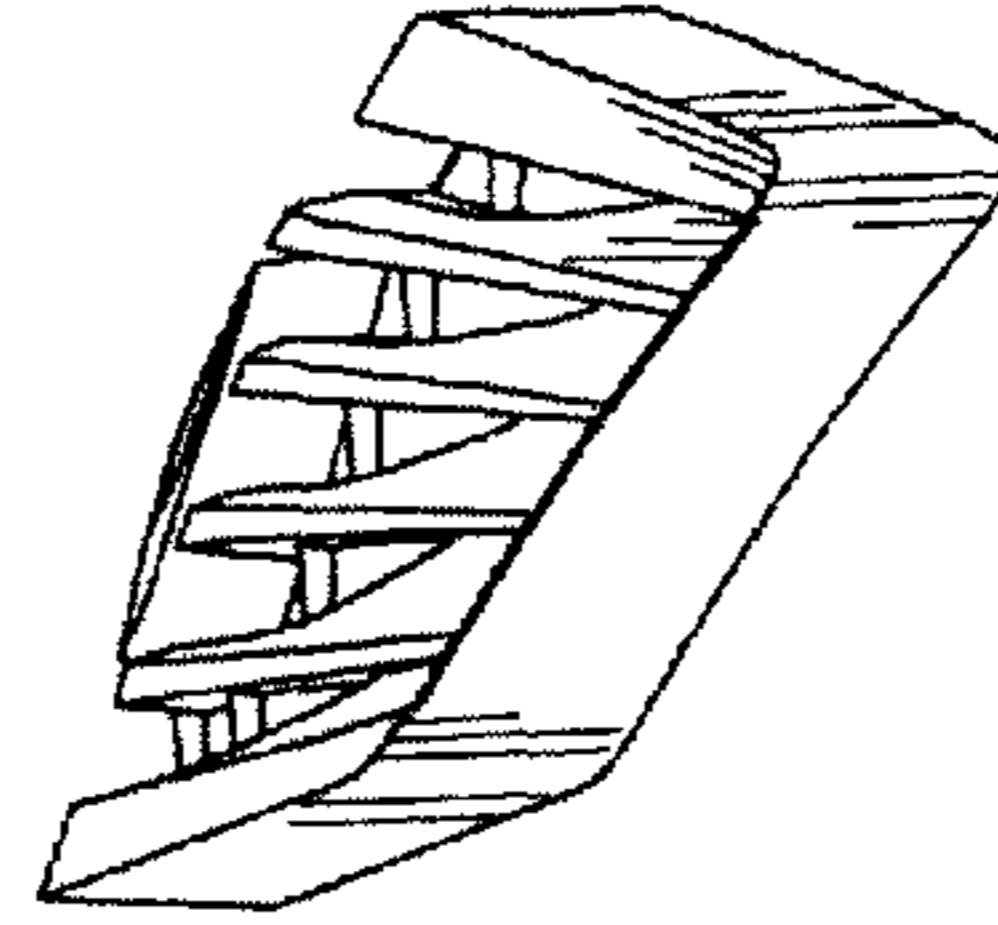


Fig.7

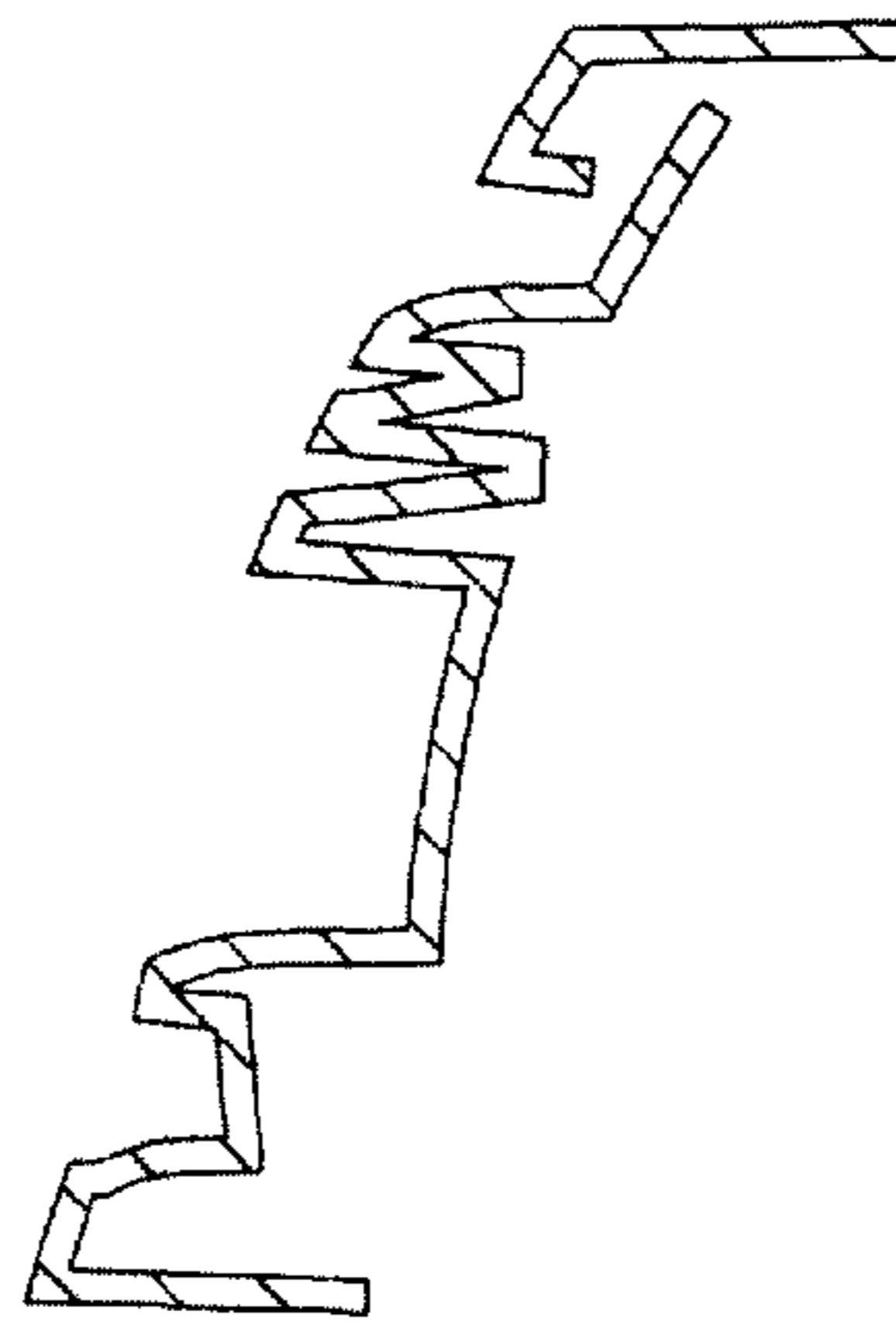


Fig.8

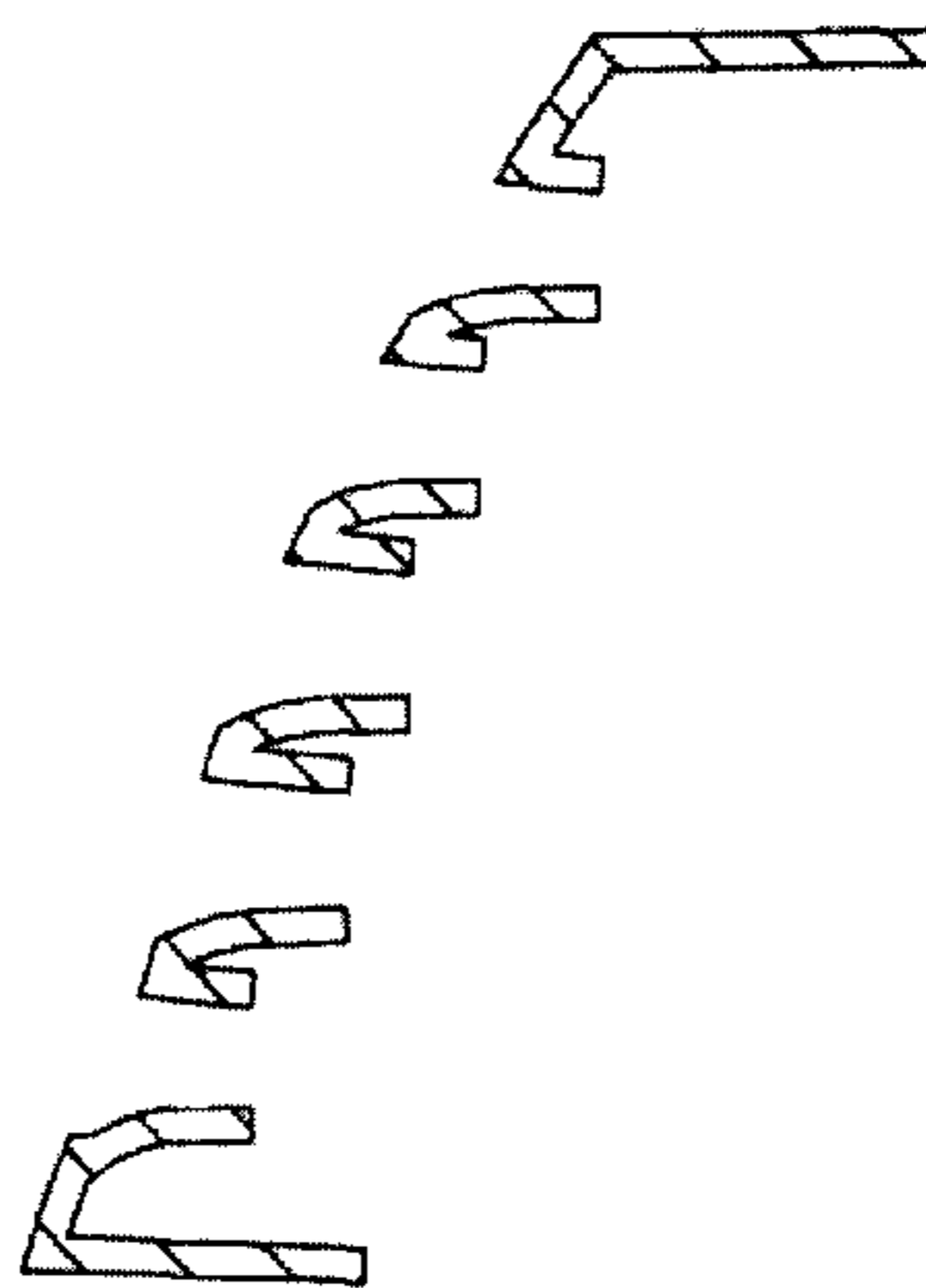


Fig.9

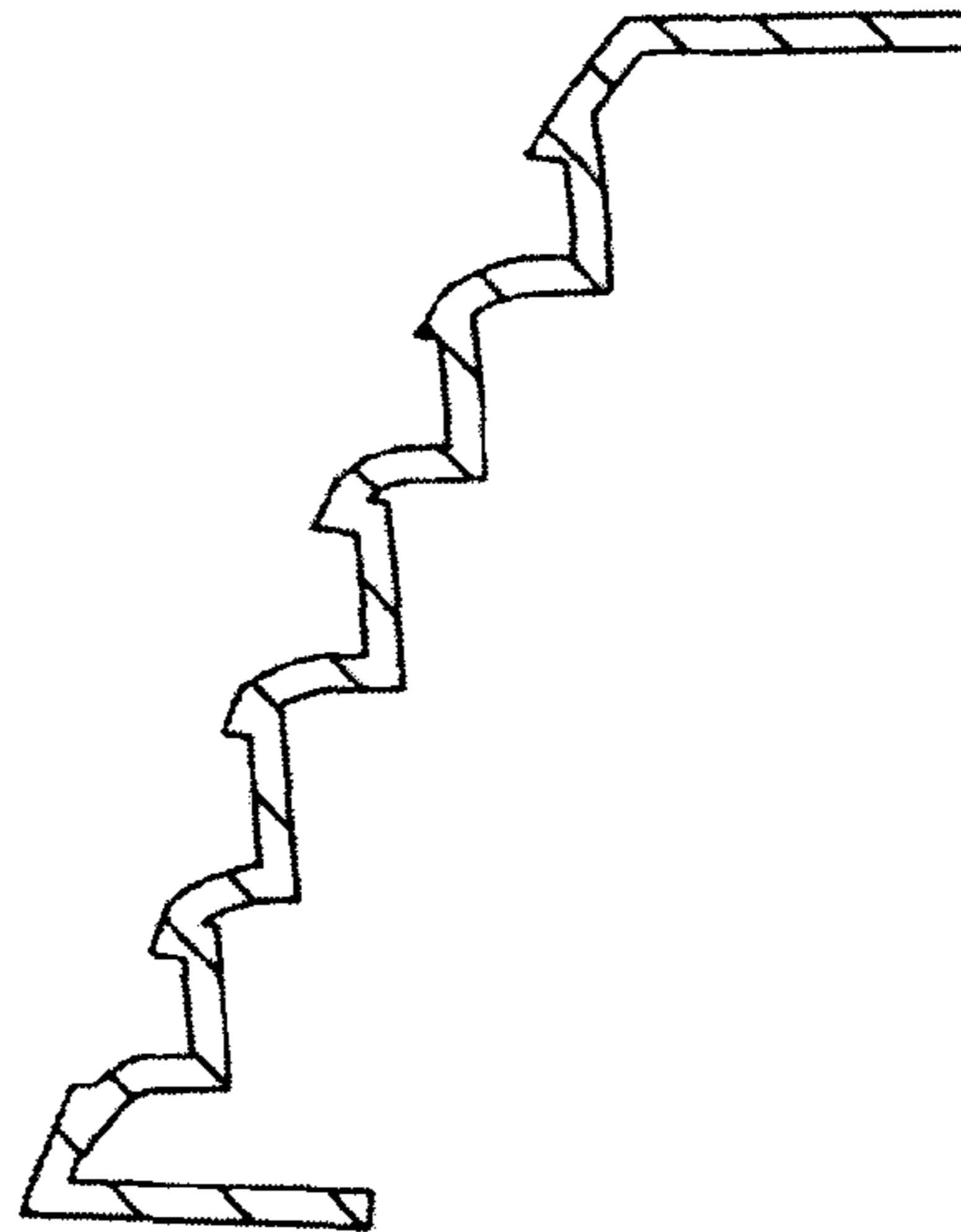


Fig.10

