



US00D541702S

(12) **United States Design Patent** (10) **Patent No.:** **US D541,702 S**
D'Aprile et al. (45) **Date of Patent:** **** May 1, 2007**

(54) **MOTOR VEHICLE AND/OR TOY REPLICA THEREOF**

(75) Inventors: **Elvio D'Aprile**, Sophia Antipolis Cedex (FR); **Satoshi Yokoi**, Kariya (JP)

(73) Assignee: **Toyota Jidosha Kabushiki Kaisha** (JP)

(**) Term: **14 Years**

(21) Appl. No.: **29/254,382**

(22) Filed: **Feb. 22, 2006**

(51) **LOC (8) Cl.** **12-08**

(52) **U.S. Cl.** **D12/91**

(58) **Field of Classification Search** D12/90-92, D12/86, 88; D21/424, 433; 296/181.1, 181.5
See application file for complete search history.

(56) **References Cited**

U.S. PATENT DOCUMENTS

D470,796 S	*	2/2003	Nakajima et al.	D12/91
D476,600 S	*	7/2003	Tamiya et al.	D12/91
D477,249 S	*	7/2003	Ikuma	D12/90
D479,491 S	*	9/2003	Kato et al.	D12/91
D483,297 S	*	12/2003	Albaisa	D12/91
D491,106 S	*	6/2004	Yamada	D12/92
D492,915 S	*	7/2004	Hara et al.	D12/91
D504,087 S	*	4/2005	Hakamata et al.	D12/91
D505,097 S	*	5/2005	Rodriguez	D12/91
D507,765 S	*	7/2005	Nakajima et al.	D12/91
D528,042 S	*	9/2006	Suga et al.	D12/91

OTHER PUBLICATIONS

Hyundai, Santa Fe, Brochure of Santa Fe, 2005, 1 p., Hyundai Motor Deutschland GmbH.

Suzuki, Escudo, Brochure of Escudo, 2004, 1 p., Suzuki Motor Corporation.

Hyundai, Santa Fe, Brochure of Santa Fe, 2005, 1 p., Hyundai Motor Deutschland GmbH.

Toyota, Rush, Brochure of RUSH, 2006, 1 p., Toyota Jidosha Kabushiki Kaisha.

Suzuki, Escudo, Brochure of Escudo, 2004, 1p., Suzuki Motor Corporation.

* cited by examiner

Primary Examiner—Melody N. Brown

(74) *Attorney, Agent, or Firm*—SAIDMAN DesignLaw Group

(57) **CLAIM**

The ornamental design for a motor vehicle and/or toy replica thereof, as shown and described.

DESCRIPTION

FIG. 1 is a front perspective view of a motor vehicle and/or toy replica thereof showing our new design;

FIG. 2 is a rear perspective view thereof;

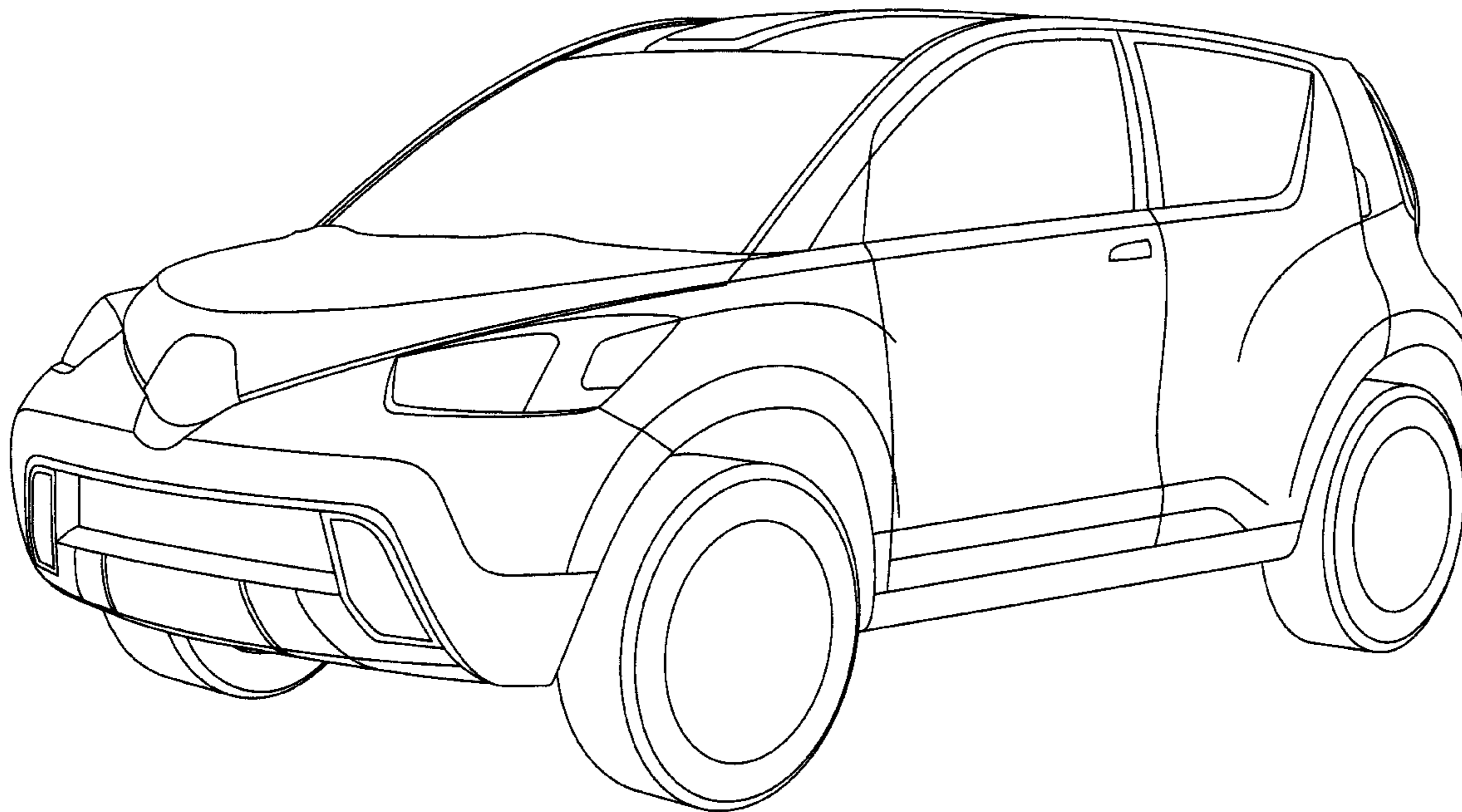
FIG. 3 is a top view thereof;

FIG. 4 is a right-side view thereof;

FIG. 5 is a front view thereof; and,

FIG. 6 is a rear view thereof.

1 Claim, 6 Drawing Sheets



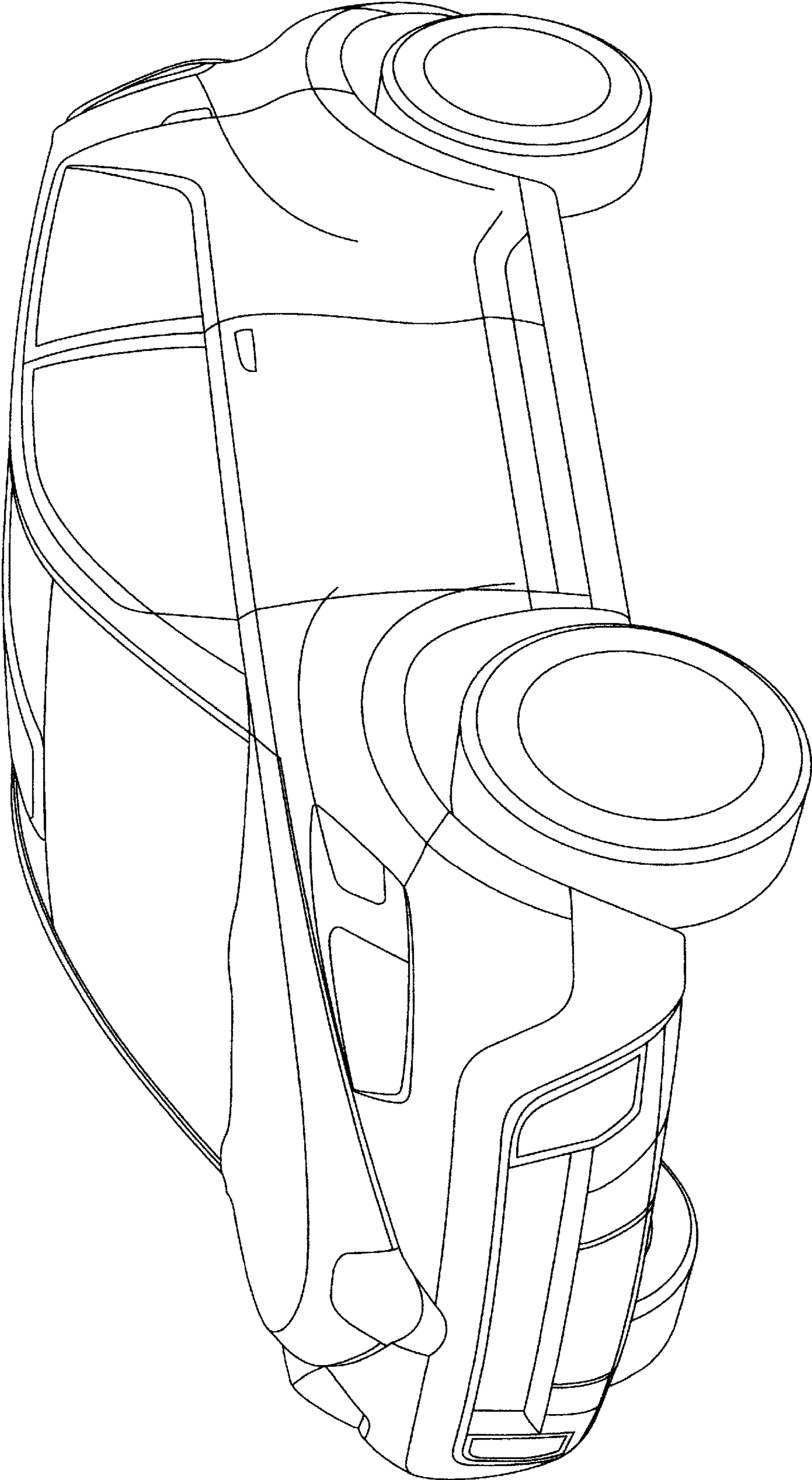


FIG. 1

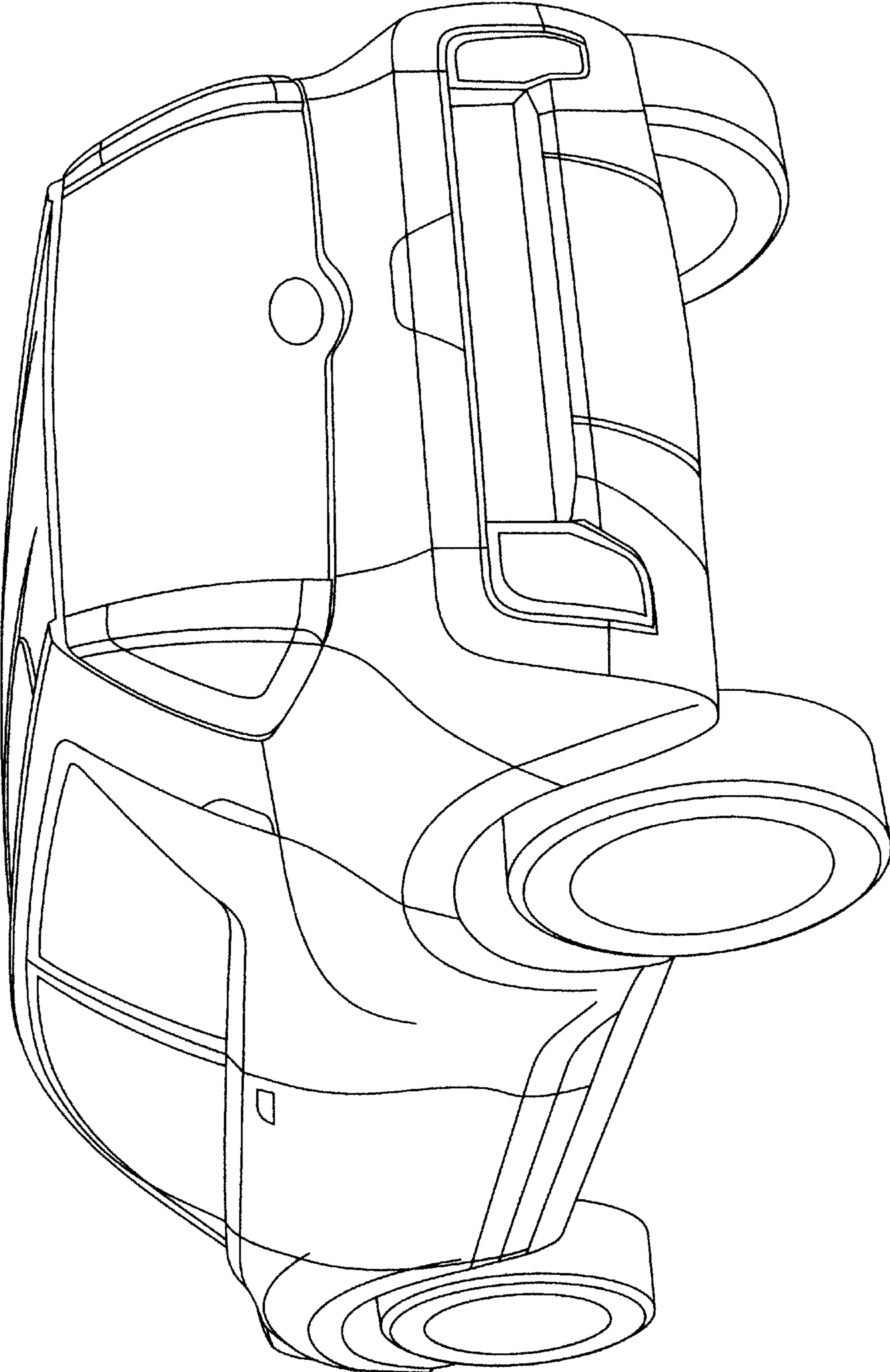


FIG. 2

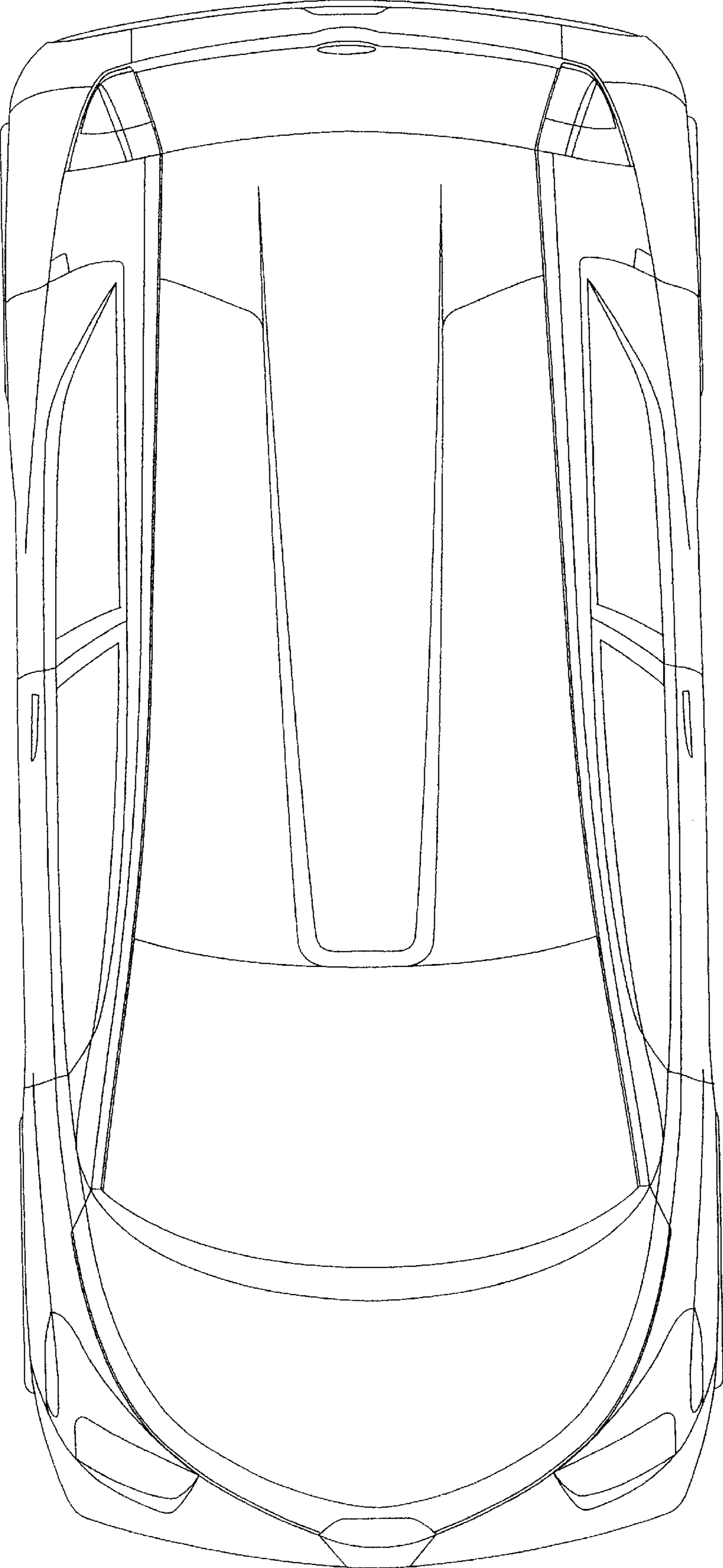


FIG. 3

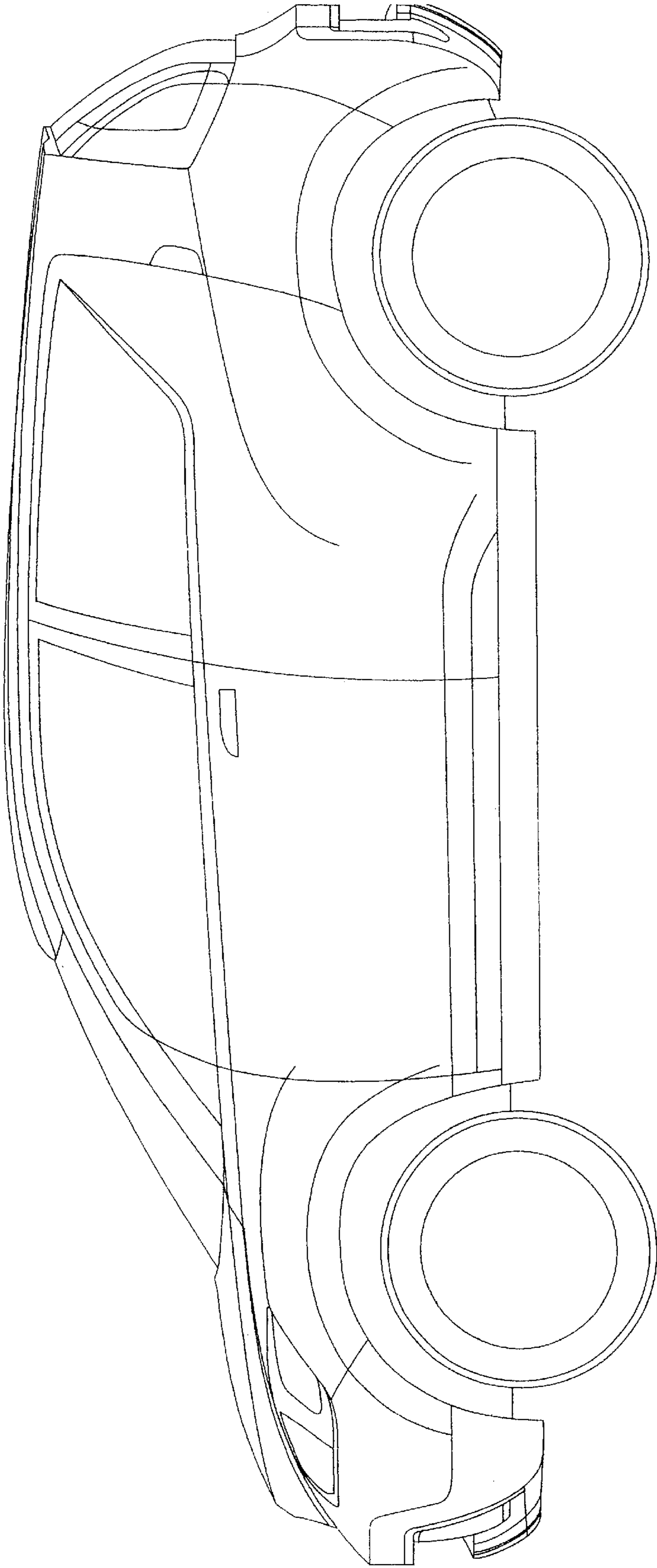


FIG. 4

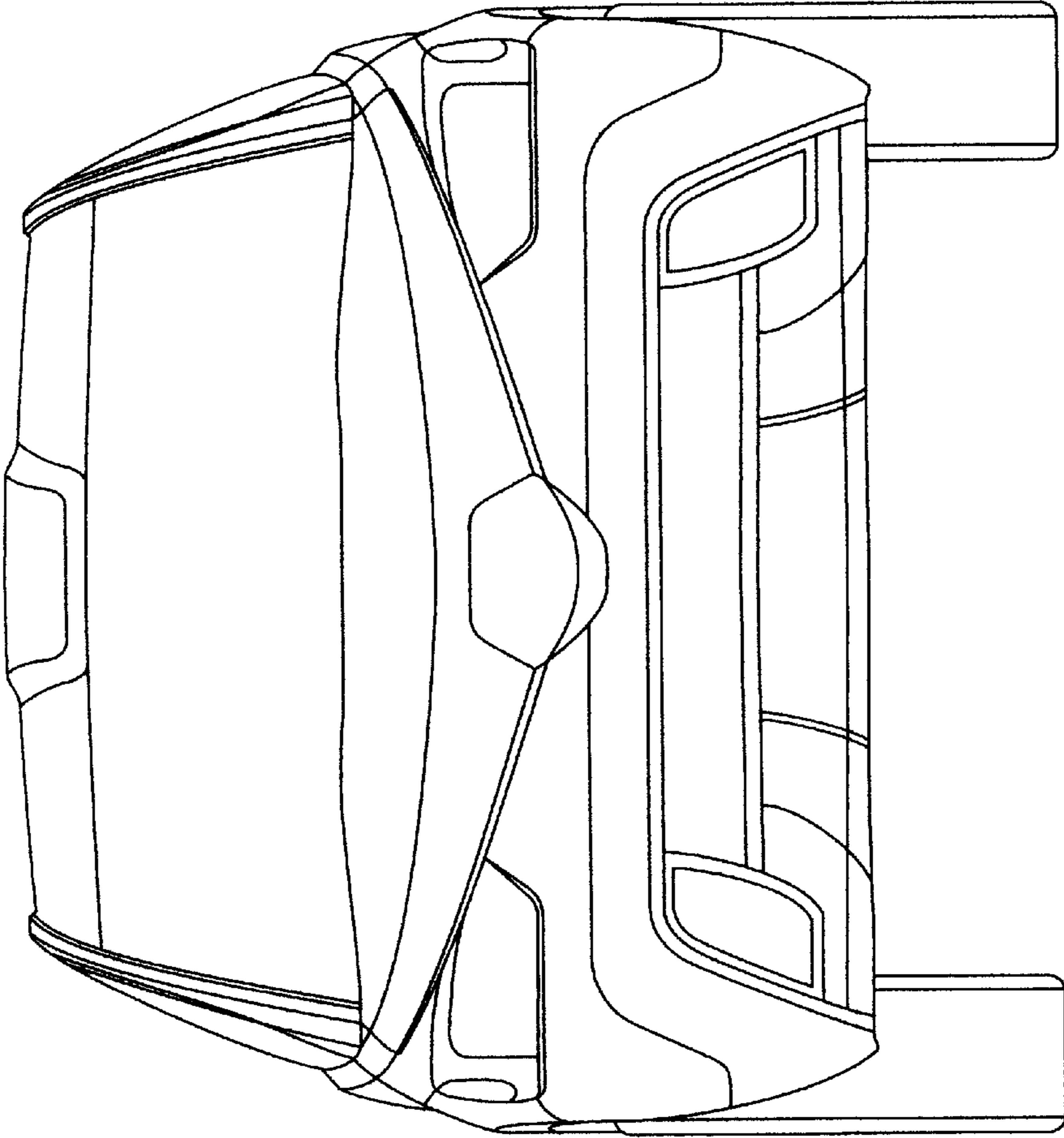


FIG. 5

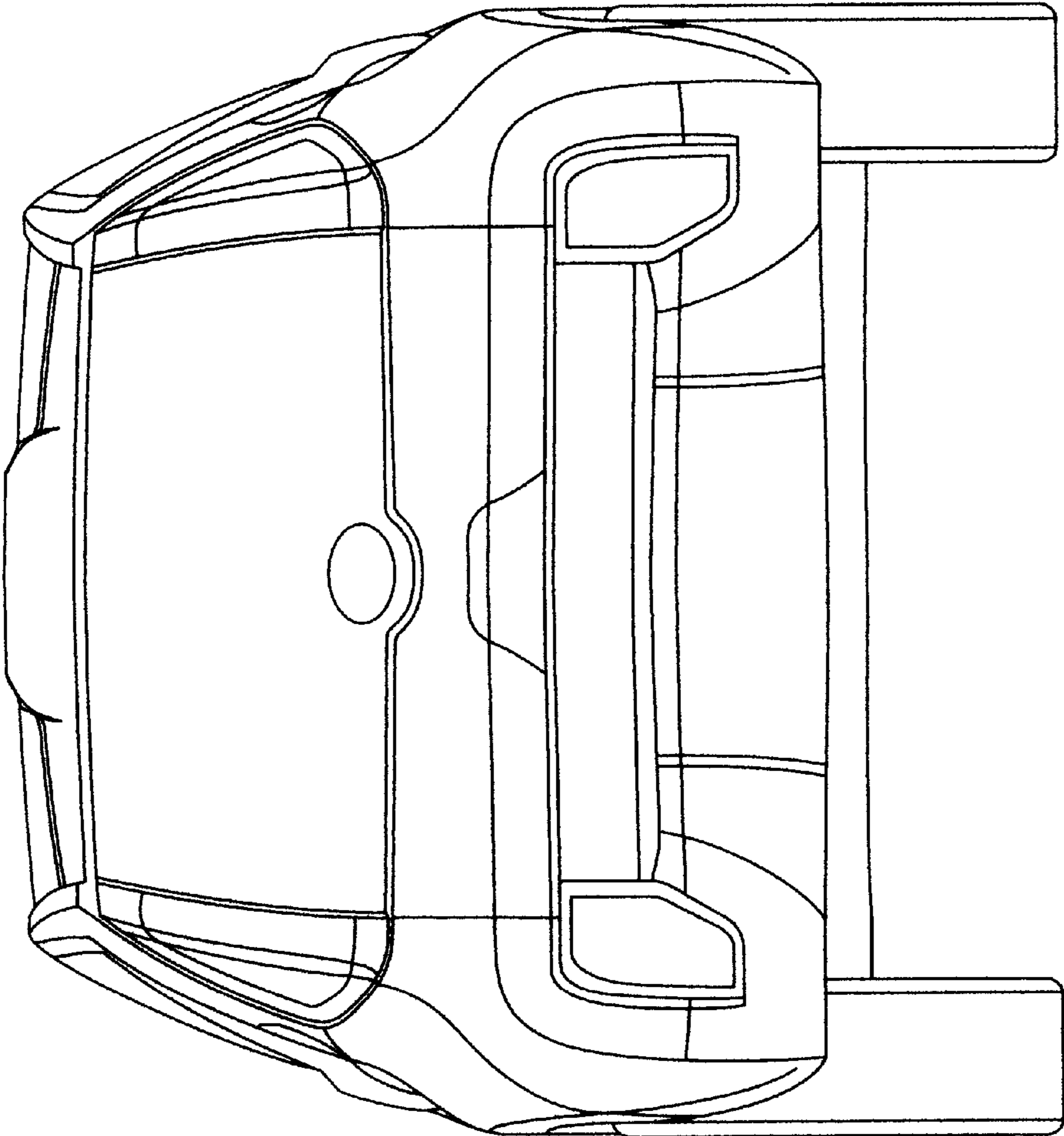


FIG. 6