



US00D541701S

(12) **United States Design Patent**  
**Vasant**

(10) **Patent No.:** **US D541,701 S**

(45) **Date of Patent:** **\*\* May 1, 2007**

(54) **RECREATIONAL ELECTRIC CAR**

FOREIGN PATENT DOCUMENTS

(76) Inventor: **Abraham Vasant**, 1587 Bluebell Ct.,  
Livermore, CA (US) 94551

DE	494280	10/1930
FR	573653	6/1924
FR	927521	10/1947
FR	1378894	10/1964
GB	818446	8/1959
WO	PCT WO 00/75001 A1	12/2000

(\*\*) Term: **14 Years**

(21) Appl. No.: **29/261,633**

*Primary Examiner*—Melody N. Brown

(22) Filed: **Jun. 16, 2006**

(74) *Attorney, Agent, or Firm*—Blakely, Sokoloff, Taylor & Zafman, LLP; Judith A. Szepesi

**Related U.S. Application Data**

(63) Continuation of application No. 10/714,113, filed on Nov. 14, 2003, which is a continuation-in-part of application No. 29/183,300, filed on Jun. 9, 2003, now abandoned.

(57) **CLAIM**

The ornamental design for a recreational electric car, as shown and described.

(51) **LOC (8) Cl.** ..... **12-08**

**DESCRIPTION**

(52) **U.S. Cl.** ..... **D12/86**

(58) **Field of Classification Search** ..... D12/86,  
D12/1, 16, 85, 107; D34/34; 180/233; 296/181.1,  
296/181.5

A portion of the disclosure of this patent document contains material to which a claim for copyright is made. The copyright owner has no objection to the facsimile reproduction by anyone of the patent documents or the patent disclosure as it appears in the Patent and Trademark Office patent file or records, but reserves all other copyright rights whatsoever.

See application file for complete search history.

FIG. 1 is a perspective view of a recreational electric car, showing a preferred embodiment of the new ornamental design.

(56) **References Cited**

U.S. PATENT DOCUMENTS

880,823 A	3/1908	Redfield
991,485 A	5/1911	Darrow
1,426,975 A	8/1922	Fuscaldo
1,437,412 A	12/1922	Girling
2,076,722 A	4/1937	Heinze
2,111,983 A	3/1938	Massey
2,520,835 A	8/1950	England

FIG. 2 is a front elevation view thereof.

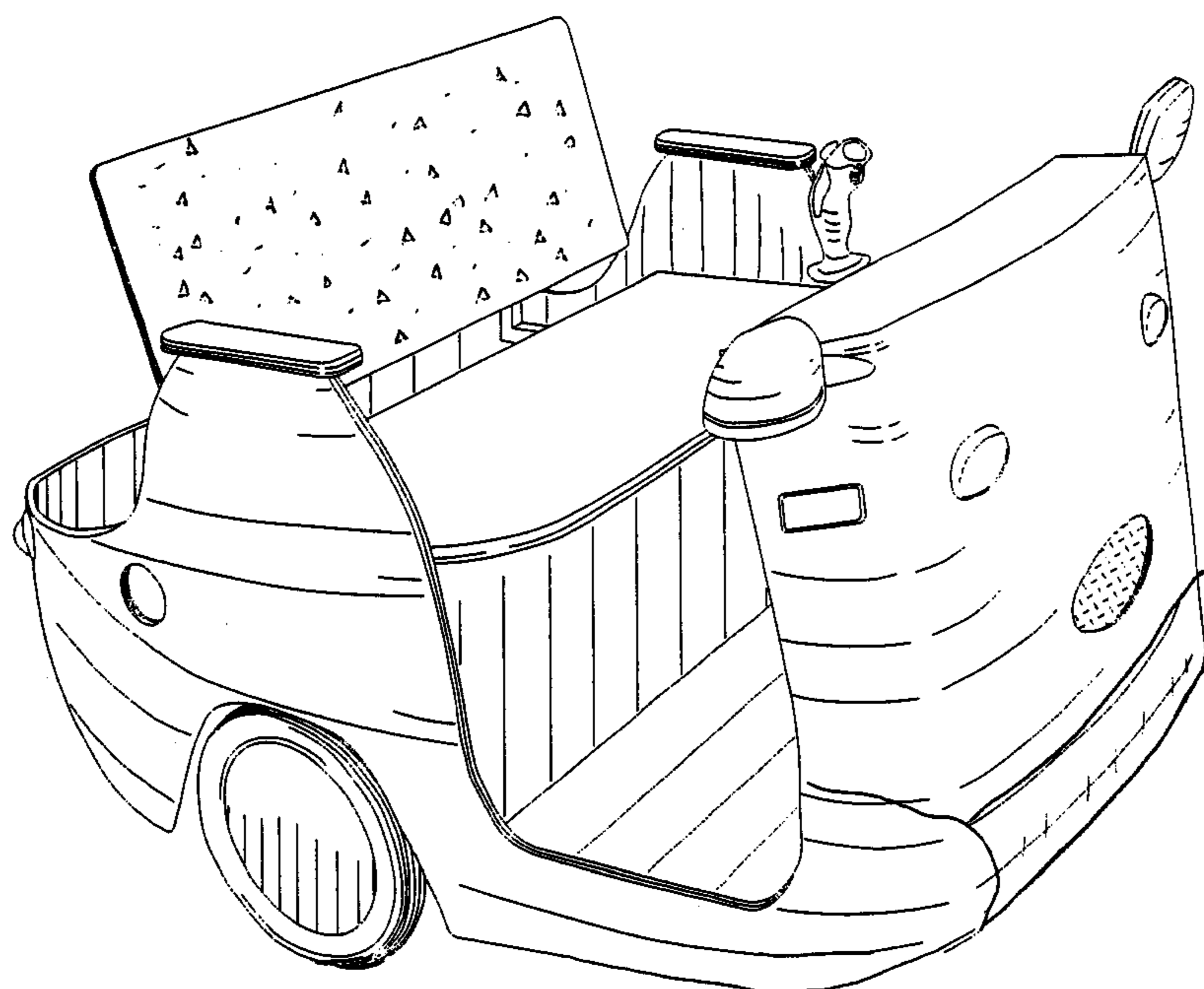
FIG. 2 is a leftside elevation view thereof; The right side view is a mirror image of the left side elevation of FIG. 3.

FIG. 4 is a rear elevation view thereof; and,

FIG. 5 is a top plan view thereof.

(Continued)

**1 Claim, 5 Drawing Sheets**



# US D541,701 S

Page 2

U.S. PATENT DOCUMENTS					
			5,181,740 A	1/1993	Horn
			5,222,572 A	6/1993	Yamagiwa et al.
			D346,990 S	5/1994	Abbott et al.
			5,333,702 A	8/1994	Gaffney et al.
			5,445,233 A	8/1995	Fernie et al.
			5,484,030 A	1/1996	Glenn
			D371,526 S	7/1996	Verduyn et al.
			D373,099 S	8/1996	Molzou
			D378,994 S	4/1997	Picard et al.
			5,628,377 A	5/1997	Le Gloan
			5,725,062 A	3/1998	Fronck
			5,727,642 A	3/1998	Abbott
			5,732,788 A	3/1998	Brown
			D393,511 S	4/1998	Albertsson
			5,791,425 A	8/1998	Kamen et al.
			5,904,218 A	5/1999	Watkins
			5,923,096 A	7/1999	Manak
			5,927,730 A	7/1999	Sattler
			6,009,363 A	12/1999	Beckert et al.
			6,050,367 A	4/2000	Tvetene et al.
			6,062,023 A	5/2000	Kerwin et al.
			6,089,341 A	7/2000	Gingerich
			6,104,154 A	8/2000	Harada et al.
			6,170,592 B1	1/2001	Wu
			D437,256 S	2/2001	Parent
			6,199,932 B1	3/2001	Welsh et al.
			D442,517 S	5/2001	Hoogenraad
			6,313,394 B1	11/2001	Shugar et al.
			D452,054 S	12/2001	Chan
			D452,189 S	12/2001	Doran
			D454,417 S	3/2002	Wu
			D454,996 S	3/2002	Lino
			D456,312 S	4/2002	Leutz
			6,397,961 B1	6/2002	Sutton
			6,581,703 B2	6/2003	Hammonds
			D483,694 S *	12/2003	Bellington ..... D12/16
			D503,656 S *	4/2005	Fukatsu et al. .... D12/1
			D507,206 S *	7/2005	Wang ..... D12/1
			2002/0014357 A1	2/2002	Hammonds

\* cited by examiner

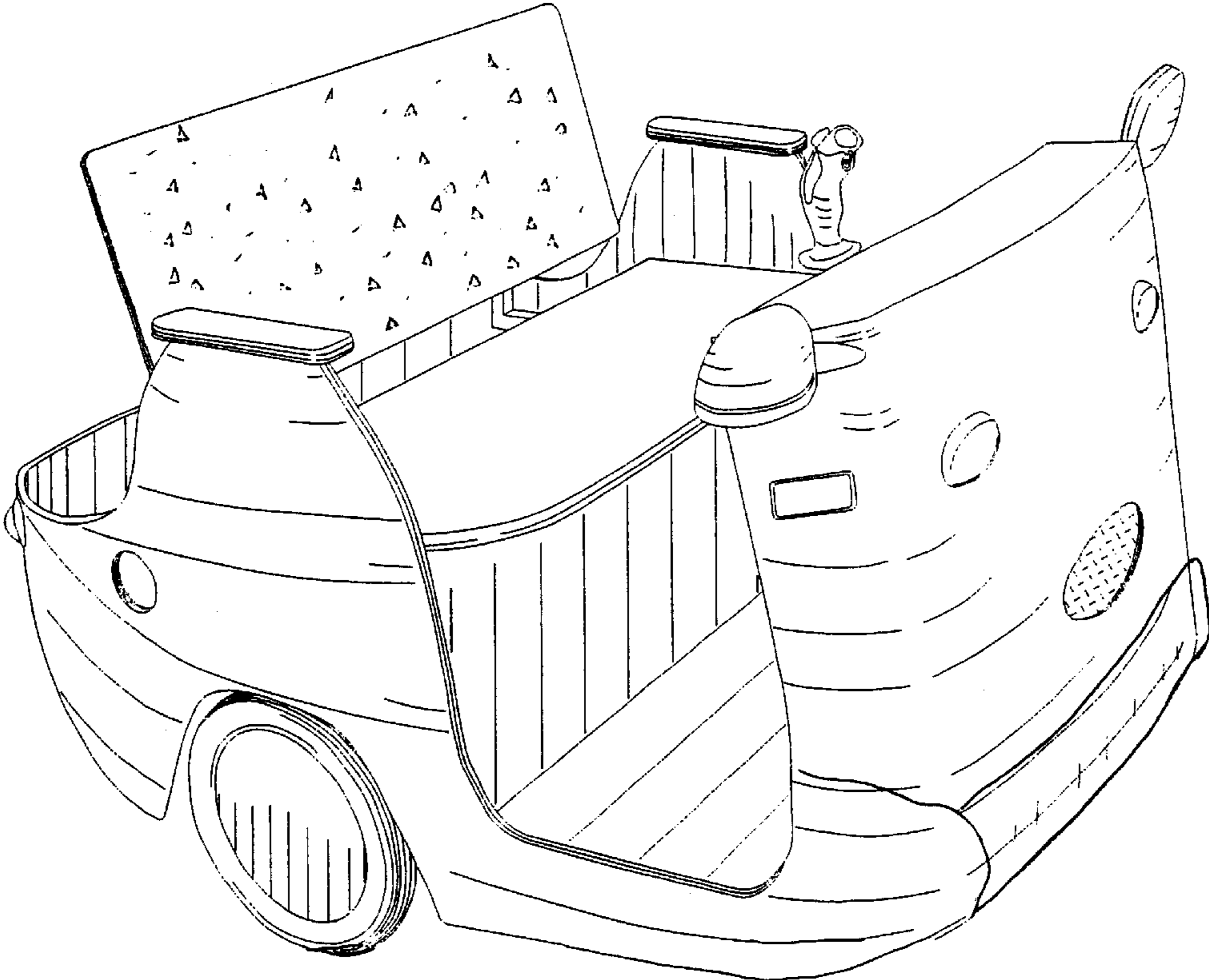


Figure 1

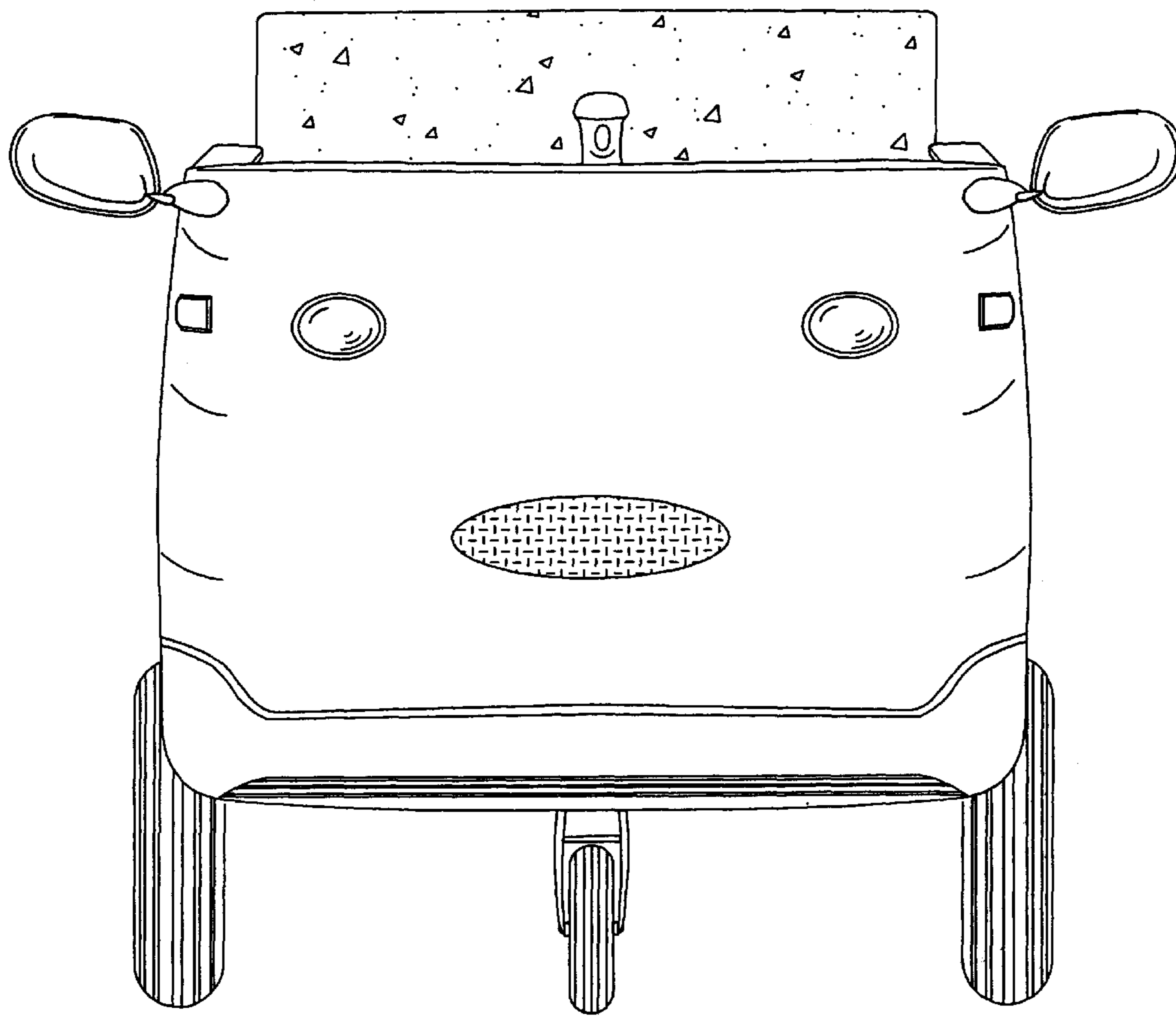


Figure 2



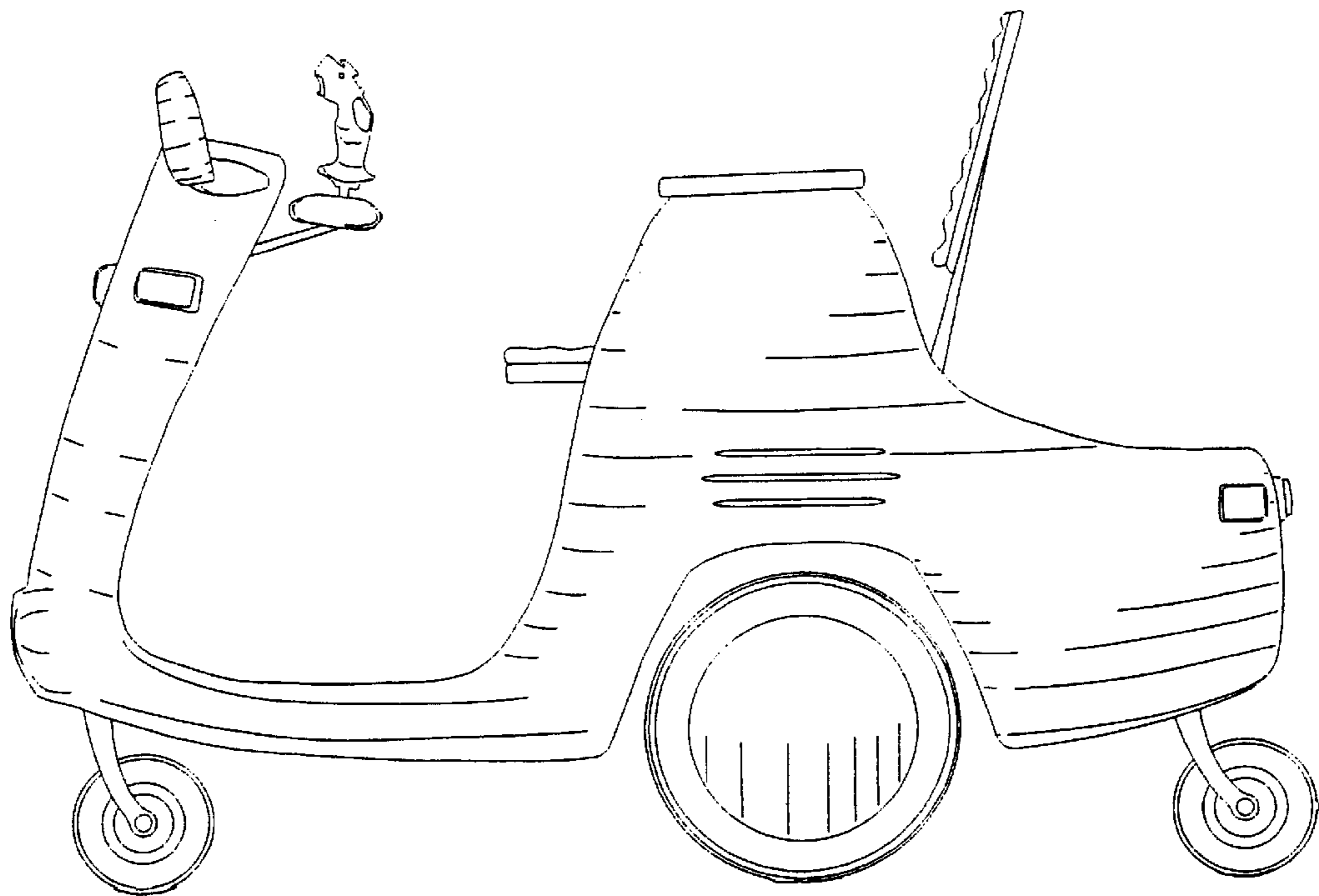


Figure 3

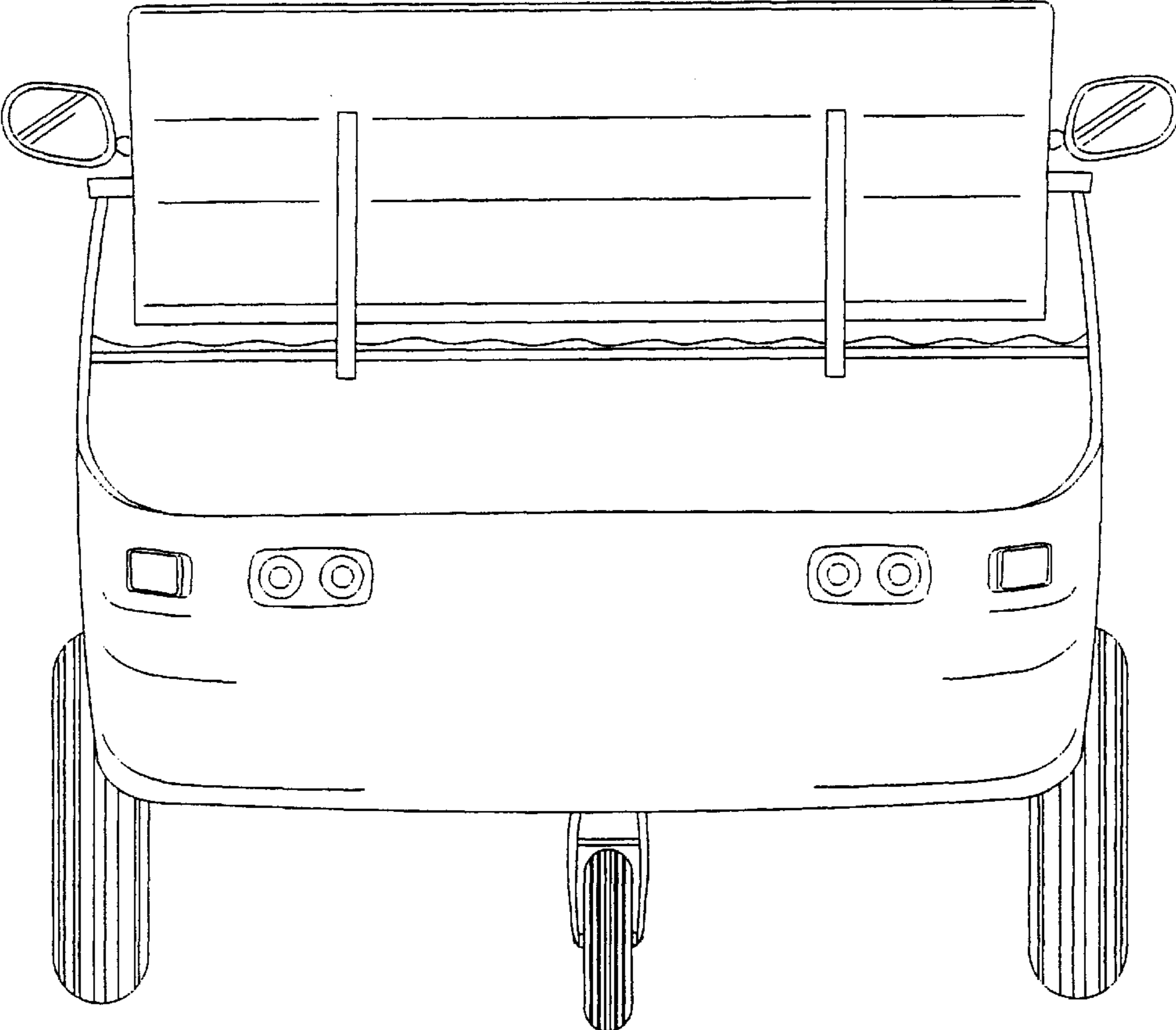


Figure 4

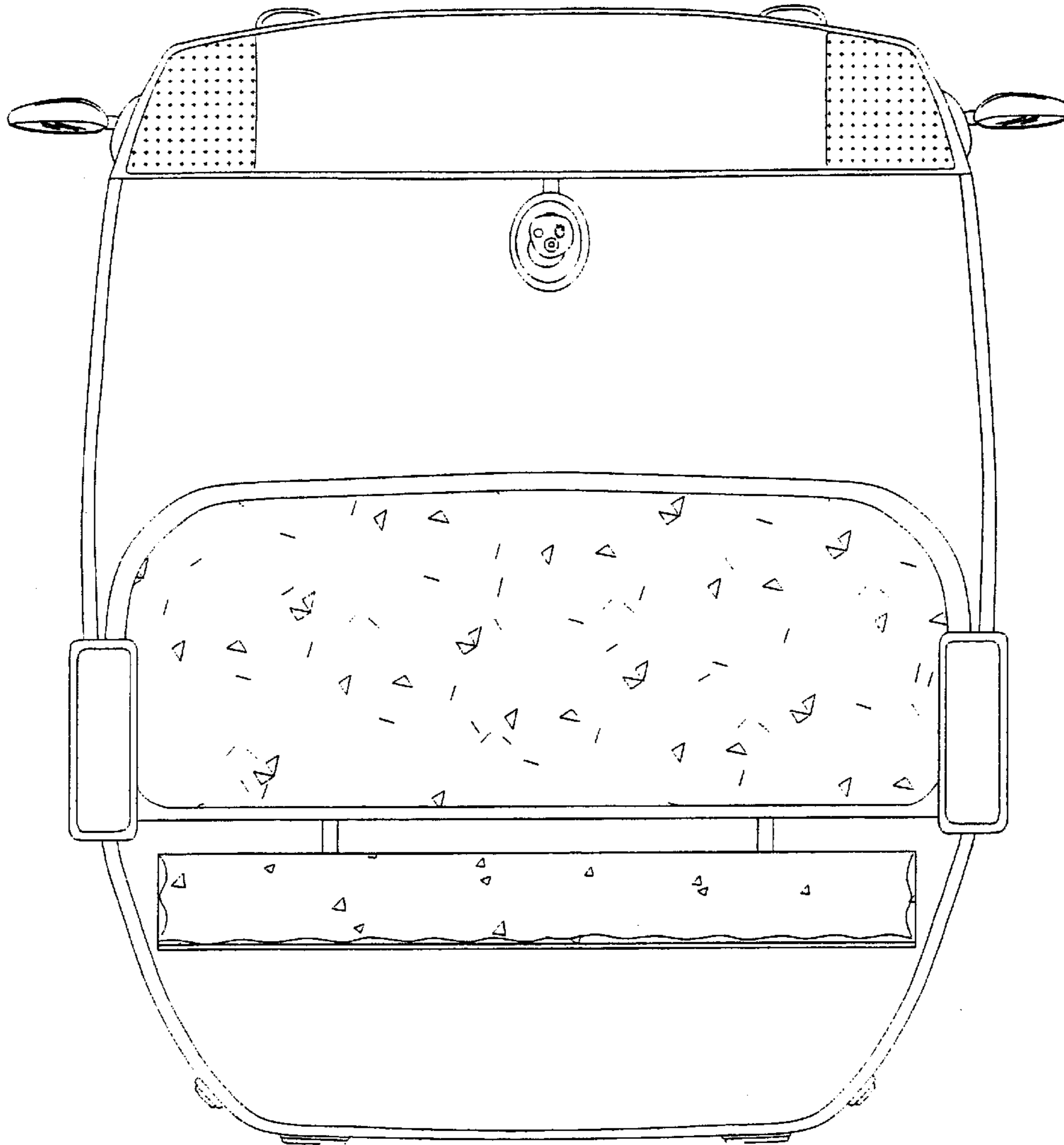


Figure 5