

US00D541688S

(12) **United States Design Patent**
Yorinaga

(10) **Patent No.:** **US D541,688 S**

(45) **Date of Patent:** **** May 1, 2007**

(54) **PHOTO SENSOR**

2004/0079871 A1 * 4/2004 Oikawa et al. 250/234
2005/0082465 A1 * 4/2005 Yamaguchi et al. 250/221

(75) Inventor: **Akikazu Yorinaga**, Kasugai (JP)

OTHER PUBLICATIONS

(73) Assignee: **Sunx Limited** (JP)

Japanese Official Action dated Sep. 22, 2006 issued in corresponding Japanese Appln. No. 2005-036053.

(**) Term: **14 Years**

Brochure of Photoelectric Micro Sensor with Amplifier EE-SPX74/84; Omron Corporation, Oct. 20, 1999; 8 pages.

(21) Appl. No.: **29/257,134**

* cited by examiner

(22) Filed: **Mar. 30, 2006**

(30) **Foreign Application Priority Data**

Primary Examiner—Antoine D. Davis

Assistant Examiner—Patricia Palasik

Dec. 6, 2005 (JP) 2005-036053

(74) *Attorney, Agent, or Firm*—Nixon & Vanderhye PC

(51) **LOC (8) Cl.** **10-05**

(57) **CLAIM**

(52) **U.S. Cl.** **D10/106**

The ornamental design for a photo sensor, as shown.

(58) **Field of Classification Search** D10/104,
D10/106; 250/205, 206, 208.1, 214 LA, 214 PR,
250/214 AL, 227.11, 227.14, 234, 559.11,
250/559.12, 559.15, 559.16, 559.19, 559.38;
340/541, 545.3, 551-552, 565, 567; 356/3.03,
356/3.04, 4.01, 28, 218; 901/47

DESCRIPTION

See application file for complete search history.

FIG. 1 is a rear perspective view of a photo sensor showing my new design;
FIG. 2 is a front perspective view thereof;
FIG. 3 is a front view thereof;
FIG. 4 is a rear view thereof;
FIG. 5 is a top plan view thereof;
FIG. 6 is a bottom plan view thereof;
FIG. 7 is a right side elevational view thereof; and,
FIG. 8 is a left side elevational view thereof.

(56) **References Cited**

U.S. PATENT DOCUMENTS

3,973,685 A * 8/1976 Loomer 901/47
D485,774 S * 1/2004 Hwang et al. D10/106
2004/0001193 A1 * 1/2004 Takaoka 356/3.03

1 Claim, 4 Drawing Sheets

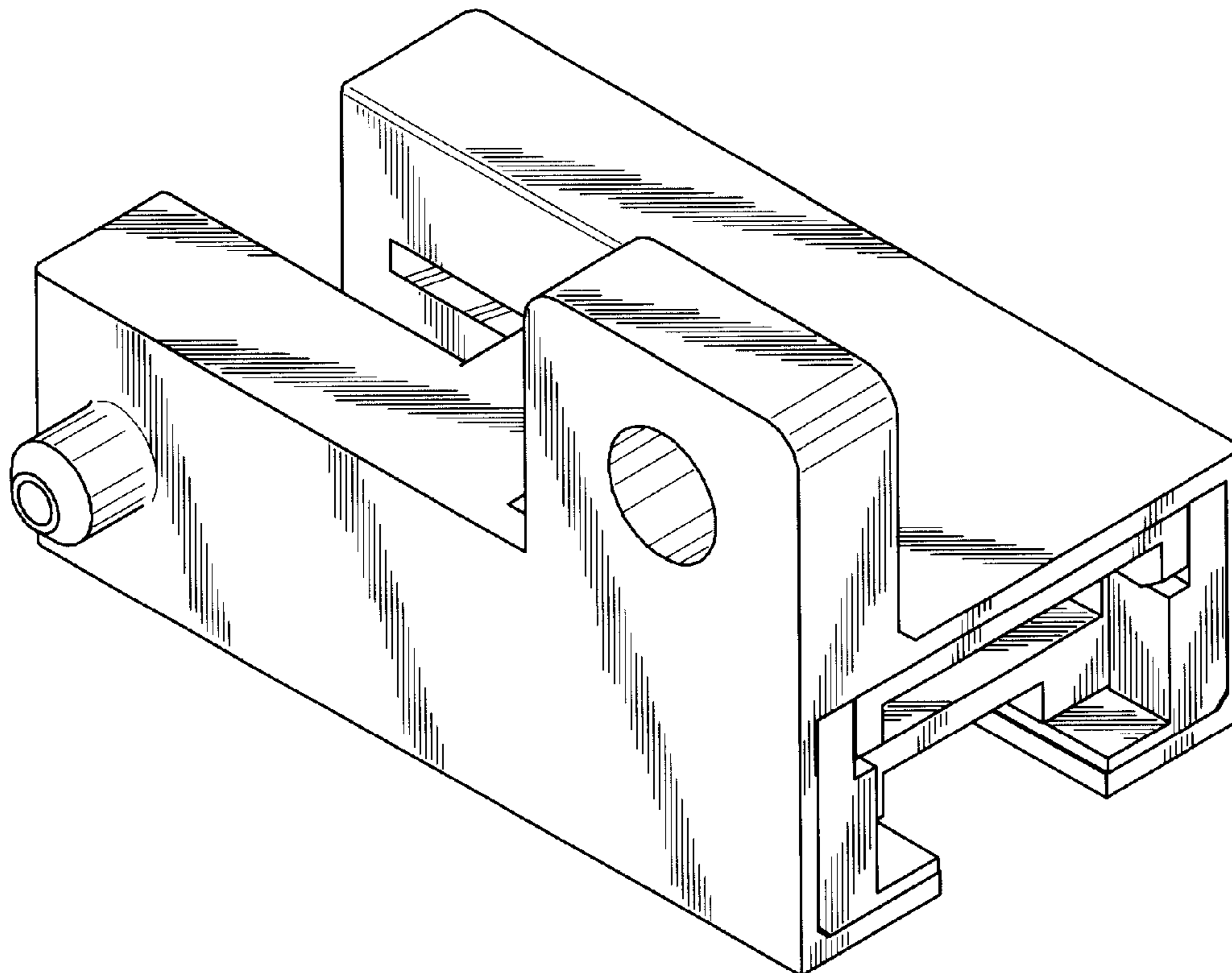


FIG. 1

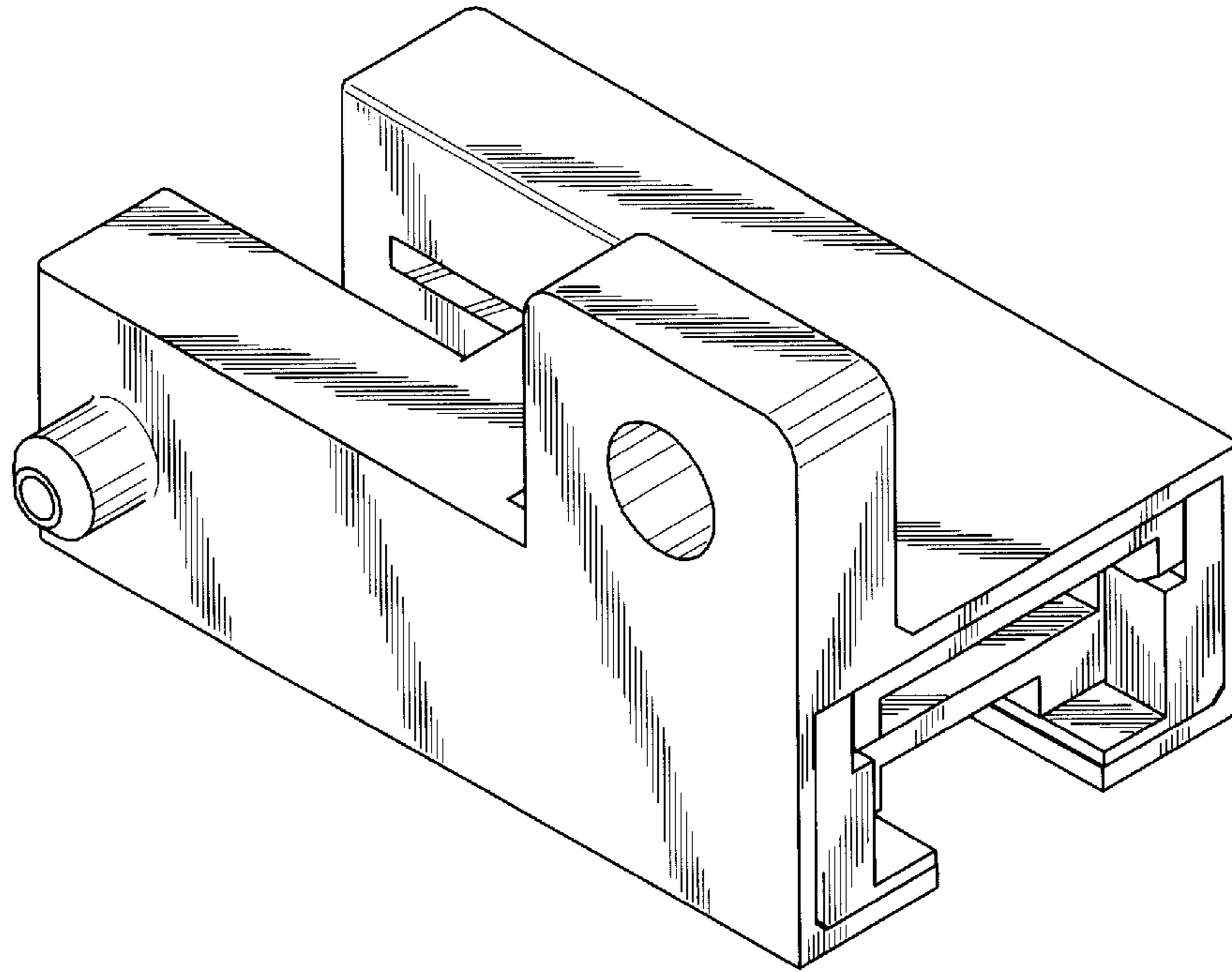


FIG. 2

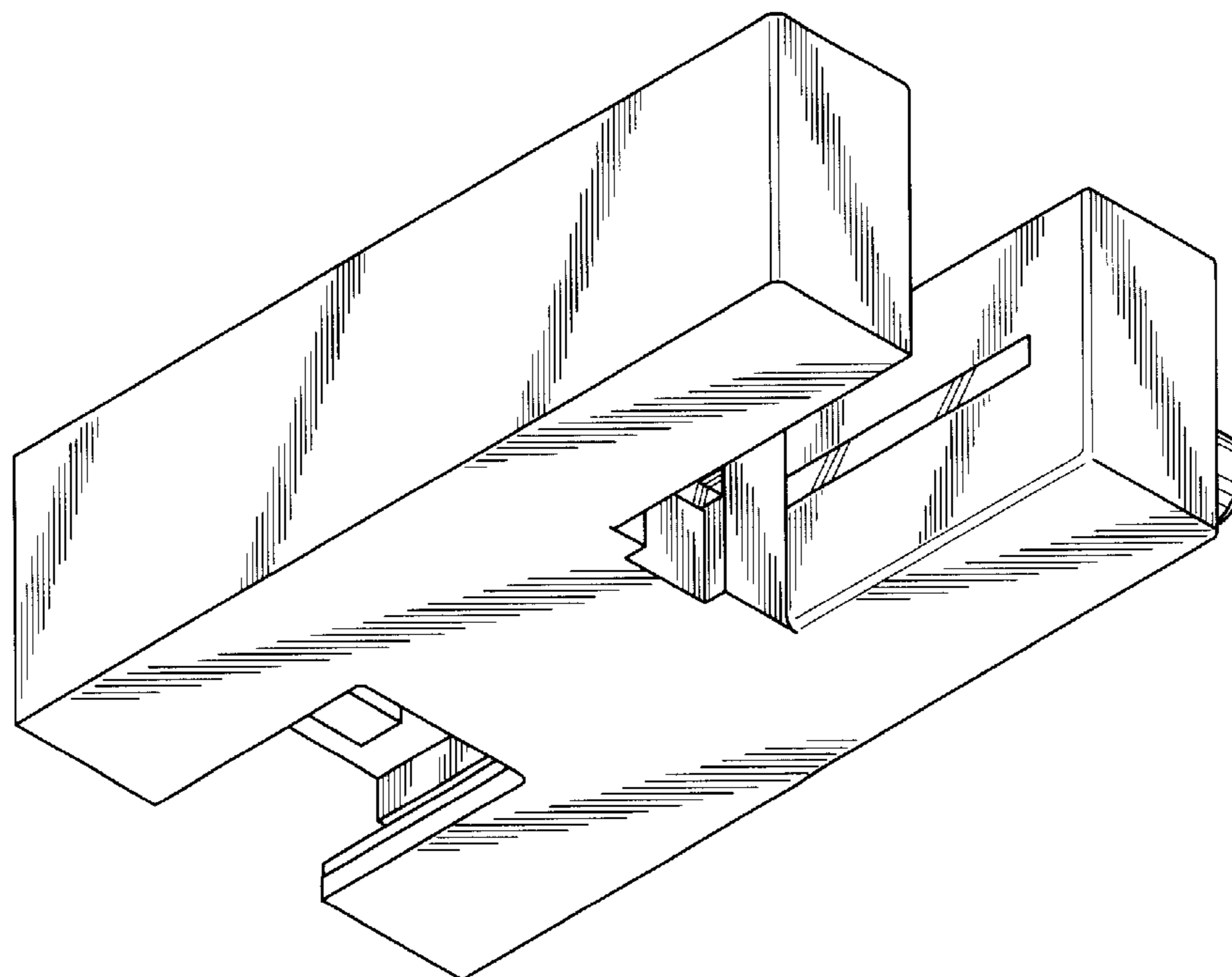


FIG. 3

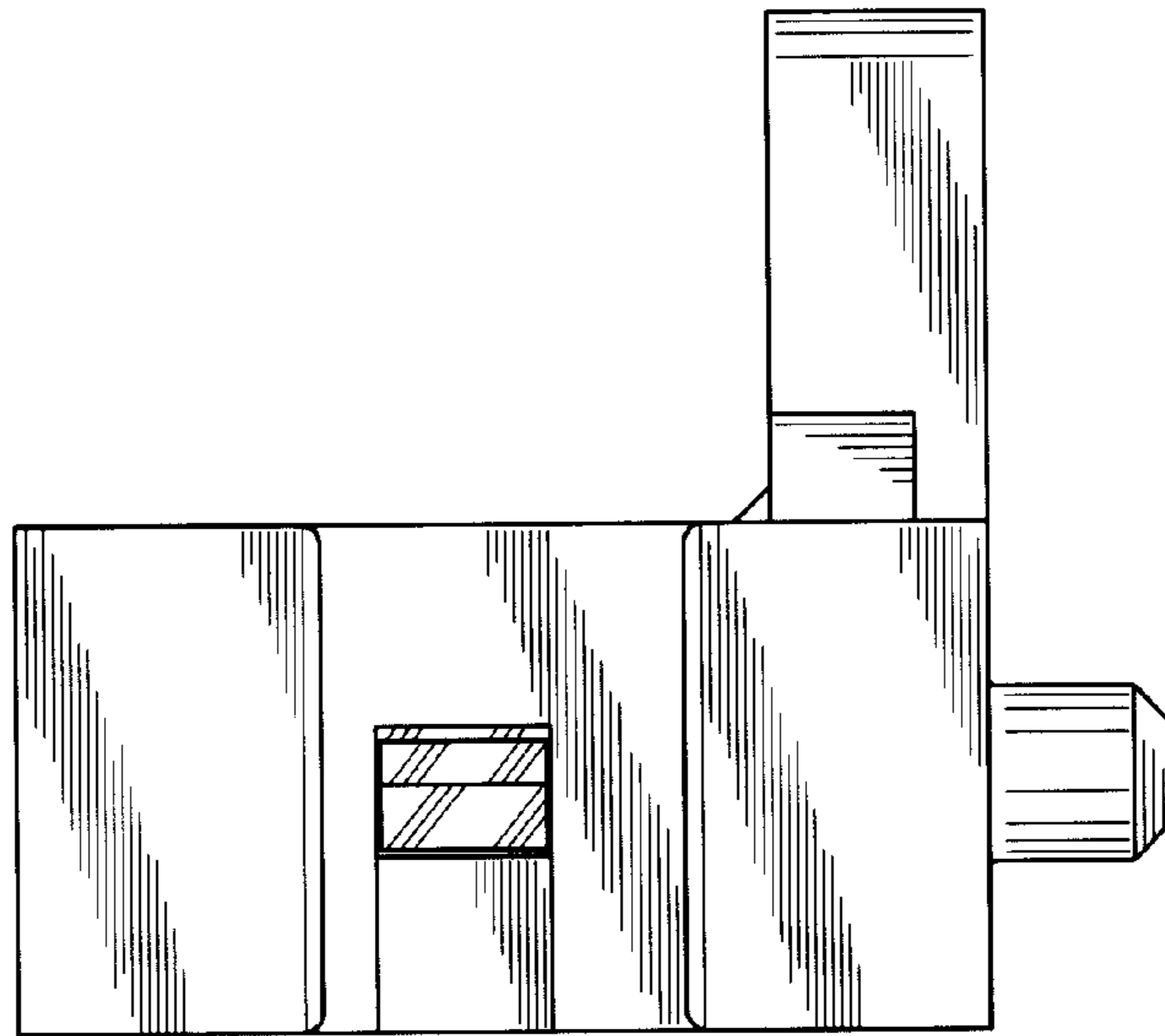


FIG. 4

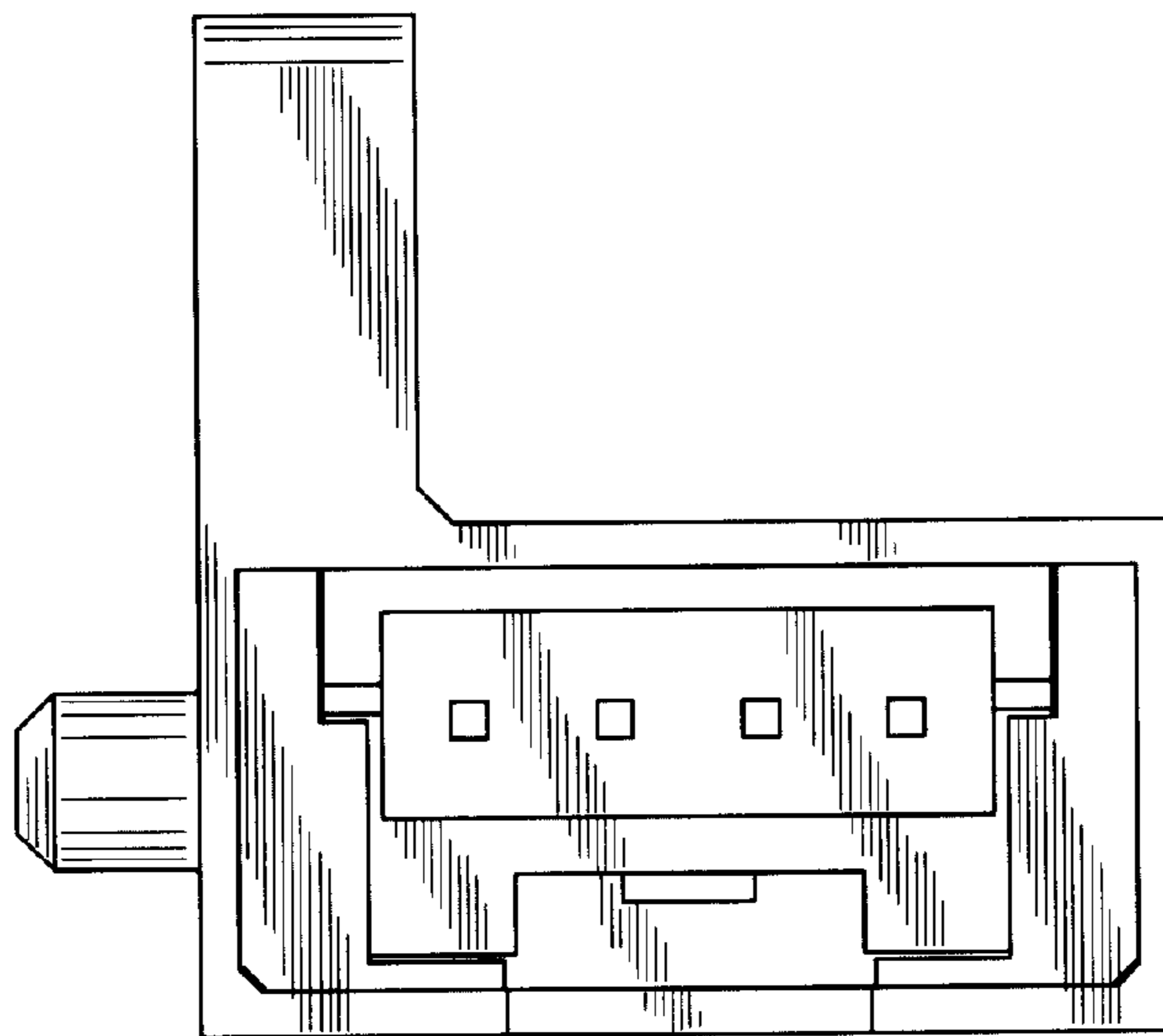


FIG. 5

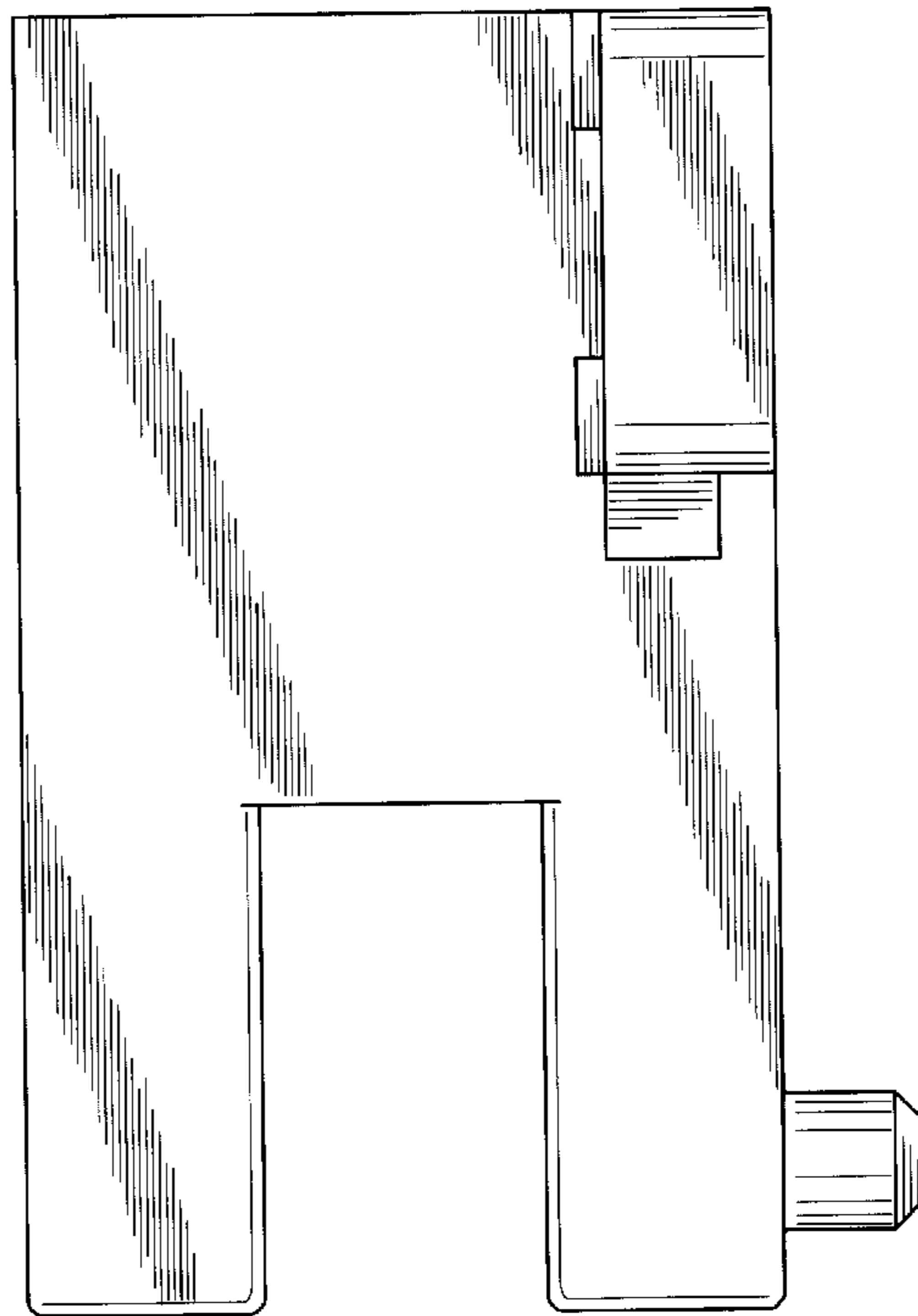


FIG. 6

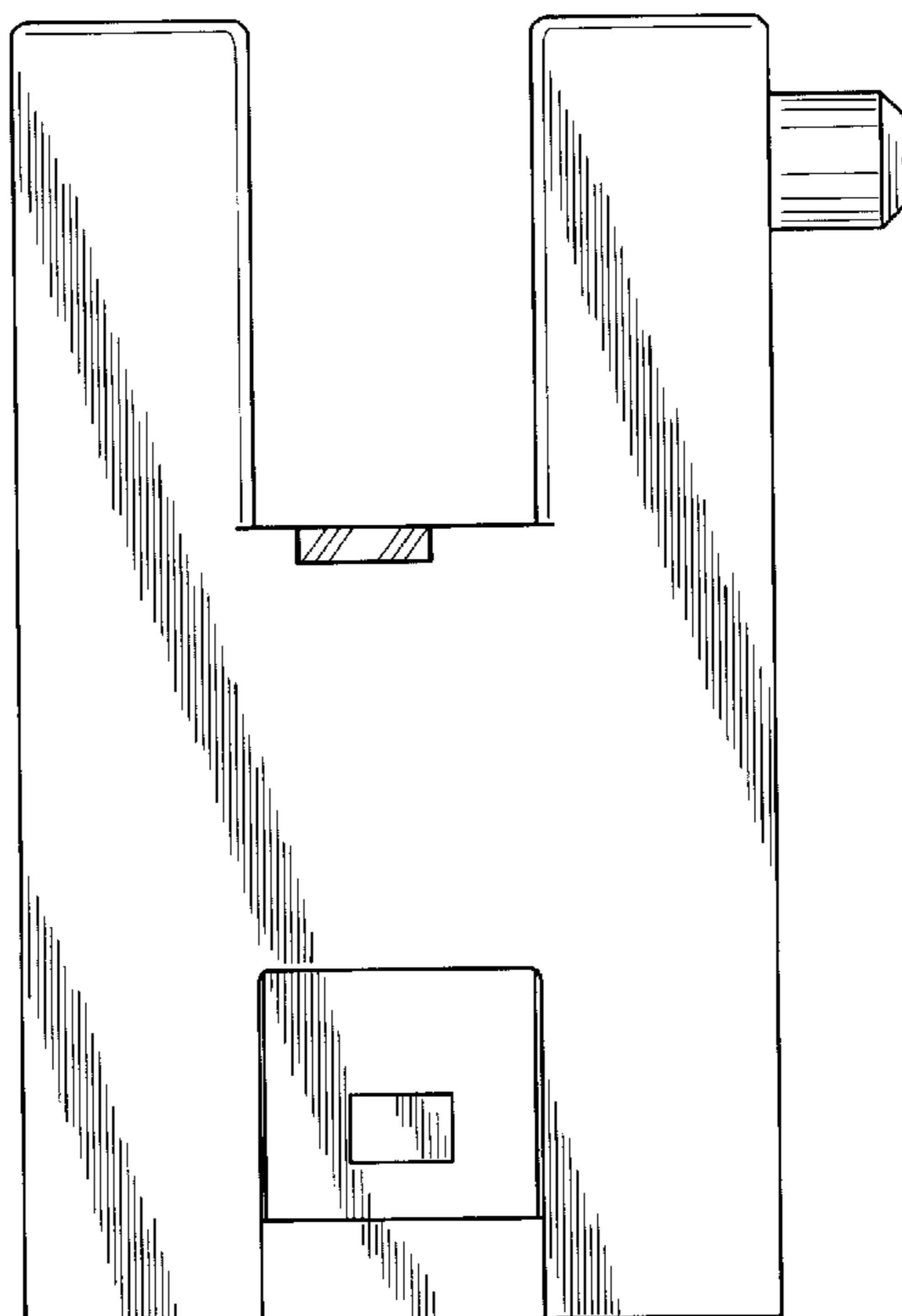


FIG. 7

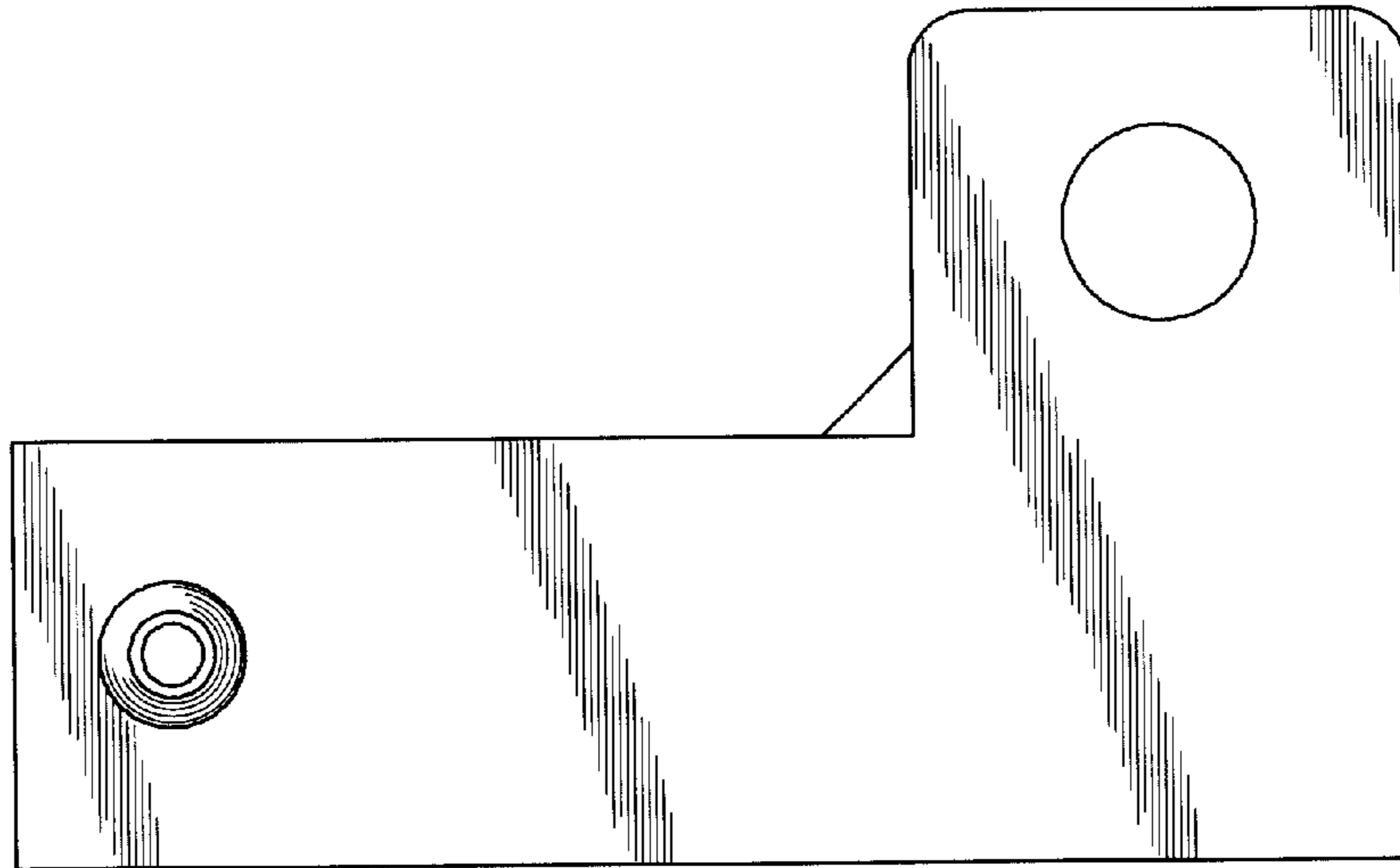


FIG. 8

