



US00D541687S

(12) **United States Design Patent**  
**Yorinaga**

(10) **Patent No.:** **US D541,687 S**

(45) **Date of Patent:** **\*\* May 1, 2007**

(54) **PHOTO SENSOR**

(75) Inventor: **Akikazu Yorinaga**, Kasugai (JP)

(73) Assignee: **Sunx Limited** (JP)

(\*\*) Term: **14 Years**

(21) Appl. No.: **29/257,130**

(22) Filed: **Mar. 30, 2006**

(30) **Foreign Application Priority Data**

Dec. 6, 2005 (JP) ..... 2005-036049

(51) **LOC (8) Cl.** ..... **10-05**

(52) **U.S. Cl.** ..... **D10/106**

(58) **Field of Classification Search** ..... D10/104,  
D10/106; 250/205, 206, 208.1, 214 LA, 214 PR,  
250/214 AL, 227.11, 227.14, 234, 559.11,  
250/559.12, 559.15, 559.16, 559.19, 559.38;  
340/541, 545.3, 551-552, 565, 567; 356/3.03,  
356/3.04, 4.01, 28, 218; 901/47

See application file for complete search history.

(56) **References Cited**

**U.S. PATENT DOCUMENTS**

- 3,973,685 A \* 8/1976 Loomer ..... 901/47
- D485,774 S \* 1/2004 Hwang et al. .... D10/106
- 2004/0001193 A1 \* 1/2004 Takaoka ..... 356/3.03
- 2004/0079871 A1 \* 4/2004 Oikawa et al. .... 250/234

2005/0082465 A1 \* 4/2005 Yamaguchi et al. .... 250/221

**FOREIGN PATENT DOCUMENTS**

JP 1031272 2/1999

**OTHER PUBLICATIONS**

Japanese Office Action dated Sep. 22, 2006 issued in corresponding Japanese Appln. No. 2005-036049.

\* cited by examiner

*Primary Examiner*—Antoine D. Davis

*Assistant Examiner*—Patricia Palasik

(74) *Attorney, Agent, or Firm*—Nixon & Vanderhye PC

(57) **CLAIM**

The ornamental design for a photo sensor, as shown and described.

**DESCRIPTION**

FIG. 1 is a rear perspective view of a photo sensor showing my new design;

FIG. 2 is a front perspective view thereof;

FIG. 3 is a front view thereof;

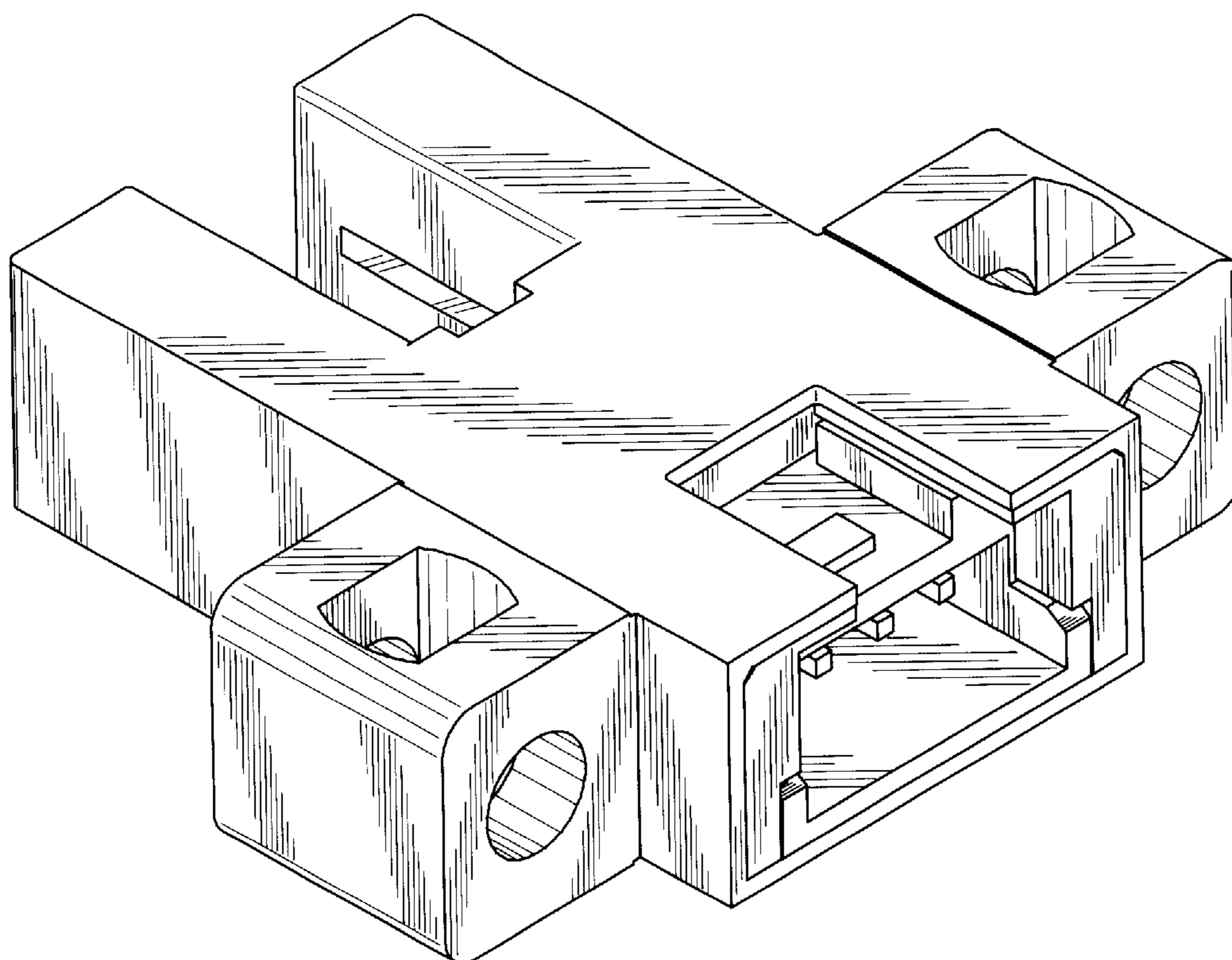
FIG. 4 is a rear view thereof;

FIG. 5 is a top plan view thereof;

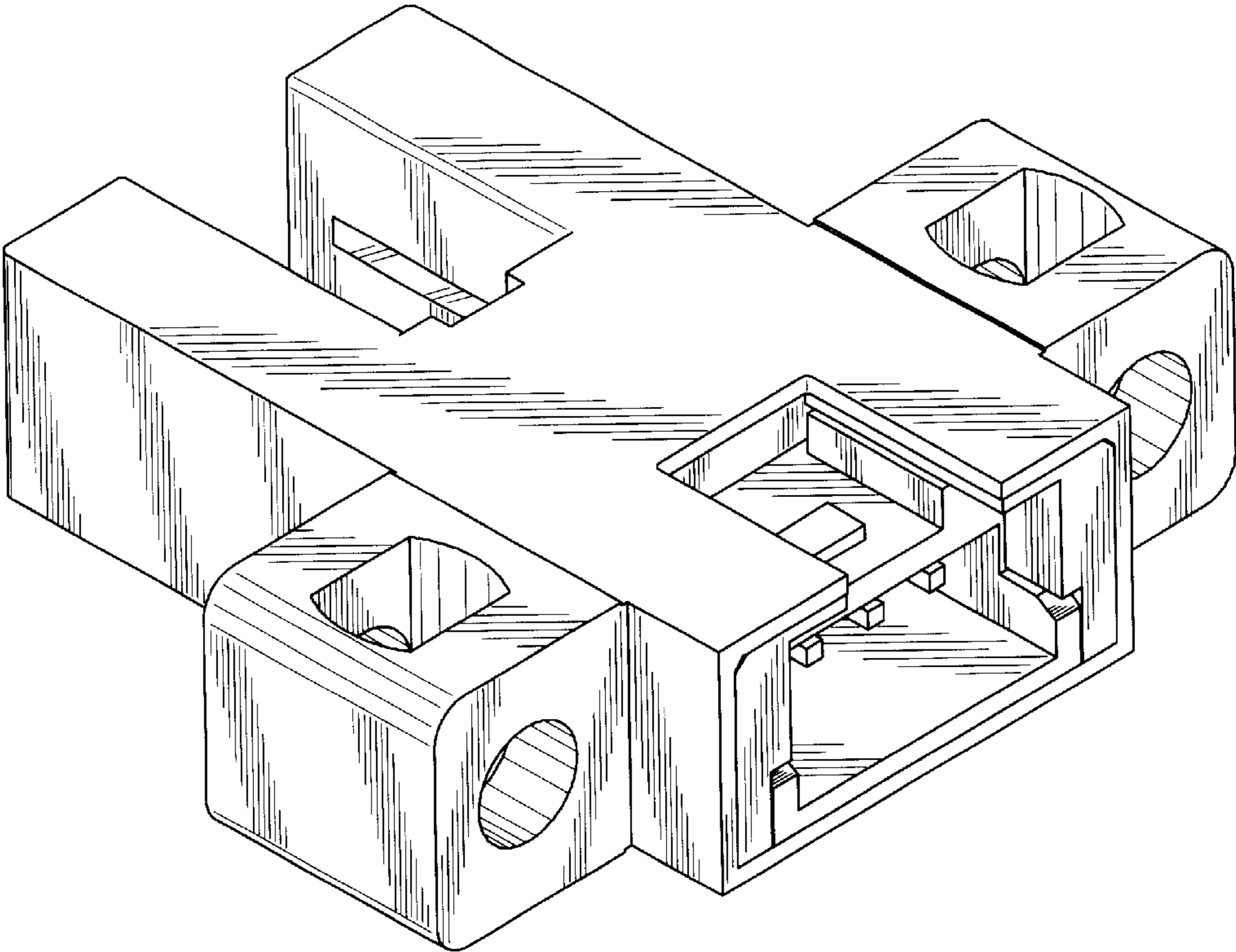
FIG. 6 is a bottom plan view thereof; and,

FIG. 7 is a right side elevational view thereof, the left side elevational view being a mirror image thereof.

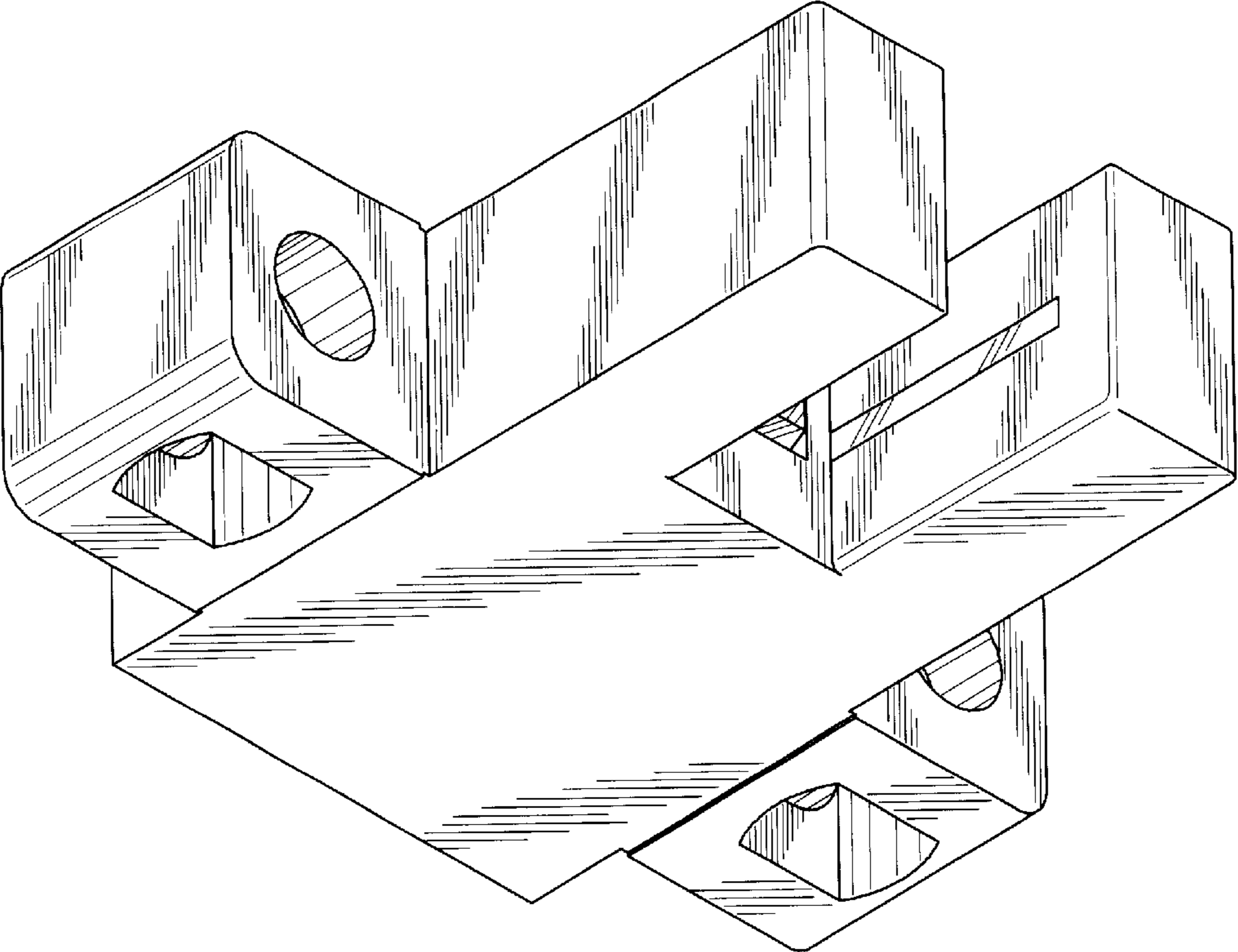
**1 Claim, 3 Drawing Sheets**



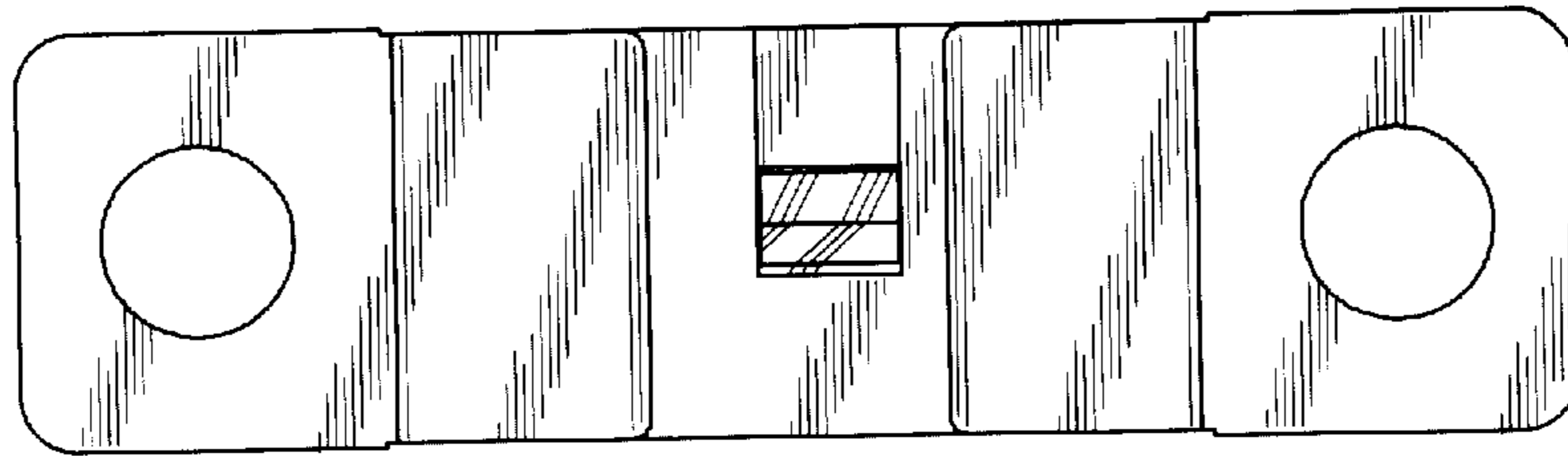
**FIG. 1**



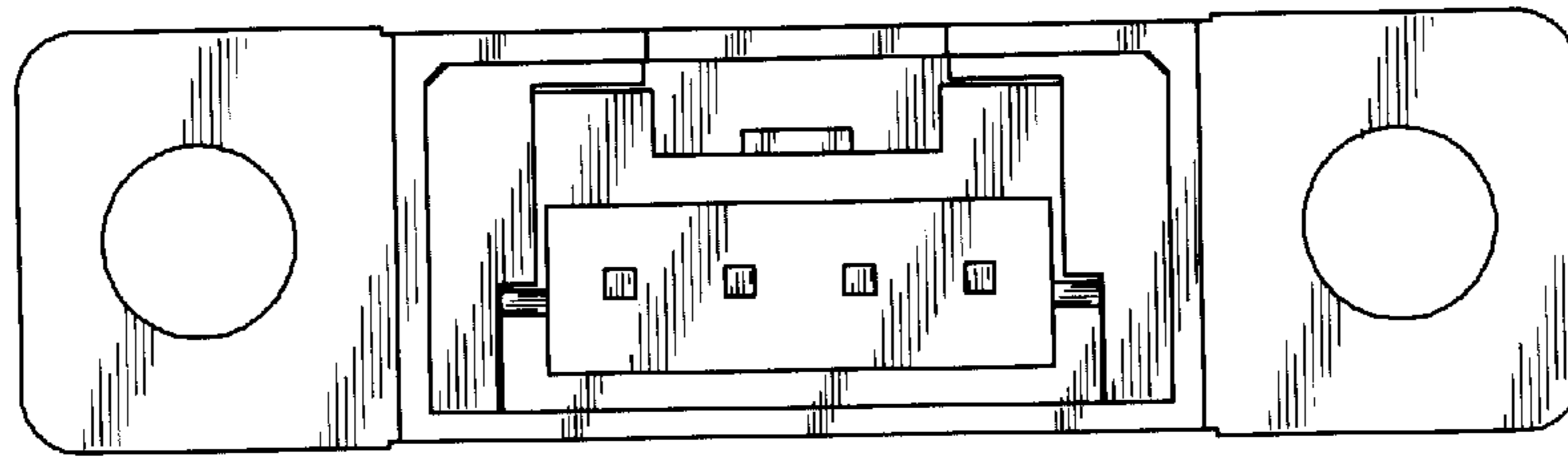
**FIG. 2**



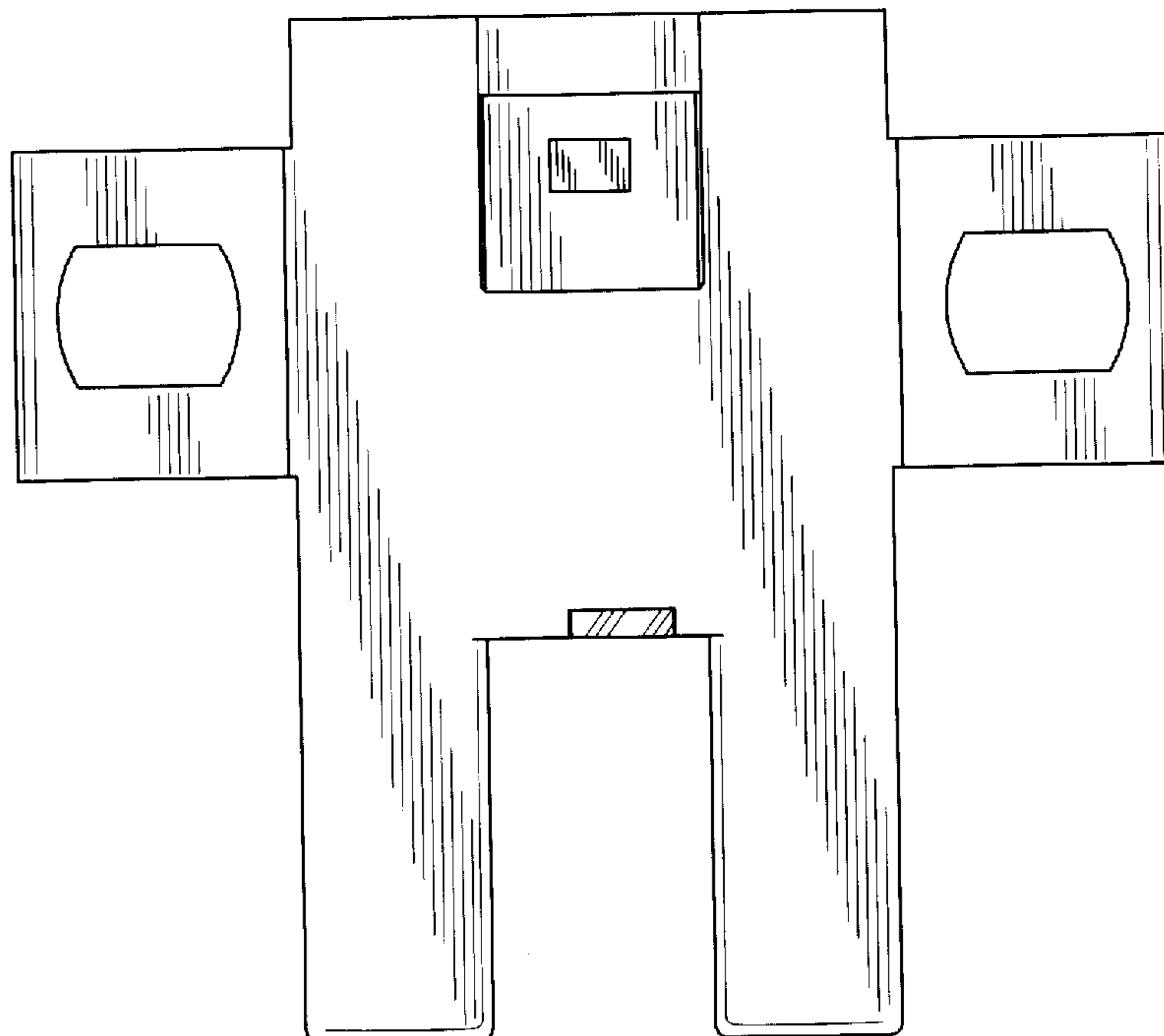
**FIG. 3**



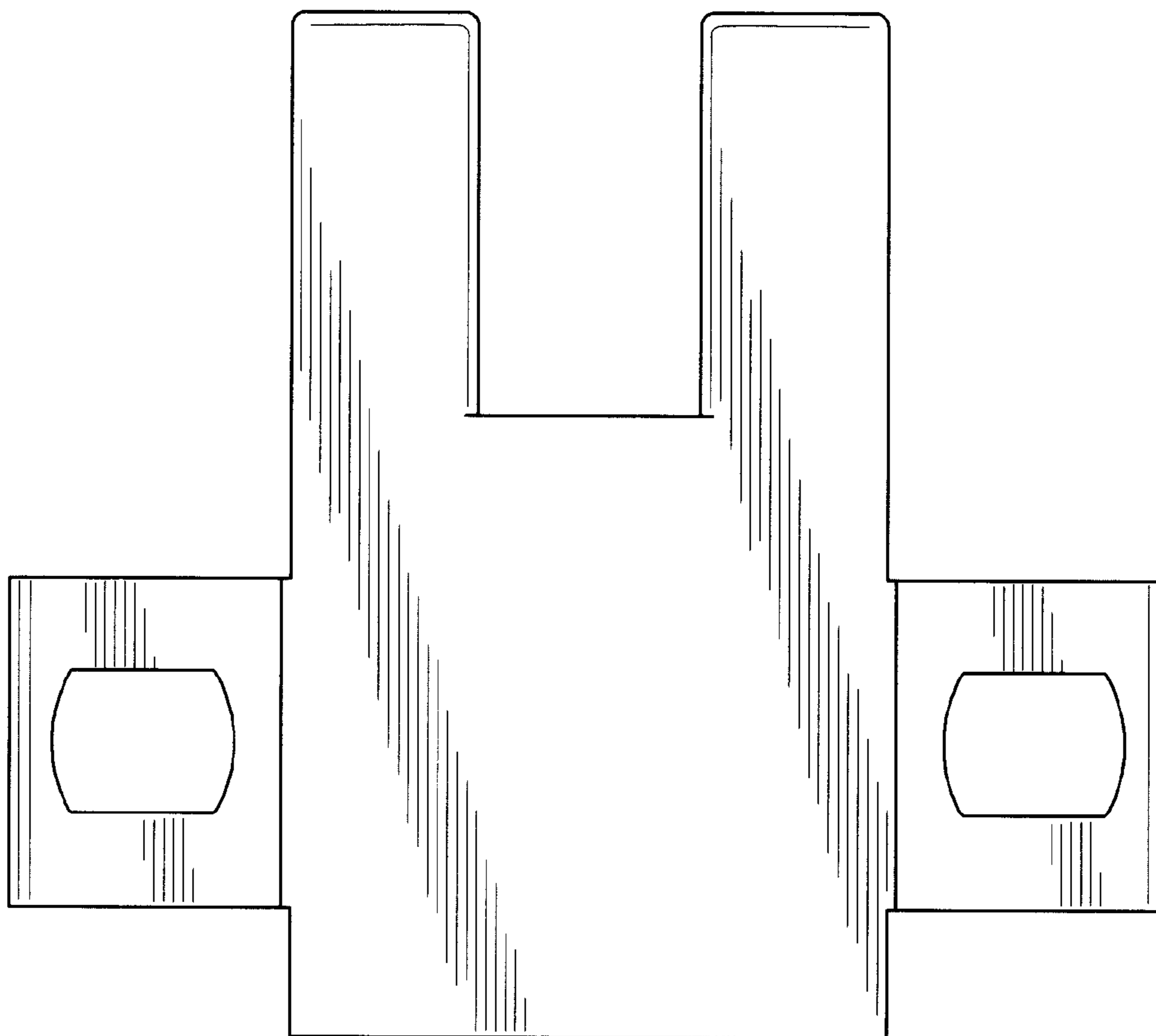
**FIG. 4**



**FIG. 5**



**FIG. 6**



**FIG. 7**

